



US00D433984S

**United States Patent** [19]  
**Zemlicka**

[11] **Patent Number: Des. 433,984**

[45] **Date of Patent: \*\* Nov. 21, 2000**

[54] **PORTION OF A MOTORCYCLE WHEEL**

[75] Inventor: **Alvin R. Zemlicka**, Elkhart Lake, Wis.

[73] Assignee: **Harley-Davidson Motor Company**, Milwaukee, Wis.

[\*\*] Term: **14 Years**

[21] Appl. No.: **29/092,894**

[22] Filed: **Aug. 28, 1998**

[51] **LOC (7) Cl.** ..... **12-16**

[52] **U.S. Cl.** ..... **D12/205**

[58] **Field of Search** ..... D12/204-213;  
301/64.1, 65, 37.1

[56] **References Cited**

**U.S. PATENT DOCUMENTS**

D. 225,626	12/1972	Davidson	.....	D12/205
D. 243,169	1/1977	Suzuki et al.	.....	D12/205
D. 246,172	10/1977	Campagnolo	.....	D12/205
D. 248,390	7/1978	Lester	.....	D12/205
D. 249,787	10/1978	Tanaka	.....	D12/205
D. 257,615	12/1980	Horikoshi	.....	D12/205
D. 258,129	2/1981	Horikoshi	.....	D12/205
D. 269,506	6/1983	Suzuki et al.	.....	D12/205
D. 412,691	8/1999	Sands	.....	D12/205

**OTHER PUBLICATIONS**

1994 Uniquely V-Twin Manufacturing Catalog—p. 491.  
1994 Custom Chrome Catalog—pps. 528, 531, and 532.  
1995 Genuine Parts & Accessories, Harley-Davidson, Inc.—p.108.

*Primary Examiner*—Stacia Cadmus  
*Attorney, Agent, or Firm*—Michael Best & Friedrich LLP

[57] **CLAIM**

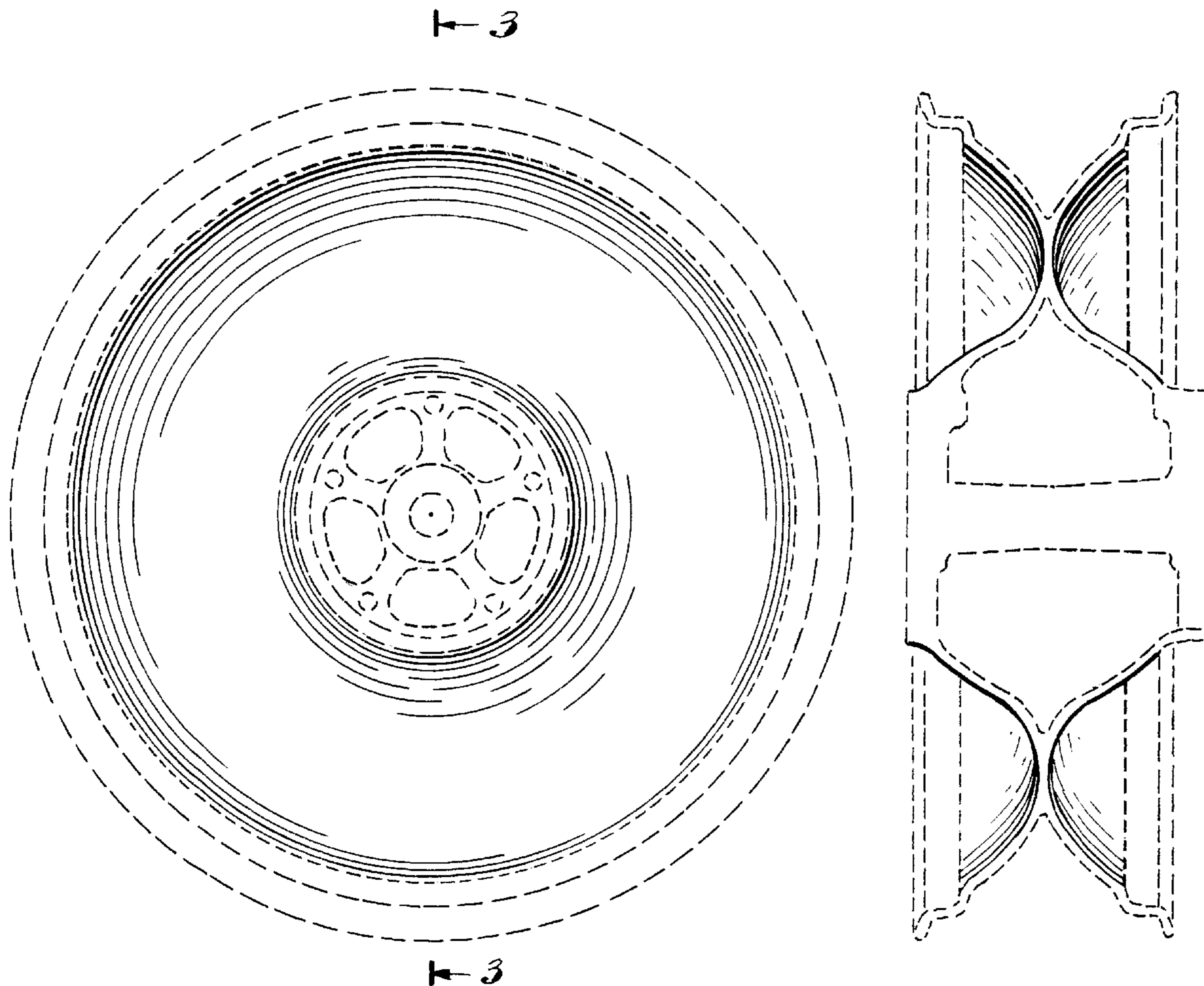
The ornamental design for a portion of a motorcycle wheel, as shown and described.

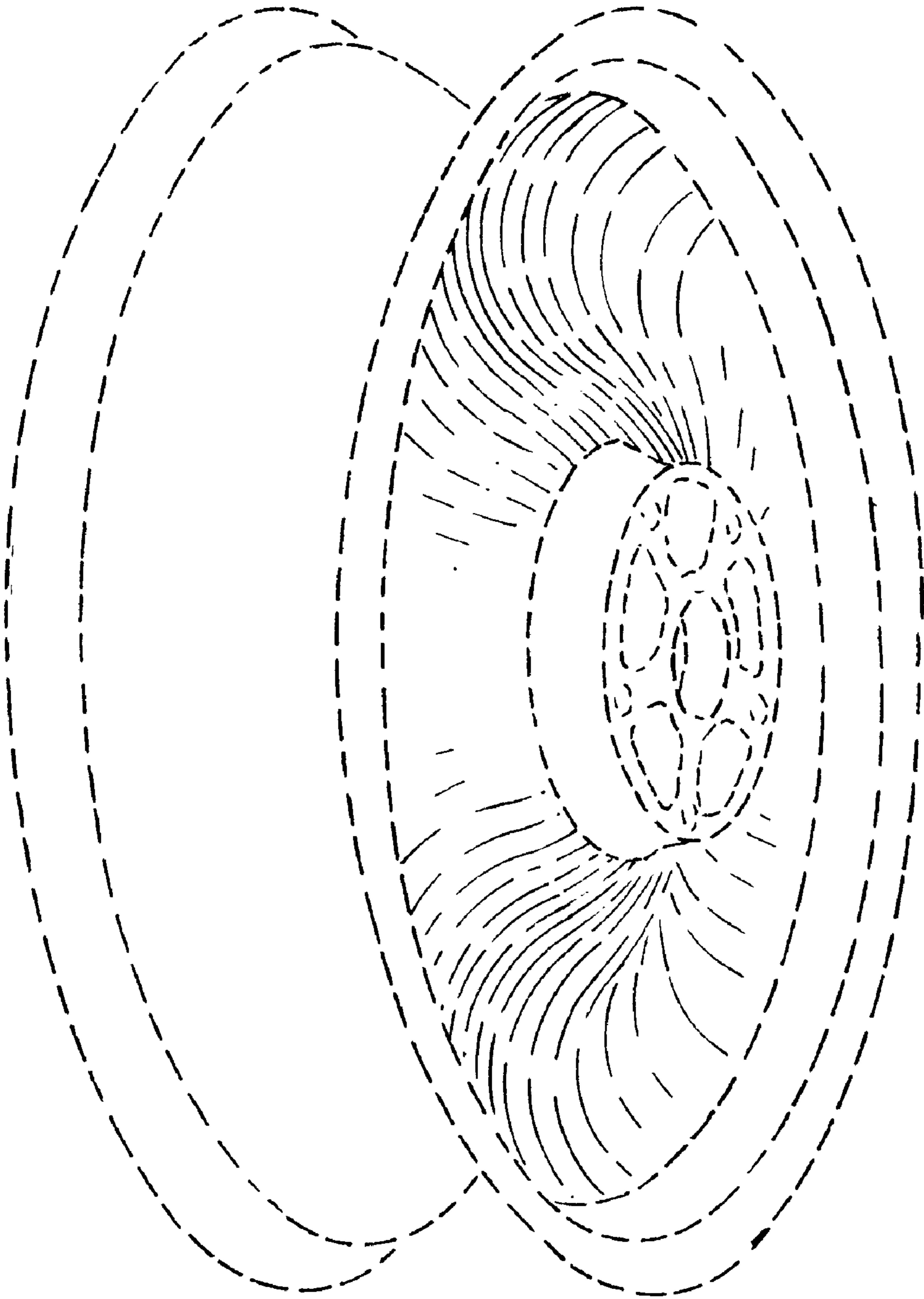
**DESCRIPTION**

FIG. 1 is a perspective view of a motorcycle wheel showing my new design;  
FIG. 2 is a left side elevational view thereof, the right side view being a mirror image of that shown; and,  
FIG. 3 is a cross sectional view taken along line 3—3 in FIG. 2.

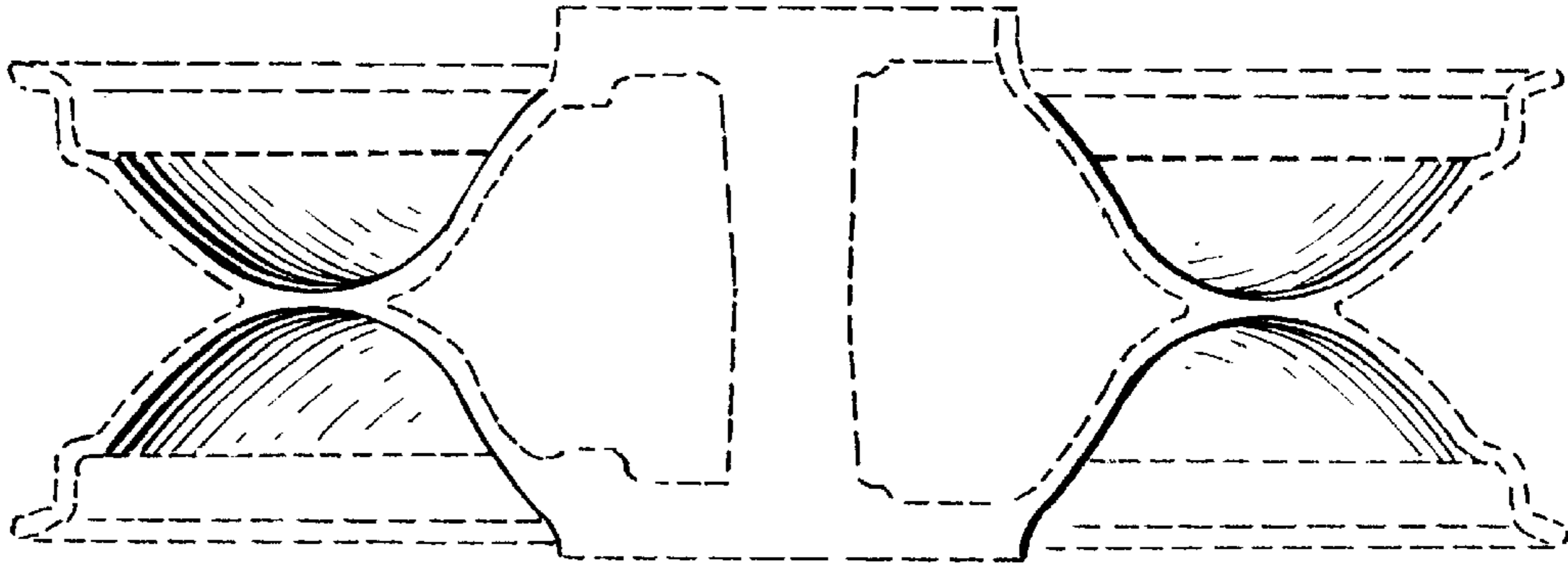
The present application is directed to the design illustrated in the drawings. Other features of the drawings that are not considered part of the design sought to be patented are shown in broken lines. The broken lines that define the boundaries of the claimed design form no part thereof. The side opposite that shown in FIG. 1 is a mirror image of FIG. 1.

**1 Claim, 2 Drawing Sheets**

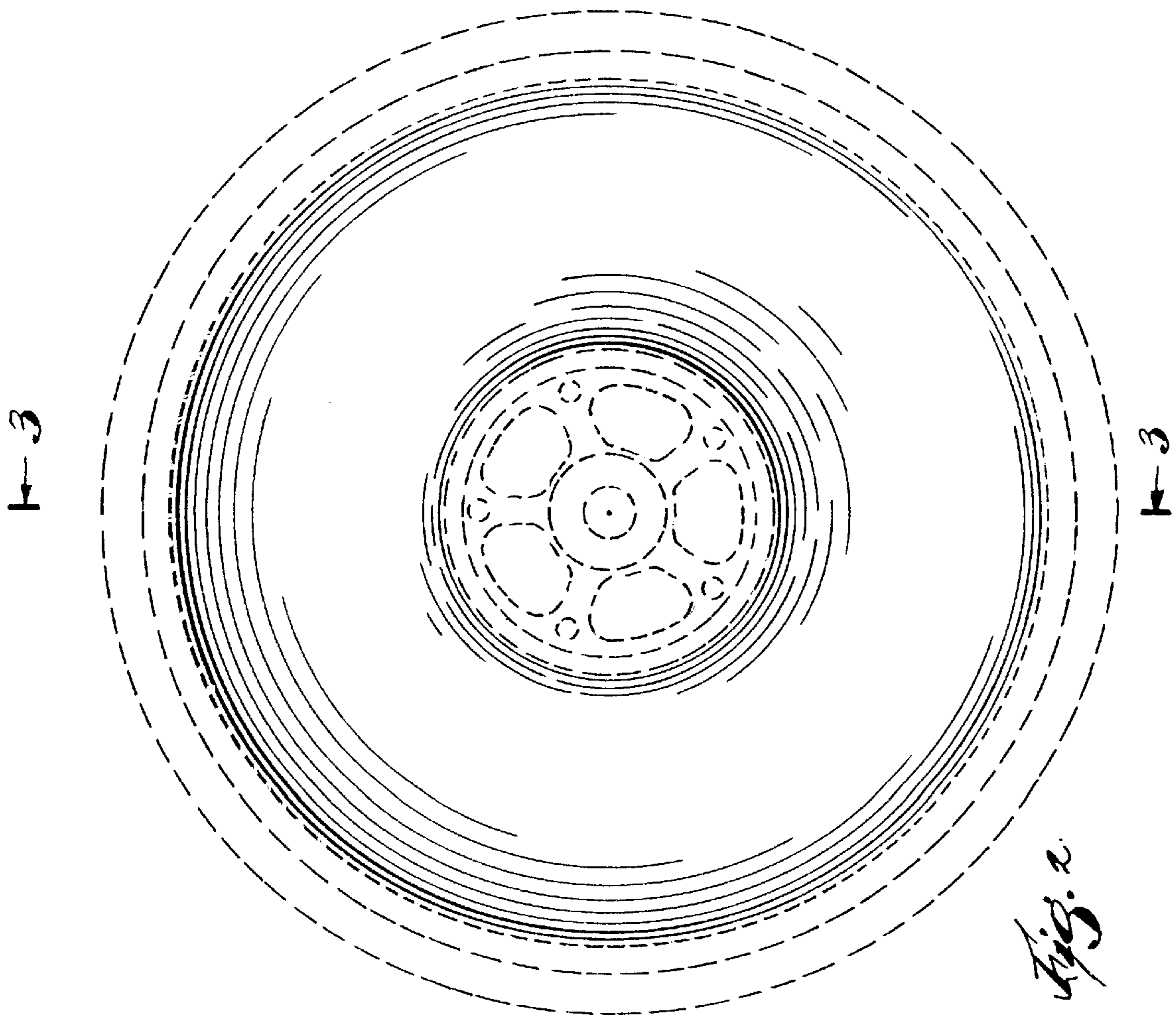




*Fig. 1*



*Fig. 3*



*Fig. 2*