



US00D433981S

# United States Patent [19]

[11] **Patent Number: Des. 433,981**

**Davis et al.**

[45] **Date of Patent: \*\* Nov. 21, 2000**

[54] **EXTERIOR SURFACE CONFIGURATION OF A FAIRING FOR A TRUCK SLEEPER**

*Attorney, Agent, or Firm—Sidley & Austin*

[75] Inventors: **Derek L. Davis**, Denton; **Louis D. Heilaneh**, Lewisville; **Bryan R. Besler-Bergero**, Denton, all of Tex.

[57] **CLAIM**

The ornamental design for an exterior surface configuration of a fairing for a truck sleeper, as shown and described.

[73] Assignee: **Paccar Inc.**, Bellevue, Wash.

**DESCRIPTION**

[\*\*] Term: **14 Years**

FIG. 1 is a perspective view from the front right of a exterior surface configuration of a fairing for a truck sleeper showing a first embodiment of our new design;

[21] Appl. No.: **29/116,968**

FIG. 2 is a perspective view from the front left thereof;

[22] Filed: **Jan. 13, 2000**

FIG. 3 is a front view thereof;

[51] **LOC (7) Cl.** ..... **12-16**

FIG. 4 is a right side view thereof;

[52] **U.S. Cl.** ..... **D12/196**

FIG. 5 is a left side view thereof;

[58] **Field of Search** ..... D12/196, 93, 96, D12/97, 98; 296/183, 190, 89.1, 89.11, 89.12

FIG. 6 is a bottom view thereof;

FIG. 7 is a top view thereof;

FIG. 8 is a perspective view from the front left of an exterior surface configuration of a fairing for a truck sleeper showing a second embodiment of our new design, which is identical to that shown in FIGS. 1–7, except it is mirror symmetrical; and,

[56] **References Cited**

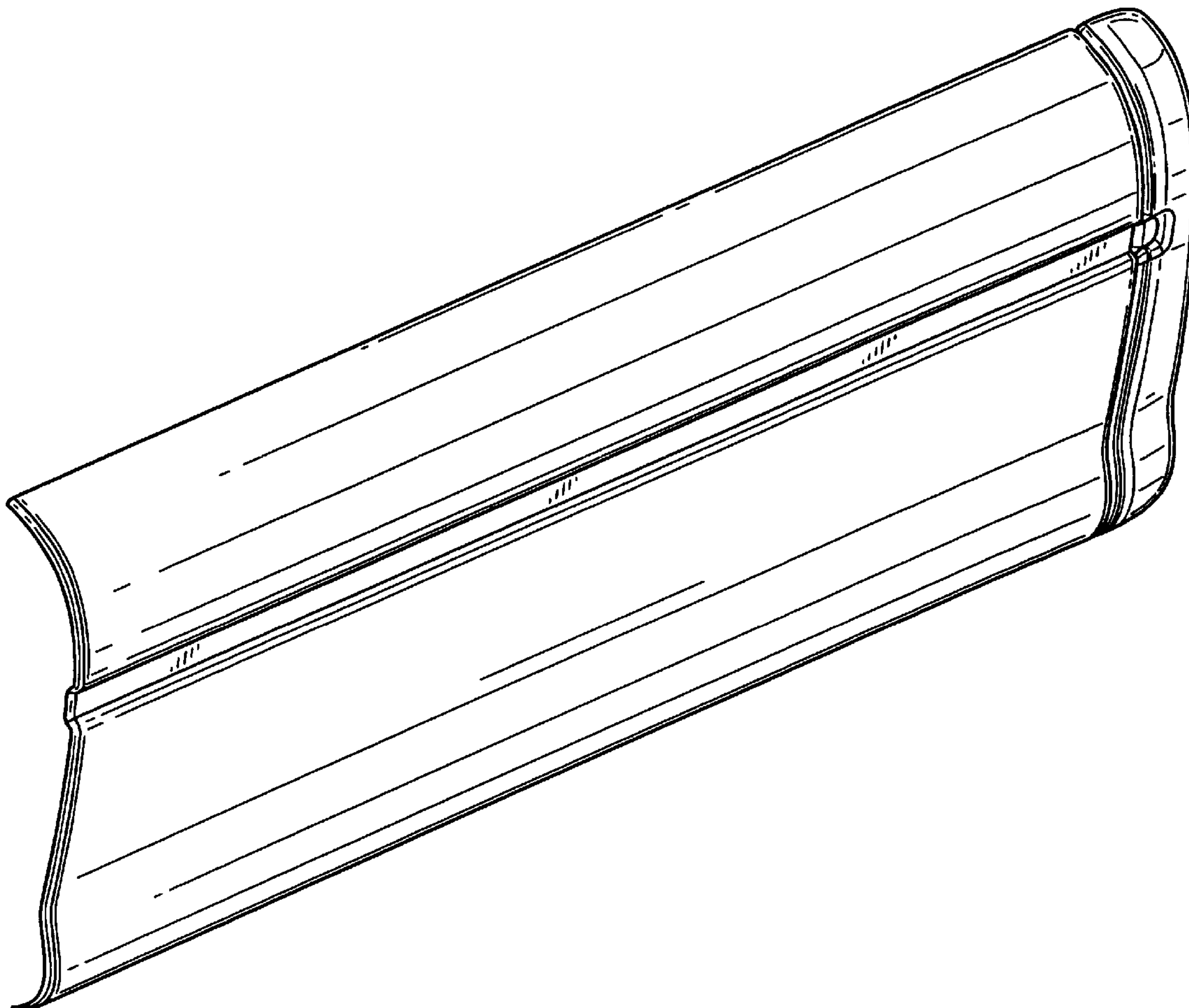
**U.S. PATENT DOCUMENTS**

D. 422,957	4/2000	Damon et al.	.....	D12/196
D. 423,990	5/2000	Meryman et al.	.....	D12/196
D. 424,495	5/2000	Damon et al.	.....	D12/196

FIG. 9 is a perspective view from the front right of FIG. 8. The rear portions shown in broken lines are for illustrative purposes only and form no part of the claimed design.

*Primary Examiner—Melody N. Brown*

**1 Claim, 7 Drawing Sheets**



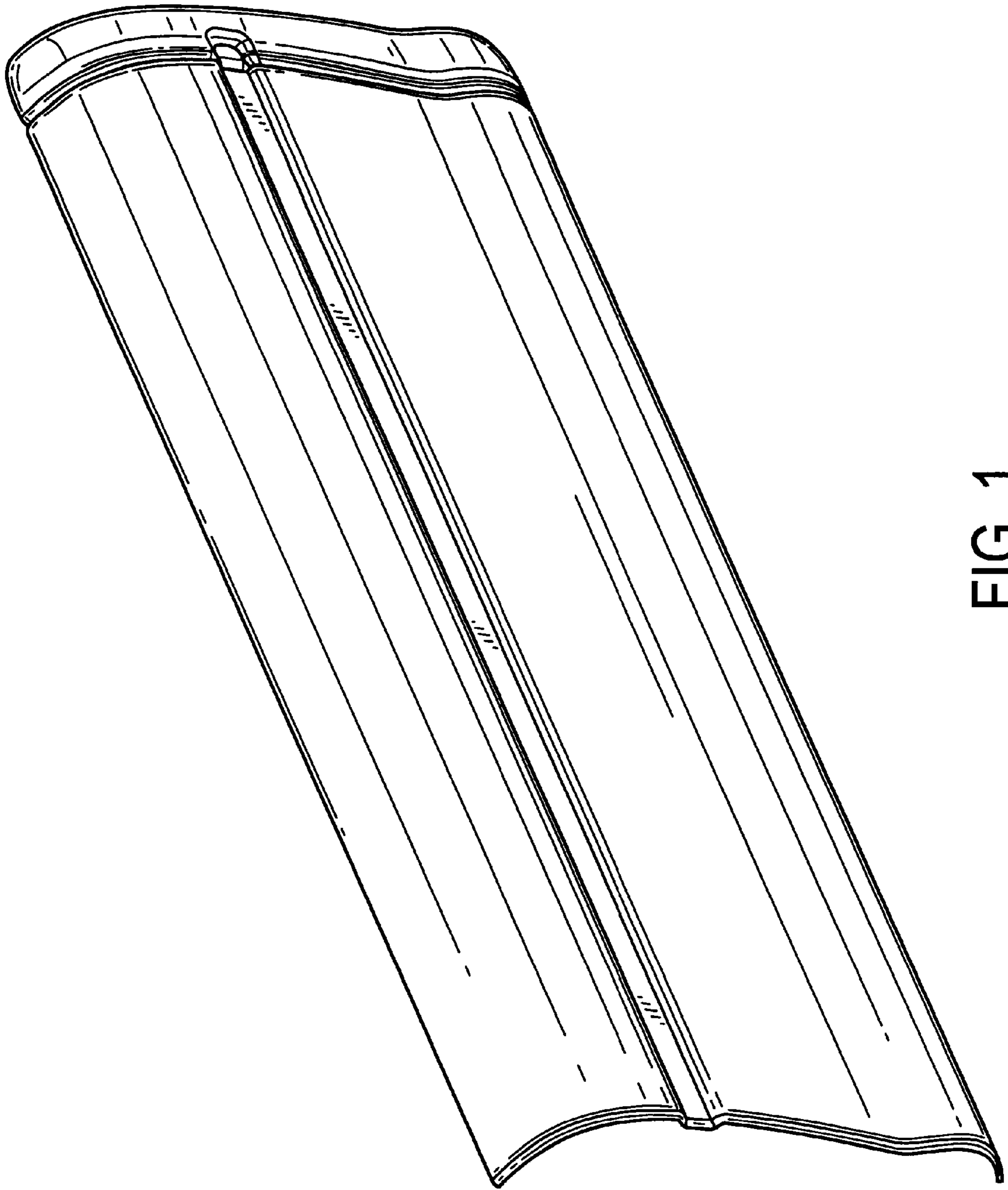


FIG. 1

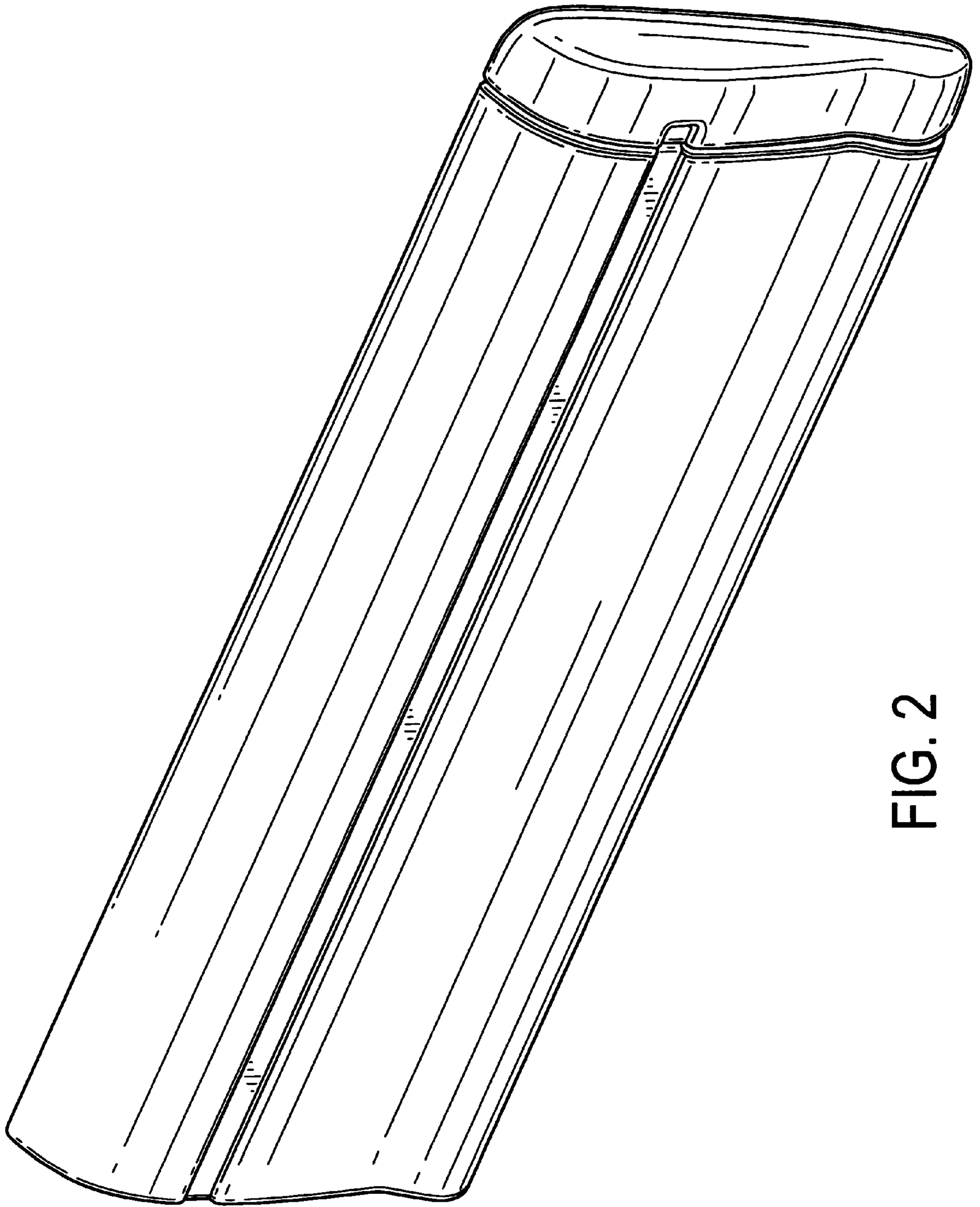


FIG. 2

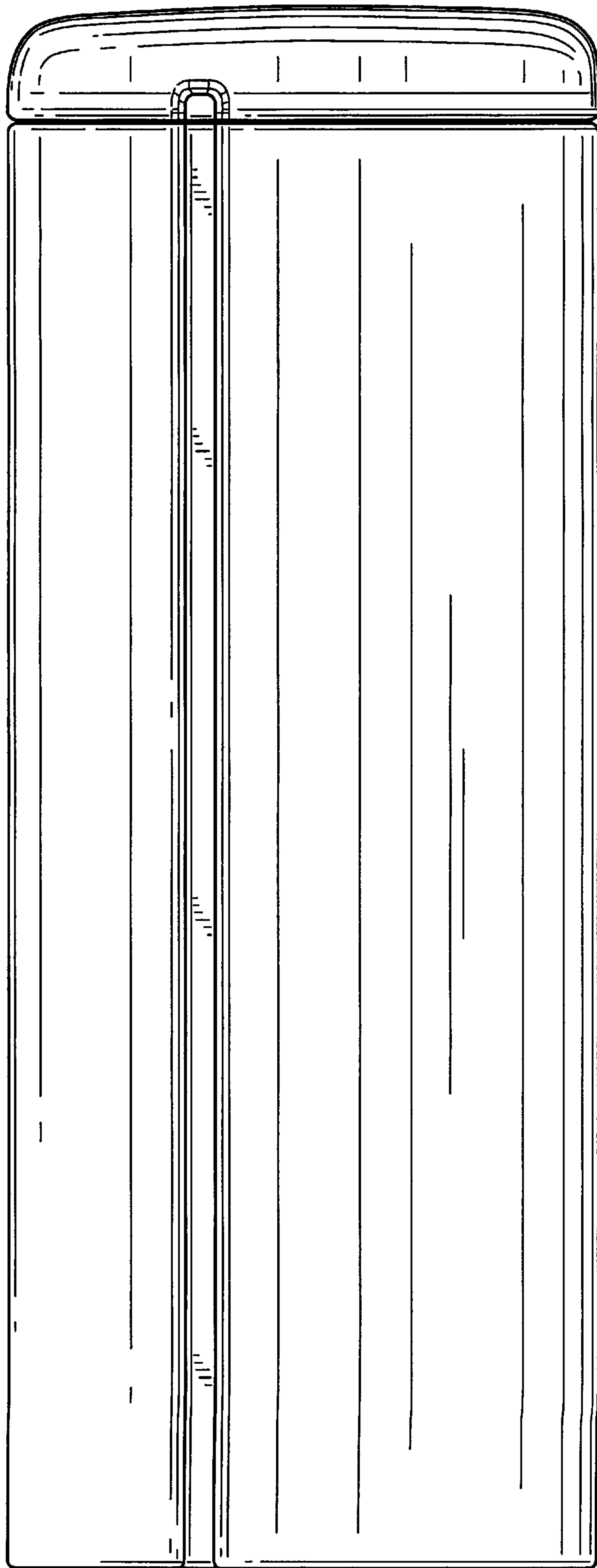


FIG. 3

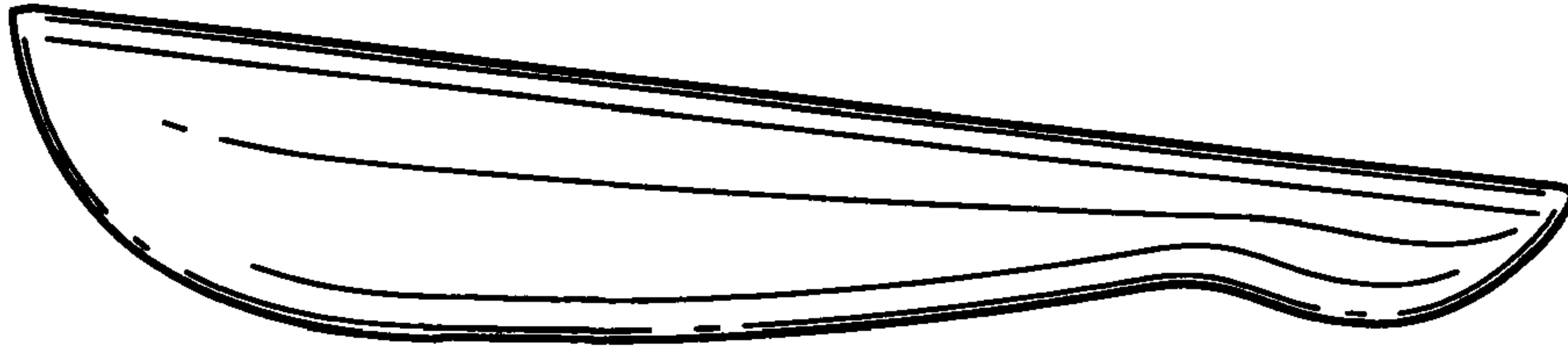


FIG. 5

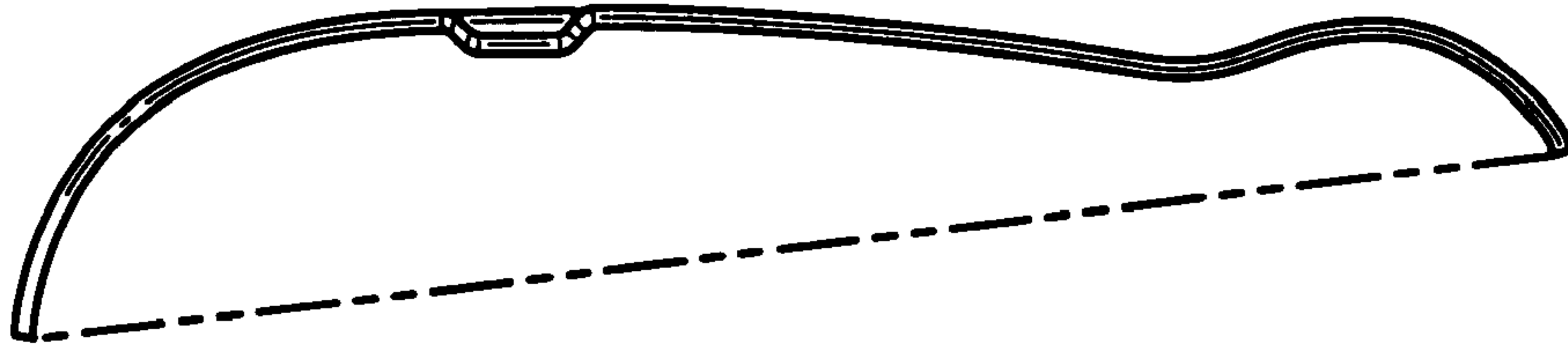


FIG. 4



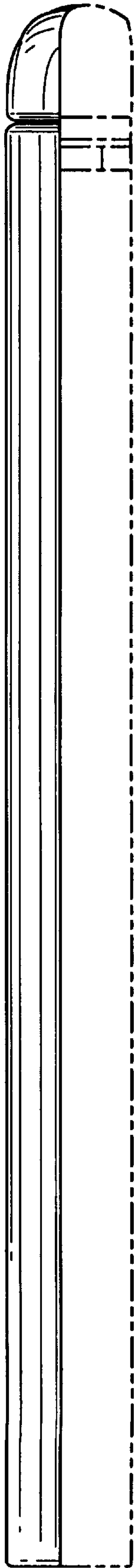


FIG. 6

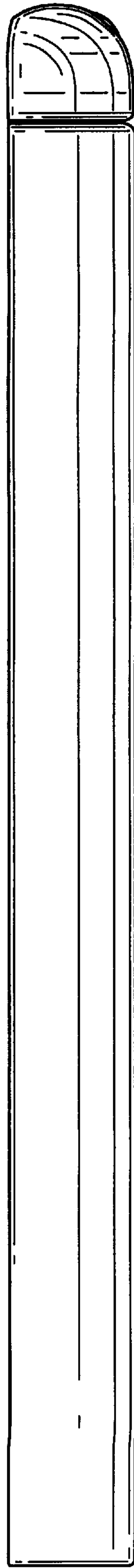


FIG. 7

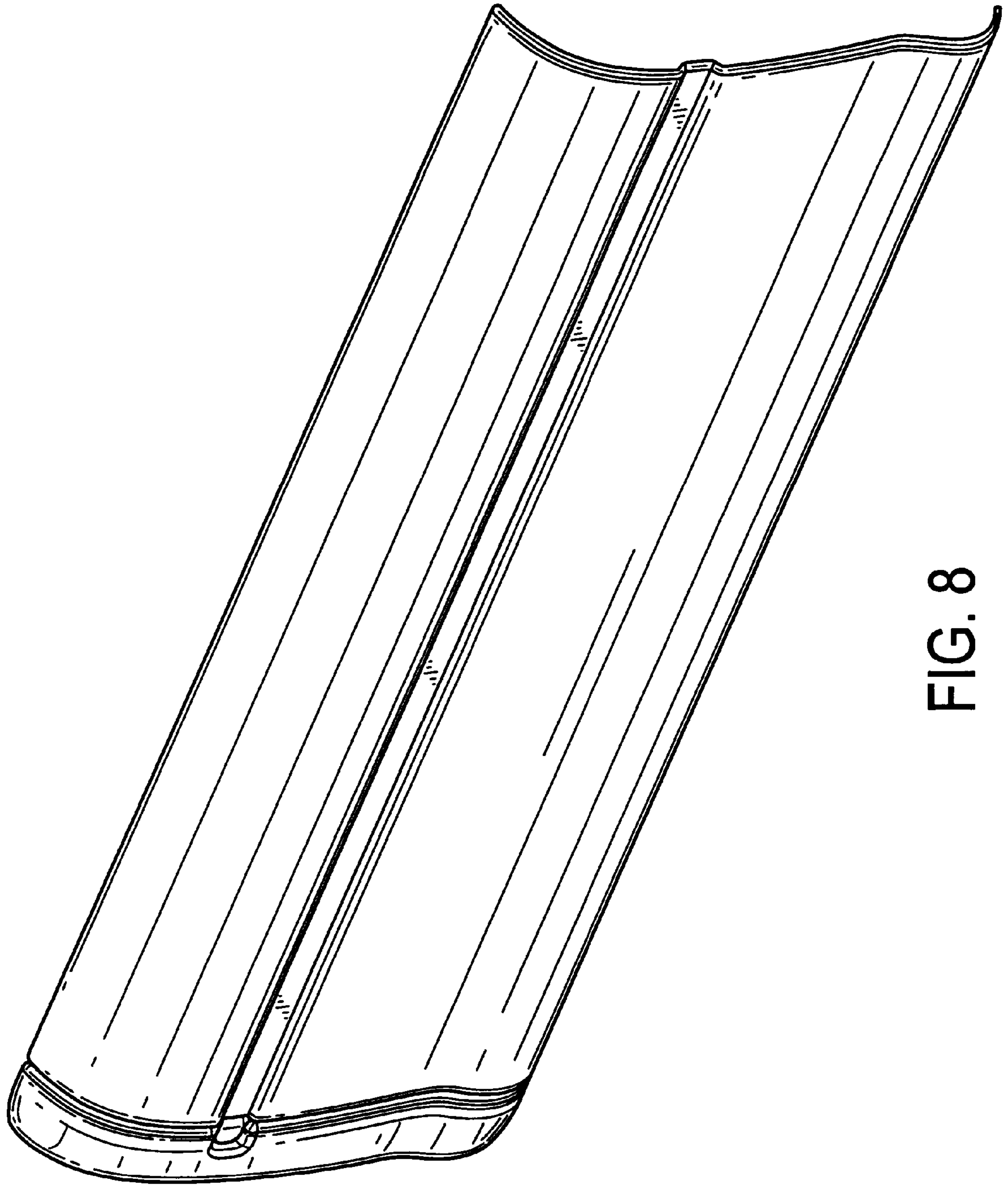


FIG. 8

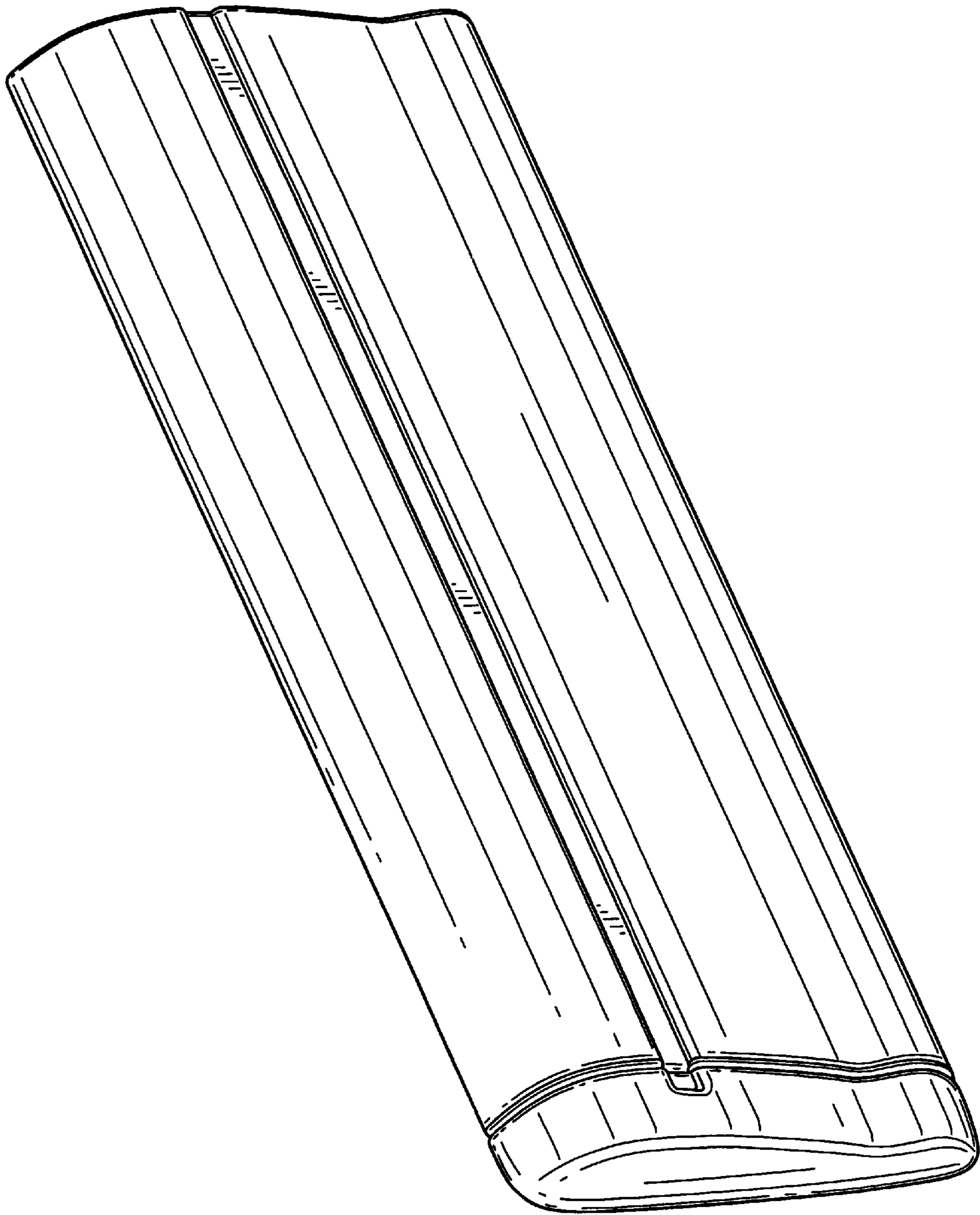


FIG. 9