



US00D433970S

United States Patent [19] McCoy et al.

[11] Patent Number: Des. 433,970

[45] Date of Patent: ** Nov. 21, 2000

[54] HITCH COVER

[75] Inventors: **Richard W. McCoy**, Granger; **Thomas W. Lindenman**, South Bend, both of Ind.

[73] Assignee: **Reese Products, Inc.**, Elkhart, Ind.

[**] Term: **14 Years**

[21] Appl. No.: **29/113,163**

[22] Filed: **Oct. 29, 1999**

[51] LOC (7) Cl. **12-16**

[52] U.S. Cl. **D12/162**

[58] Field of Search D12/162, 172, D12/203, 400, 406, 408-414.1; D3/23, 38; 224/917.5, 917, 488, 504-506, 518-519, 521-530, 42.43-42.44, 42.07-42.08, 924; 280/186, 163-166, 30, 39, 769, 491.2, 415.1, 47.34, 402, 507, 476.1, 456.1, 423.1, 416.1, 420, 493, 495, 511, 504; 296/37.1, 37.2

[56] **References Cited**

U.S. PATENT DOCUMENTS

D. 327,043	6/1992	Ott et al.	D12/406
D. 343,151	1/1994	Eckhart	D12/406
D. 352,925	11/1994	Eckhart	D12/406
D. 369,996	5/1996	Wylie	D12/162
D. 373,557	9/1996	Shaw et al.	D12/162
D. 379,343	5/1997	Shaw et al.	D12/162
D. 401,195	11/1998	Chimenti	D12/162

D. 404,348	1/1999	Hohnholt	D12/162
4,856,686	8/1989	Workentine	224/917.5 X
4,906,015	3/1990	Lacroix et al.	280/415.1
5,096,102	3/1992	Tolson	224/917.5
5,181,822	1/1993	Allsop et al.	224/917 X
5,330,312	7/1994	Allsop et al.	224/917.5
5,443,189	8/1995	Hirschfield	224/501
5,445,300	8/1995	Eipper et al.	224/496
5,449,101	9/1995	Van Dusen	224/506
5,454,496	10/1995	Sumida et al.	224/509
5,593,076	1/1997	Biondo	224/488
5,803,330	9/1998	Stack et al.	224/518
5,862,966	1/1999	Mehls	224/504
6,010,049	1/2000	Stein	224/485

Primary Examiner—Stacia Cadmus

Attorney, Agent, or Firm—Leon E. Redman; Lloyd D. Doigan

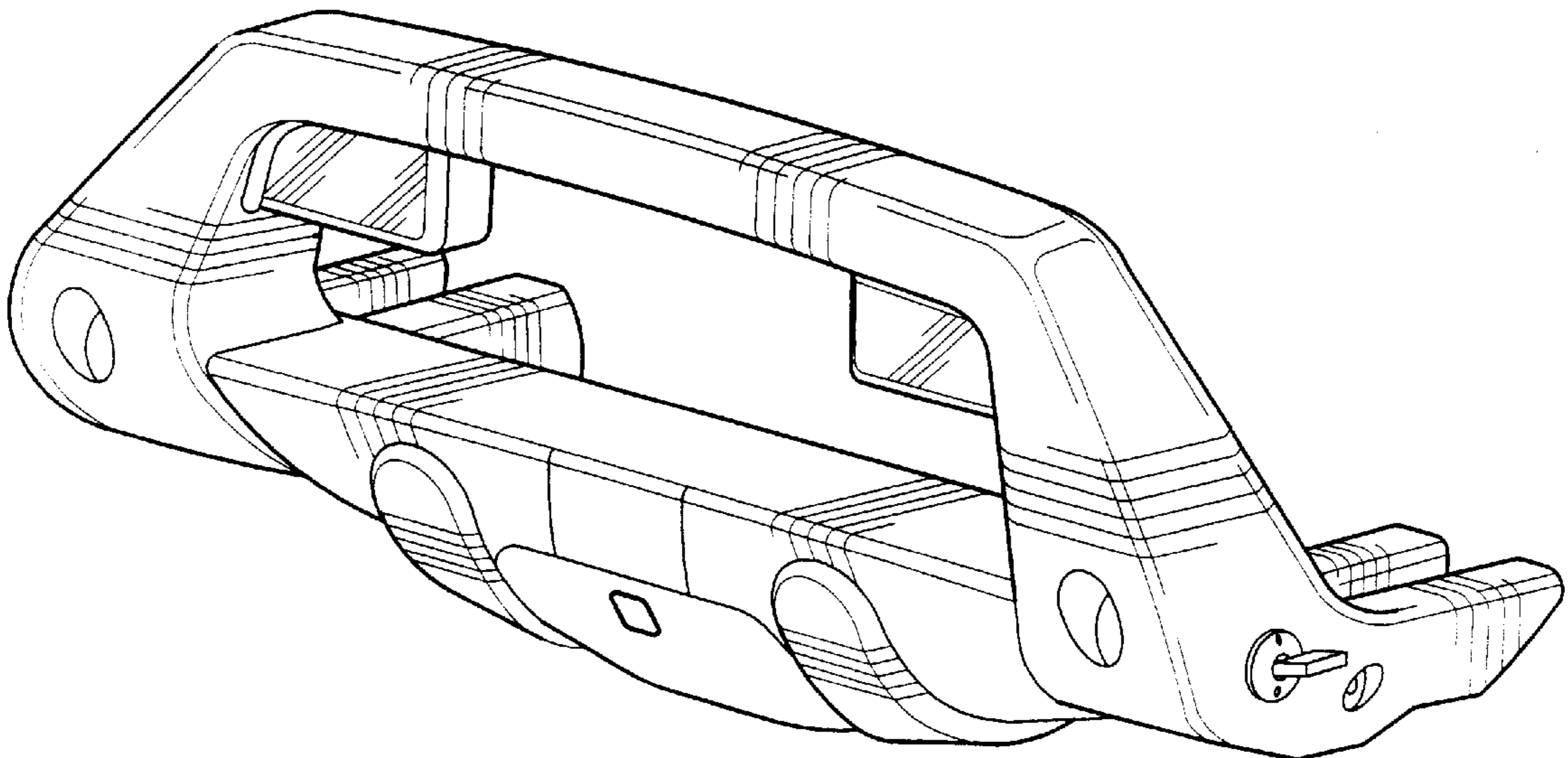
[57] **CLAIM**

The ornamental design for a hitch cover, as shown and described.

DESCRIPTION

FIG. 1 is a perspective view of a hitch cover showing our new design;
FIG. 2 is a top plan view thereof;
FIG. 3 is a rear elevational view thereof;
FIG. 4 is a bottom plan view thereof;
FIG. 5 is a left side view thereof, it being understood that the right side is a mirror image thereof; and,
FIG. 6 is a front elevational view thereof.

1 Claim, 2 Drawing Sheets



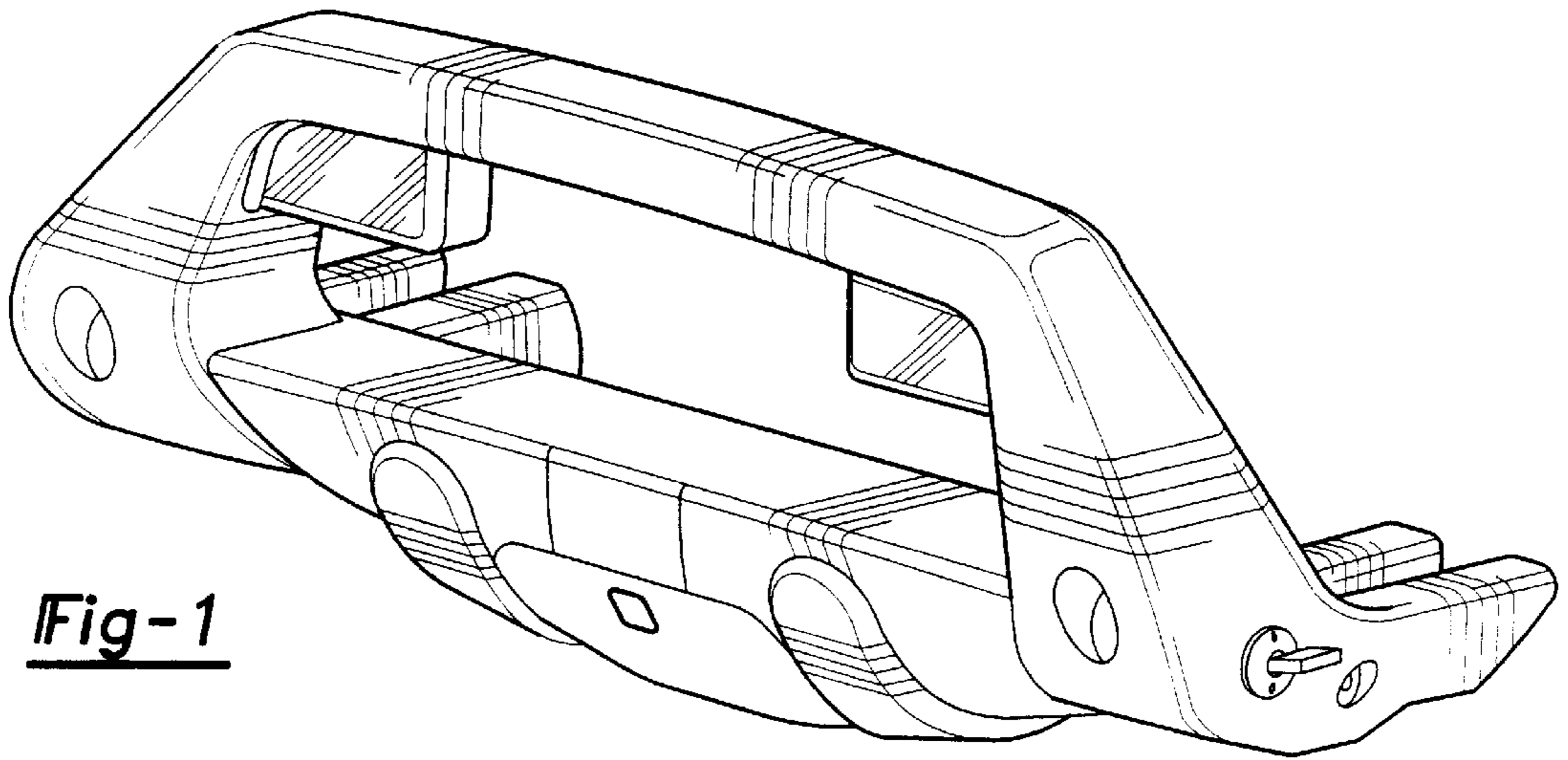


Fig-1

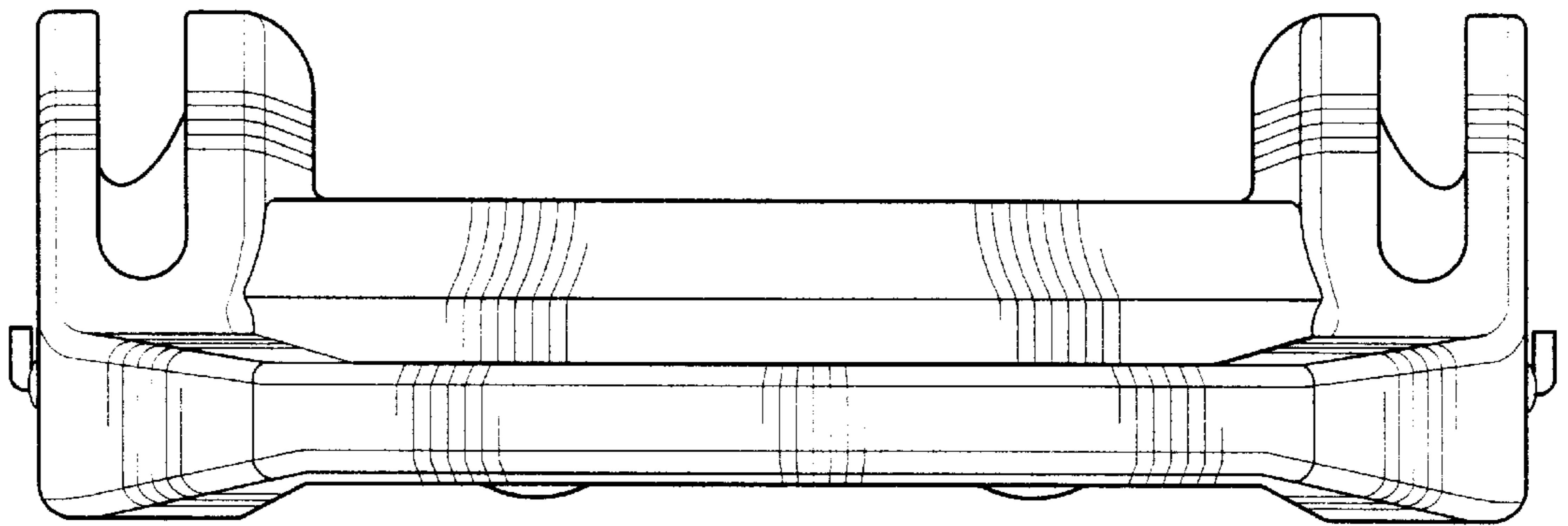


Fig-2

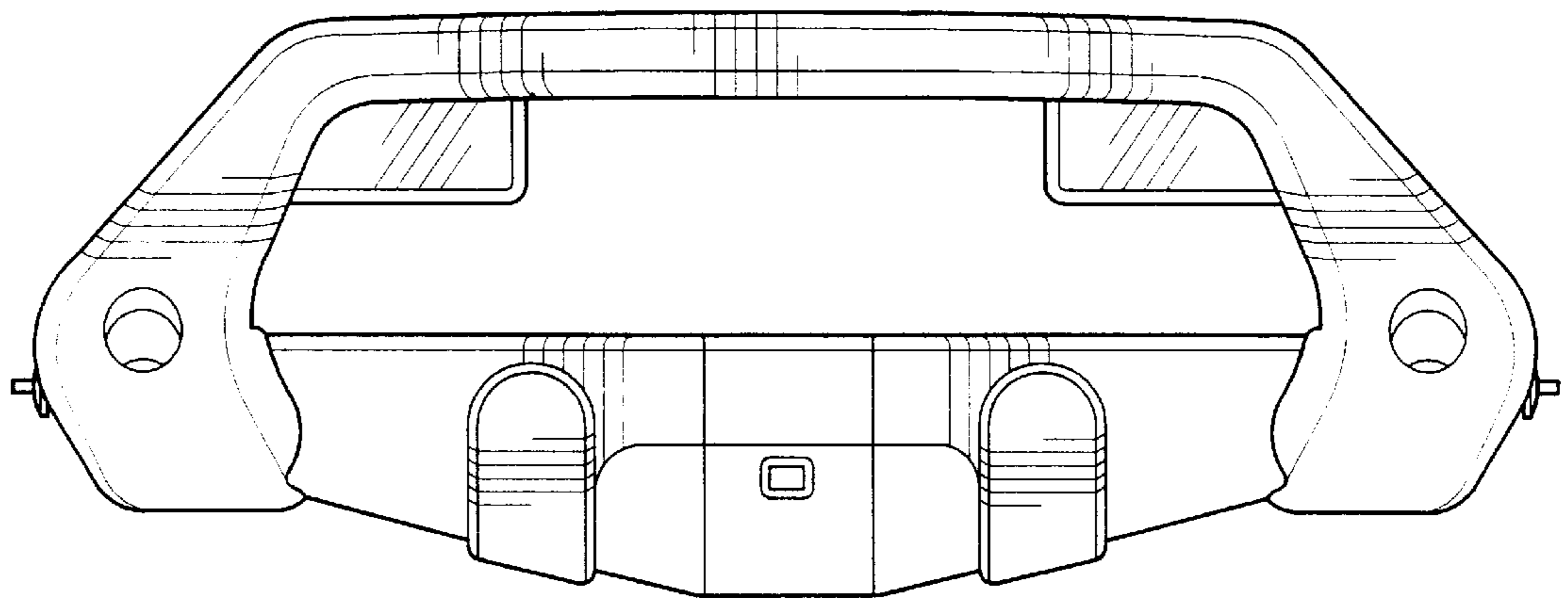


Fig-3

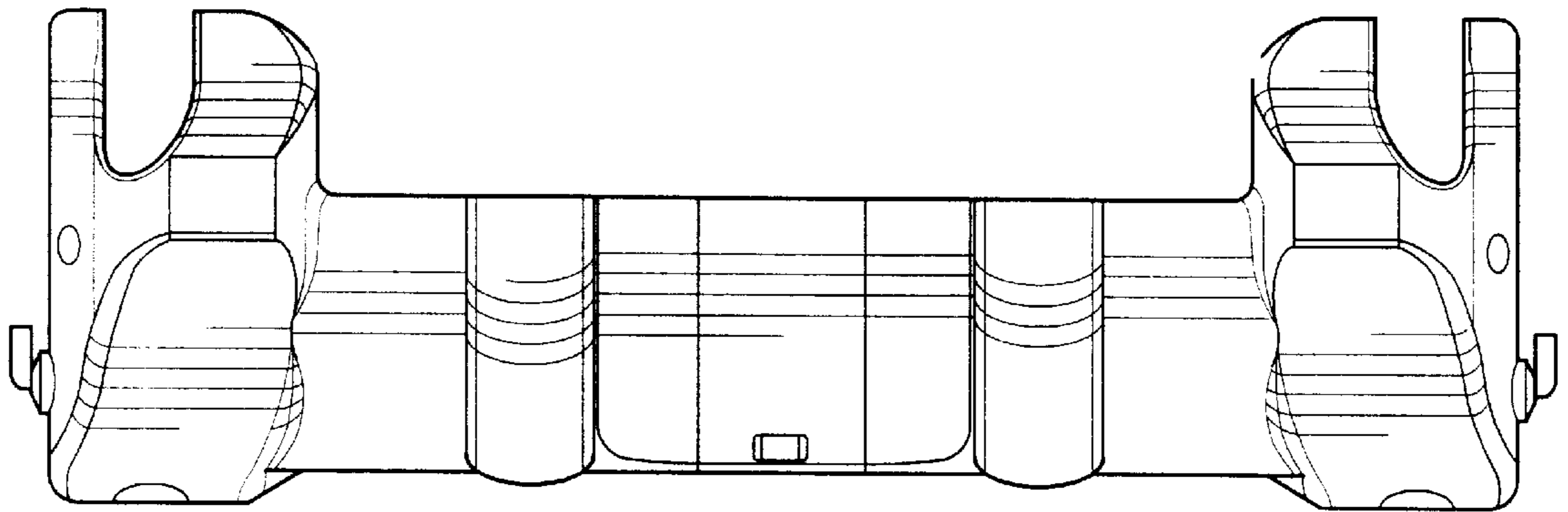


Fig-4

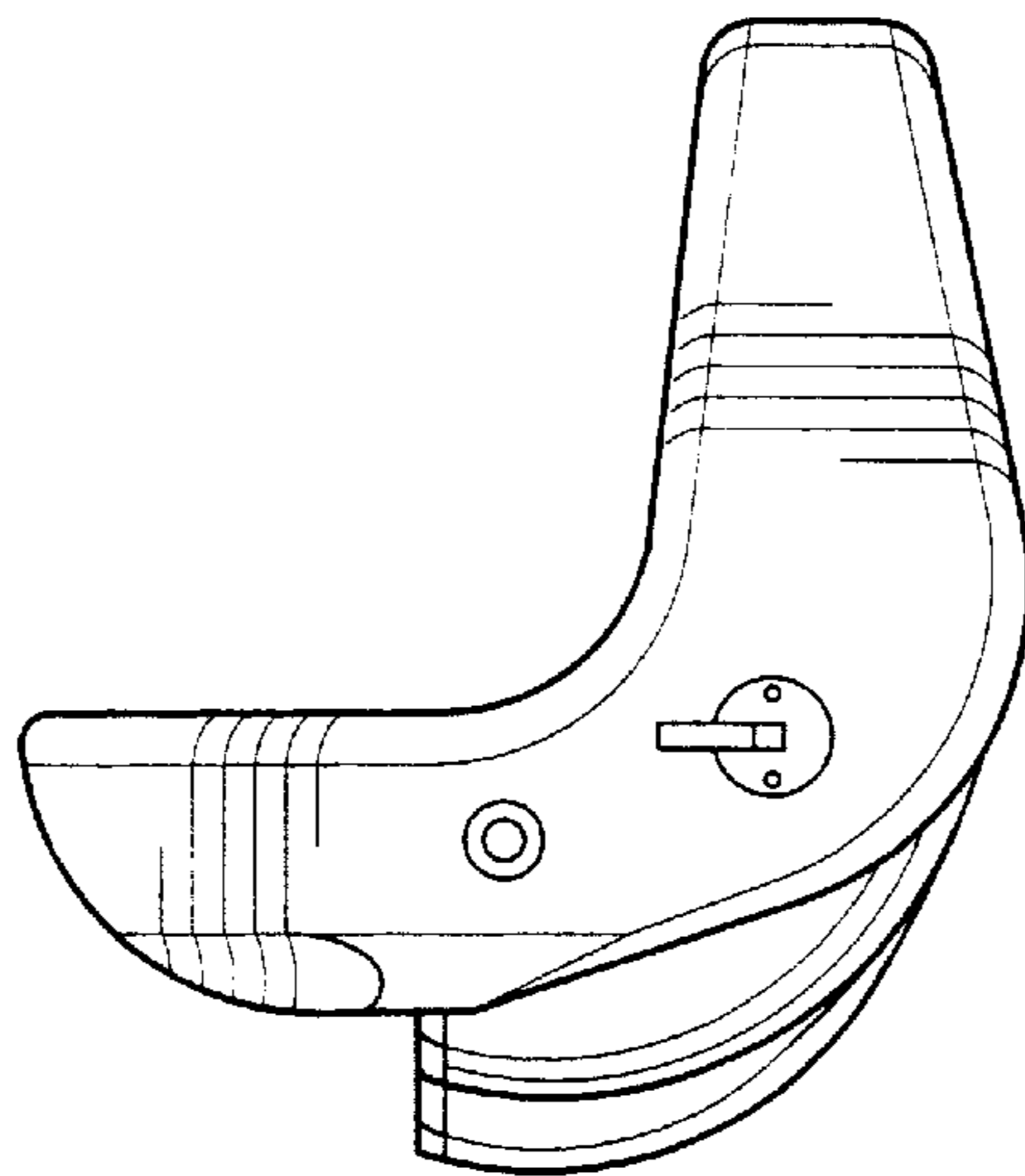


Fig-5

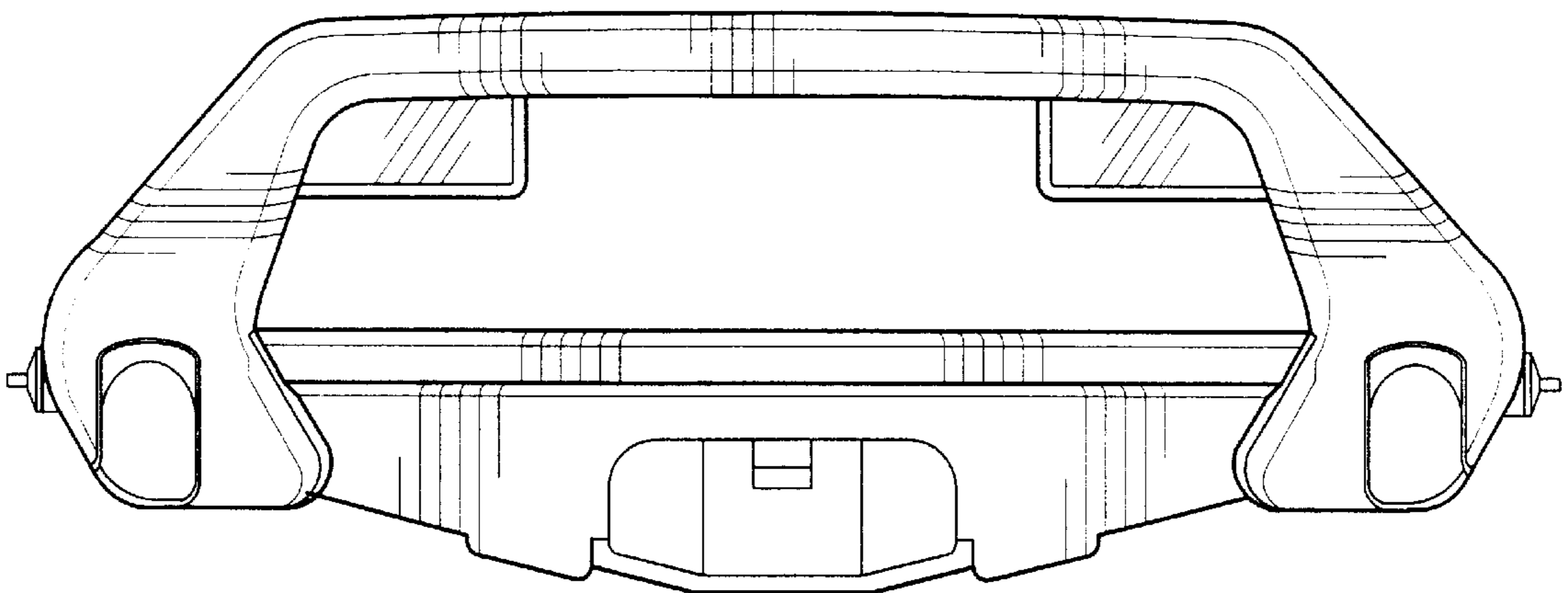


Fig-6