



US00D433968S

United States Patent [19]

Mascari et al.

[11] Patent Number: **Des. 433,968**

[45] Date of Patent: **** Nov. 21, 2000**

[54] **HIGH PERFORMANCE WHEELCHAIR FRAME**

D. 413,555 9/1999 Hernandez et al. D12/133
4,643,479 2/1987 Servi 297/184

[76] Inventors: **Nick Mascari**, 3970 E. 53rd St.,
Newburg Heights, Ohio 44105;
Christopher J. Peterson, 295 Sixth
Ave., N., Tierra Verde, Fla. 33715

Primary Examiner—Kay H. Chin
Attorney, Agent, or Firm—Hudak & Shunk Co., LPA; Laura
F. Shunk

[**] Term: **14 Years**

[57] **CLAIM**

We claim the ornamental design for a high performance wheelchair frame.

[21] Appl. No.: **29/117,603**

DESCRIPTION

[22] Filed: **Jan. 27, 2000**

[51] **LOC (7) Cl.** **12-12**

FIG. 1 is a frontal view of a new design for a wheelchair frame;

[52] **U.S. Cl.** **D12/133; D12/131**

FIG. 2 is a top view;

[58] **Field of Search** D12/128, 131,
D12/133; 280/250.1, 304.1, 242.1; 297/DIG. 4

FIG. 3 is a side view, the opposite side view being a mirror image thereof; and,

FIG. 4 is a bottom view.

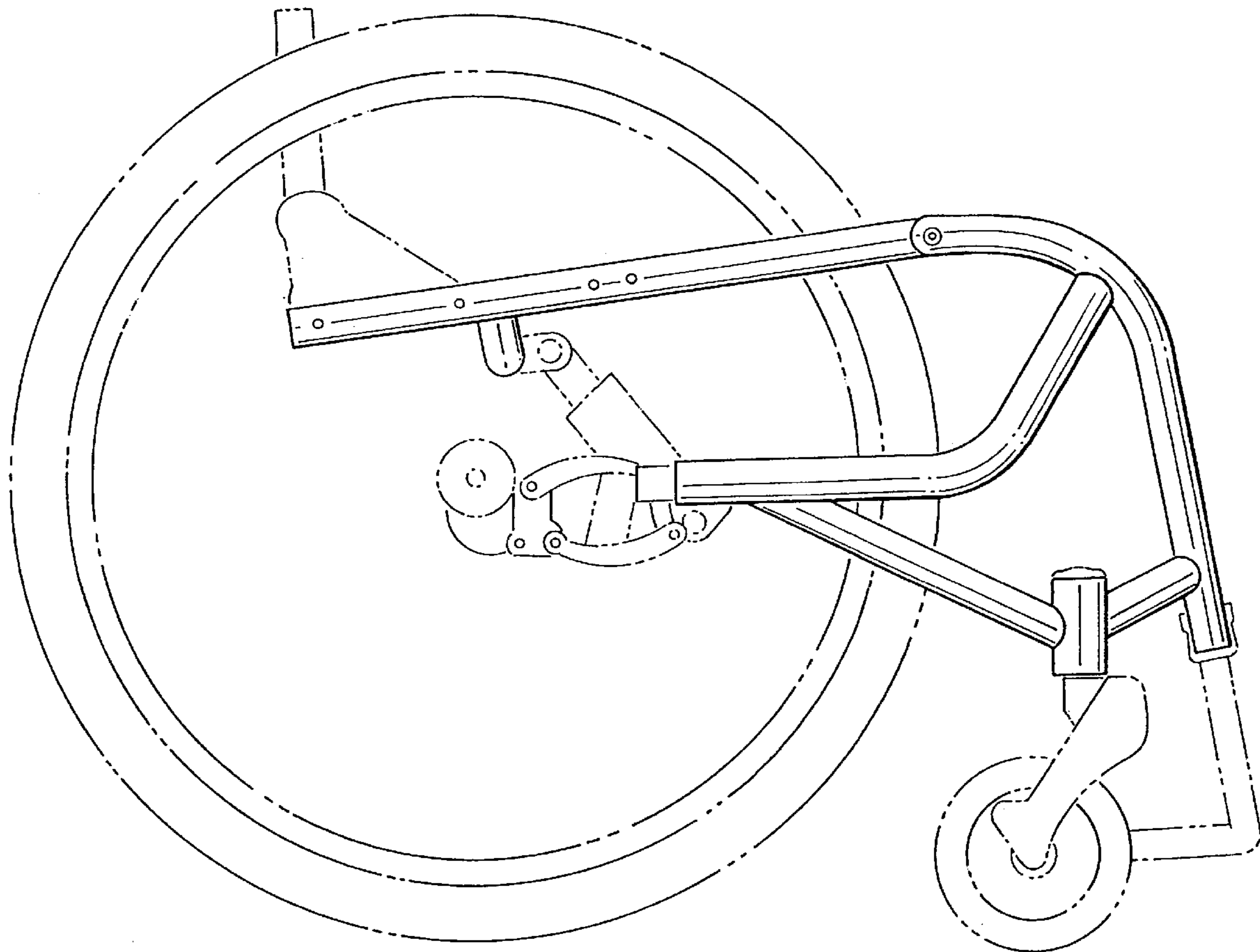
In the various views the ghost-line portions are for the purposes of environmental only.

[56] **References Cited**

U.S. PATENT DOCUMENTS

D. 344,702 3/1994 Robertson et al. D12/133
D. 395,854 7/1998 Hernandez et al. D12/131

1 Claim, 4 Drawing Sheets



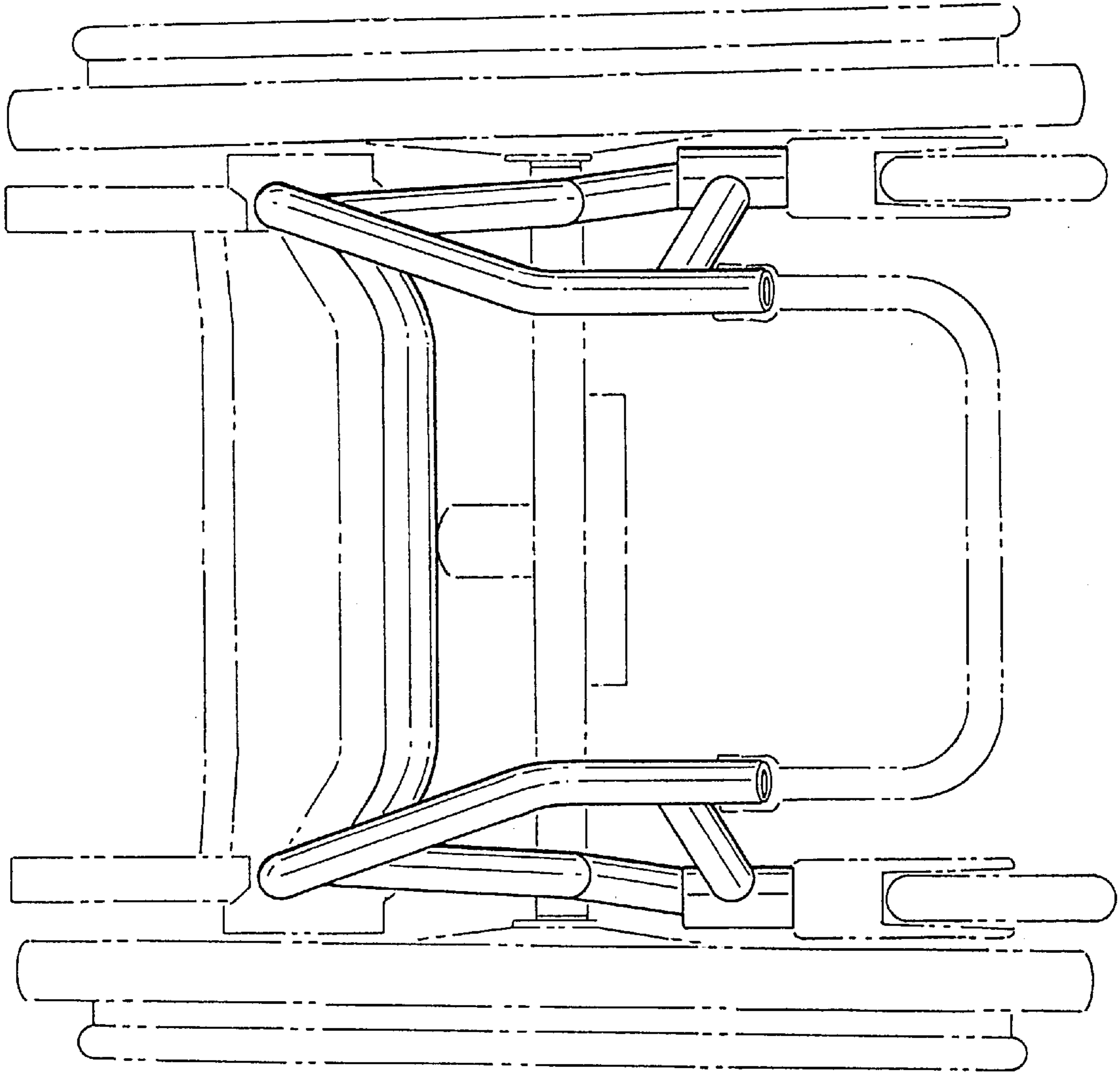


FIG.-1

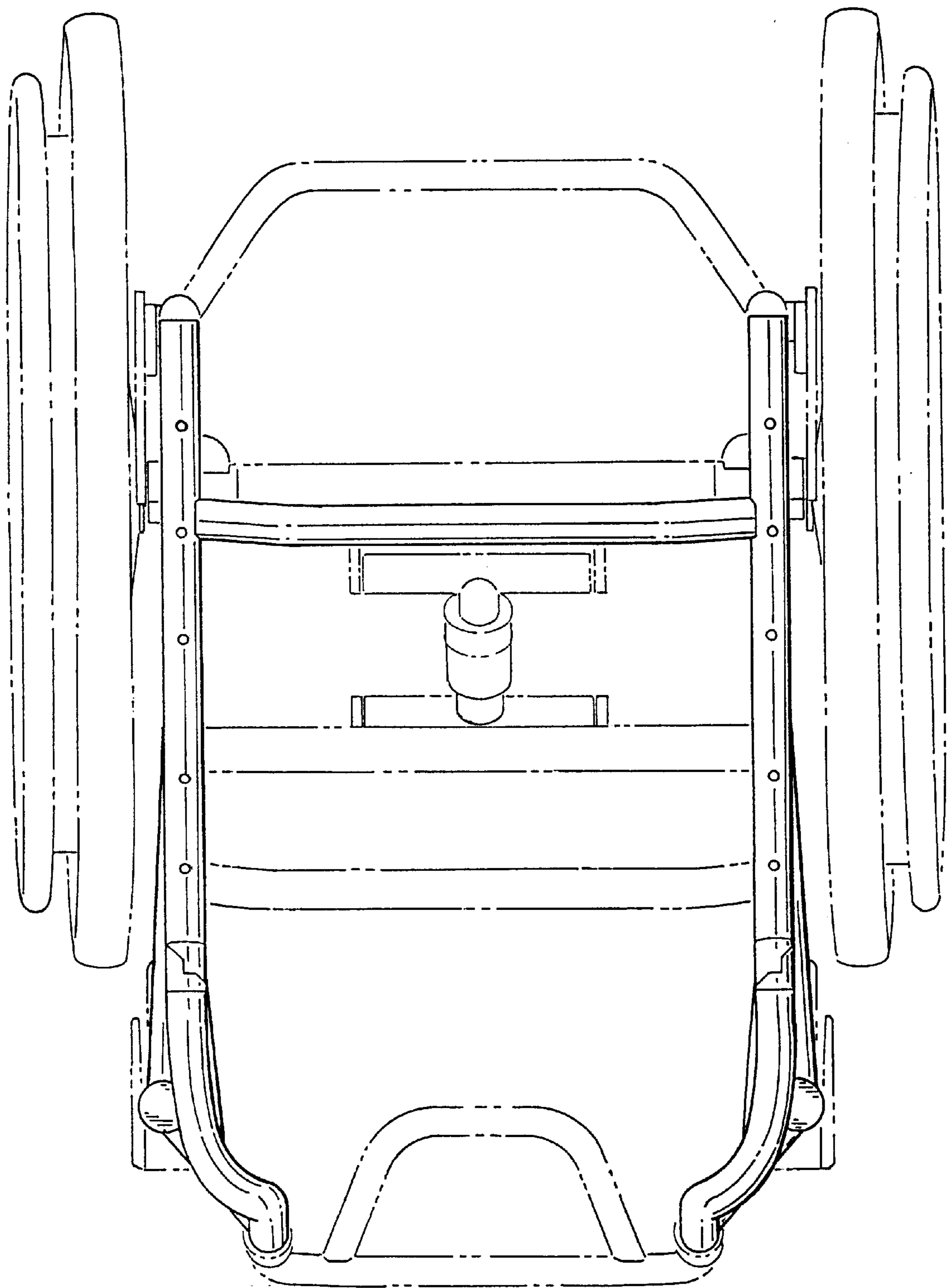
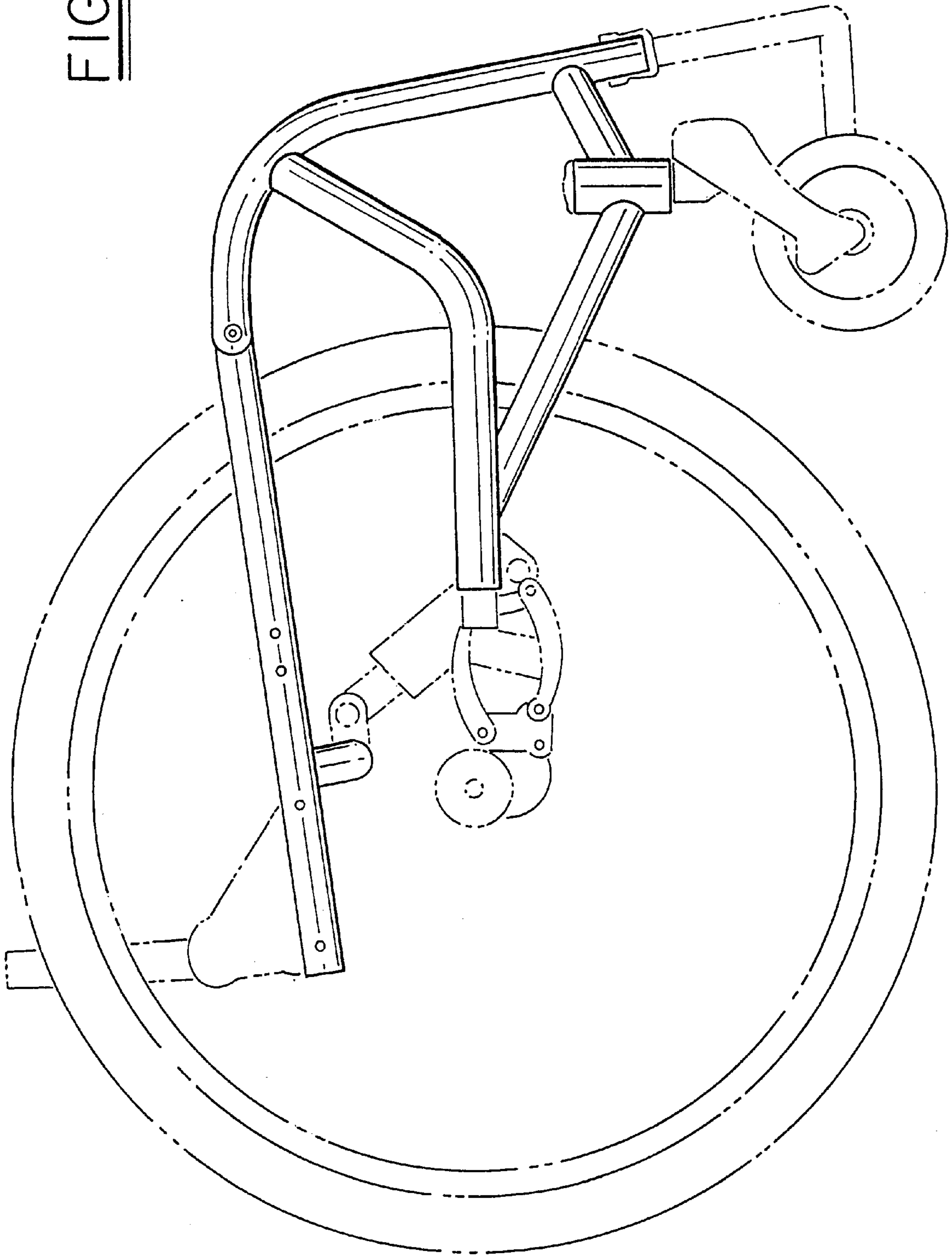


FIG. - 2

FIG. - 3



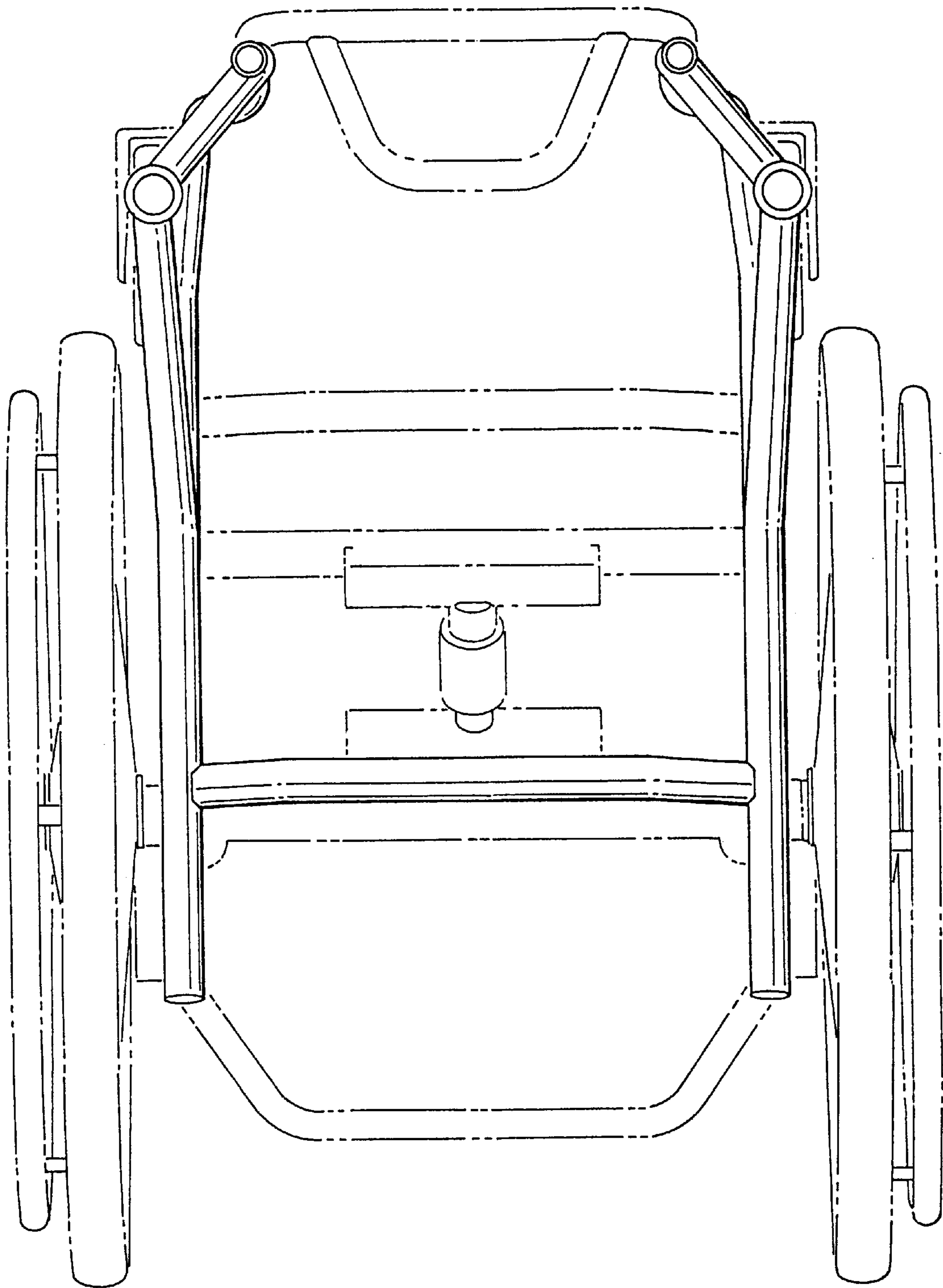


FIG.-4