



US00D433958S

United States Patent [19] Rosenberg

[11] **Patent Number: Des. 433,958**

[45] **Date of Patent: ** Nov. 21, 2000**

[54] **DOUBLE POT HOLDER FOR HANGING ON A CURVED RAIL**

[75] Inventor: **Debbie Rosenberg**, New City, N.Y.

[73] Assignee: **American Tack & Hardware Co., Inc.**, Monsey, N.Y.

[**] Term: **14 Years**

[21] Appl. No.: **29/118,053**

[22] Filed: **Feb. 3, 2000**

[51] **LOC (7) Cl.** **11-02**

[52] **U.S. Cl.** **D11/148; D6/556**

[58] **Field of Search** D6/403, 405, 556; D11/143, 144, 148, 149, 151, 152, 154; 47/41.01, 65.5, 67; 206/423; 248/27.8, 213; D12/420; D7/701, 704; 211/75, 85.23, 85.31, 106, 106.01

[56] **References Cited**

U.S. PATENT DOCUMENTS

D. 266,382	10/1982	Hutchinson	D6/556
D. 283,185	4/1986	Frazier	D6/556
D. 311,327	10/1990	Hughes	D8/370
D. 315,670	3/1991	Shirley	D8/373
D. 323,767	2/1992	Polski	D7/620
D. 332,911	2/1993	Barbour et al.	D8/373
D. 338,122	8/1993	Emalfarb et al.	D6/513
D. 339,942	10/1993	Emalfarb et al.	D6/513
D. 348,633	7/1994	Emalfarb et al.	D6/556
D. 352,674	11/1994	Richards et al.	D11/148
D. 365,481	12/1995	McKeon	D6/513

D. 405,289	2/1999	Rosenberg	D6/403
D. 417,414	11/1999	Rehmert et al.	D6/556
1,559,695	11/1925	Hatch	D7/704
1,706,081	3/1929	Schulze	211/75
2,279,442	4/1942	Burns et al.	D7/620
2,672,988	3/1954	Johnson	211/106
3,490,726	1/1970	Mills	248/213

OTHER PUBLICATIONS

Rail Pot Holder, p. 4, in Lawn and Garden Product brochure, Aug. 1995.

Decorative flower box and pot holders, For Wrought Iron, For Wood Rail, p. 10, CobraCo decorative Lawn & Garden Products, Aug. 1995.

Primary Examiner—Doris V. Coles

Assistant Examiner—Mimosa De

Attorney, Agent, or Firm—Hedman, Gibson & Costigan, P.C.

[57] **CLAIM**

The ornamental design for a double pot holder for hanging on a curved rail, as shown and described.

DESCRIPTION

FIG. 1 is a perspective view from slightly above on the front right side of double pot holder for hanging on a curved rail according to my design;

FIG. 2 is a left side view of my design;

FIG. 3 is a top view of my design;

FIG. 4 is a front view of my design;

FIG. 5 is a back view of my design; and,

FIG. 6 is a bottom view of my design;

1 Claim, 4 Drawing Sheets

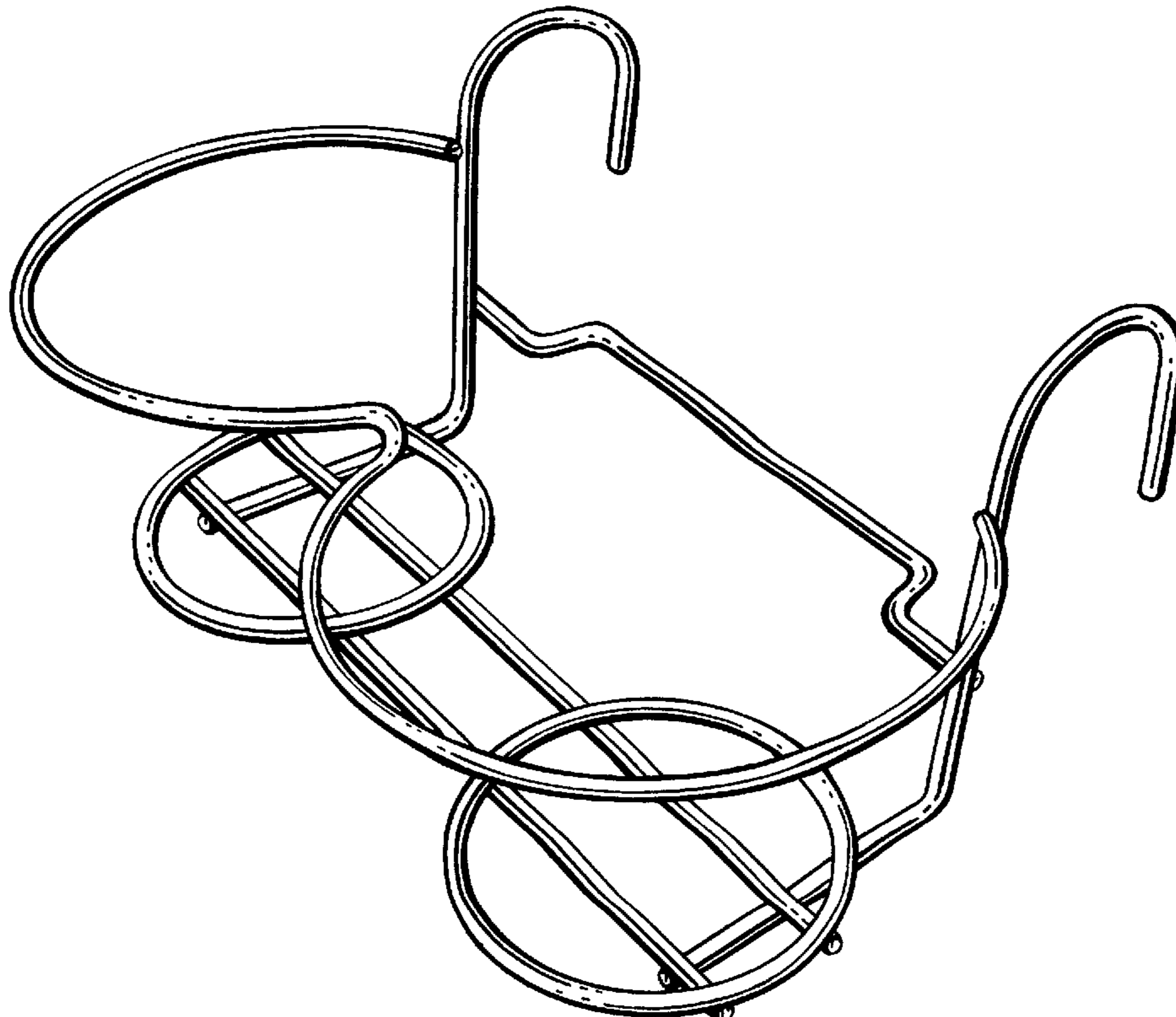


FIG. 1

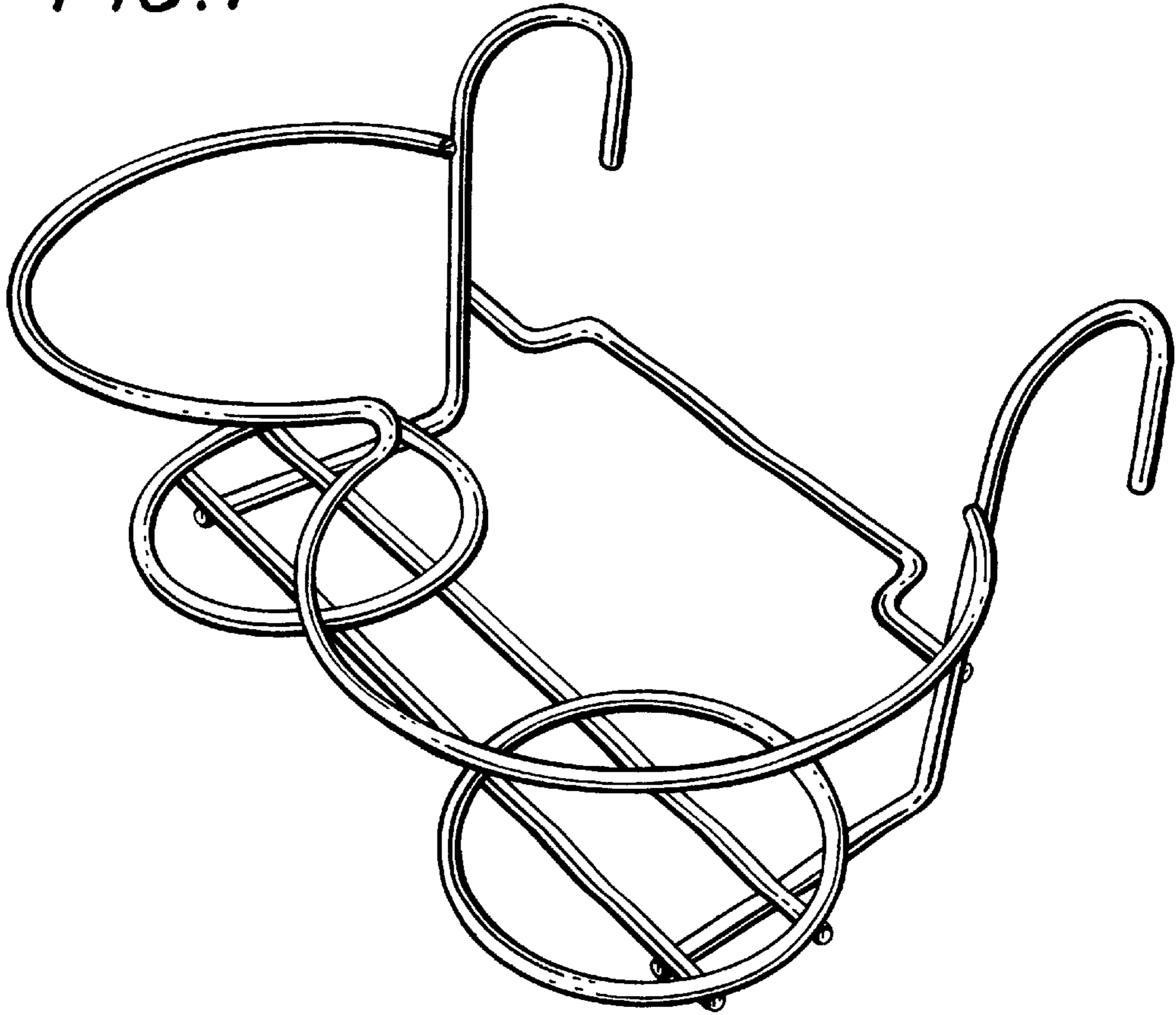


FIG. 2

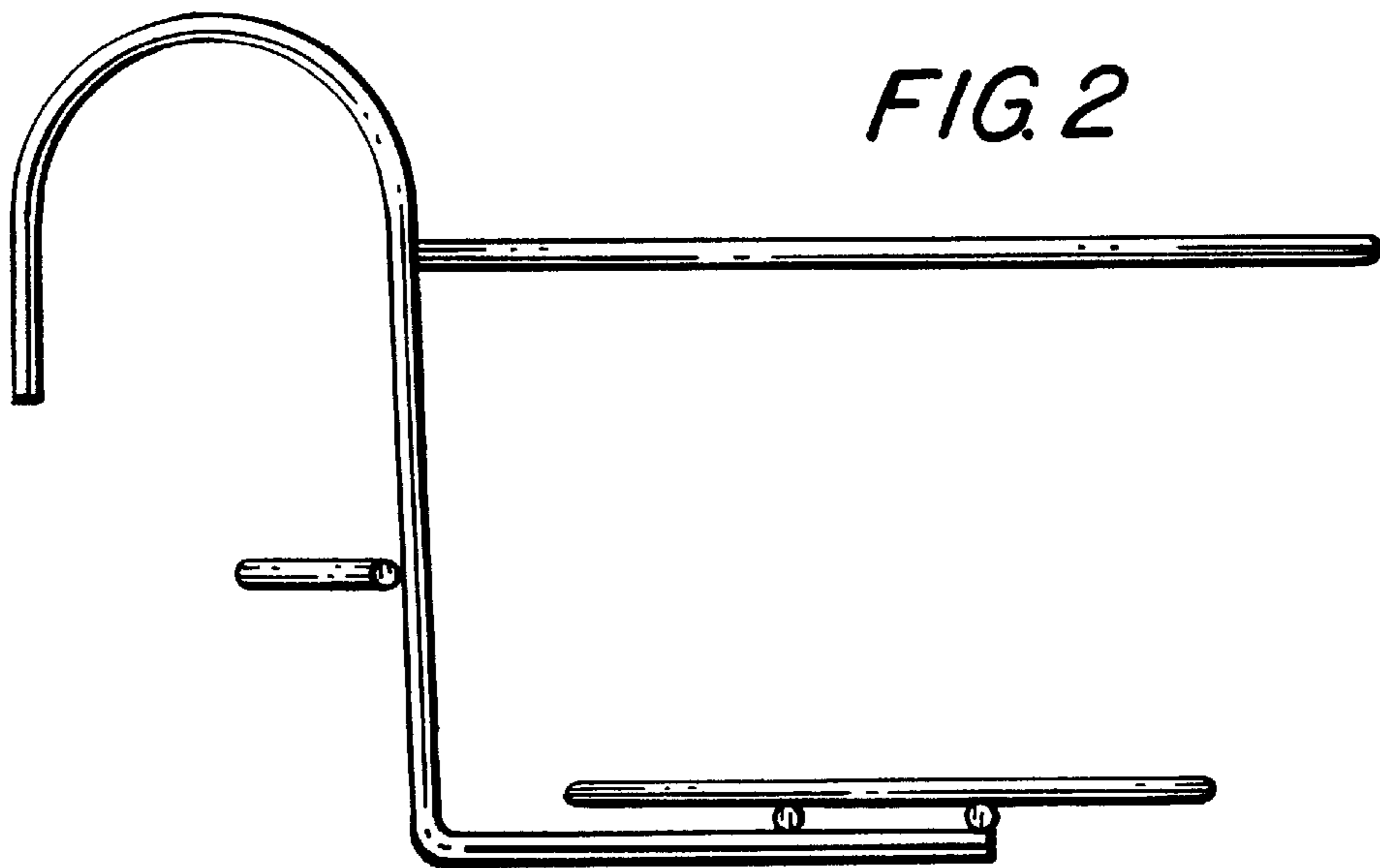
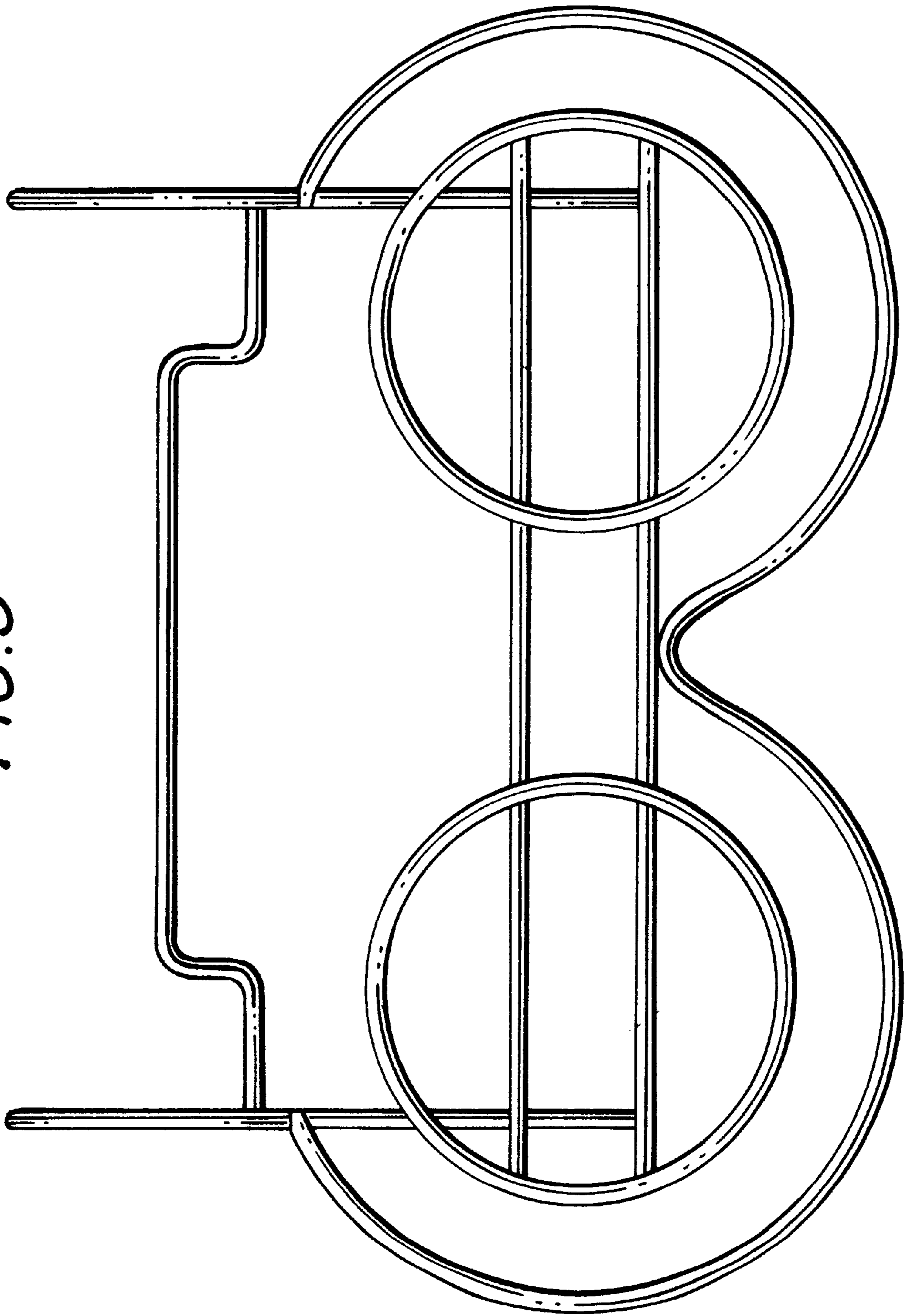


FIG. 3



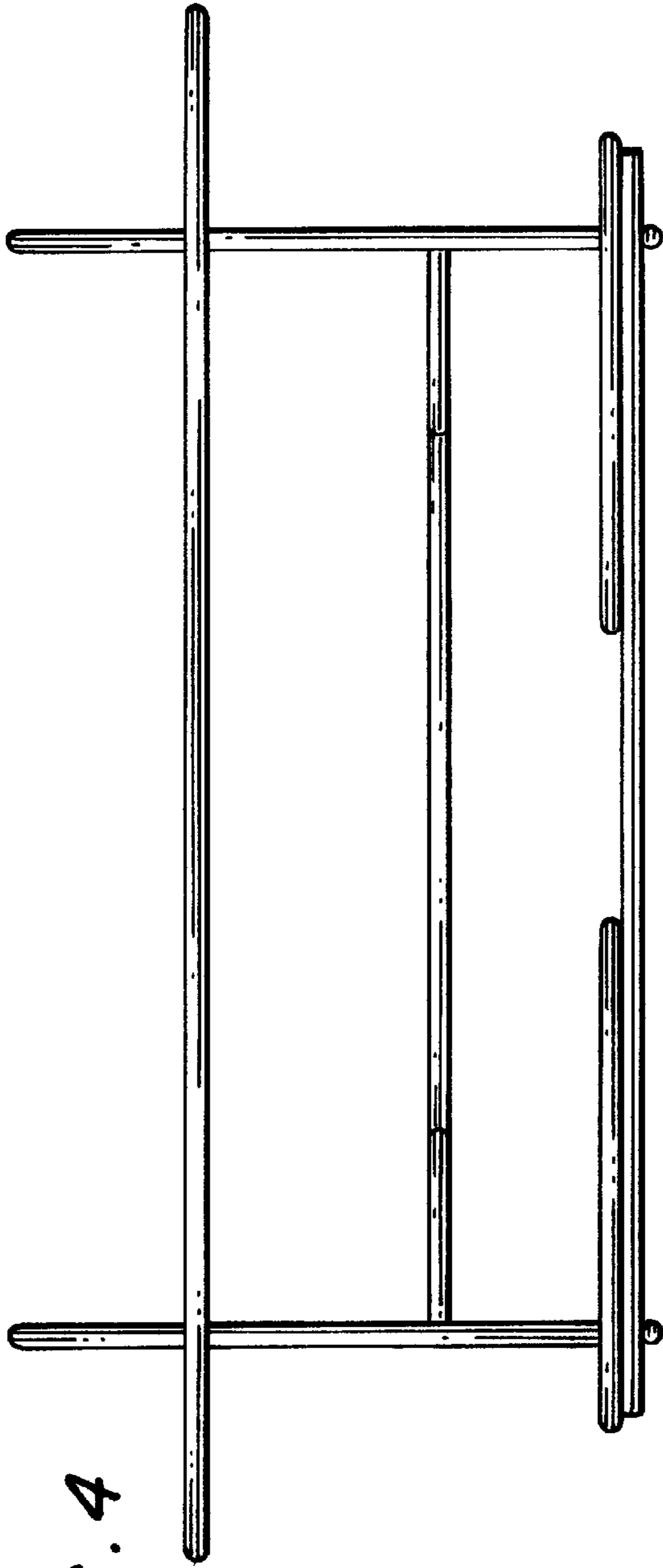


FIG. 4

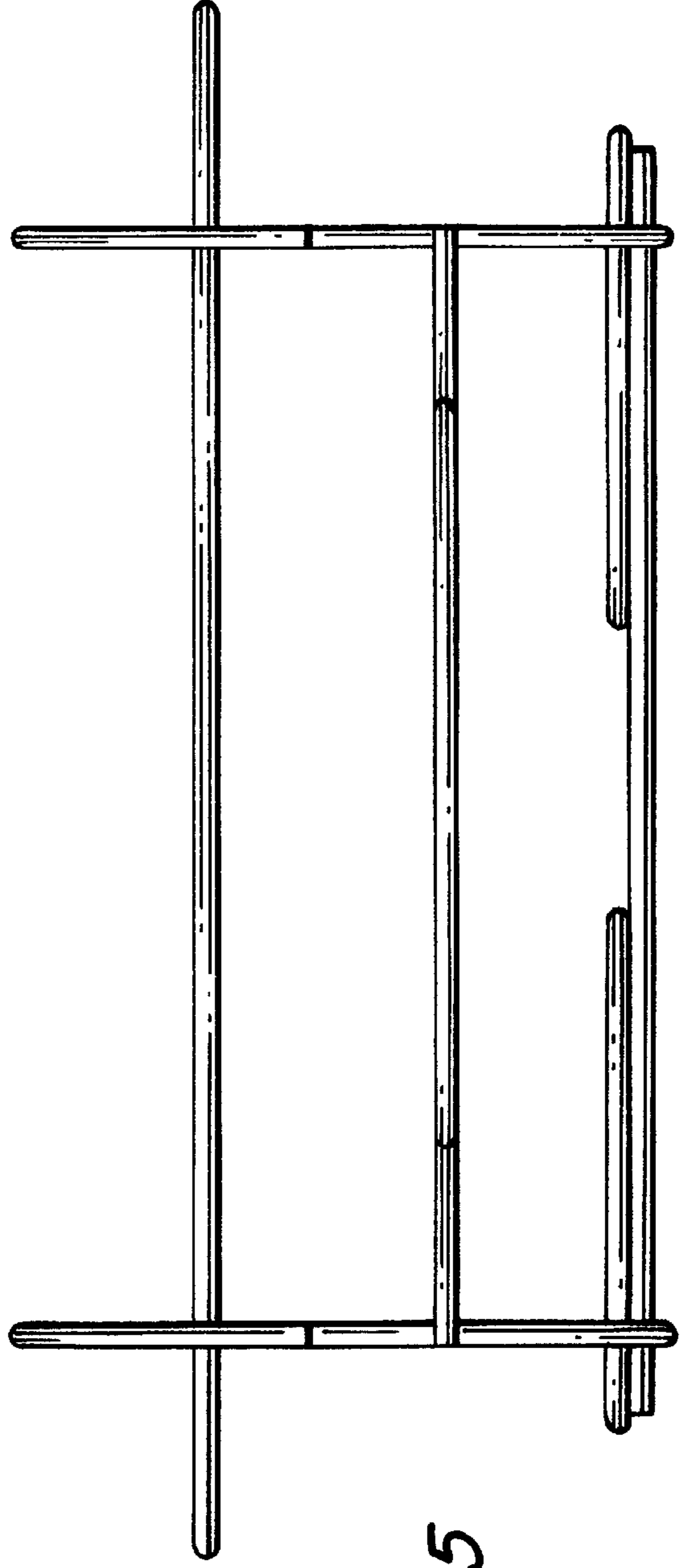


FIG. 5

FIG. 6

