



US00D433954S

United States Patent [19] Delsart

[11] Patent Number: **Des. 433,954**

[45] Date of Patent: **** Nov. 21, 2000**

[54] **WALL PLATE WITH INDICATOR LAMP**

[76] Inventor: **Todd Delsart**, P.O. Box 571, Sturgeon Bay, Wis. 54235

[**] Term: **14 Years**

[21] Appl. No.: **29/120,577**

[22] Filed: **Mar. 21, 2000**

[51] **LOC (7) Cl.** **10-05**

[52] **U.S. Cl.** **D10/108**

[58] **Field of Search** D10/108, 104, D10/121; D8/350, 353; D13/158, 171; 361/331, 332, 334, 336, 380, 381, 384, 390, 395

[56] **References Cited**

U.S. PATENT DOCUMENTS

D. 315,527	3/1991	Kulikowski et al.	D10/108
D. 318,632	7/1991	Polacek et al.	D10/108
D. 365,775	1/1996	Raymond	D10/108
2,004,039	6/1935	Despard .	
3,609,268	9/1971	Sanchez .	
3,761,920	9/1973	Houbolt et al. .	
4,755,913	7/1988	Sleveland .	

Primary Examiner—Marcus A. Jackson
Attorney, Agent, or Firm—Jack Lo

[57] **CLAIM**

The ornamental design for a wall plate with indicator lamp, as shown and described.

DESCRIPTION

FIG. 1 is a front perspective view of a wall plate with indicator lamp showing my new design.

FIG. 2 is a front view thereof.

FIG. 3 is a rear view thereof; the broken lines which define the bounds of the claimed design form no part thereof.

FIG. 4 is a left side view thereof; the right side view is a mirror image.

FIG. 5 is a top view thereof; the bottom view is a mirror image.

FIG. 6 is a front perspective view of a second embodiment thereof.

FIG. 7 is a front view thereof.

FIG. 8 is a rear view thereof; the broken lines which define the bounds of the claimed design form no part thereof.

FIG. 9 is a left side view thereof; the right side view is a mirror image.

FIG. 10 is a top view thereof; the bottom view is a mirror image.

FIG. 11 is a front perspective view of a third embodiment thereof.

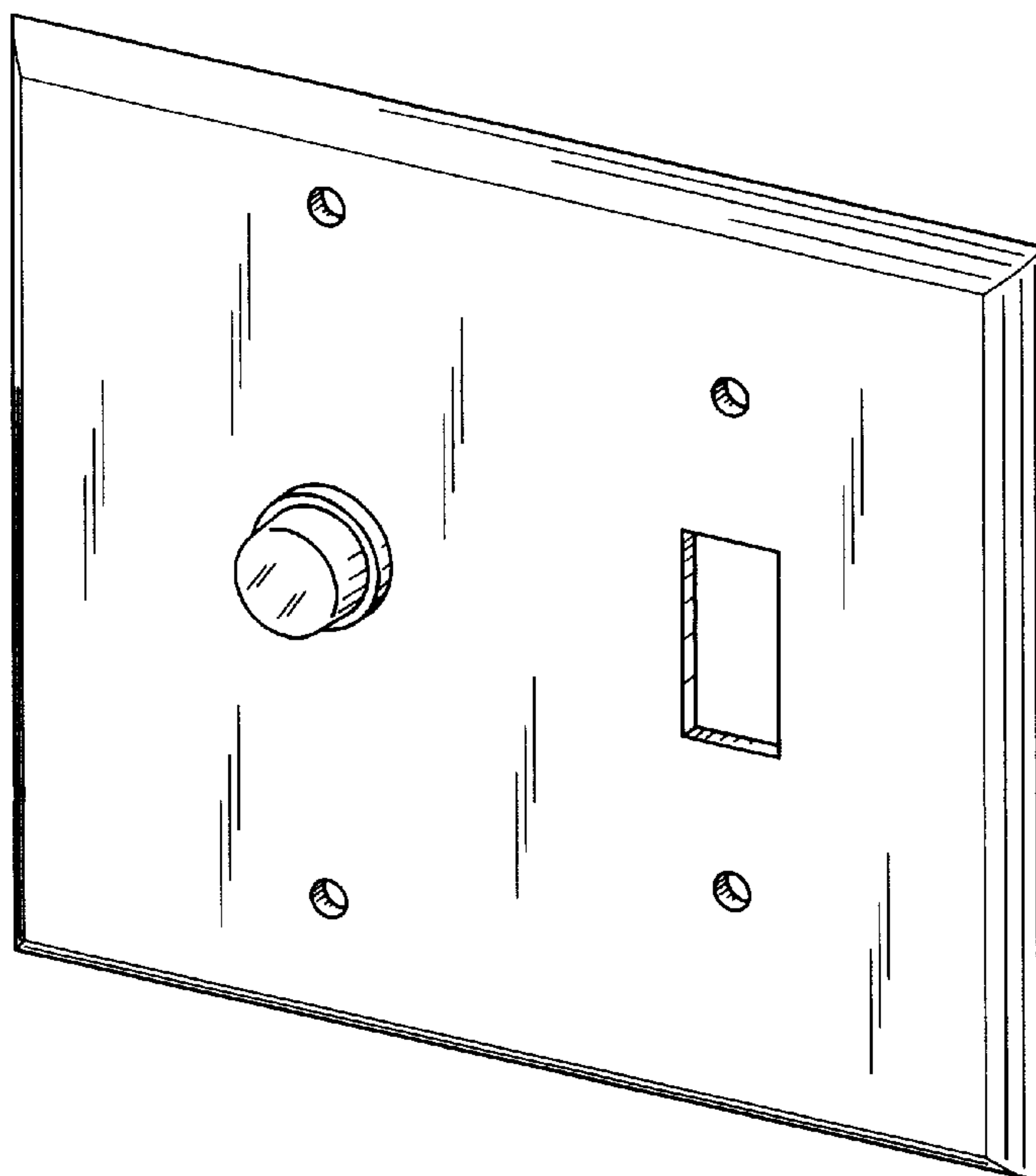
FIG. 12 is a front view thereof.

FIG. 13 is a rear view thereof; the broken lines which define the bounds of the claimed design form no part thereof.

FIG. 14 is a left side view thereof; the right side view is a mirror image; and,

FIG. 15 is a top view thereof; the bottom view is a mirror image.

1 Claim, 6 Drawing Sheets



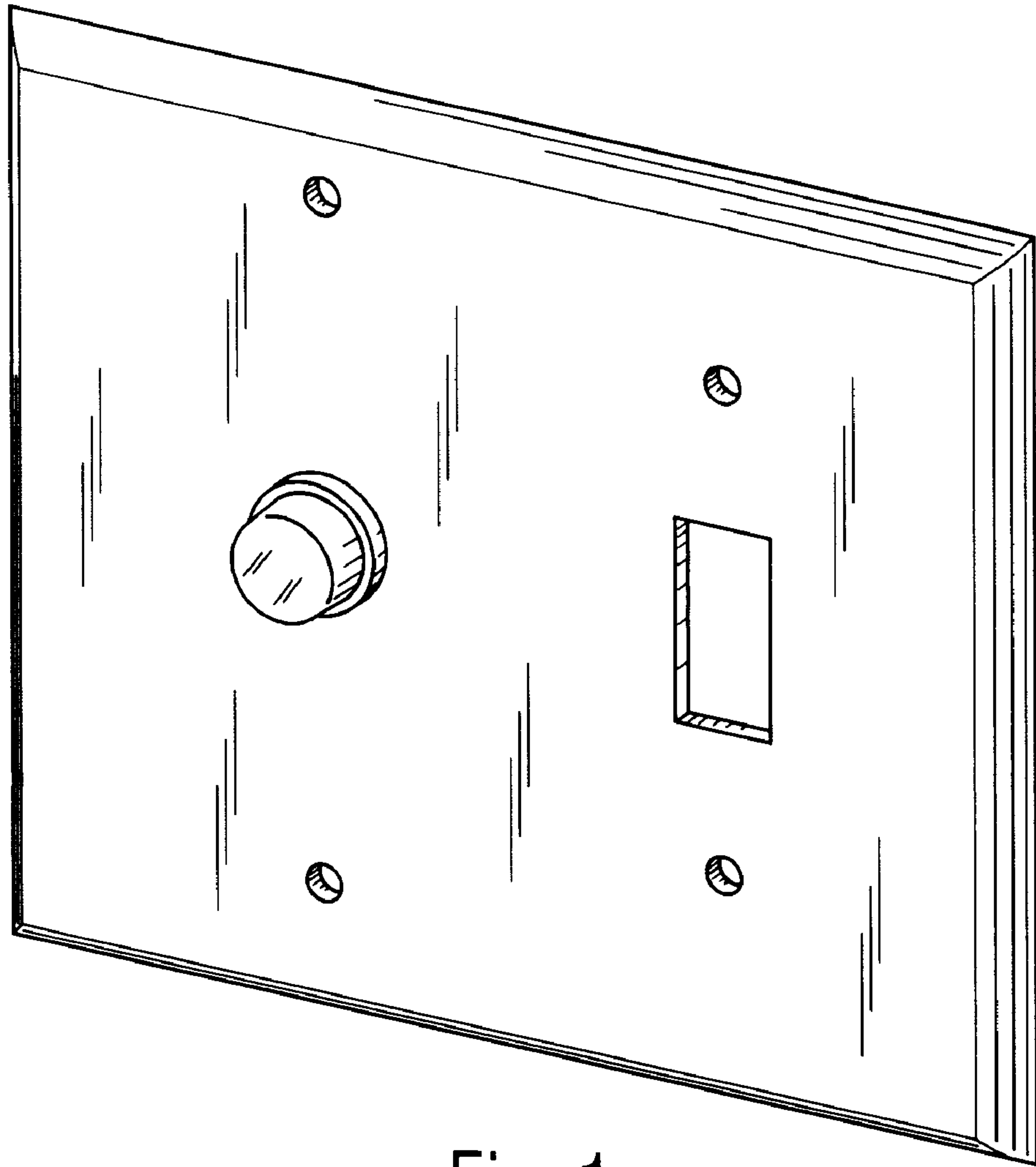


Fig. 1

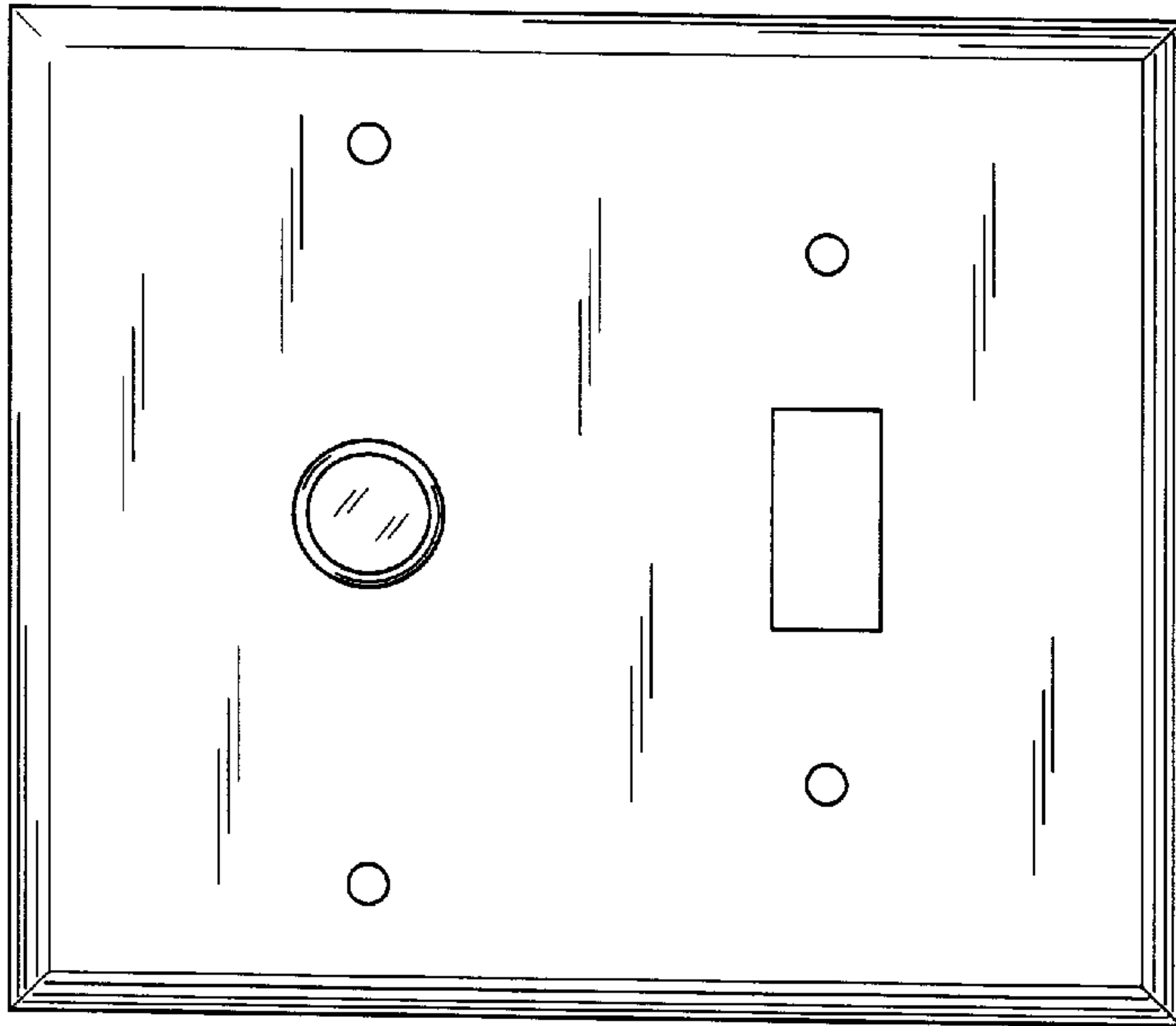


Fig. 2

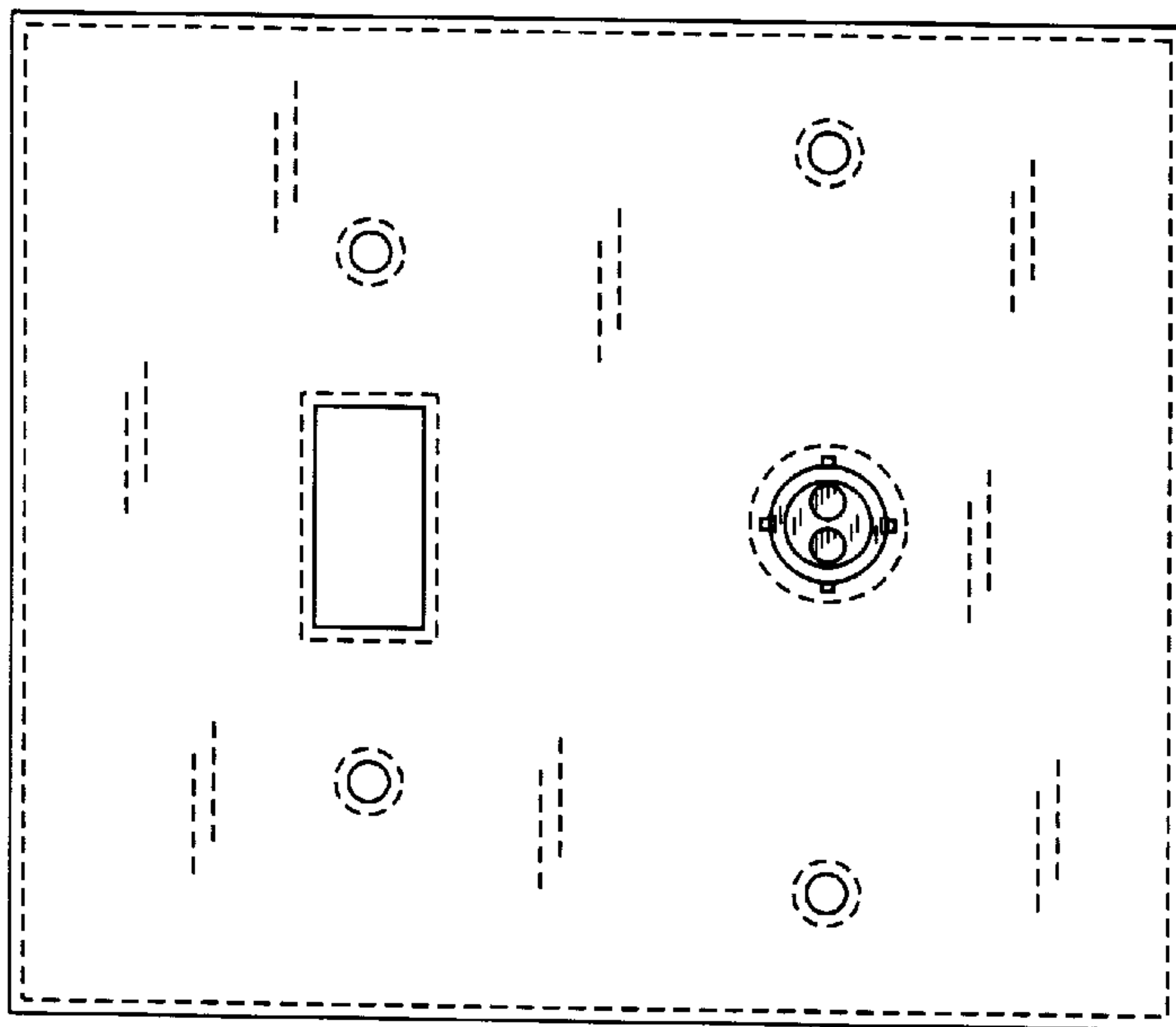


Fig. 3

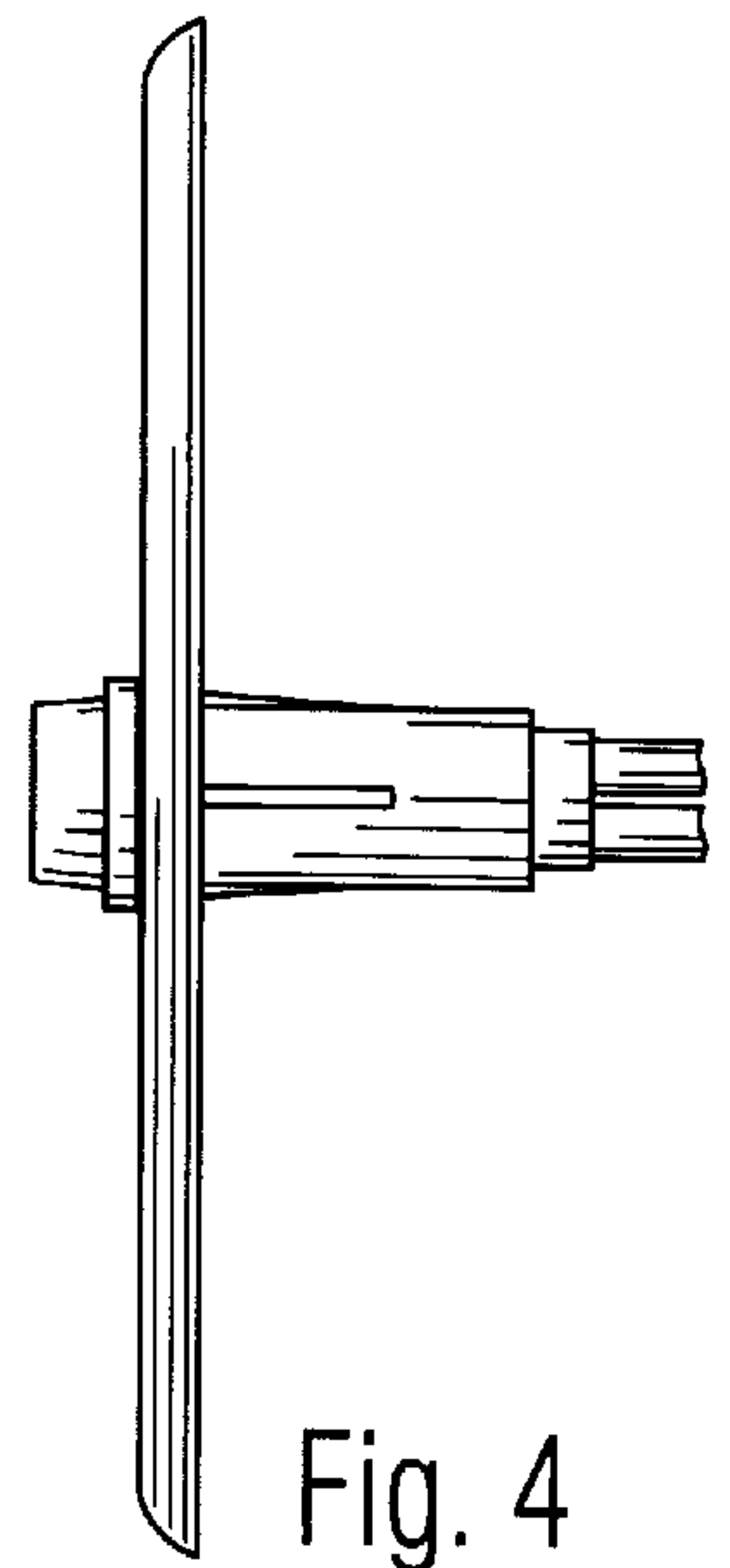


Fig. 4

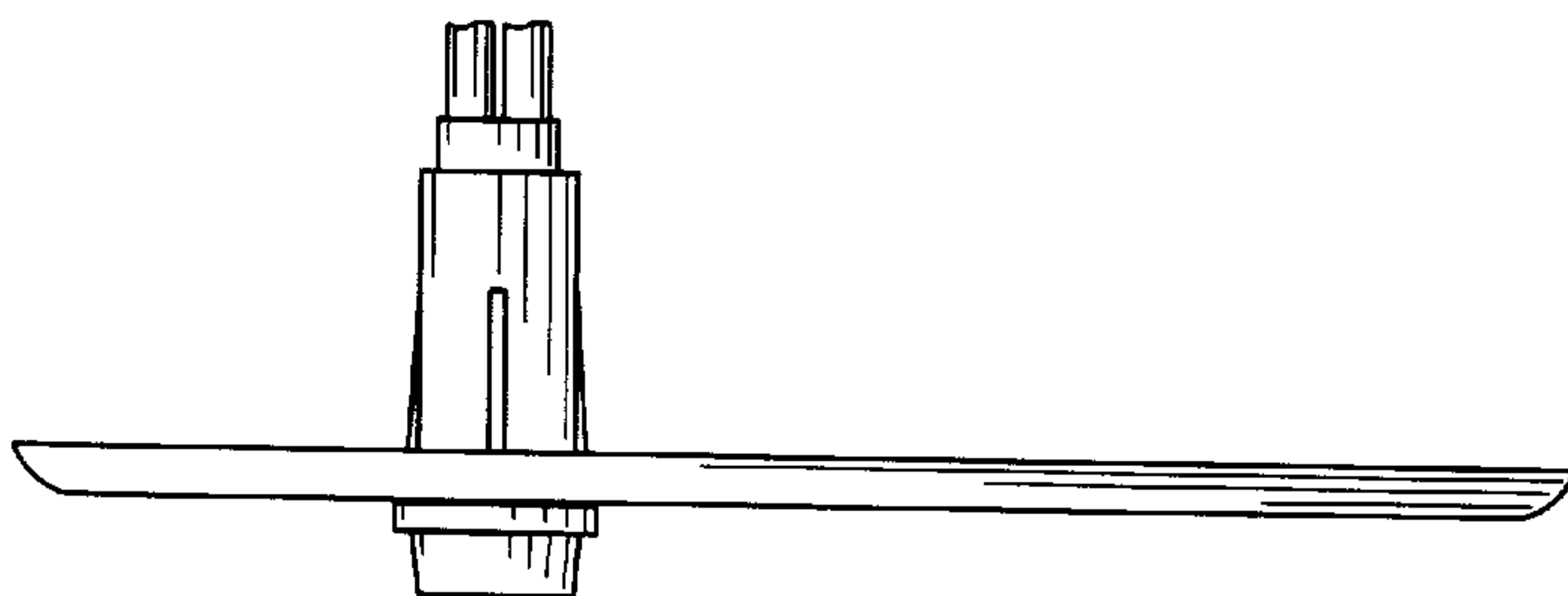


Fig. 5

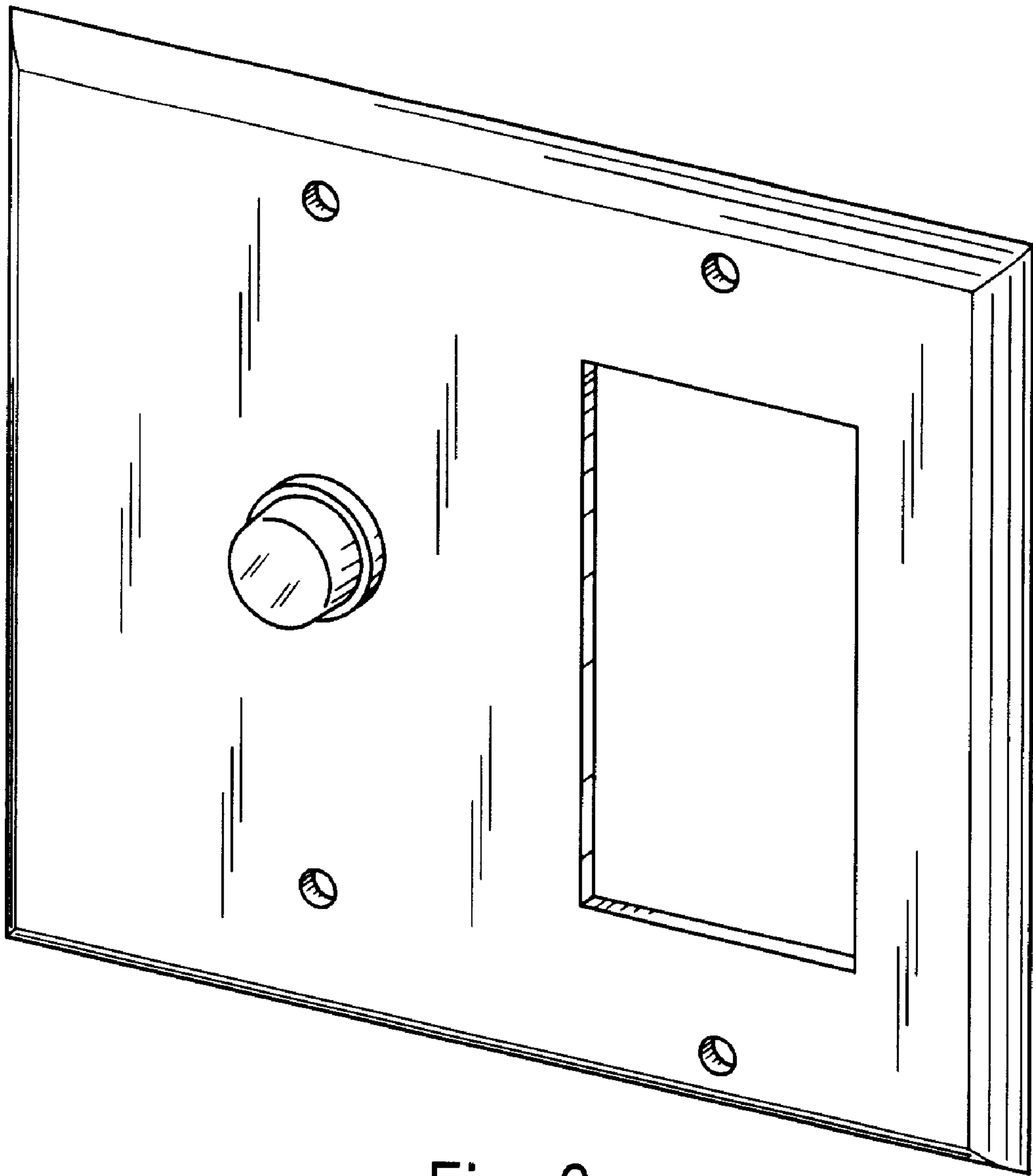


Fig. 6

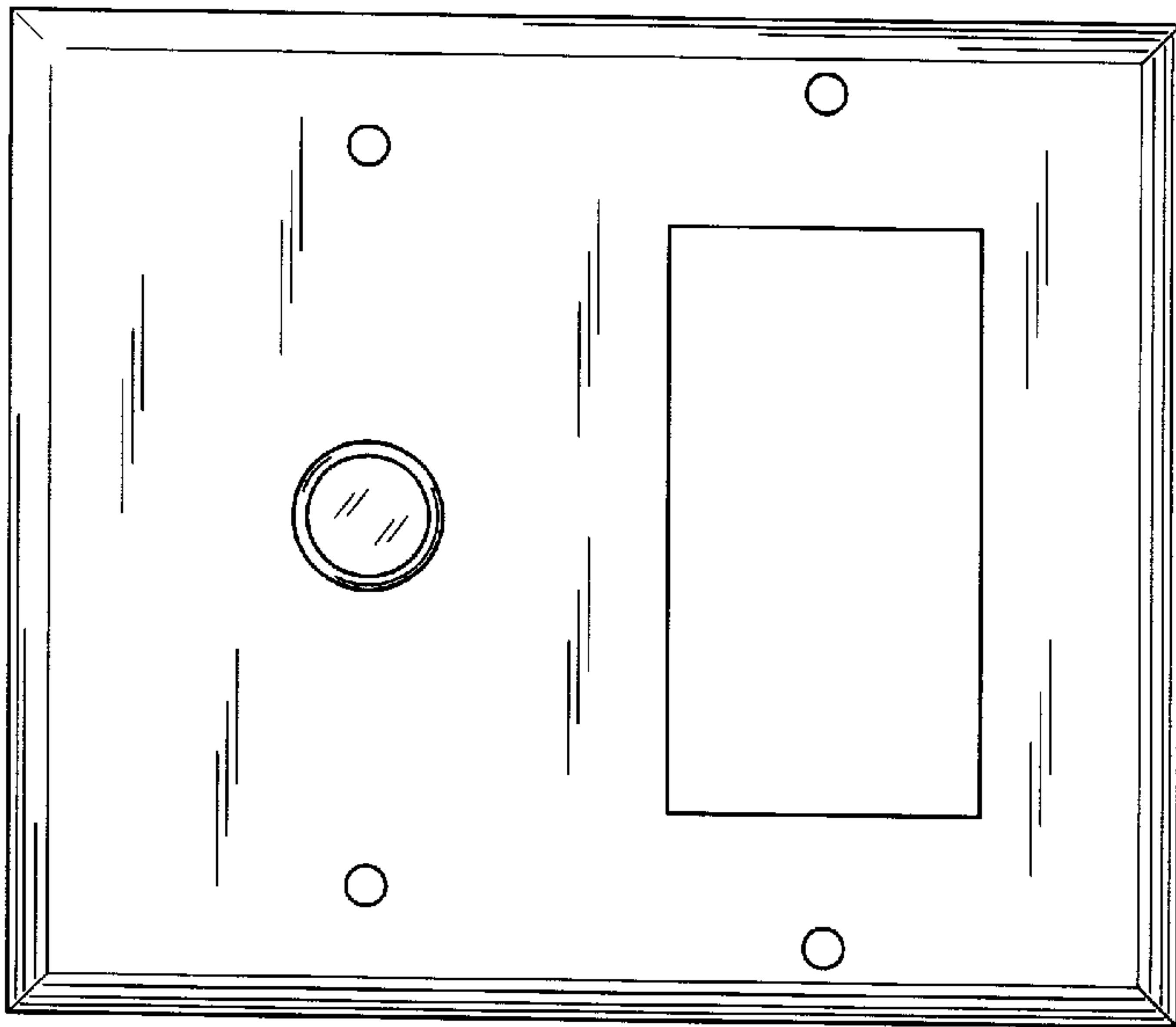


Fig. 7

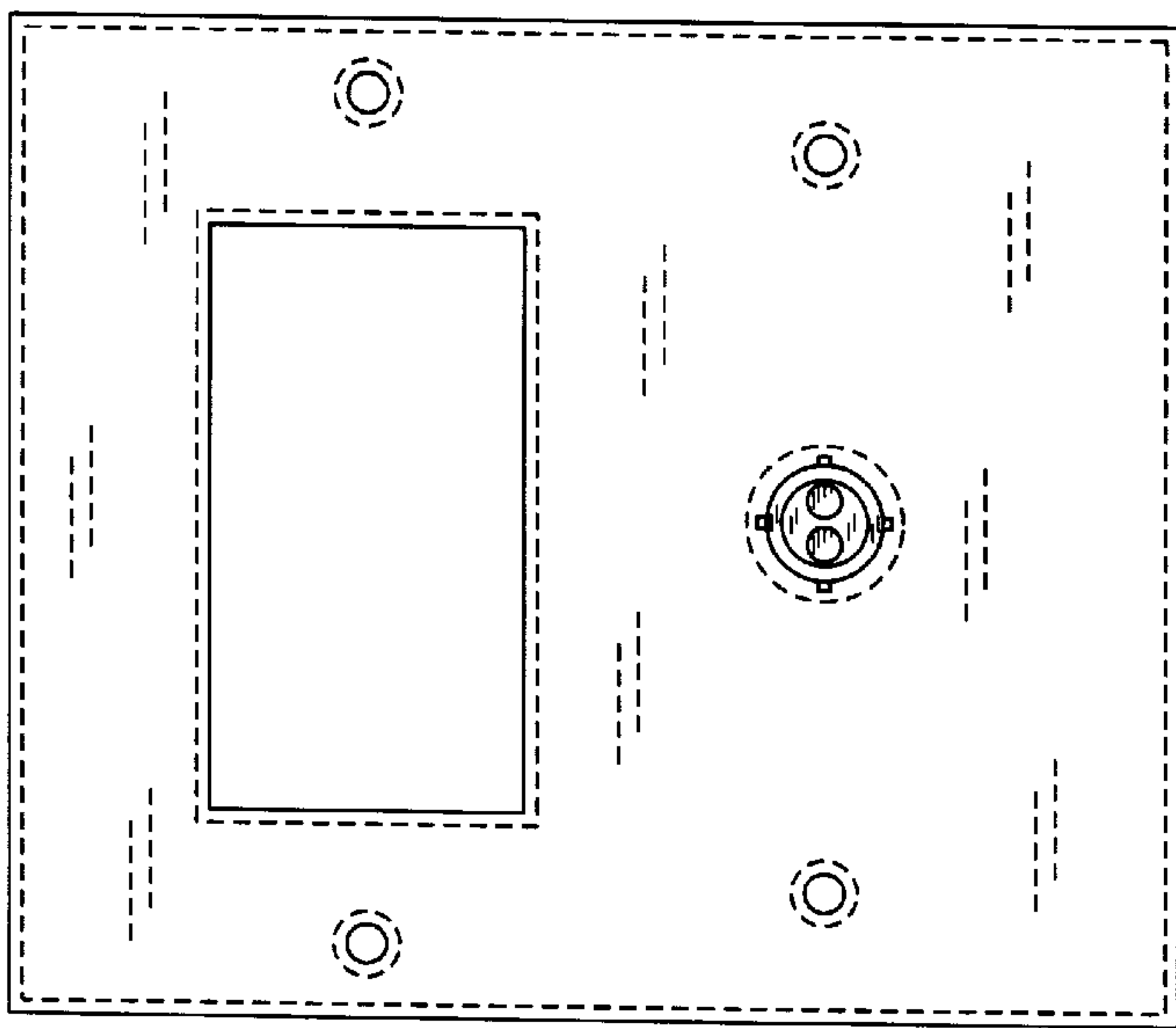


Fig. 8

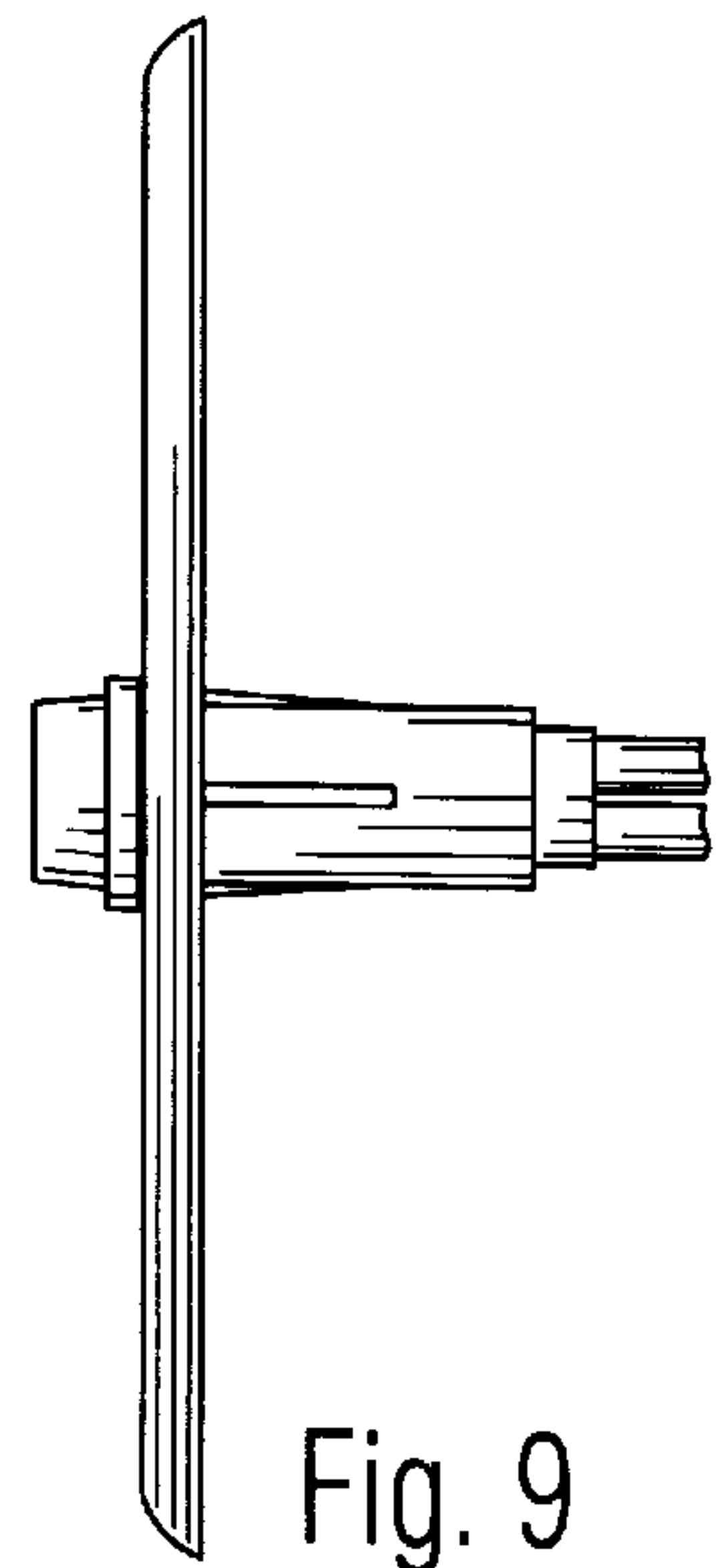


Fig. 9

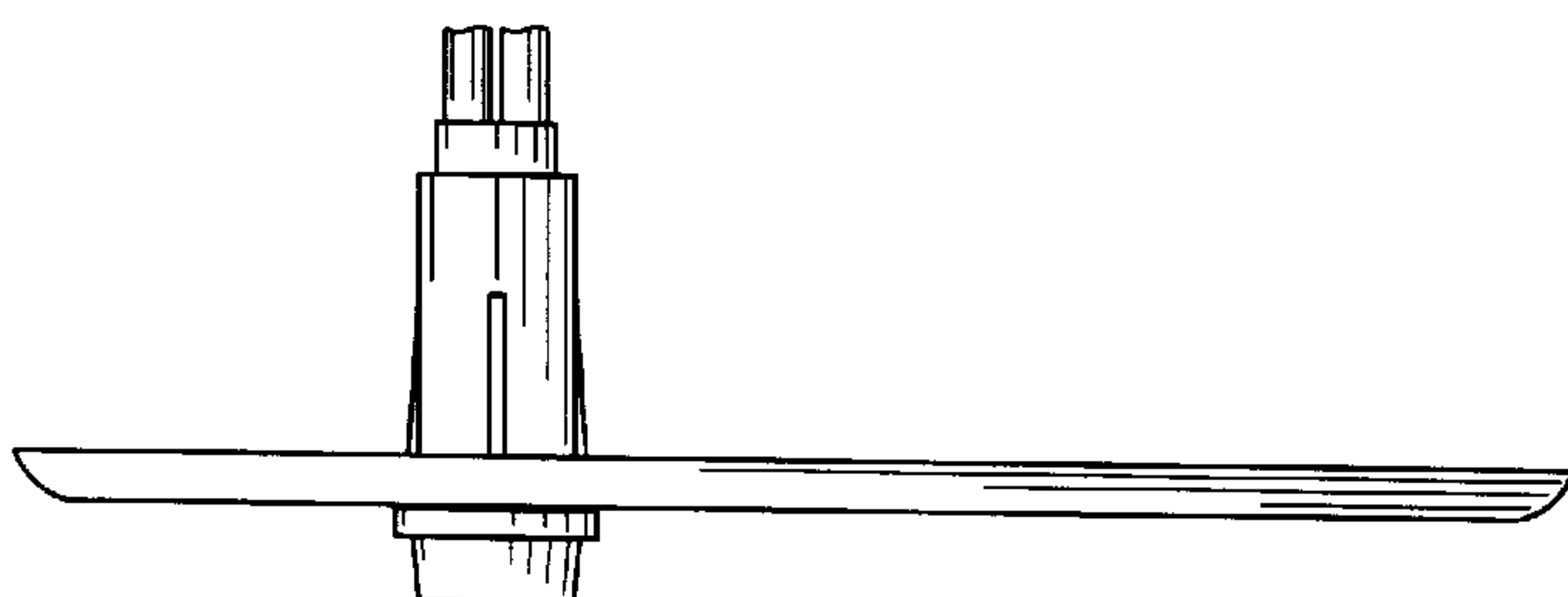


Fig. 10

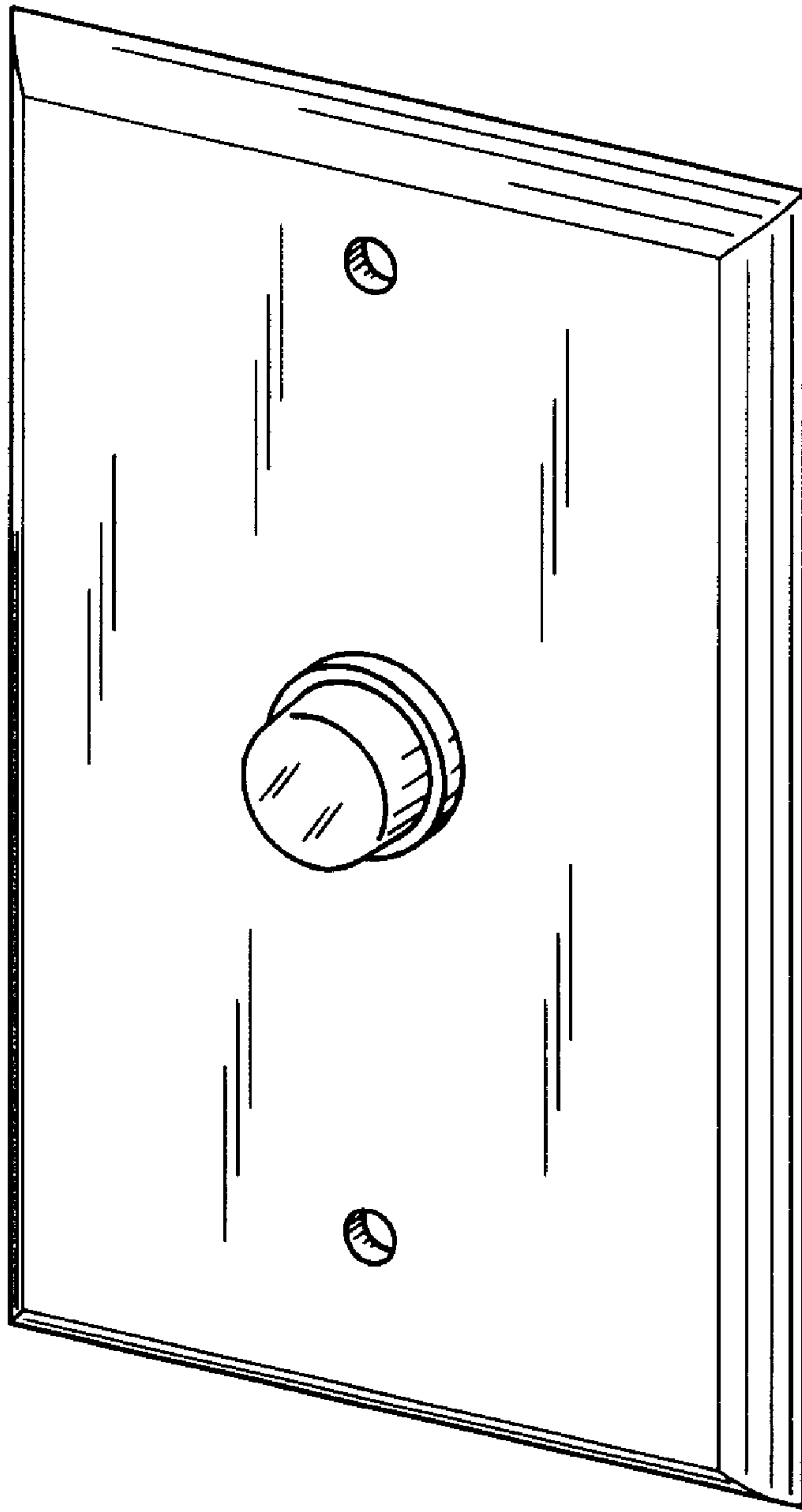


Fig. 11

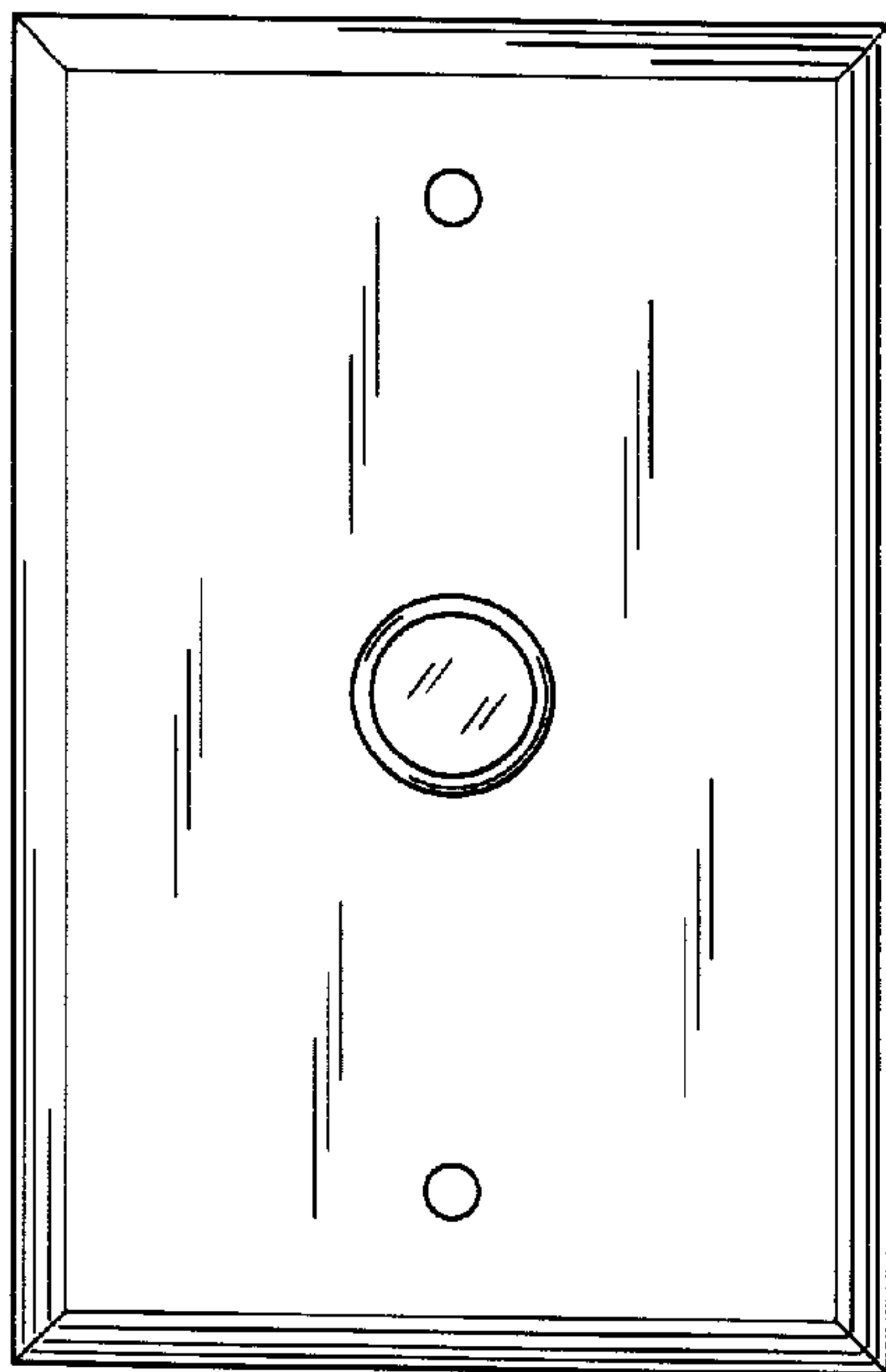


Fig. 12

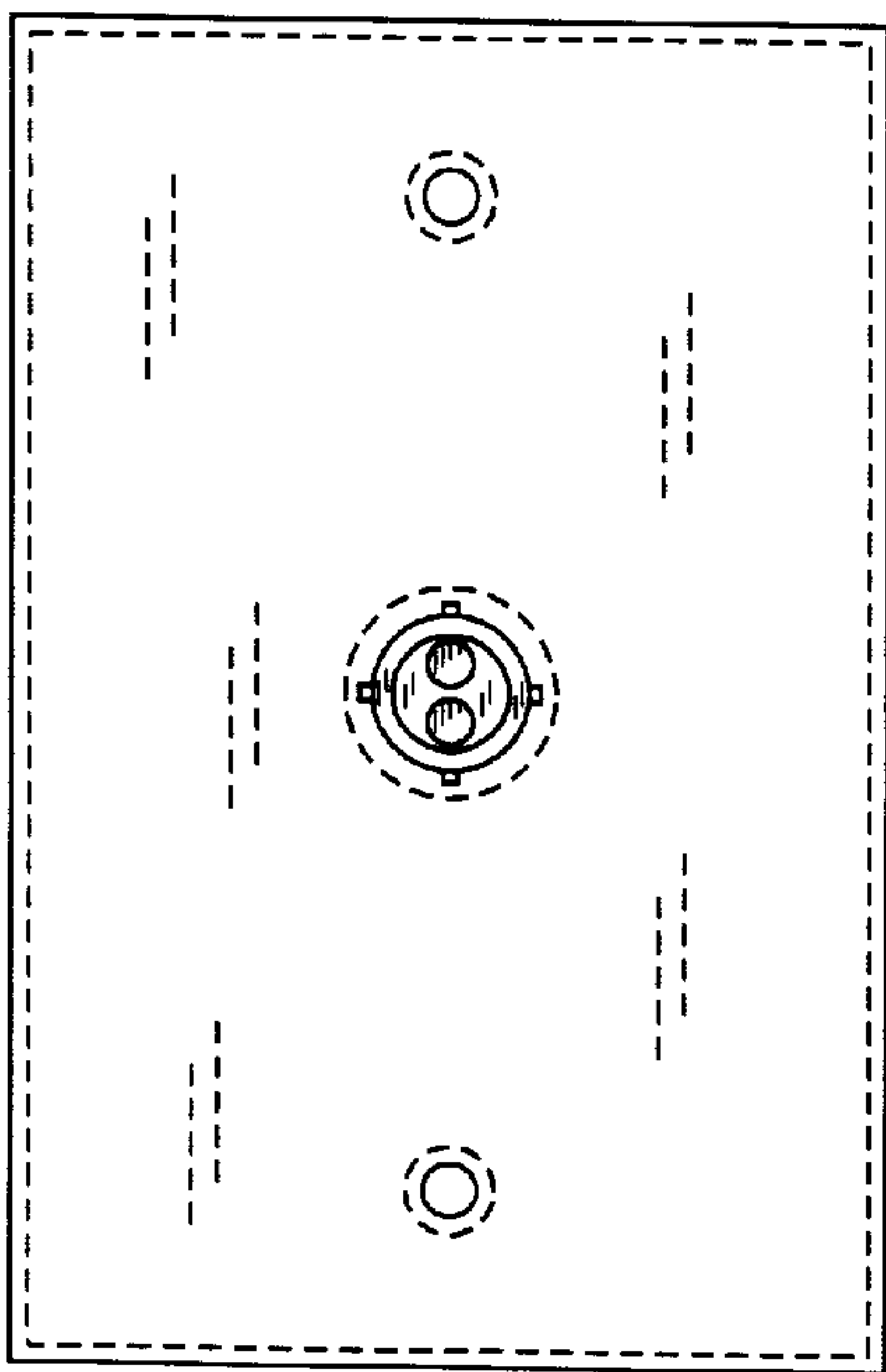


Fig. 13

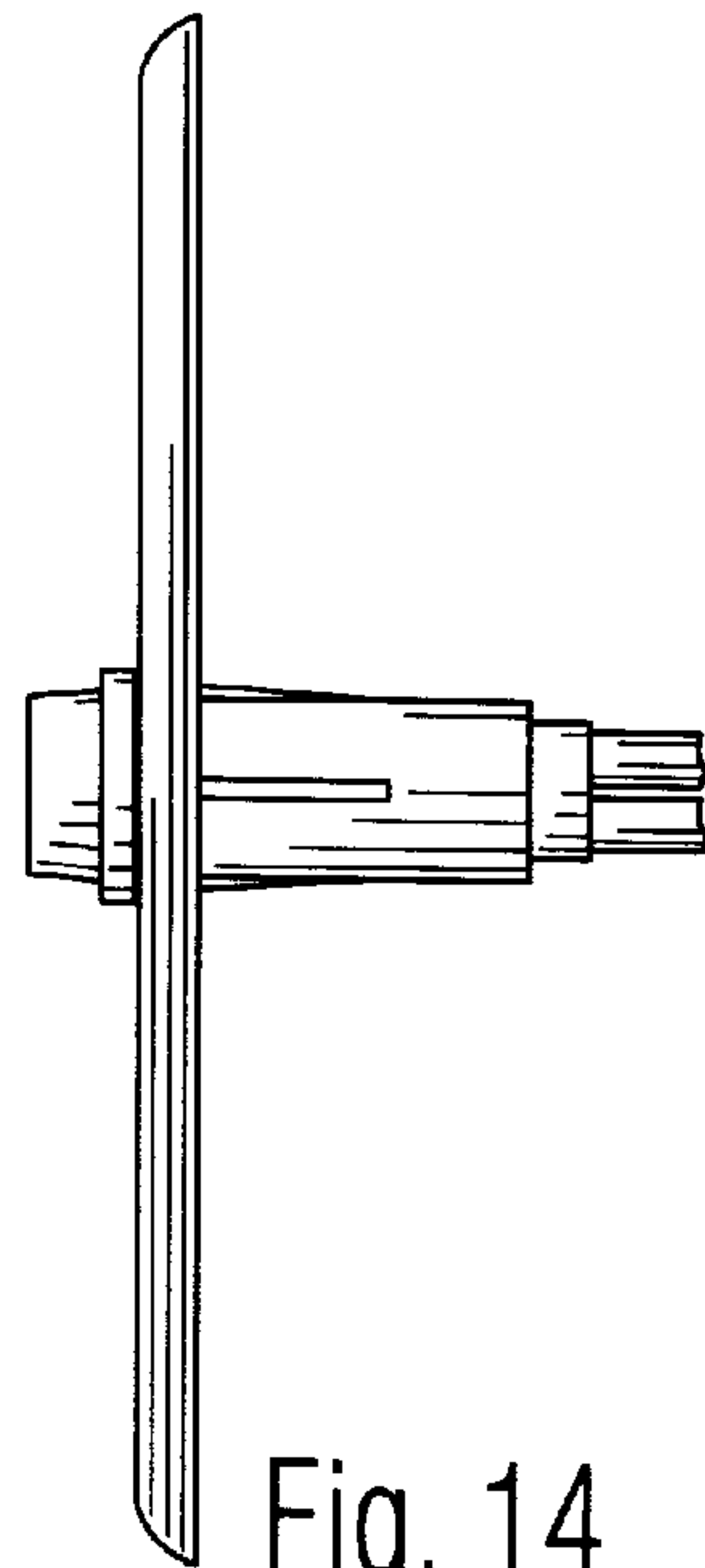


Fig. 14

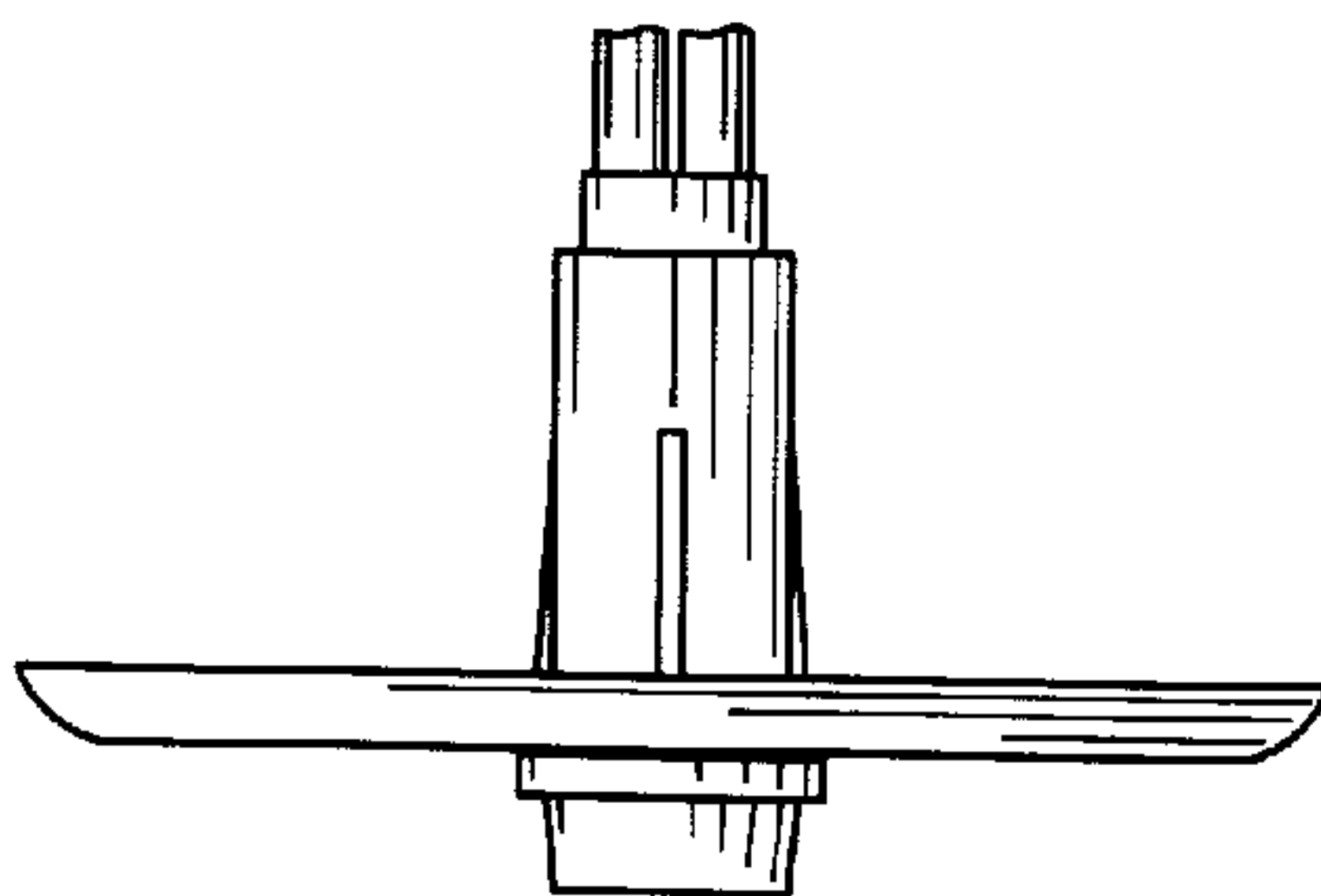


Fig. 15