



US00D433950S

United States Patent [19] Fallani

[11] Patent Number: **Des. 433,950**

[45] Date of Patent: **** Nov. 21, 2000**

[54] **WATCH**

[76] Inventor: **Roberto Fallani**, via San Niccolo' 73,
50125 Firenze, Italy

[**] Term: **14 Years**

[21] Appl. No.: **29/120,823**

[22] Filed: **Mar. 27, 2000**

[51] **LOC (7) Cl.** **10-02**

[52] **U.S. Cl.** **D10/39; D10/30**

[58] **Field of Search** D10/1-40, 122-132;
368/280-282, 276-277, 285

[56] **References Cited**

U.S. PATENT DOCUMENTS

D. 144,716 5/1946 Hurd D10/30

D. 283,984	5/1986	Kano	D10/39
D. 356,956	4/1995	Hitter	D10/32
1,505,521	8/1924	Kresser	D10/129 X
1,997,511	4/1935	Canepa	D10/30 X
4,015,422	4/1977	Haften	368/281

Primary Examiner—Nelson C. Holtje
Attorney, Agent, or Firm—McGlew and Tuttle, P.C.

[57] **CLAIM**

The ornamental design for a watch, as shown and described.

DESCRIPTION

FIG. 1 is a top side end perspective view of my new watch design;

FIG. 2 is a bottom side end perspective view thereof; and, FIG. 3 is a right side view thereof.

1 Claim, 3 Drawing Sheets





FIG. 1

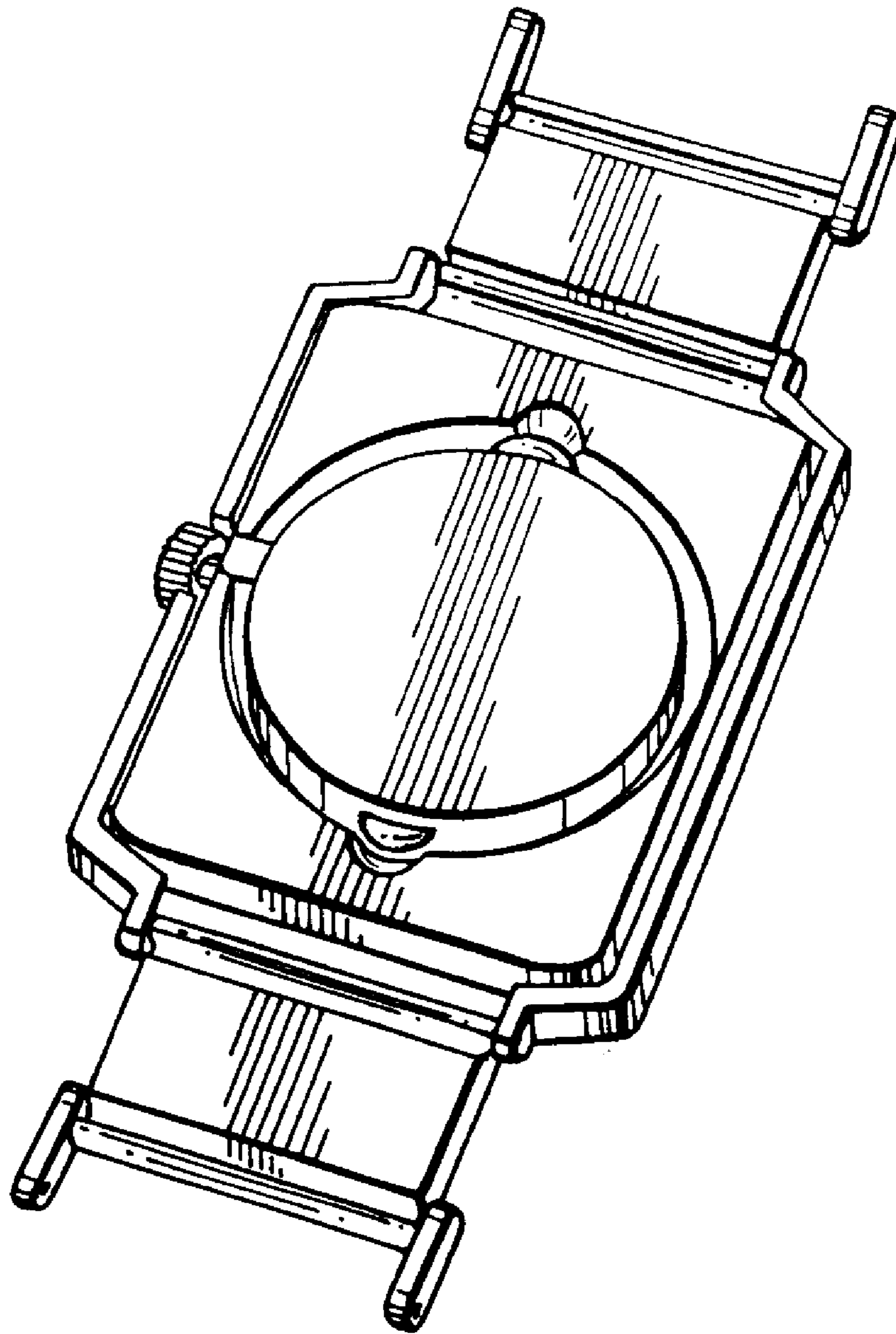


FIG. 2

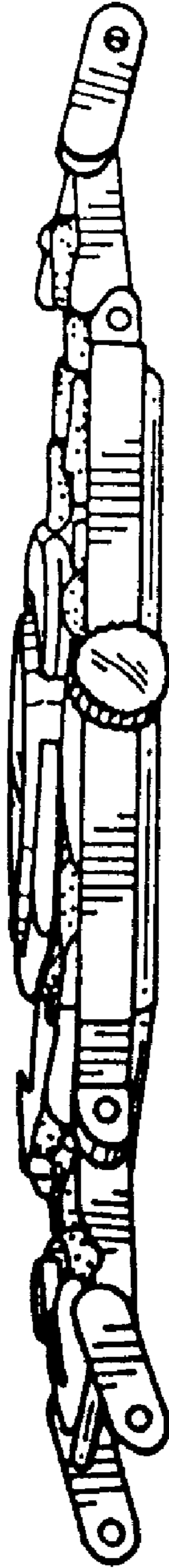


FIG. 3