



US00D433949S

United States Patent [19]
Helleu

[11] **Patent Number: Des. 433,949**

[45] **Date of Patent: ** Nov. 21, 2000**

[54] **WRIST WATCH CASE**

[75] Inventor: **Jacques Helleu**, Garches, France

[73] Assignee: **Chanel, Inc.**, New York, N.Y.

[**] Term: **14 Years**

[21] Appl. No.: **29/111,778**

[22] Filed: **Oct. 4, 1999**

[51] **LOC (7) Cl.** **10-02**

[52] **U.S. Cl.** **D10/30**

[58] **Field of Search** D10/1-40, 122-132;
368/280-282, 276-277, 285

[56] **References Cited**

U.S. PATENT DOCUMENTS

- D. 96,208 7/1935 Sunshine D10/30
- D. 224,913 10/1972 Maroni D10/32
- D. 313,559 1/1991 McDonnell D10/37
- D. 340,650 10/1993 Iwamura D10/32

- D. 341,326 11/1993 Rousseau D10/30
- D. 351,897 10/1994 Keeslar D23/233
- D. 356,960 4/1995 Courteault D10/39

Primary Examiner—Nelson C. Holtje
Attorney, Agent, or Firm—Notaro & Michalos P.C.

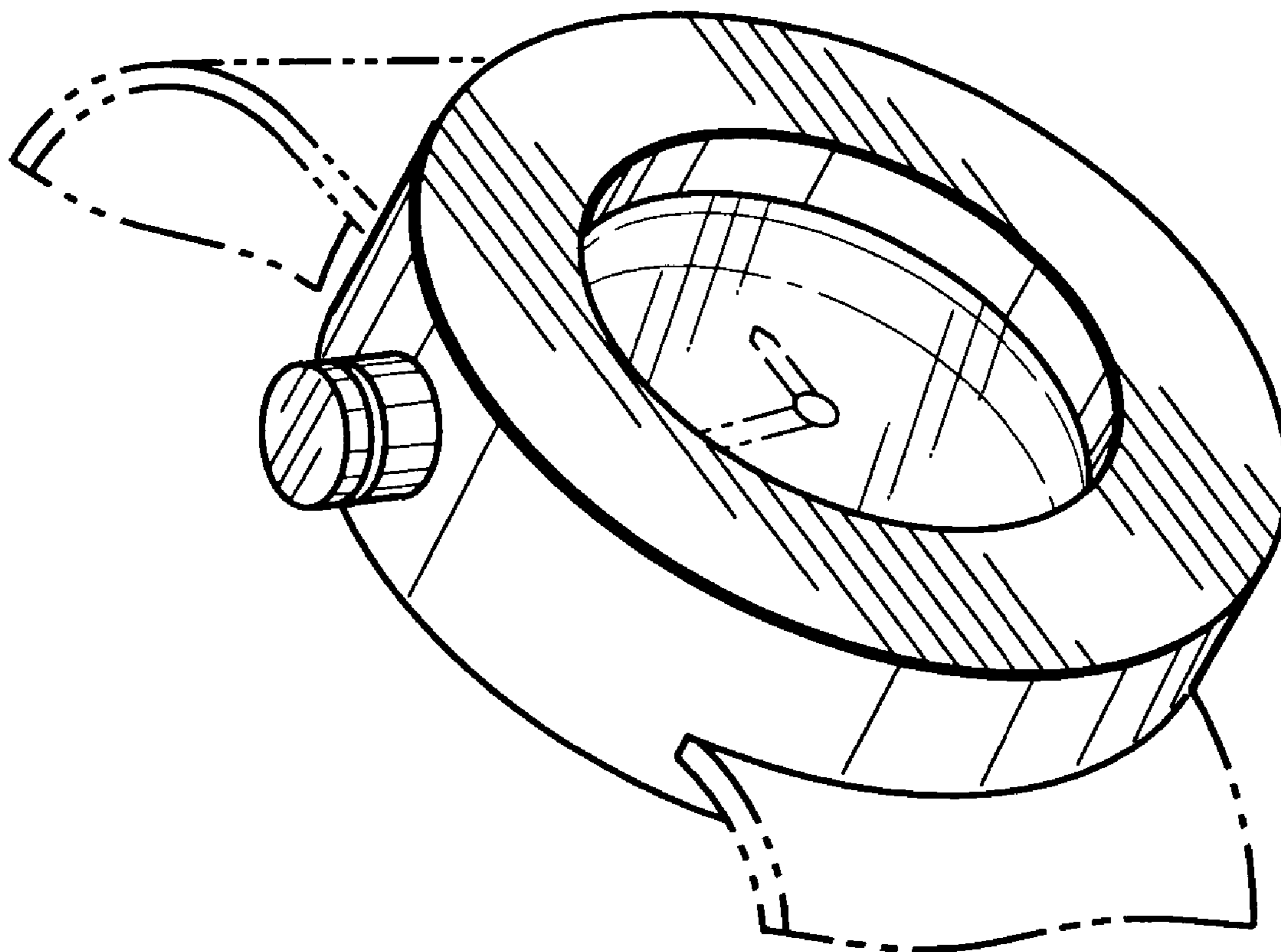
[57] **CLAIM**

The ornamental design for a wrist watch case, as shown and described.

DESCRIPTION

FIG. 1 is a top plan view of a wrist watch case showing my new design therefor;
FIG. 2 is a bottom plan view thereof;
FIG. 3 is a side elevational view thereof, the opposite side being an identical mirror image thereof;
FIG. 4 is a front elevational view thereof;
FIG. 5 is a rear elevational view thereof; and,
FIG. 6 is a top front, left perspective view thereof.

1 Claim, 4 Drawing Sheets



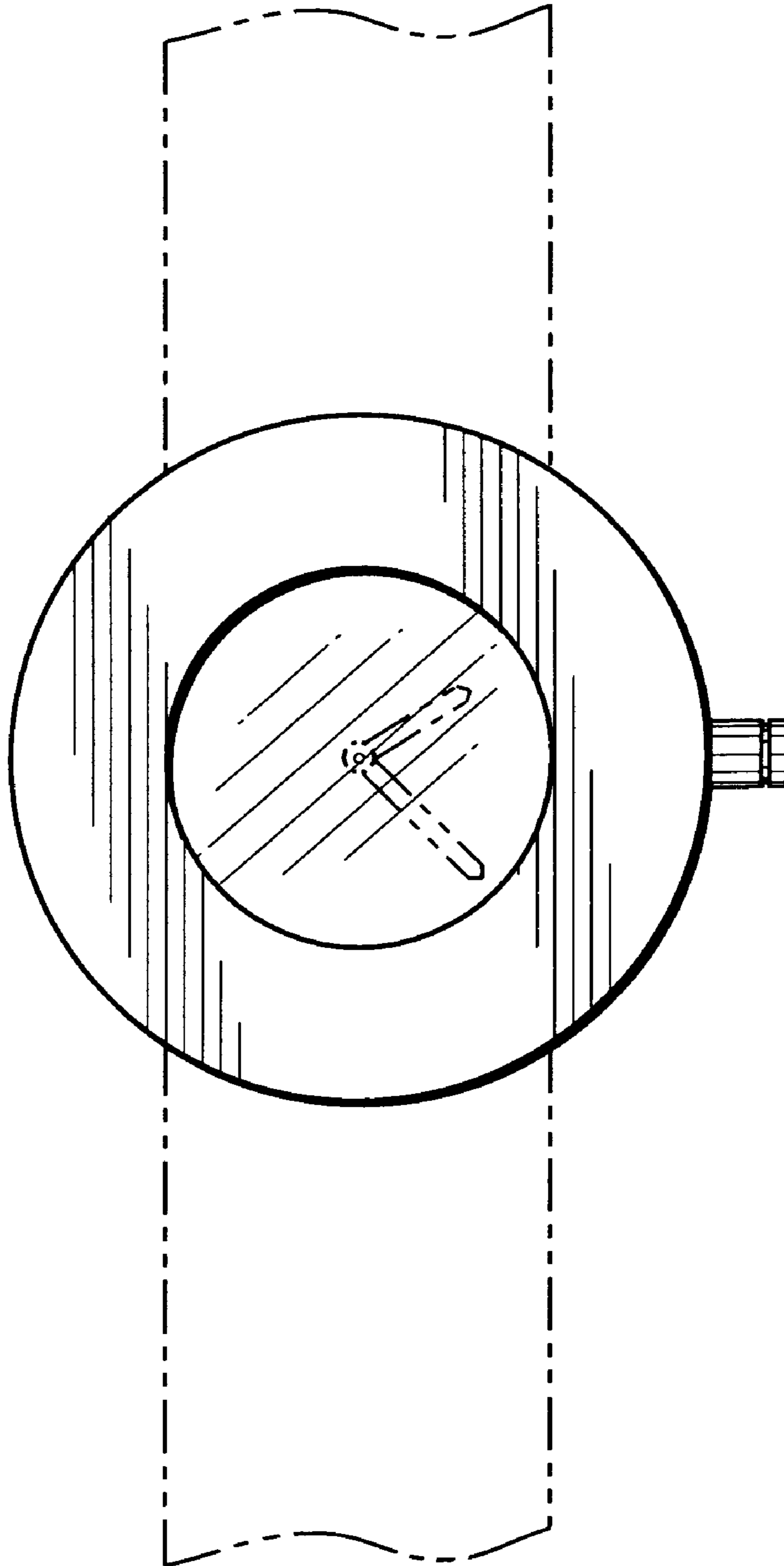


FIG. 1

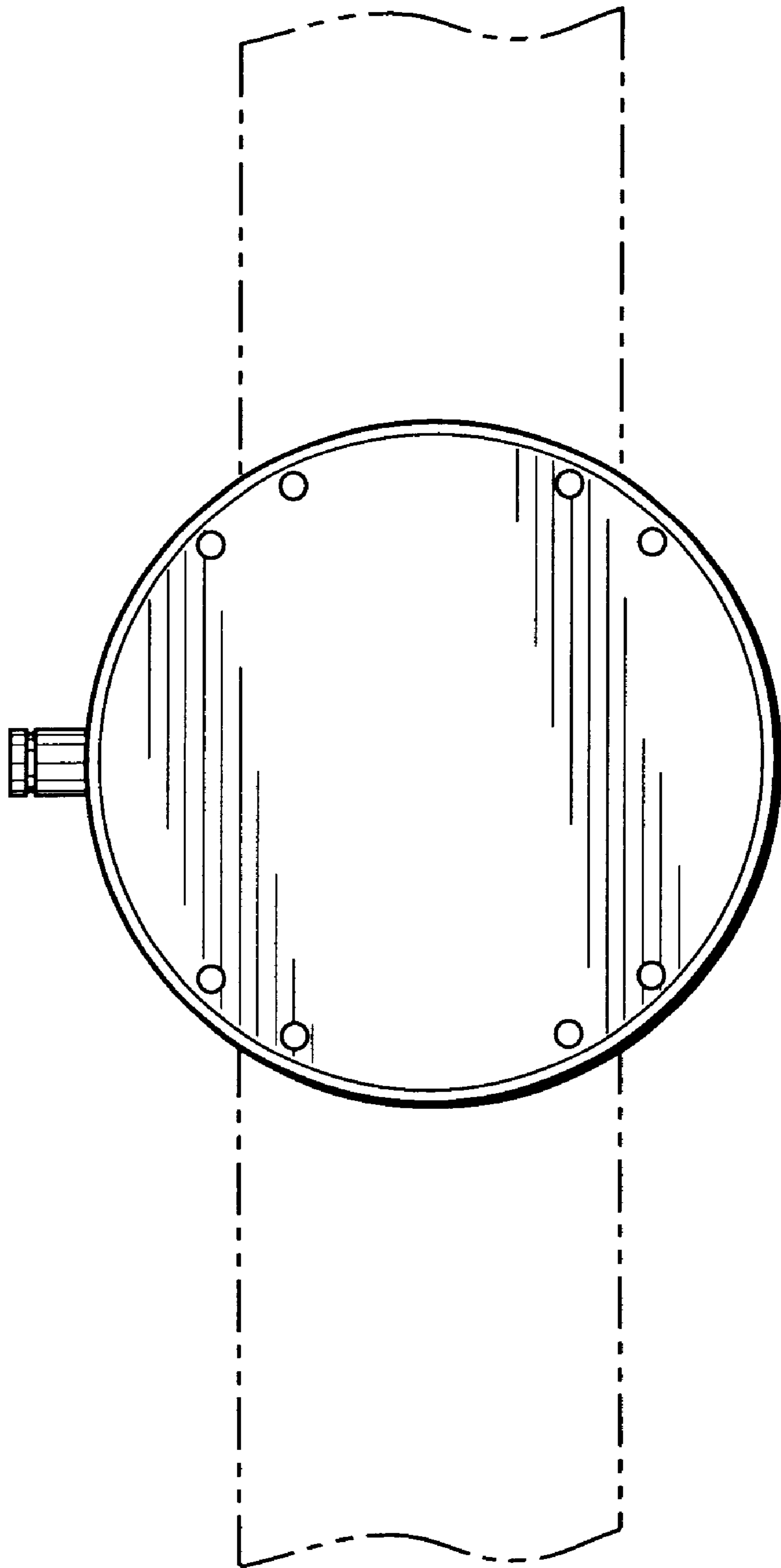


FIG. 2

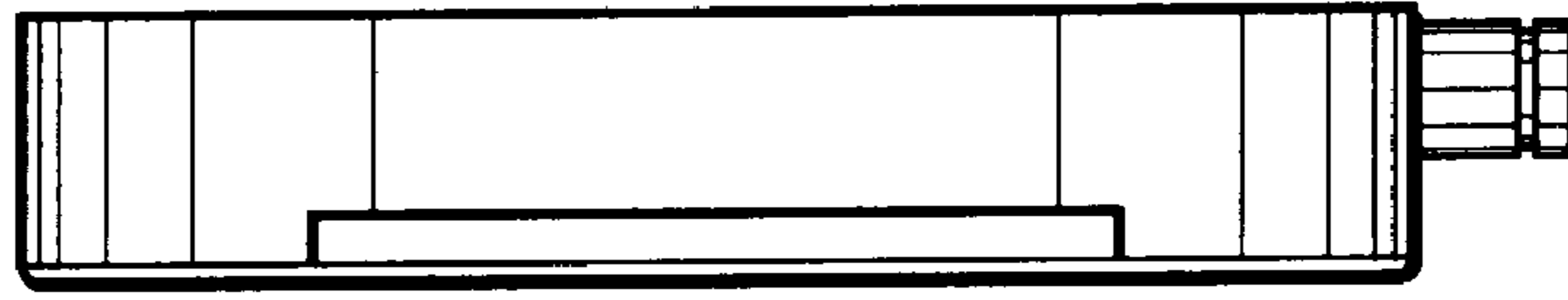


FIG. 3



FIG. 4

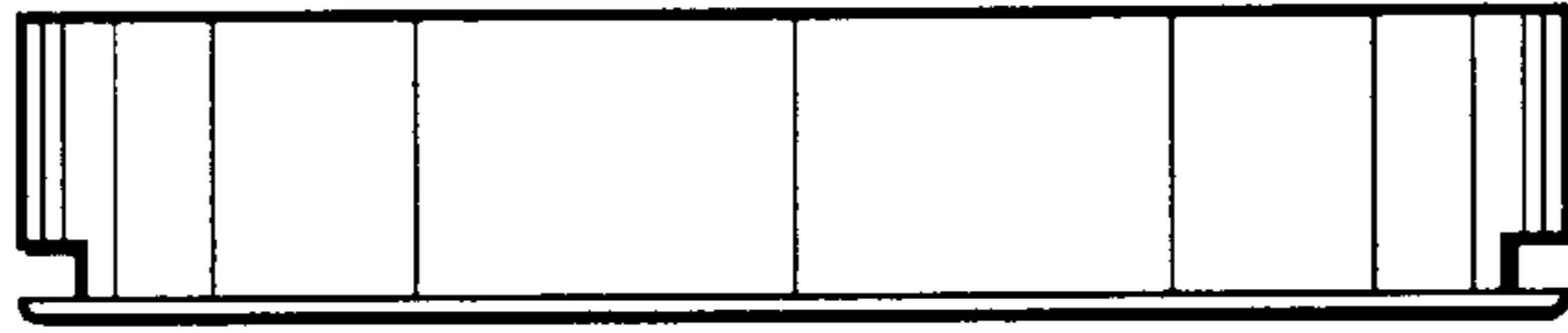


FIG. 5

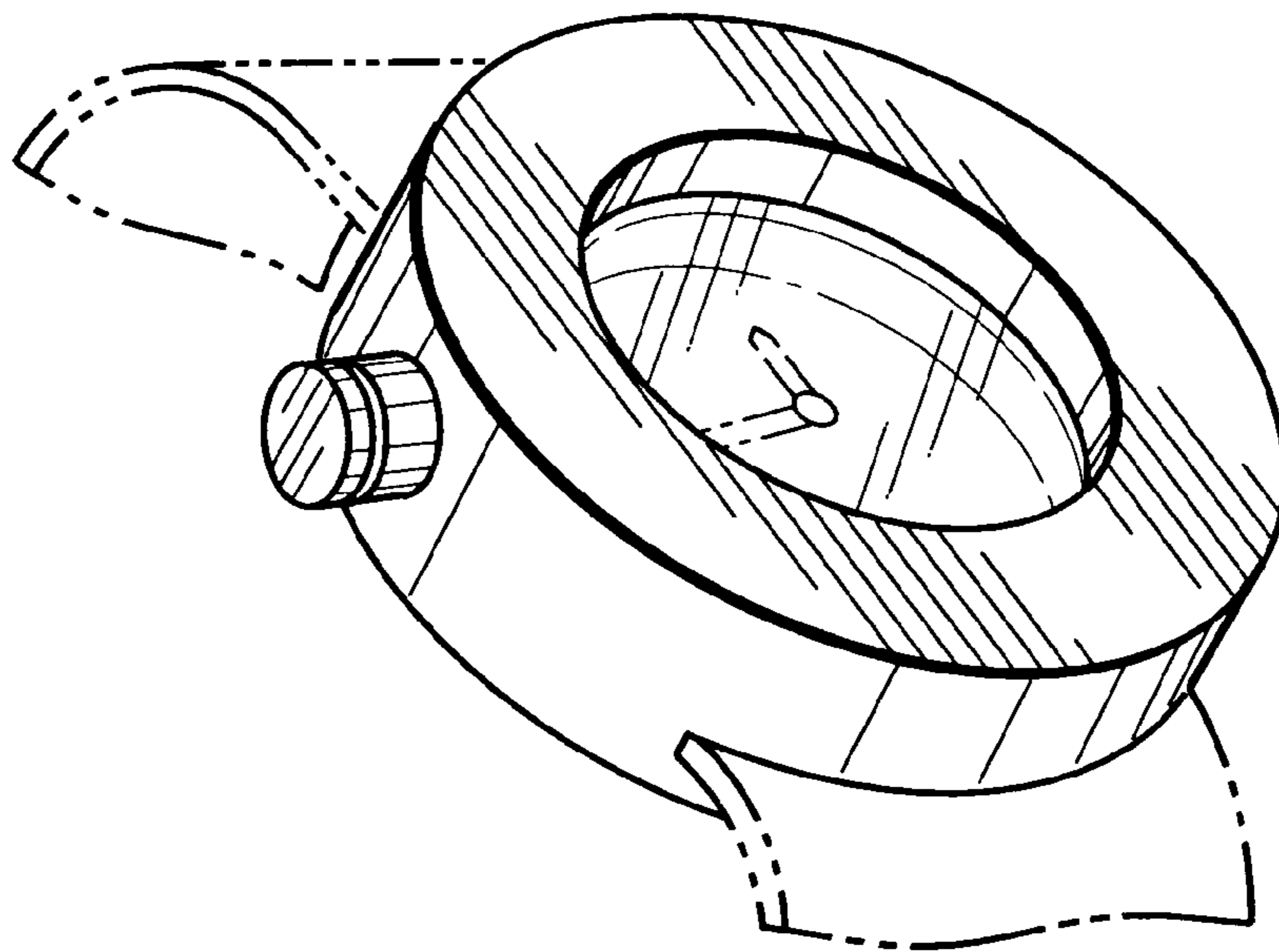


FIG. 6