



US00D433943S

United States Patent [19]

Keung et al.

[11] Patent Number: Des. 433,943

[45] Date of Patent: ** Nov. 21, 2000

[54] ERGONOMIC TRIGGER PUMP

[75] Inventors: **Wing K. Keung**, Perrysburg; **Kenneth S. Bloom**, Jerry City; **Ruixin Fan**, Perrysburg; **George R. Trepina**, Holland, all of Ohio; **William E. Chalupsky**, Woodbury, Minn.; **Timothy B. Kowal**, Maumee, Ohio

[73] Assignee: **Owens-Illinois Closure Inc.**, Toledo, Ohio

[**] Term: **14 Years**

[21] Appl. No.: **29/109,067**

[22] Filed: **Aug. 9, 1999**

[51] LOC (7) Cl. **09-07**

[52] U.S. Cl. **D9/448**

[58] Field of Search D9/300, 447, 448; 222/153.1-153.14, 383.1, 383.2, 383.3, 384, 385, 568; 239/333, 396, 397; D23/17, 213, 223-229

[56] **References Cited**

U.S. PATENT DOCUMENTS

- D. 277,978 3/1985 Bundschuh D23/17
- D. 337,945 8/1993 Warner D9/448
- D. 357,408 4/1995 Silvenis et al. D9/300
- D. 358,198 5/1995 Wadsworth .

- D. 377,602 1/1997 Wadsworth D9/448
- D. 419,876 2/2000 Keung D9/448
- D. 424,939 5/2000 Fan et al. D9/448
- 4,538,745 9/1985 Dunning et al. .
- 5,337,921 8/1994 Wilson et al. 222/383.1
- 5,704,521 1/1998 Grogan et al. 222/383.1
- 5,706,984 1/1998 Tada et al. 222/383.1
- 6,003,738 12/1999 Foster et al. 222/383.1

FOREIGN PATENT DOCUMENTS

WO 99/11386 3/1999 WIPO .

Primary Examiner—Robert M. Spear

[57] **CLAIM**

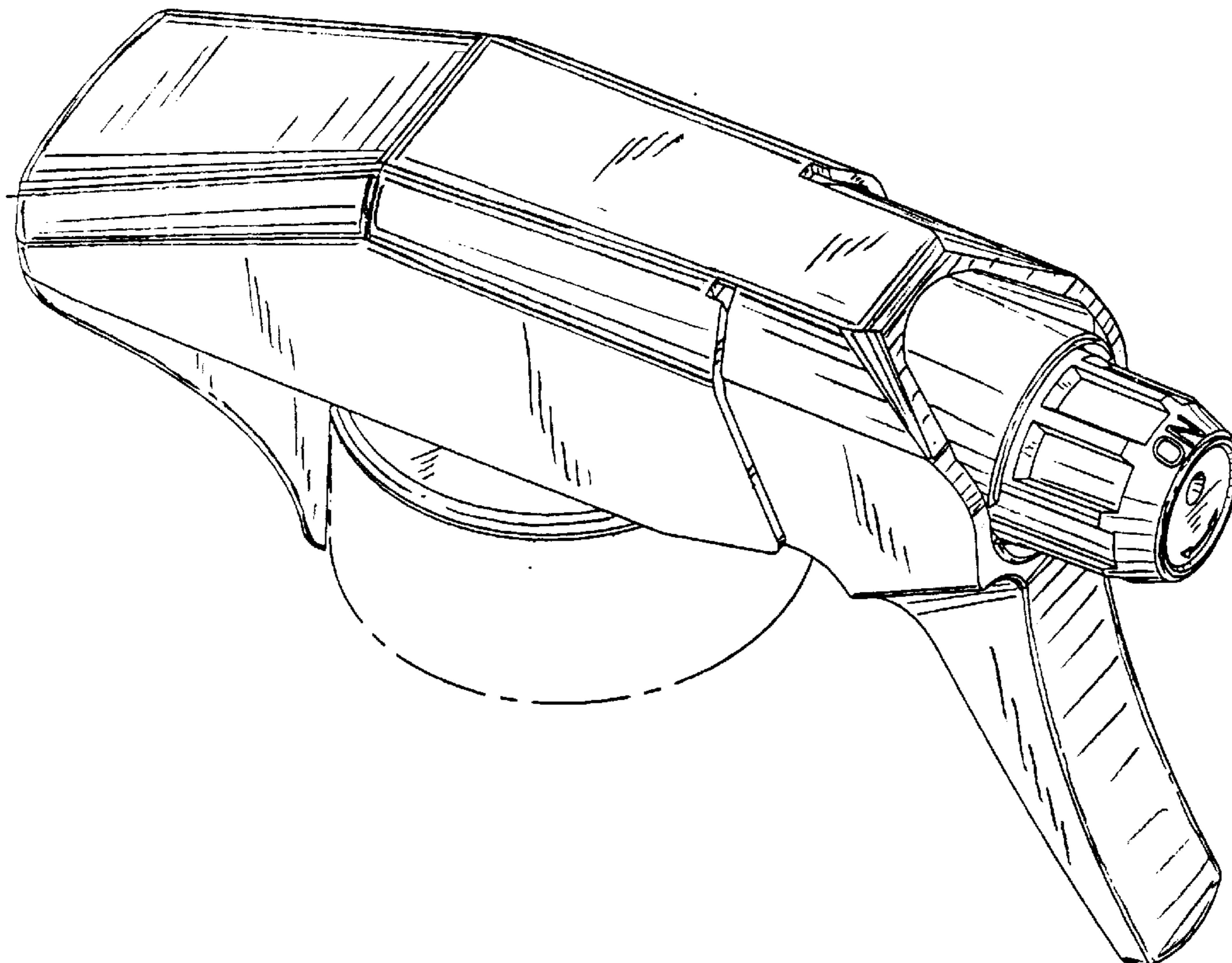
We claim the ornamental design for an ergonomic trigger pump, as shown and described.

DESCRIPTION

FIG. 1 is a perspective view of the design; FIG. 2 is a left side elevation (the right side elevation is a mirror image of the left side); FIG. 3 is a top plan view; FIG. 4 is a rear elevation; FIG. 5 is a front elevation; and, FIG. 6 is a bottom plan view.

In the drawings, the broken line showing of a closure is for illustrative purposes only and forms no part of the claimed design.

1 Claim, 2 Drawing Sheets



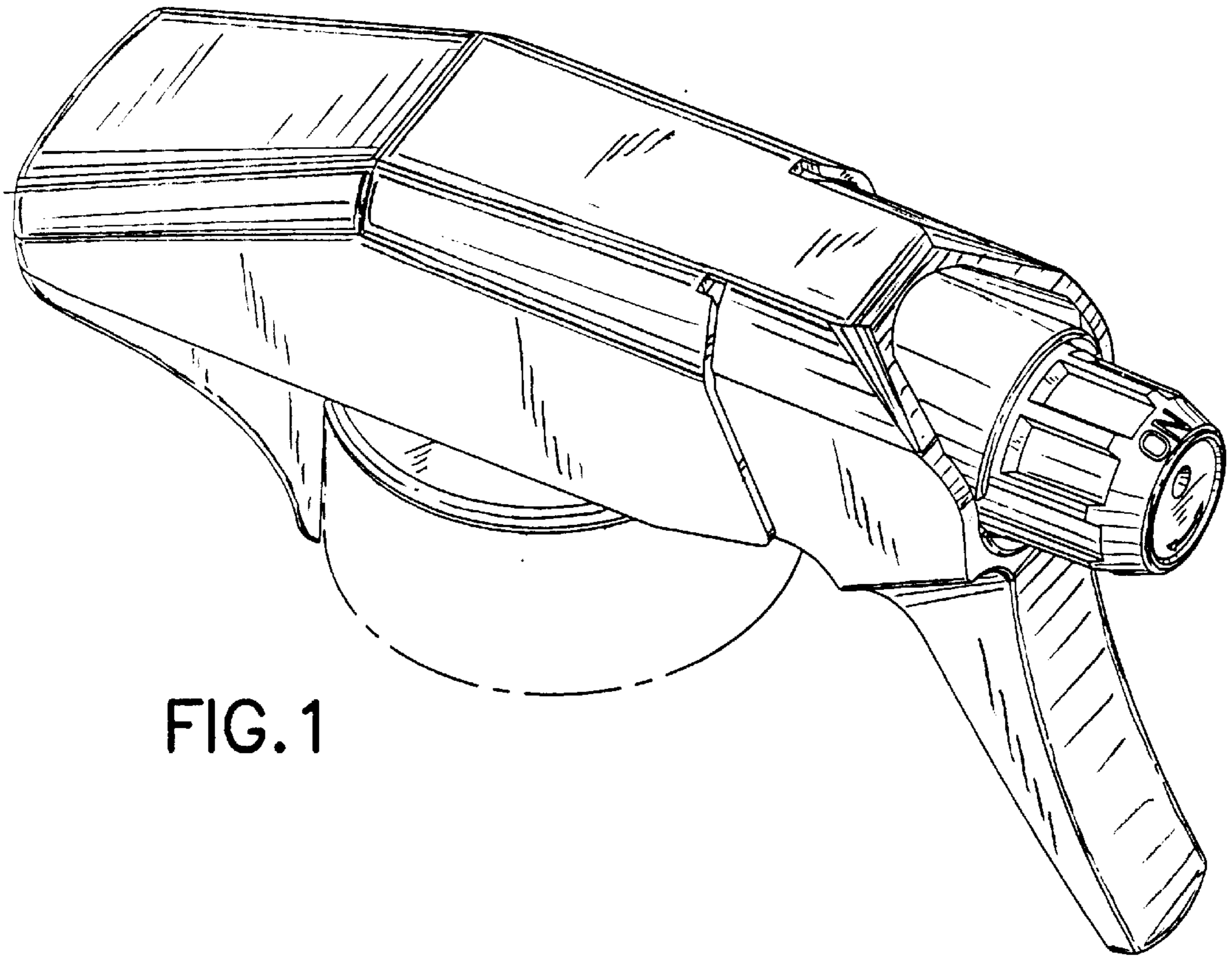


FIG. 1

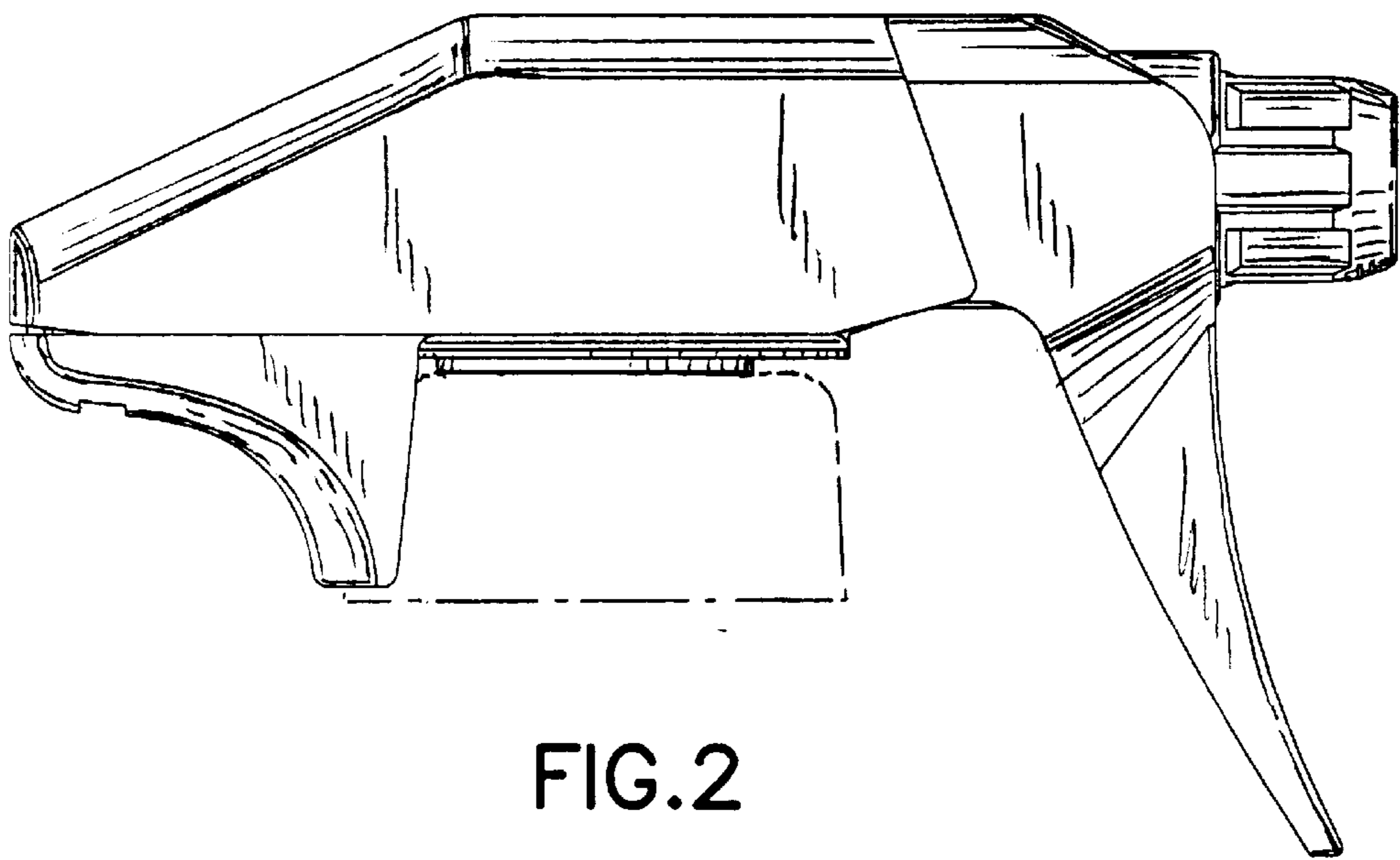


FIG. 2

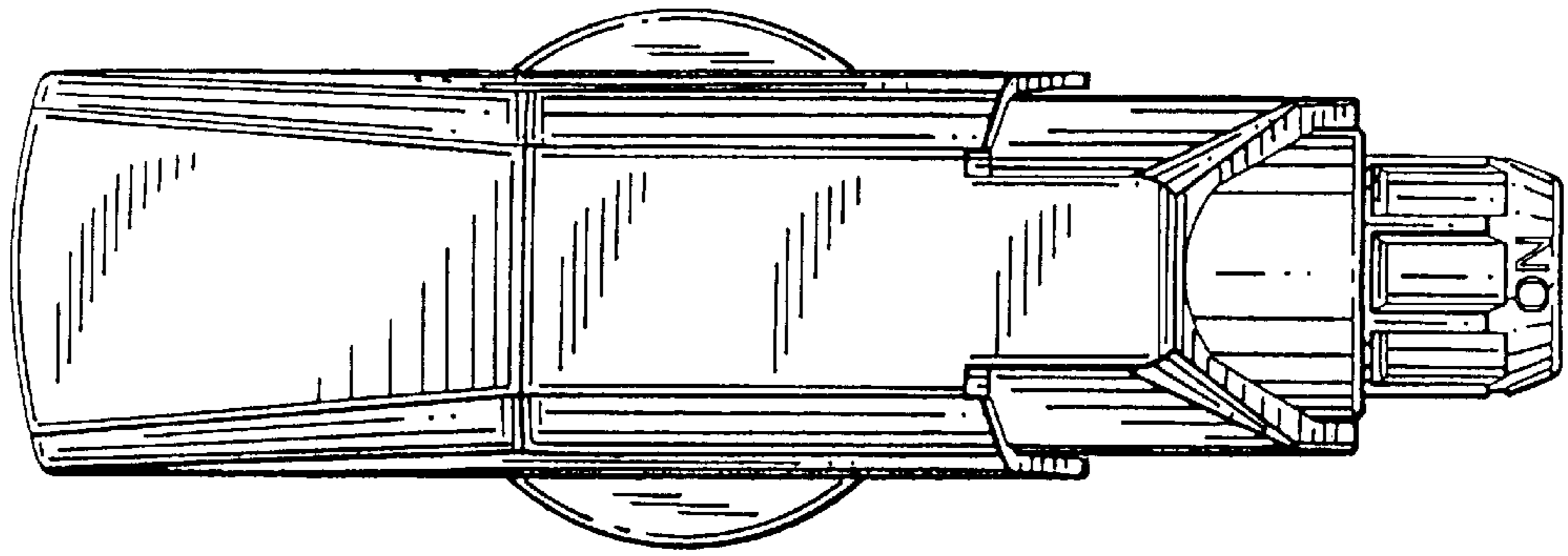


FIG.3

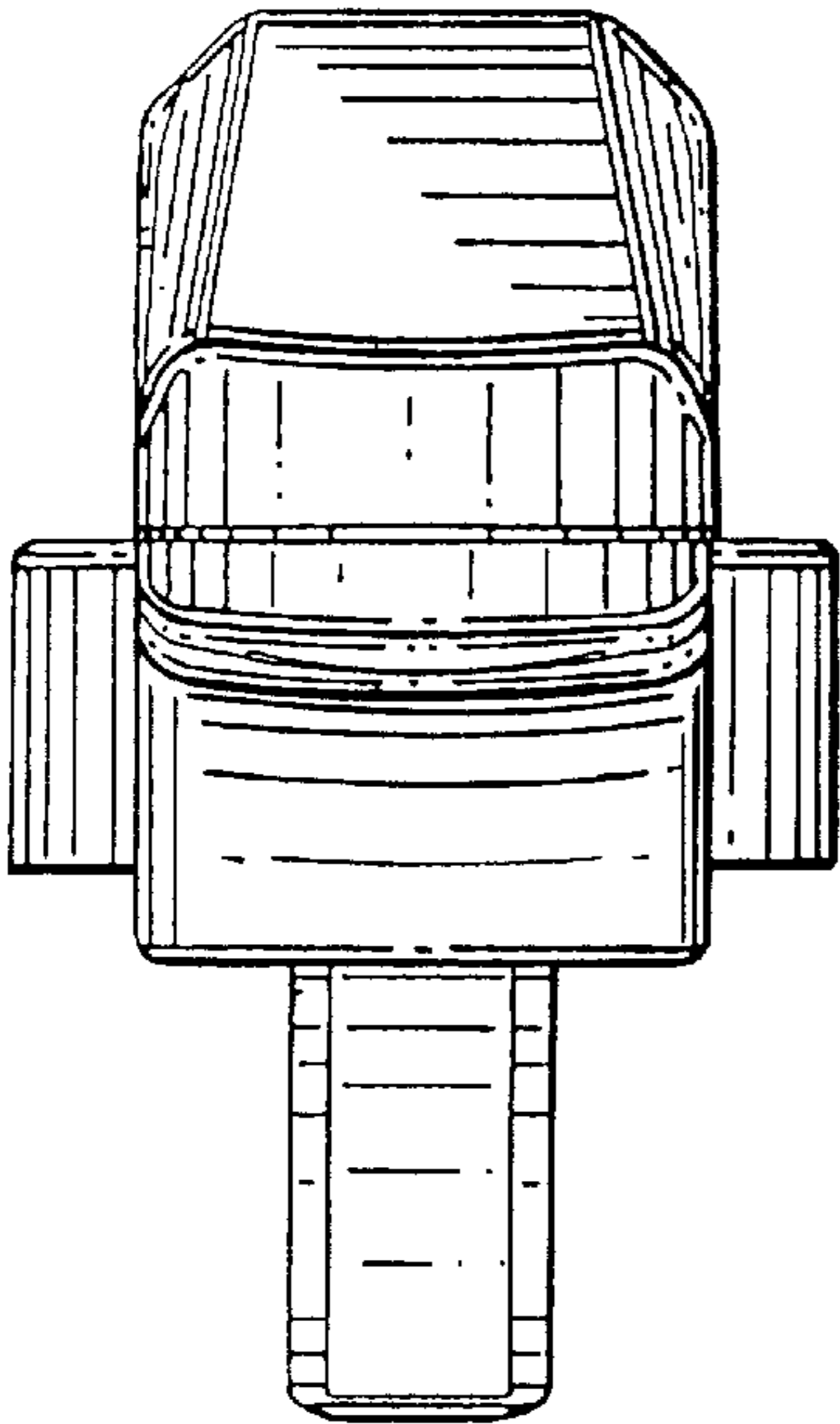


FIG.4

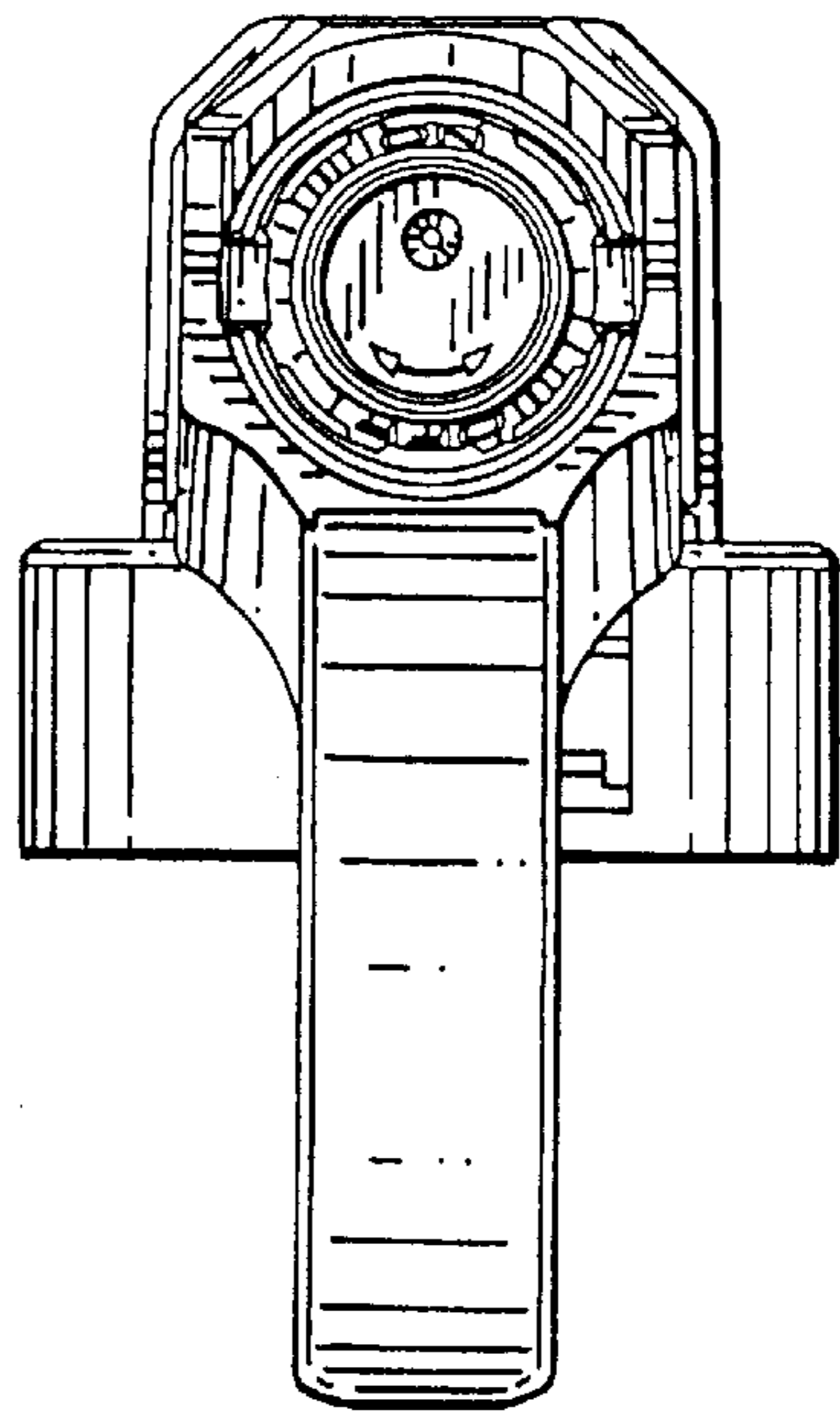


FIG.5

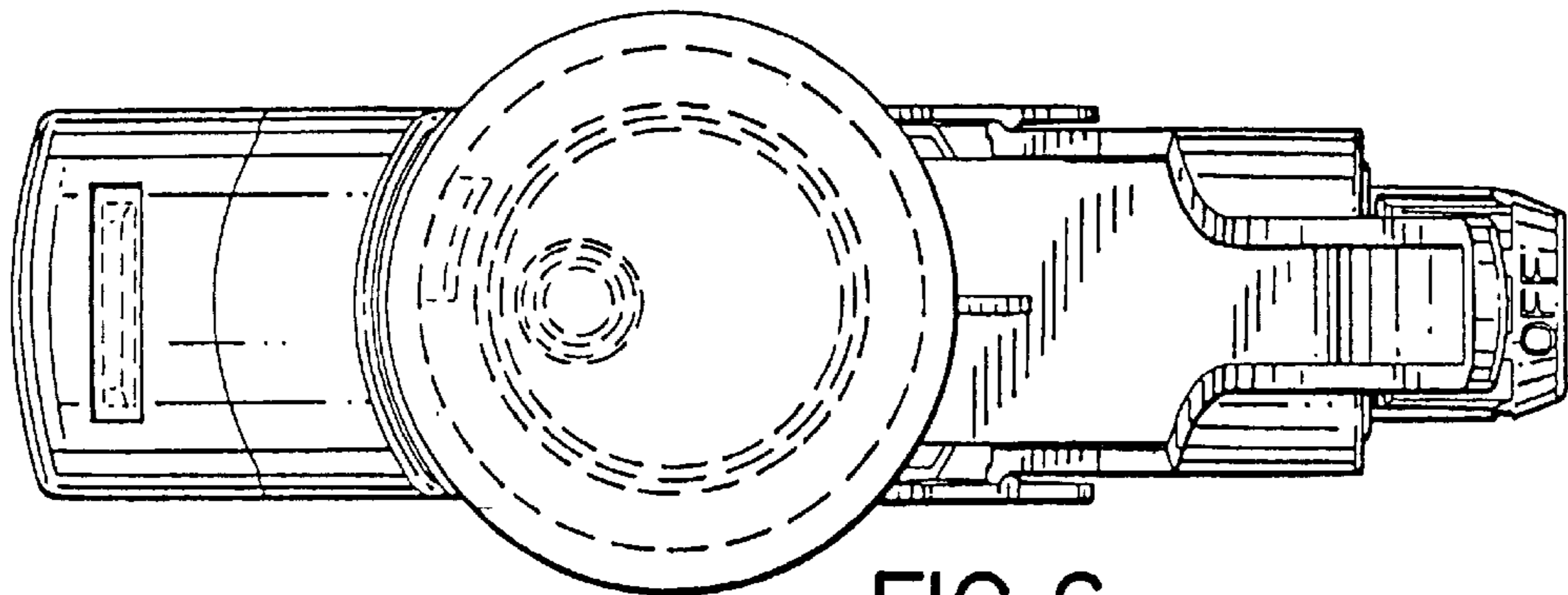


FIG.6