



US00D433942S

United States Patent [19]

Persson et al.

[11] Patent Number: Des. 433,942

[45] Date of Patent: ** Nov. 21, 2000

[54] BOX

[75] Inventors: **Håkan Persson**, Göteborg; **Solgun Drevik**, Mölnlycke, both of Sweden

[73] Assignee: **SCA Hygiene Products AB**, Gothenburg, Sweden

[**] Term: **14 Years**

[21] Appl. No.: **29/120,277**

[22] Filed: **Mar. 17, 2000**

Related U.S. Application Data

[62] Division of application No. 29/111,803, Oct. 6, 1999.

[30] Foreign Application Priority Data

Apr. 8, 1999 [SE] Sweden 99-0635

[51] LOC (7) Cl. **09-03**

[52] U.S. Cl. **D9/432; D9/416**

[58] Field of Search D9/337, 339, 341, D9/345-346, 414, 430-433, 499; 206/448; 229/112, 117.01, 223

[56] References Cited

U.S. PATENT DOCUMENTS

- D. 33,511 11/1900 Engberg .
- D. 33,941 1/1901 Craw .
- 86,544 2/1869 Howells .
- D. 338,046 8/1993 Fisscher .
- D. 358,092 5/1995 Cai .
- D. 369,744 5/1996 Cai .

- D. 418,057 12/1999 Morell .
- 1,164,868 12/1915 Redman .
- 1,501,016 7/1924 Young .
- 1,623,547 4/1927 Neumann .
- 1,931,293 10/1933 Morck .
- 2,002,364 5/1935 Daller .
- 2,670,892 3/1954 Kendrick .
- 2,750,097 6/1956 Moore 229/113
- 3,145,905 8/1964 Moore 229/113
- 3,662,945 5/1972 Foster et al. .
- 4,230,729 10/1980 Hoelzel, Jr. .
- 4,373,637 2/1983 Shippell .
- 4,712,687 12/1987 Silcott et al. .
- 4,917,290 4/1990 Saiki et al. .
- 5,040,721 8/1991 Essack .
- 5,971,261 10/1999 Grunfeld et al. .

Primary Examiner—James Gandy
Assistant Examiner—Carol Rademaker
Attorney, Agent, or Firm—Young & Thompson

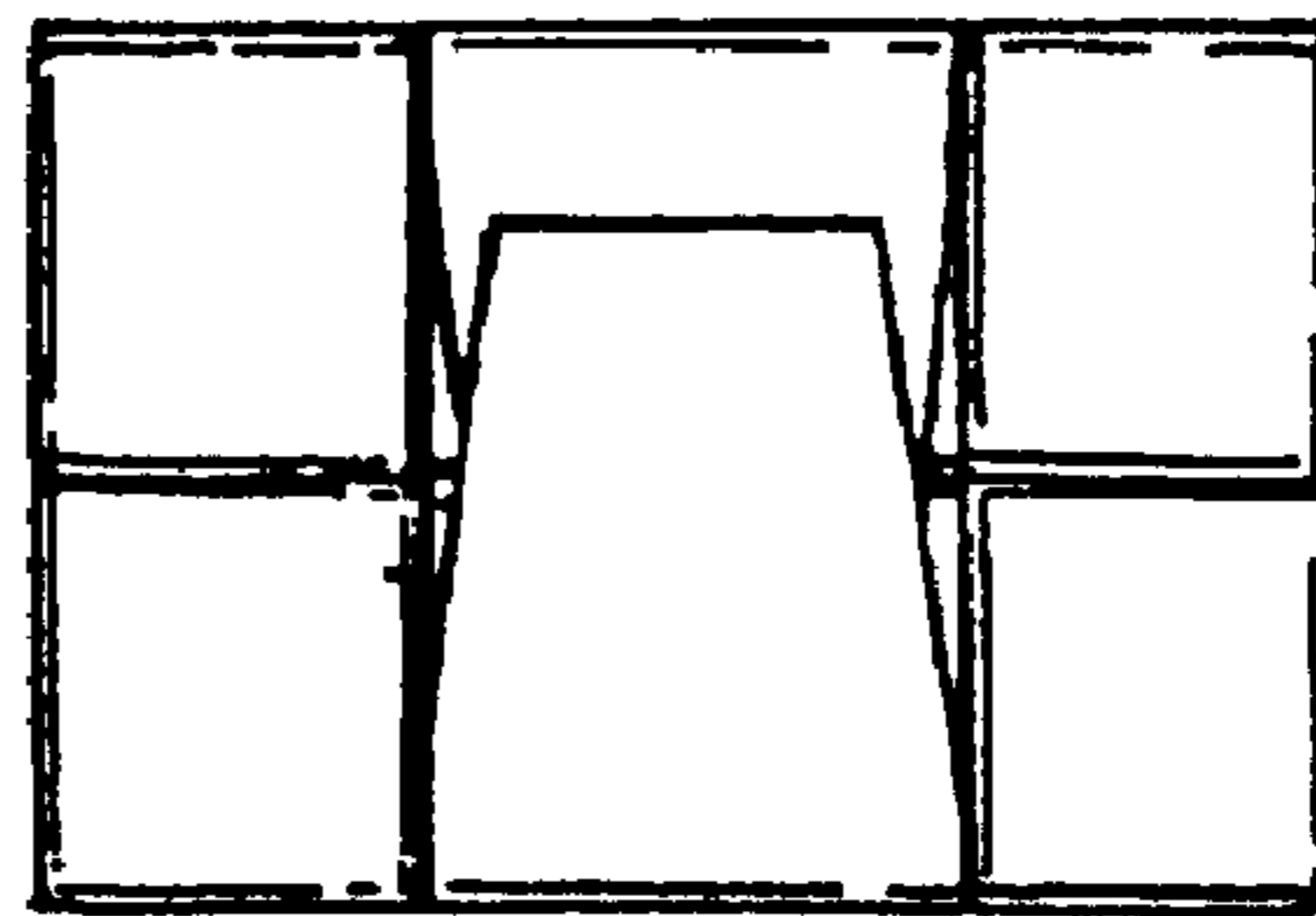
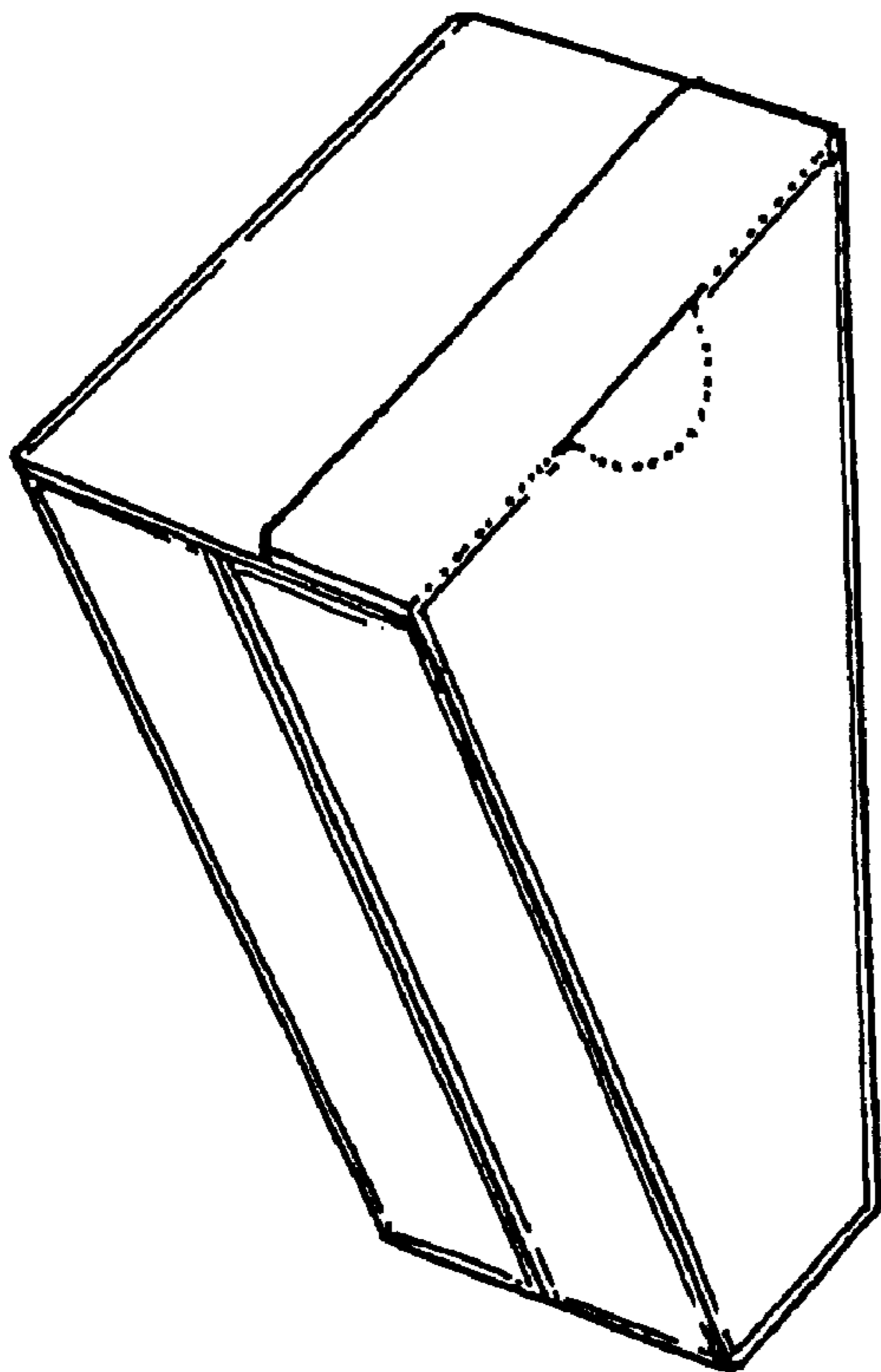
[57] CLAIM

The ornamental design for a box, as shown.

DESCRIPTION

FIG. 1 is a perspective view of a box showing our new design;
FIG. 2 is front elevational view thereof;
FIG. 3 is a rear elevational view thereof;
FIG. 4 is a left side elevational view thereof;
FIG. 5 is a right side elevational view thereof;
FIG. 6 is a top plan view thereof; and,
FIG. 7 is a bottom plan view thereof.
The dotted lines shown in FIGS. 1 & 3 represent tear lines.

1 Claim, 2 Drawing Sheets



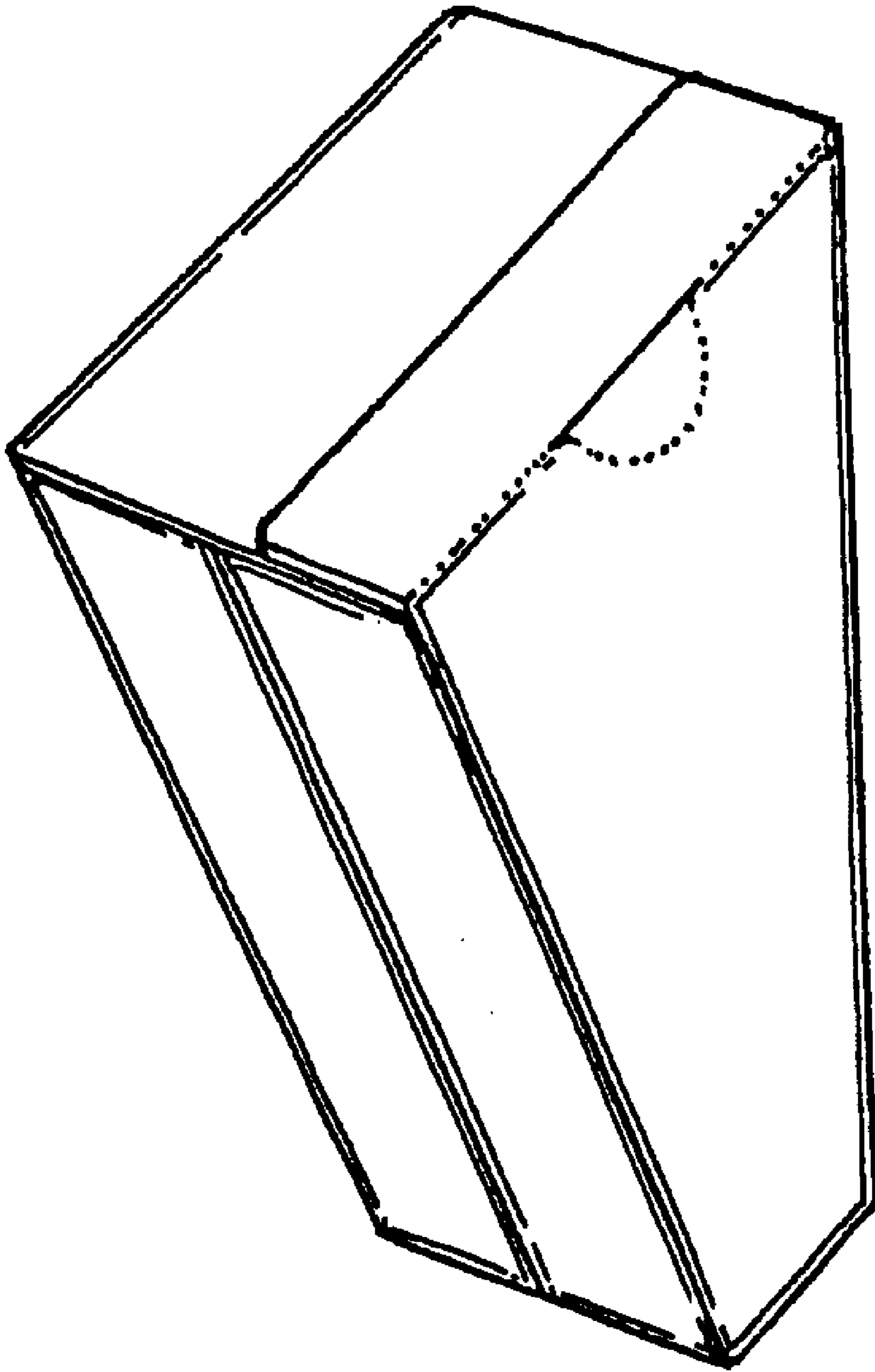


Fig. 1

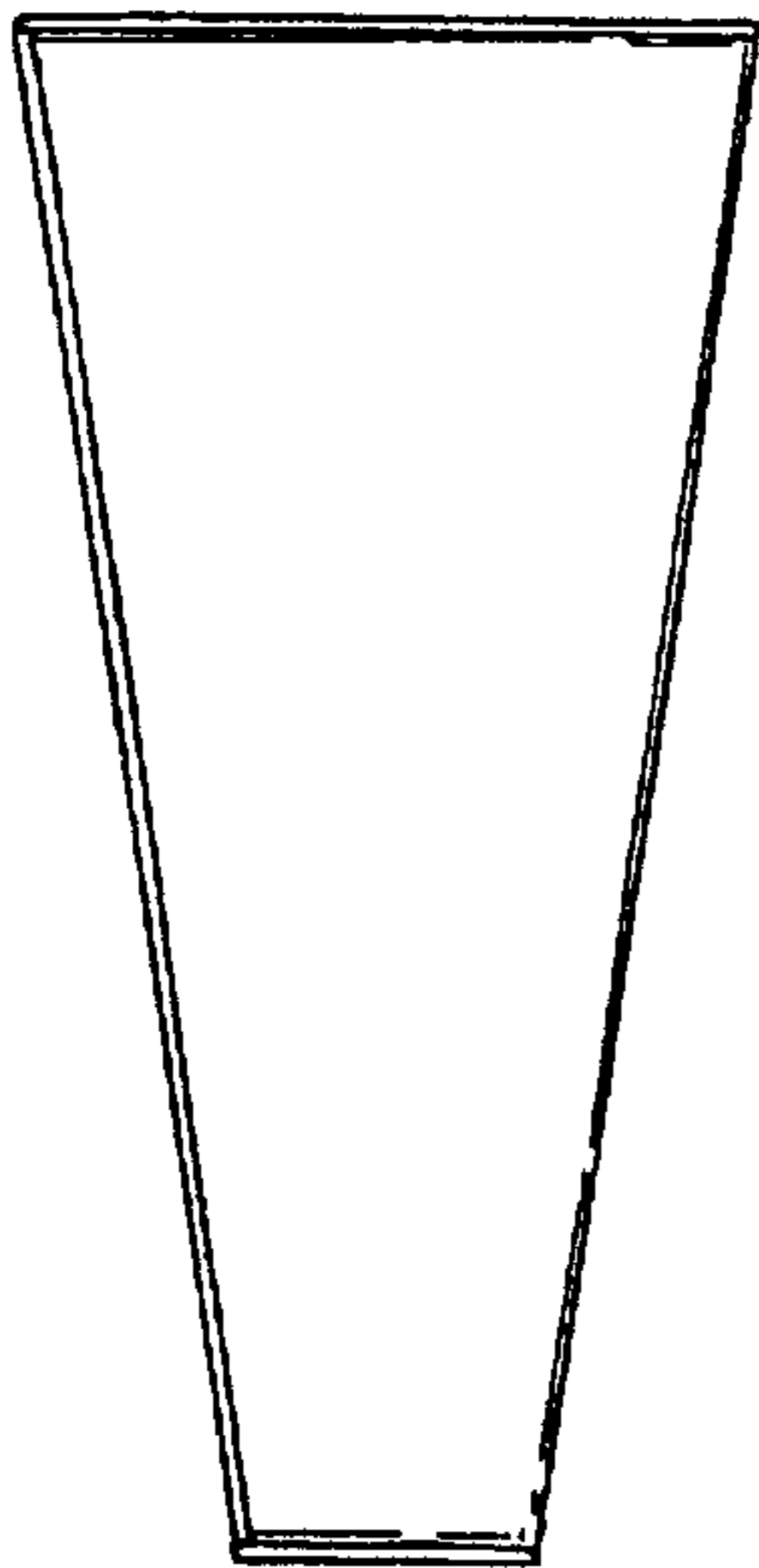


Fig. 2

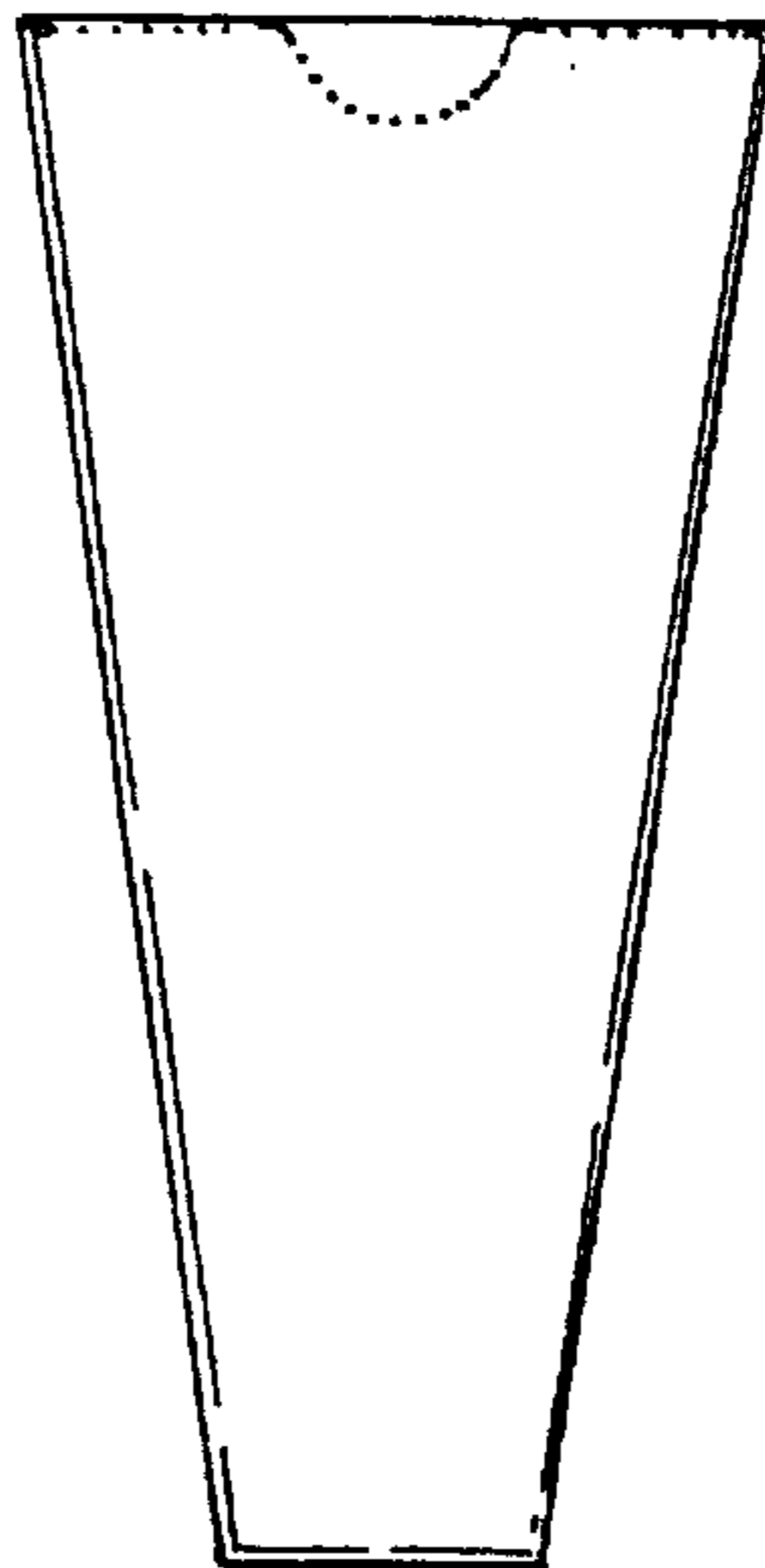


Fig. 3

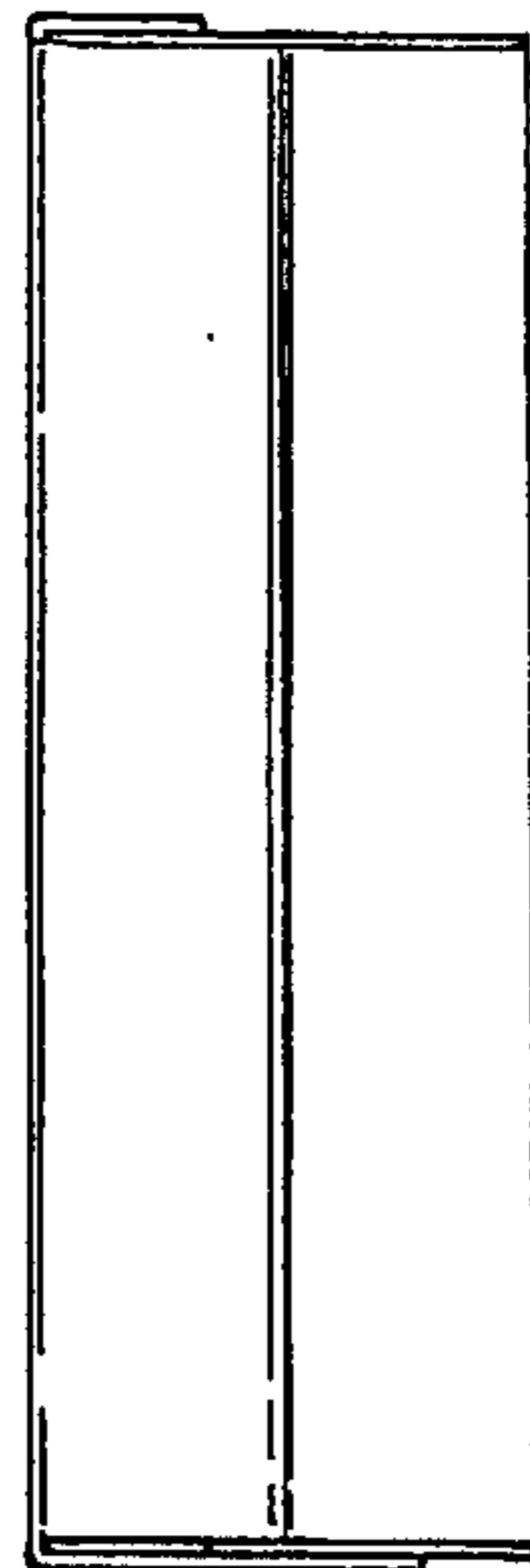


Fig. 4

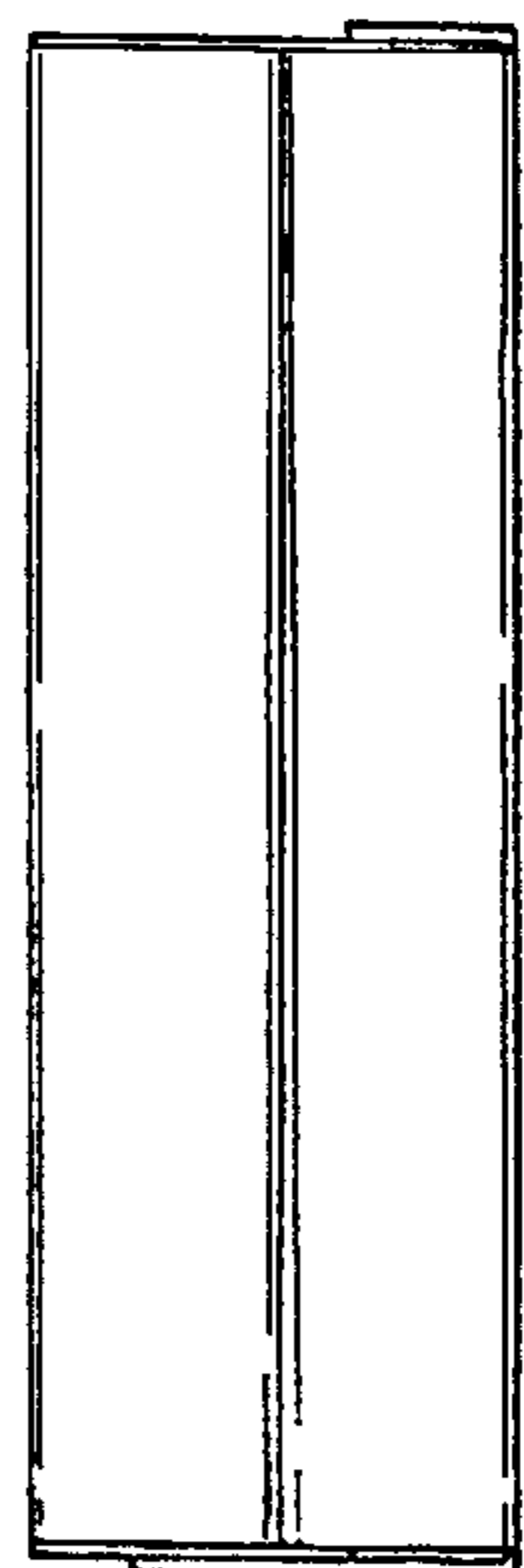


Fig. 5

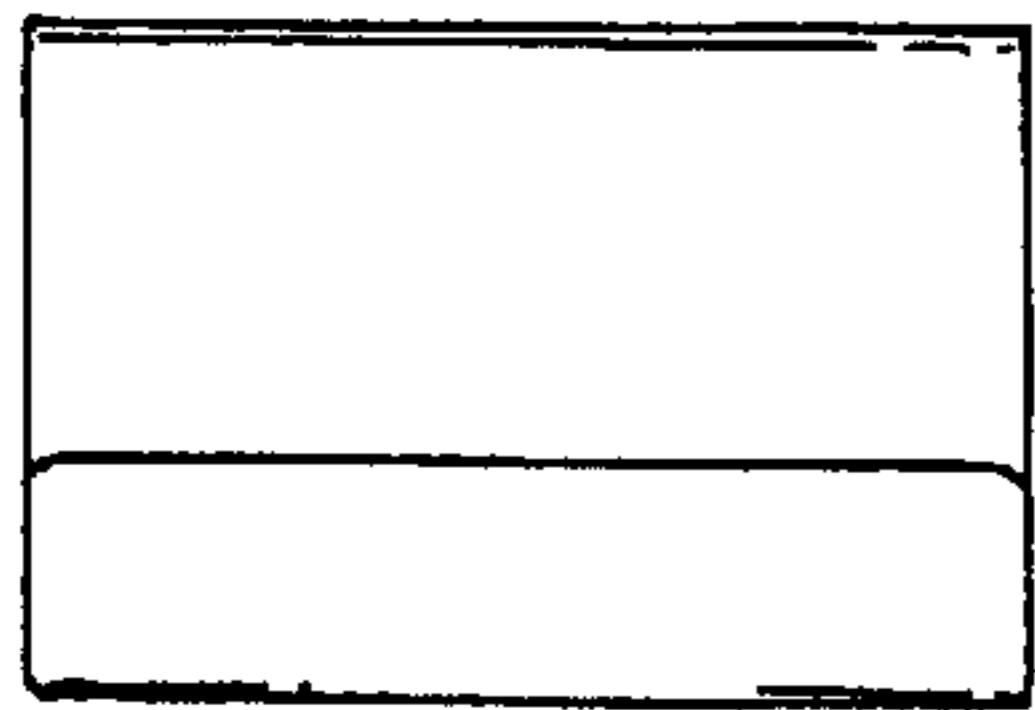


Fig. 6

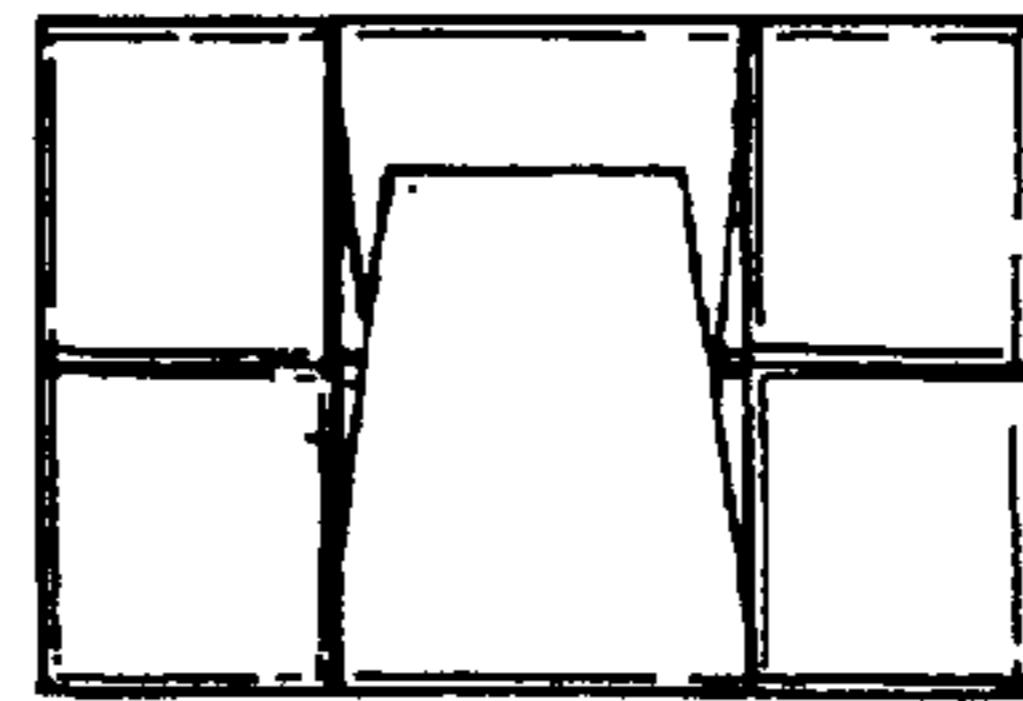


Fig. 7