



US00D433941S

United States Patent [19]

Kelsey

[11] Patent Number: Des. 433,941

[45] Date of Patent: ** Nov. 21, 2000

[54] CONTAINER

[75] Inventor: Steven Frederick Kelsey, London, United Kingdom

[73] Assignee: The Procter & Gamble Company, Cincinnati, Ohio

[**] Term: 14 Years

[21] Appl. No.: 29/086,215

[22] Filed: Apr. 8, 1998

[51] LOC (7) Cl. 09-03

[52] U.S. Cl. D9/432

[58] Field of Search D9/337, 341, 345-347, D9/414, 432, 433, 456-457, 499; 229/89-90, 93, 116.1, 125.04, 198.2

[56] **References Cited**

U.S. PATENT DOCUMENTS

D. 244,355	5/1977	Mazie et al.	D9/432
D. 290,813	7/1987	Forbes, Jr.	D9/433
1,697,664	1/1929	Schweich	229/108
2,287,893	6/1942	Lundberg	229/242
2,542,180	2/1951	Chemlinski	229/242
2,801,000	7/1957	Busch	229/242
3,265,282	8/1966	Maxwell	229/125.08

3,268,146	8/1966	Caselman	229/125.04
3,823,865	7/1974	Mechnick	229/108
3,899,125	8/1975	Andrews et al.	229/125.08
4,771,936	9/1988	Dolby	229/125.08
5,083,701	1/1992	Passamoni	229/125.08
5,535,940	7/1996	Olds	229/906
5,560,539	10/1996	Baxter	229/906
5,806,755	9/1998	Correll	229/906

Primary Examiner—Ted Shooman
Assistant Examiner—Carol Rademaker
Attorney, Agent, or Firm—James C. Vago

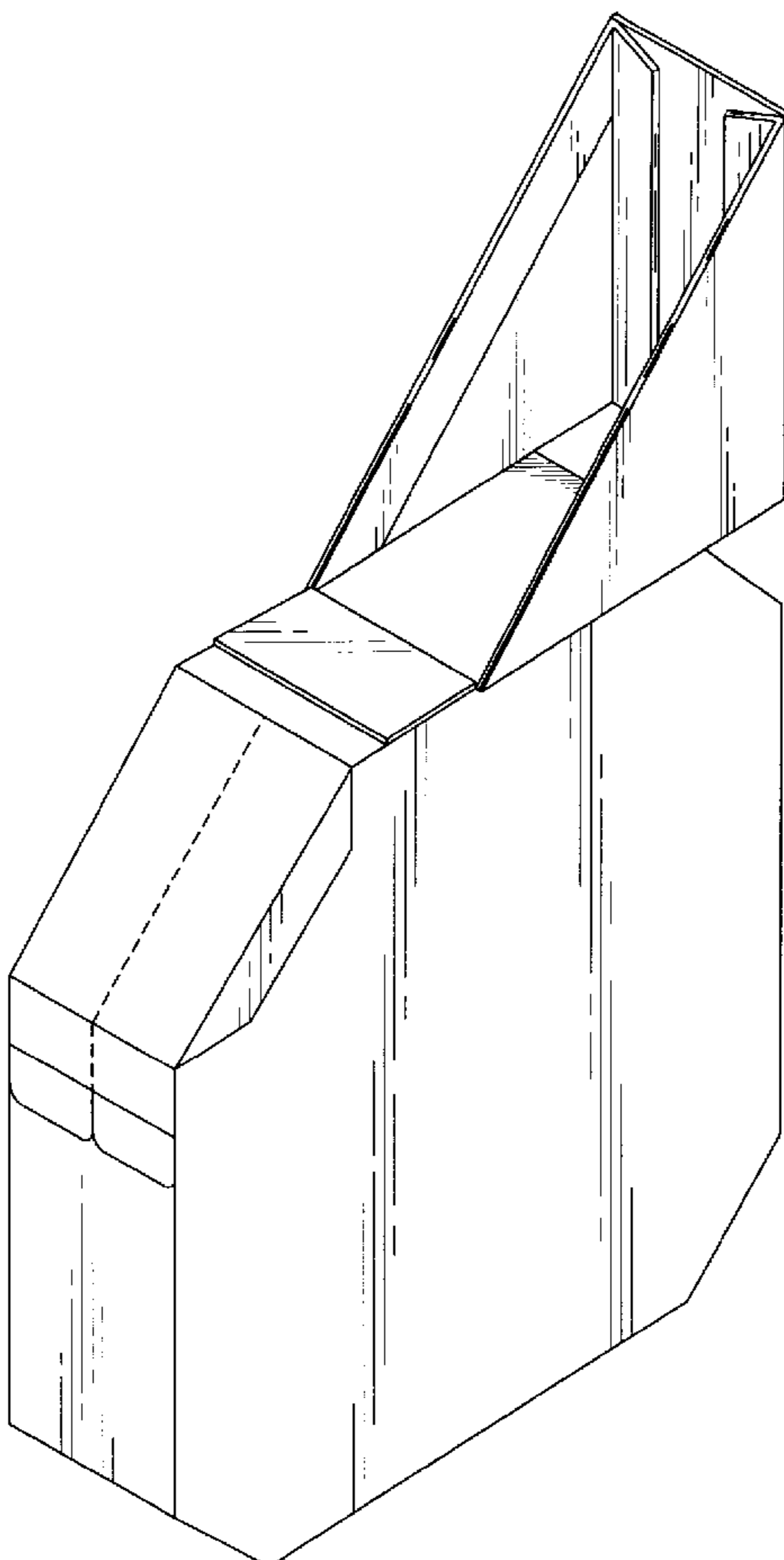
[57] **CLAIM**

The ornamental design for a container, as shown and described.

DESCRIPTION

FIG. 1 shows a front elevational view; FIG. 2 shows a back elevational view; FIG. 3 shows a side elevational view with the opposite side being the same thereof; FIG. 4 shows a bottom plan view; FIG. 5 shows a top plan view; and, FIG. 6 shows a perspective view. The dashed line shown in FIGS. 1, 5, and 6 represents a tear line.

1 Claim, 4 Drawing Sheets



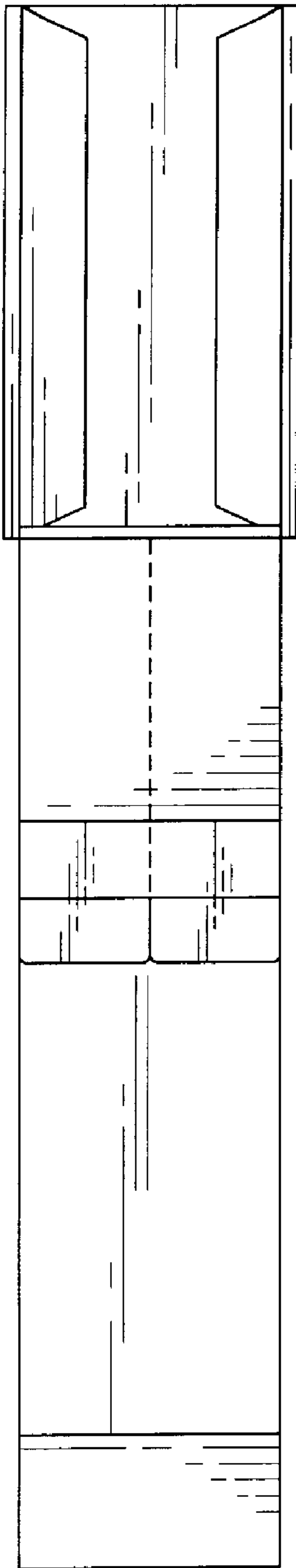


FIG. 1

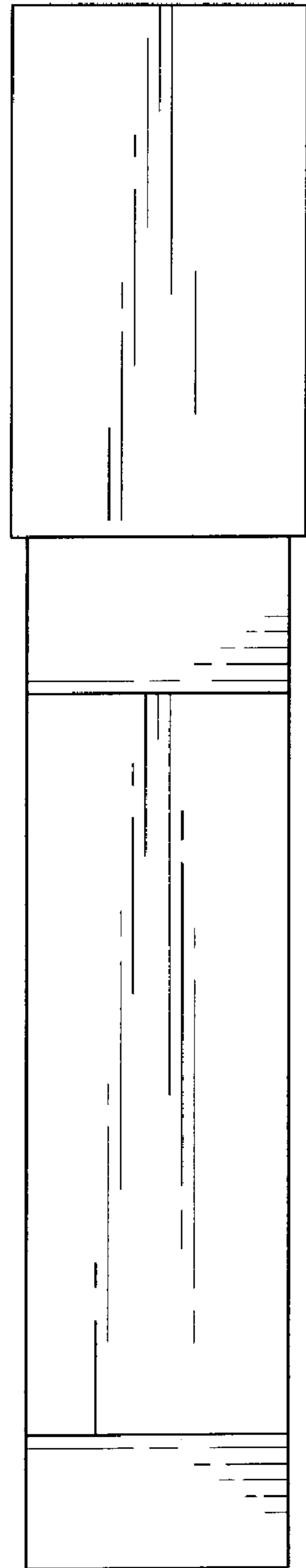


FIG. 2

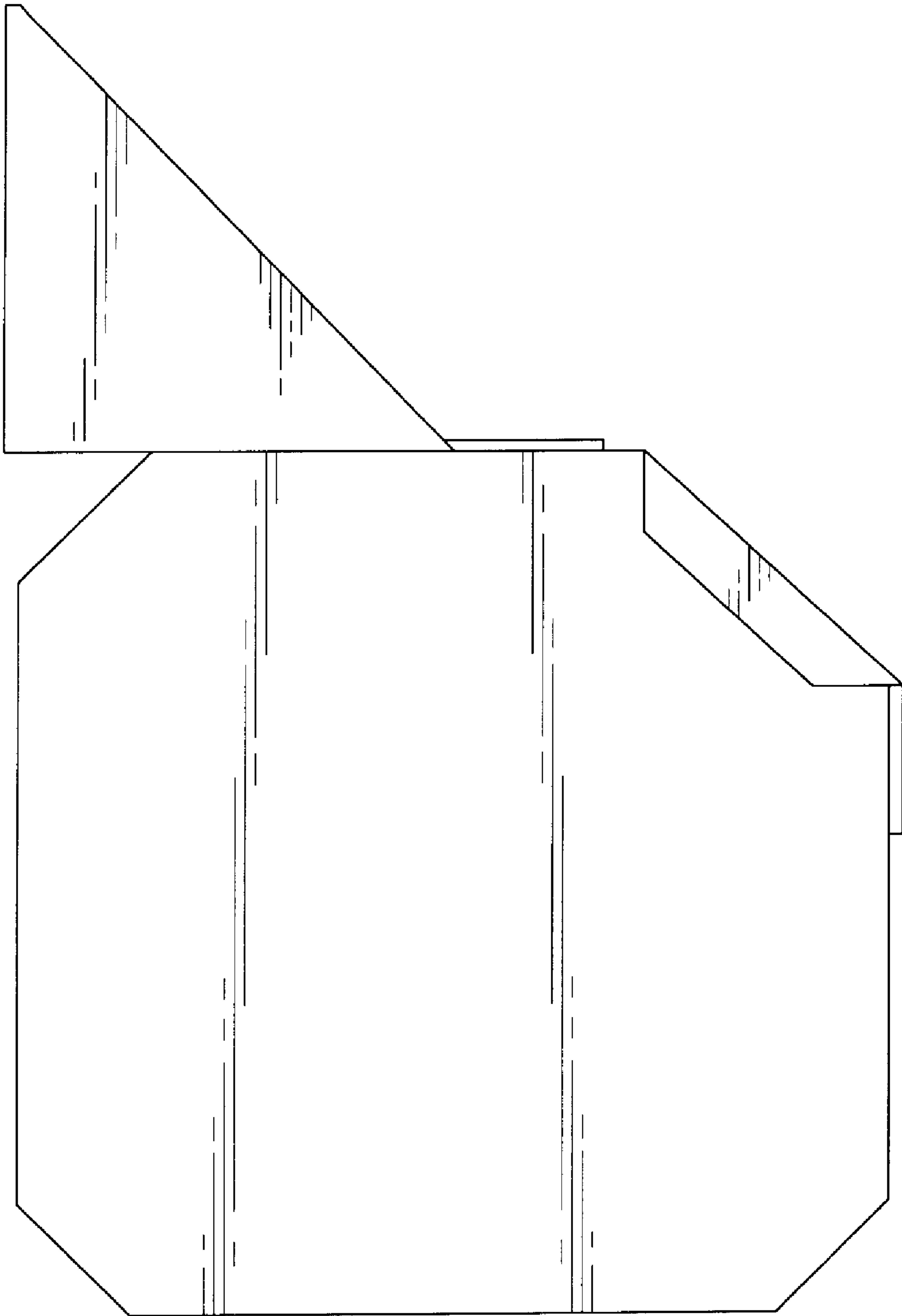


FIG. 3

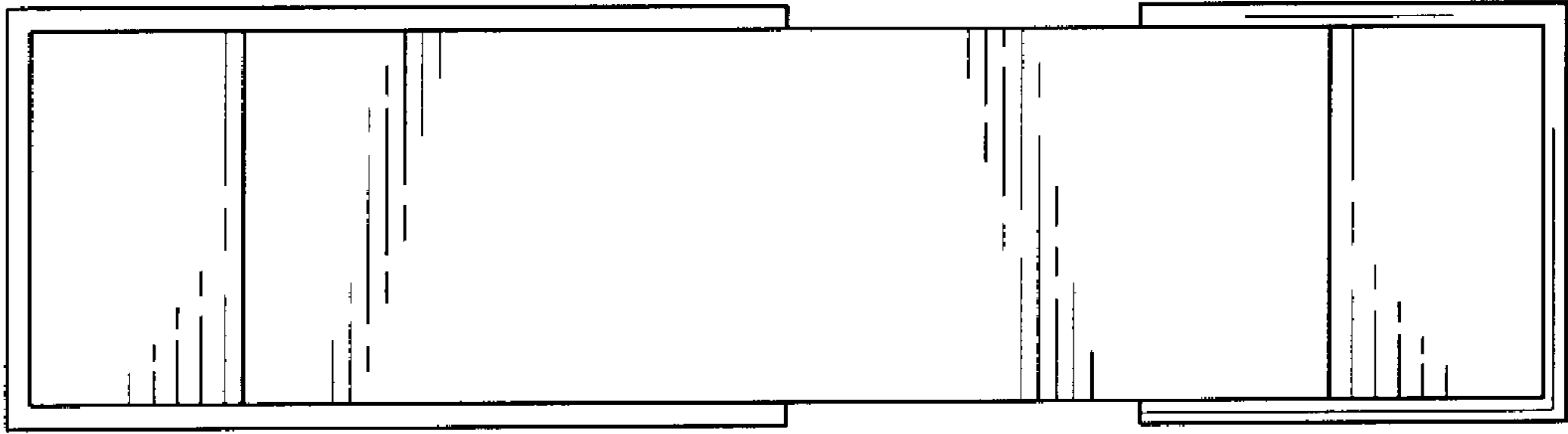


FIG. 4

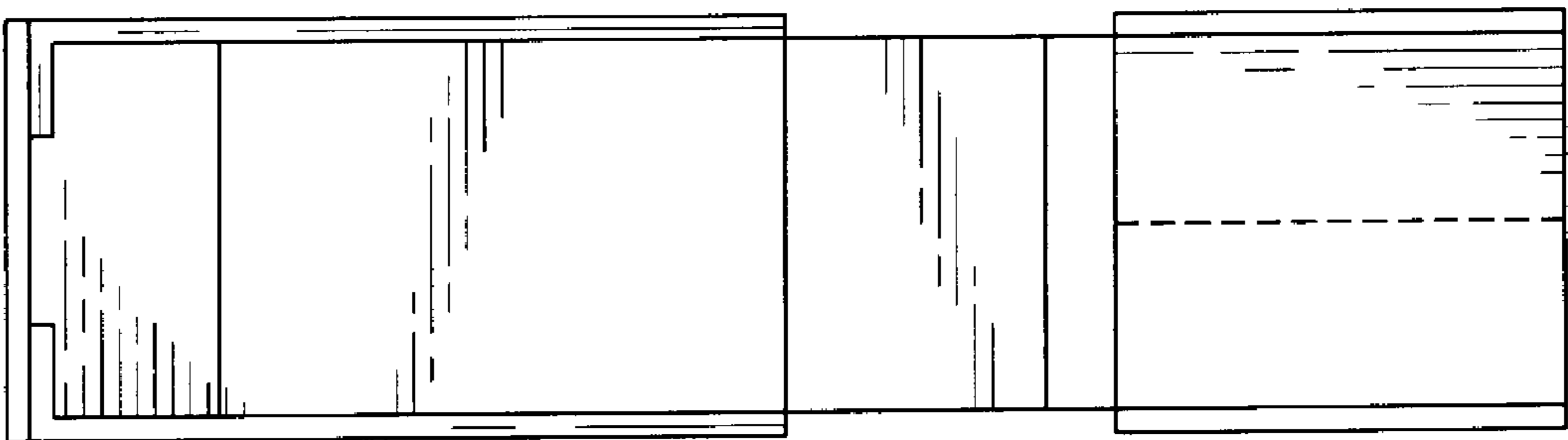


FIG. 5

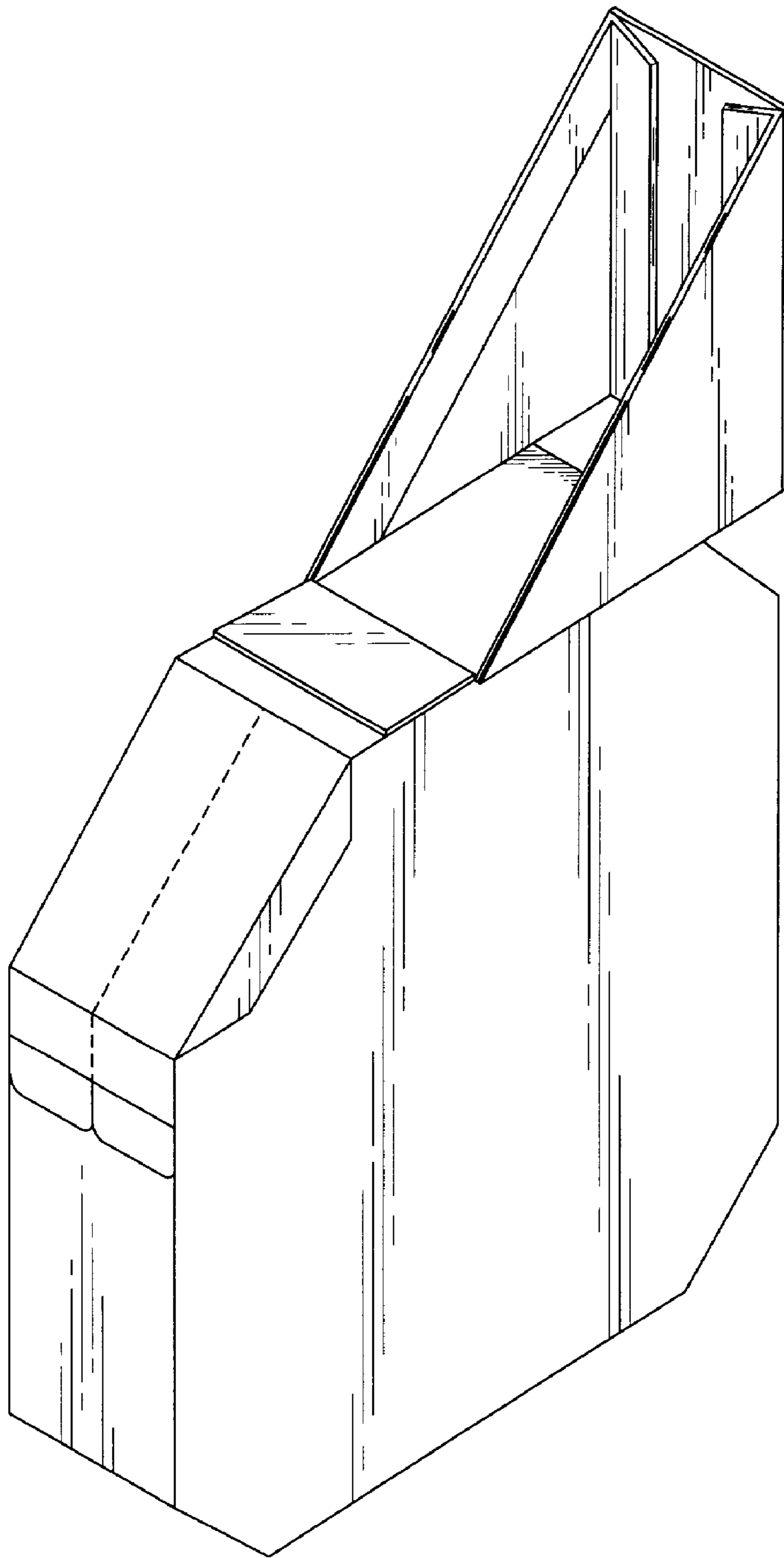


FIG.6