



US00D433931S

United States Patent [19] Poplin

[11] Patent Number: **Des. 433,931**

[45] Date of Patent: **** Nov. 21, 2000**

[54] **DOORSTOP**

3,172,144 3/1965 Jamison 16/86 A
5,575,514 11/1996 Troy D8/402 X

[76] Inventor: **Richard L. Poplin**, 36345 Old
Salisbury Rd., New London, N.C.
28127

Primary Examiner—Susan J. Lucas
Assistant Examiner—Jennifer Rivard

[**] Term: **14 Years**

[57] **CLAIM**

[21] Appl. No.: **29/119,873**

I claim the ornamental design for a doorstop, as shown and described.

[22] Filed: **Mar. 6, 2000**

DESCRIPTION

[51] **LOC (7) Cl.** **08-09**

FIG. 1 is a perspective view of a doorstop, showing my new design;

[52] **U.S. Cl.** **D8/402**

FIG. 2 is a front elevational view thereof;

[58] **Field of Search** D8/402; 292/DIG. 15;
16/85, 86 R, 86 A

FIG. 3 is a rear elevational view thereof;

[56] **References Cited**

FIG. 4 is a right side elevational view thereof, the left side elevational view being a mirror image of this Figure;

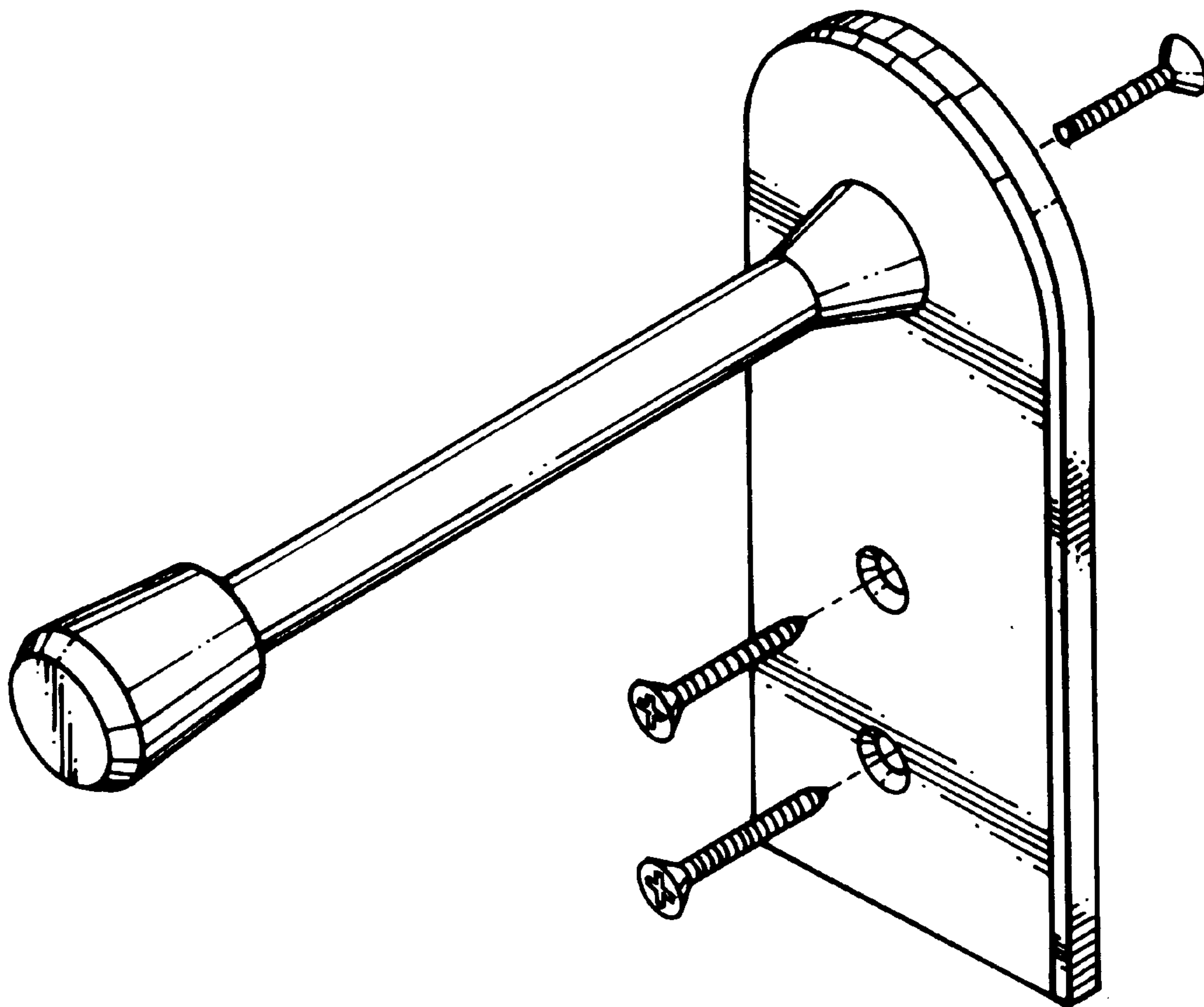
U.S. PATENT DOCUMENTS

FIG. 5 is a top plan view thereof; and,

FIG. 6 is a bottom plan view thereof.

D. 178,366 7/1956 Heyer D8/402
D. 303,626 9/1989 Morrison D8/402
2,700,788 2/1955 Hennelly 16/86 A

1 Claim, 3 Drawing Sheets



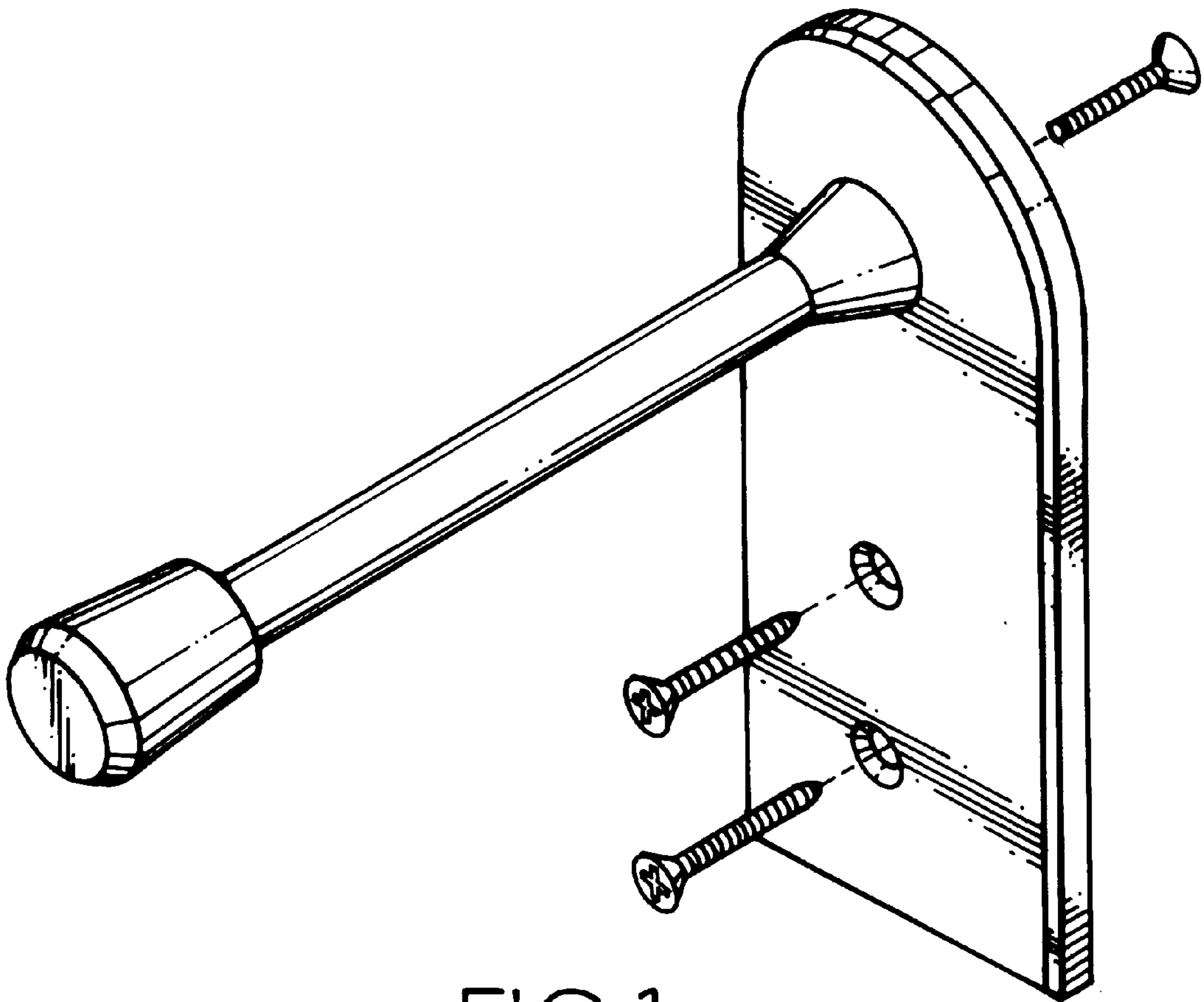


FIG. 1.

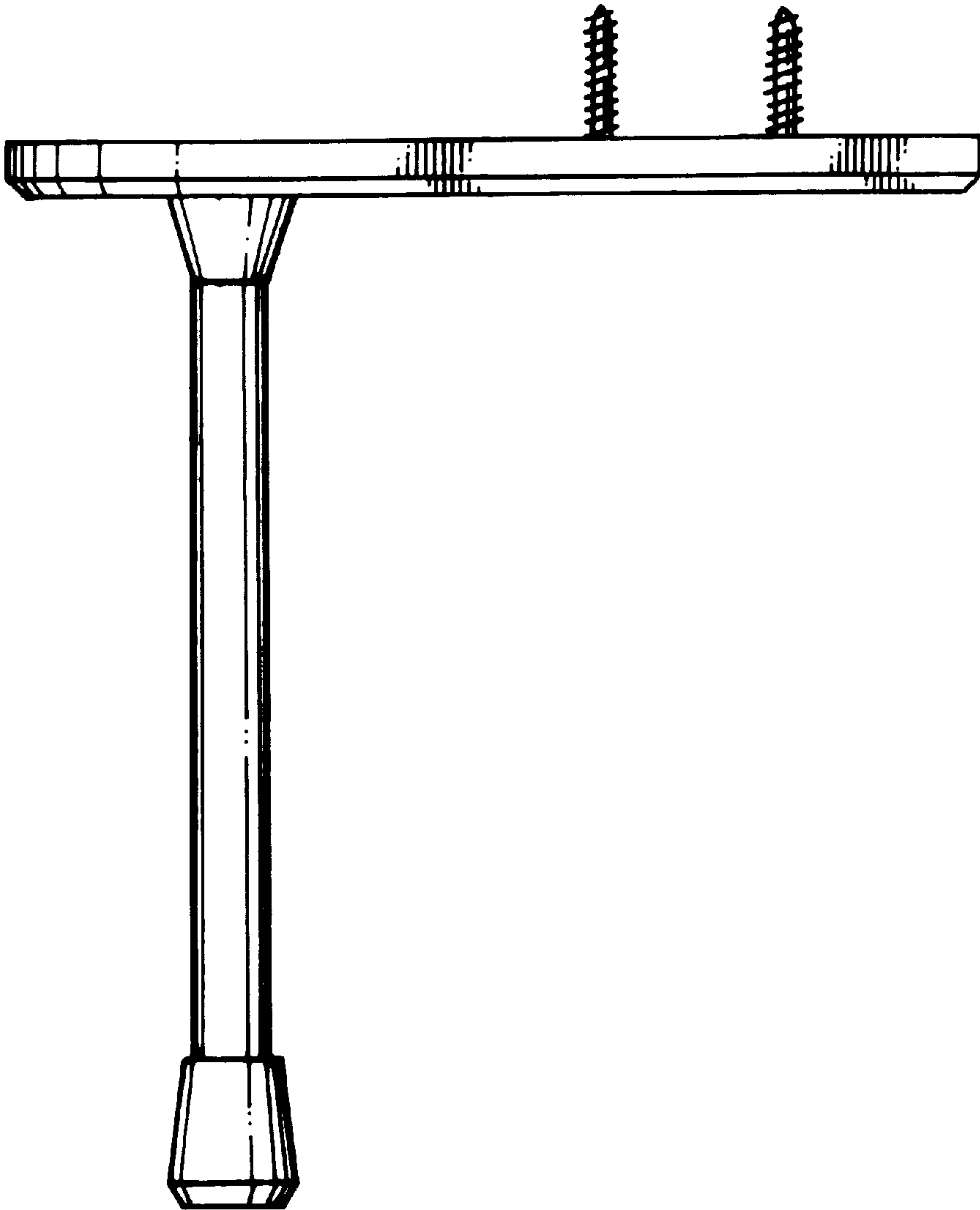


FIG. 4.

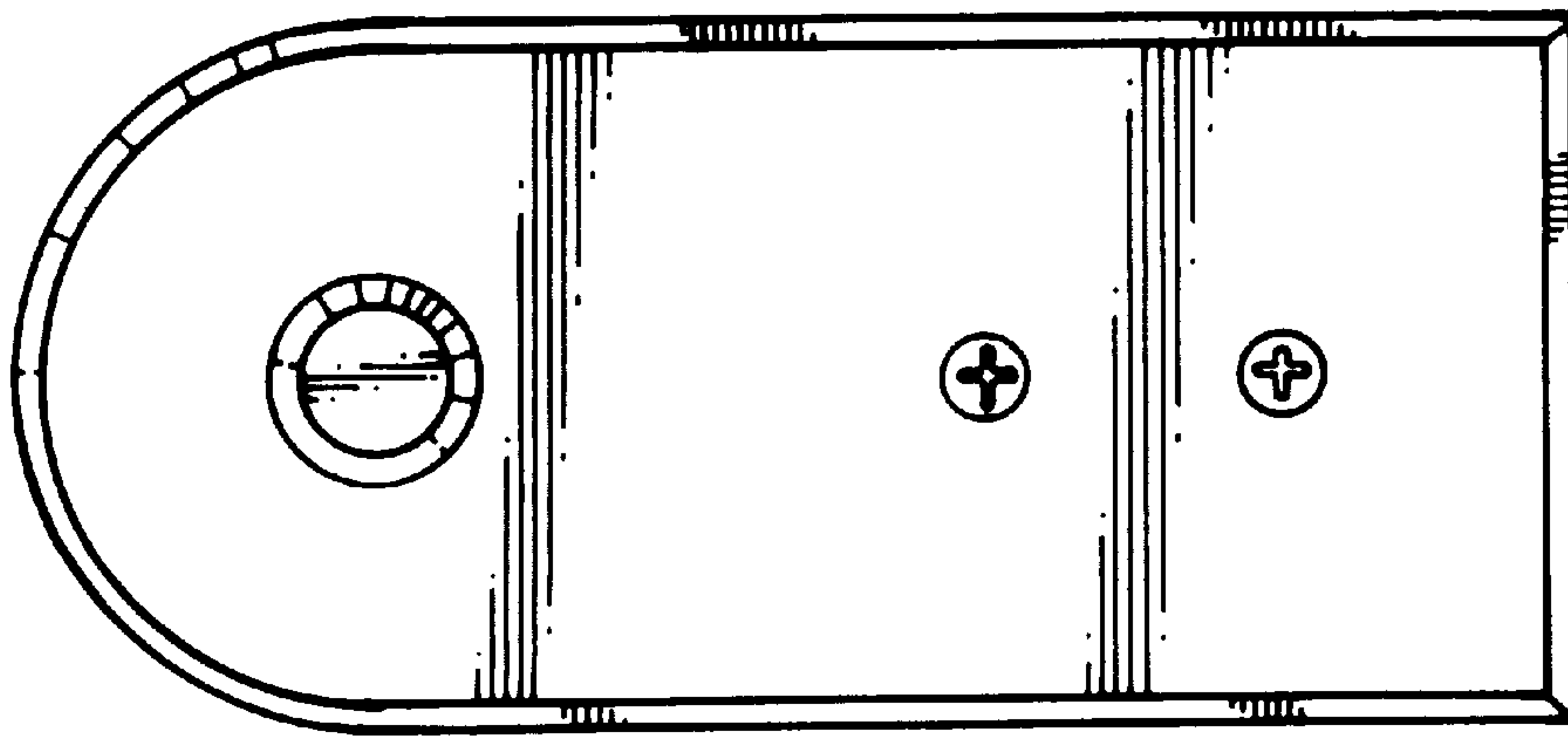


FIG. 2.

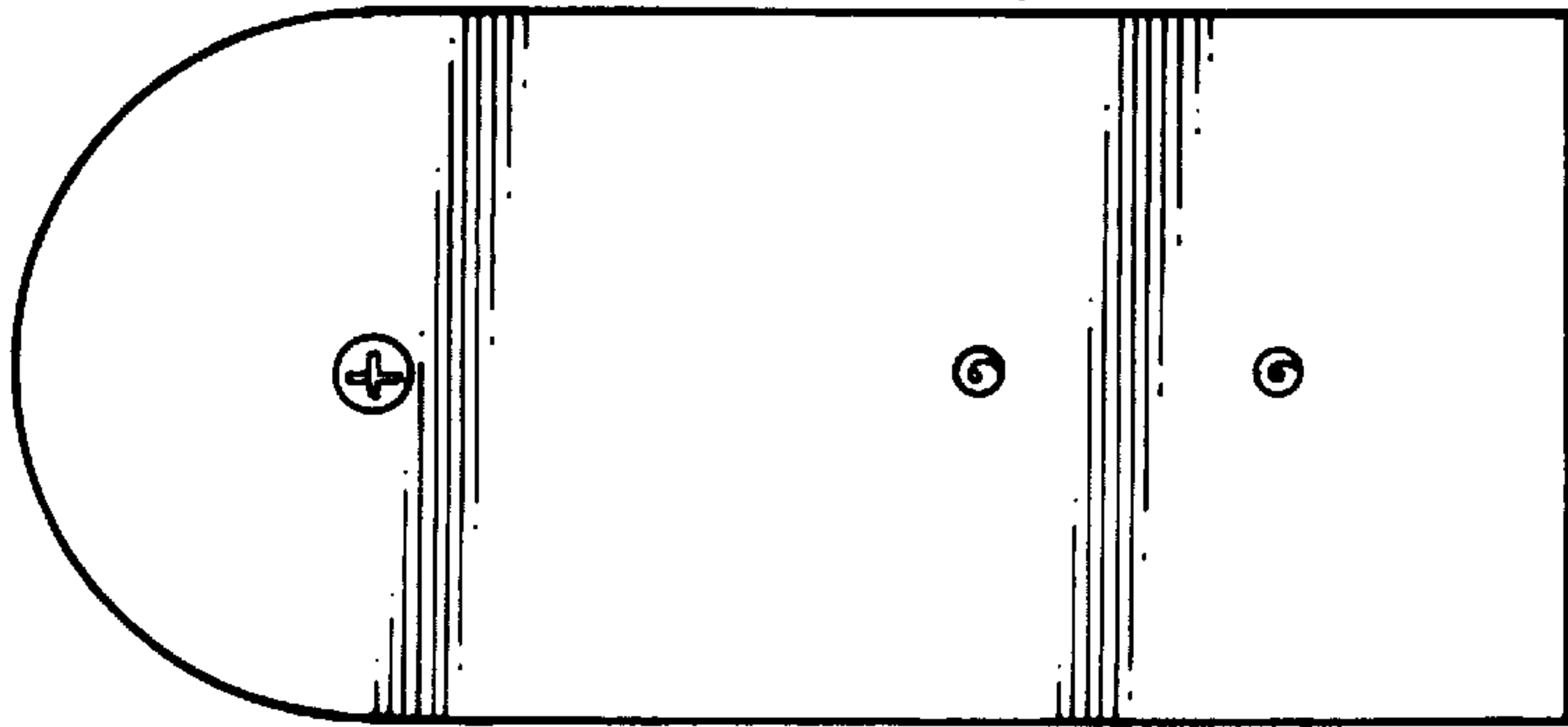


FIG. 3.

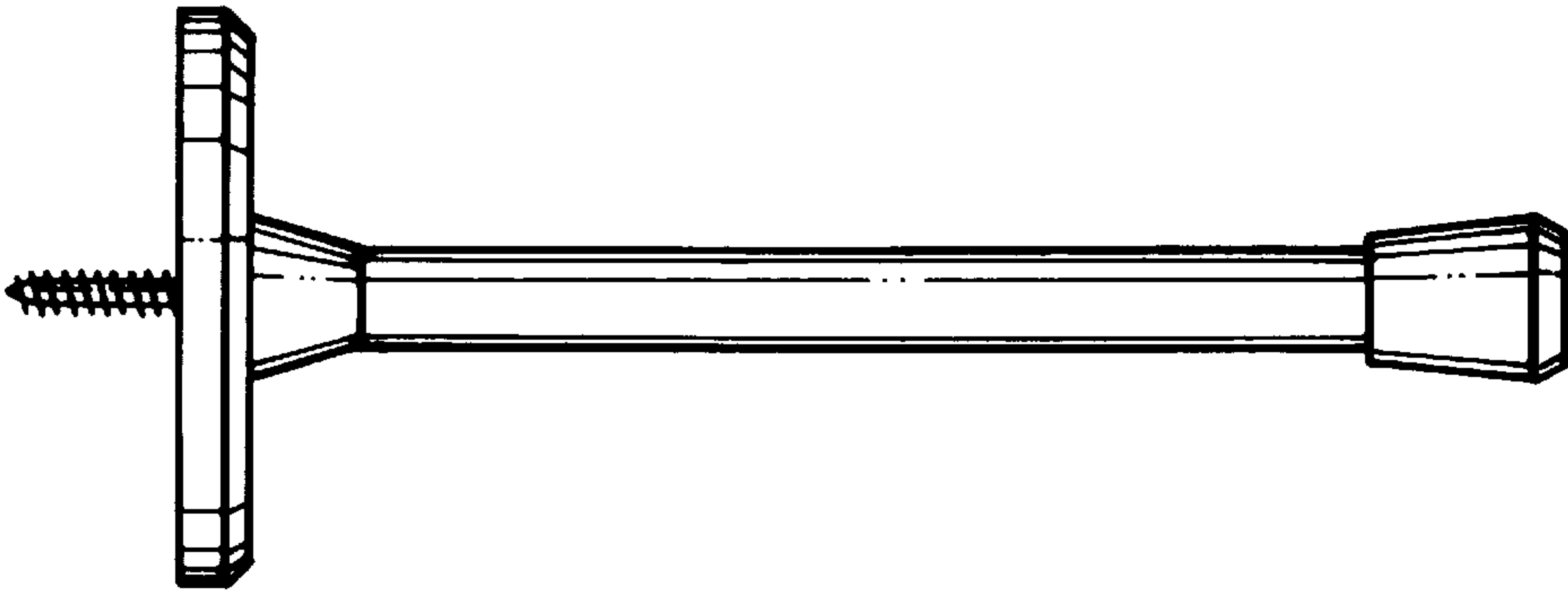


FIG. 5.

FIG. 6.

