



US00D433930S

United States Patent [19]

[11] **Patent Number: Des. 433,930**

Kalat

[45] **Date of Patent: ** Nov. 21, 2000**

[54] **SPRING CLIP**

2,636,704 4/1953 Norberg .

[75] Inventor: **Edward W. Kalat**, Southington, Conn.

3,219,302 11/1965 Smith .

4,809,894 3/1989 Vilo 248/302

[73] Assignee: **Southington Tool & Mfg. Corp.**,
Plantsville, Conn.

Primary Examiner—B. J. Bullock

Attorney, Agent, or Firm—Alix, Yale & Ristas, LLP

[**] Term: **14 Years**

[57] CLAIM

[21] Appl. No.: **29/119,845**

The ornamental design for a spring clip, as shown and described.

[22] Filed: **Mar. 9, 2000**

DESCRIPTION

[51] **LOC (7) Cl.** **08-08**

FIG. 1 is a top plan view of a spring clip showing my new design;

[52] **U.S. Cl.** **D8/395; D8/499**

FIG. 2 is front view of the spring clip of FIG. 1, the opposite rear view being the mirror image thereof;

[58] **Field of Search** D8/394-6, 499,
D8/370, 372; 248/302, 303; D11/209; 24/598.6,
698.3, 530, 533, 546

FIG. 3 is a bottom plan view of the spring clip of FIG. 1;

FIG. 4 is a right side view of the spring clip of FIG. 1;

FIG. 5 is a left side view of the spring clip of FIG. 1; and,

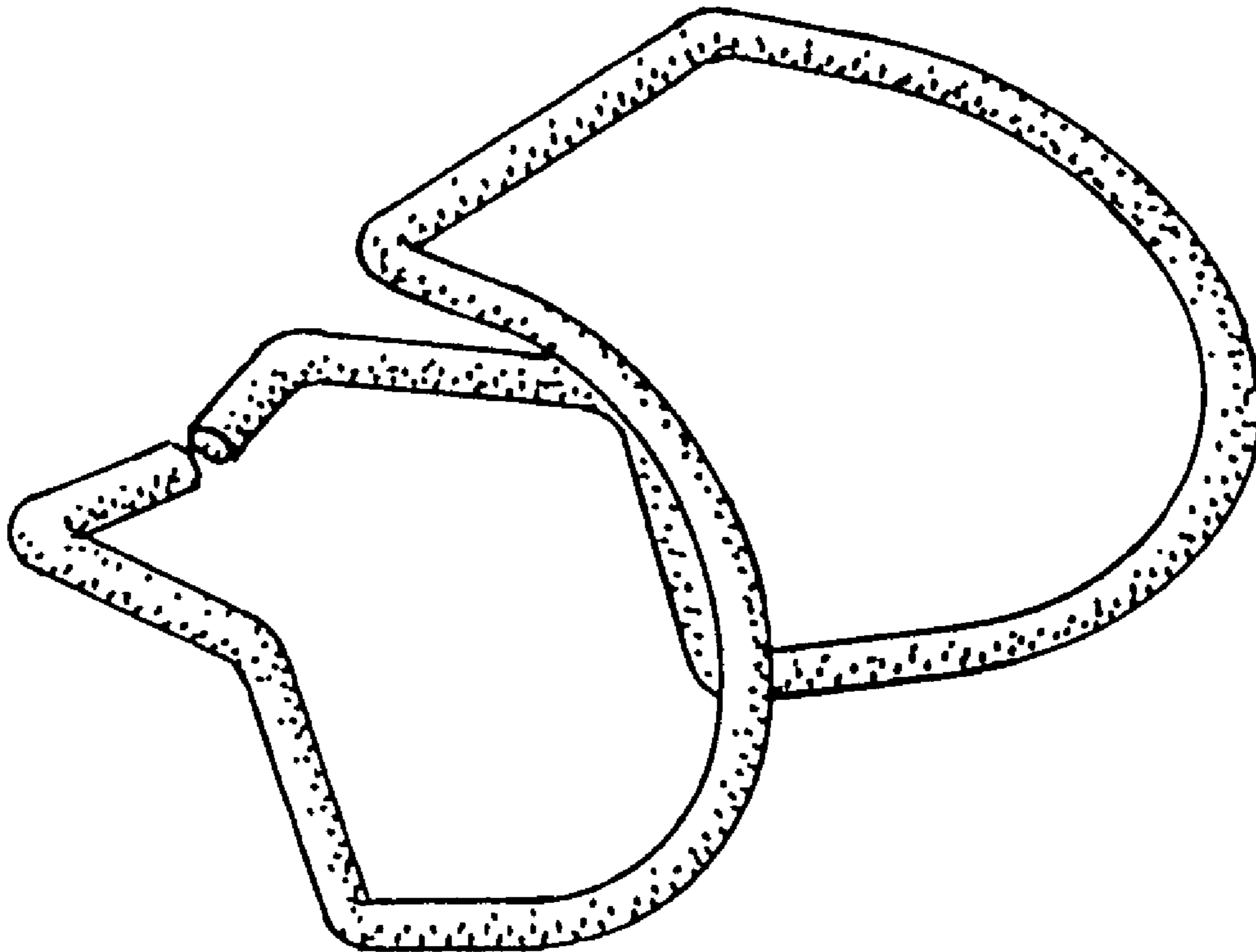
FIG. 6 is a frontal perspective view of the spring clip of FIG. 1.

[56] References Cited

U.S. PATENT DOCUMENTS

- D. 268,925 5/1983 Williams D8/499
- D. 423,916 5/2000 Kalat D8/370
- 1,764,950 6/1930 Griner .

1 Claim, 2 Drawing Sheets



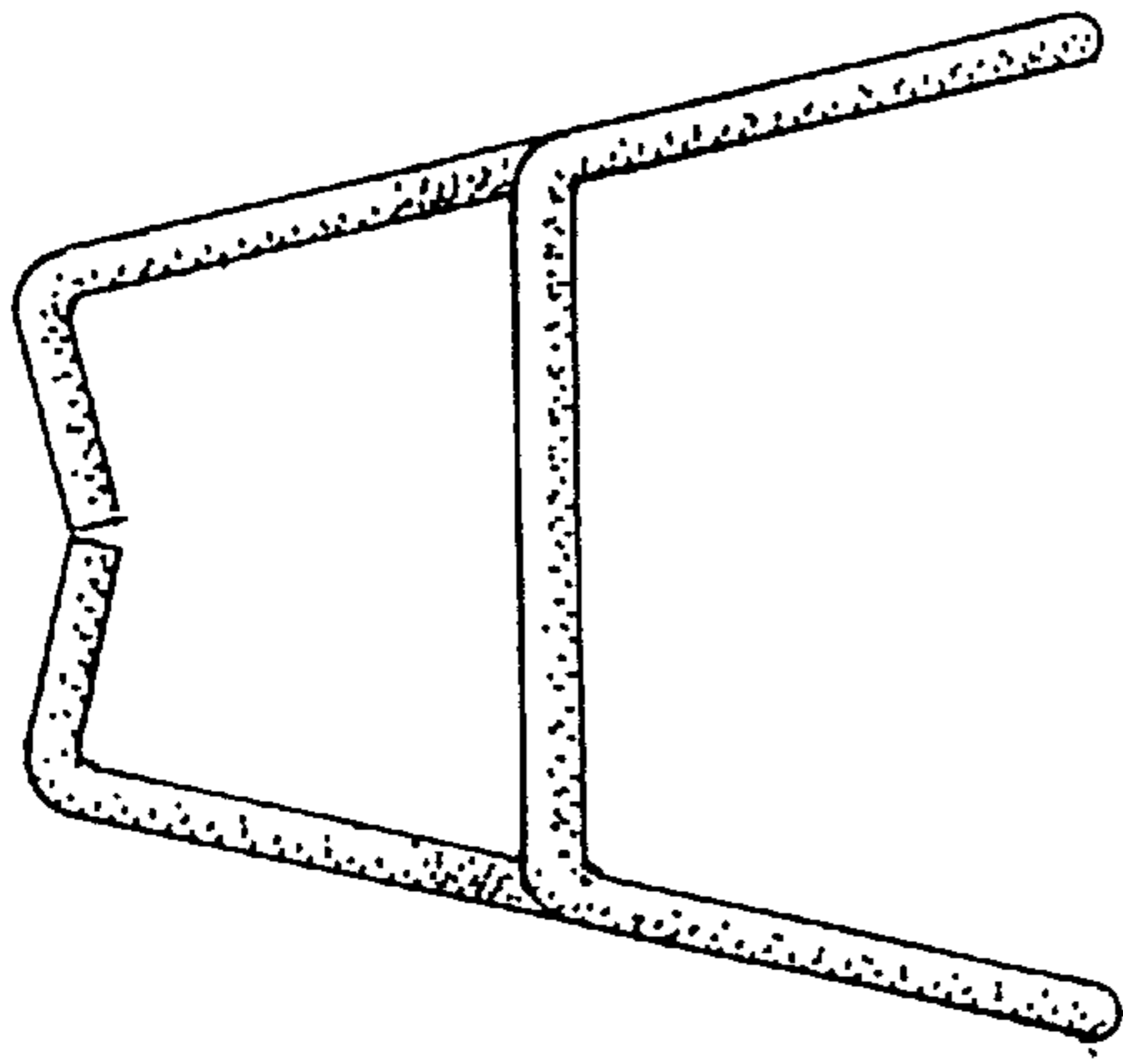


FIG. 1

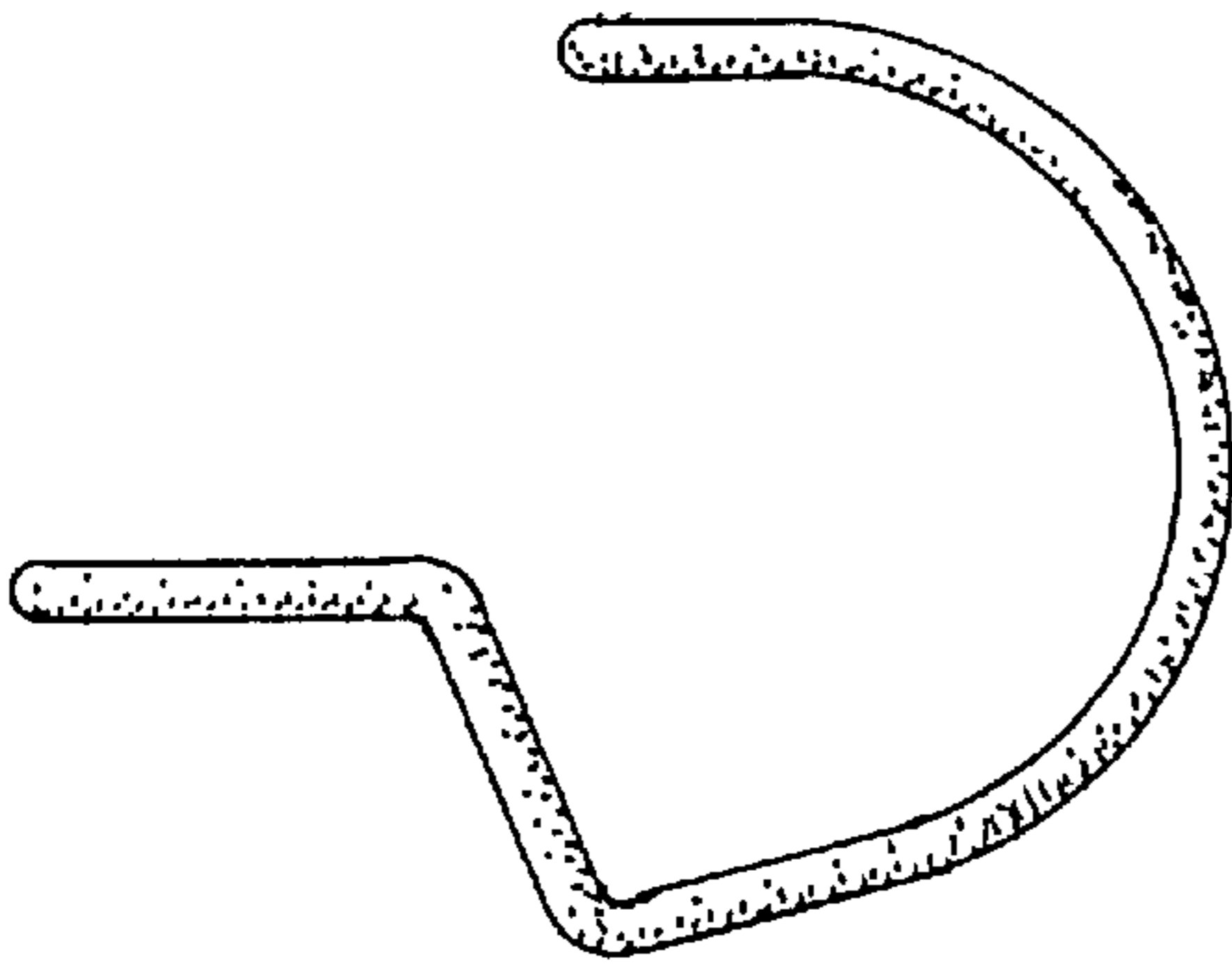


FIG. 2

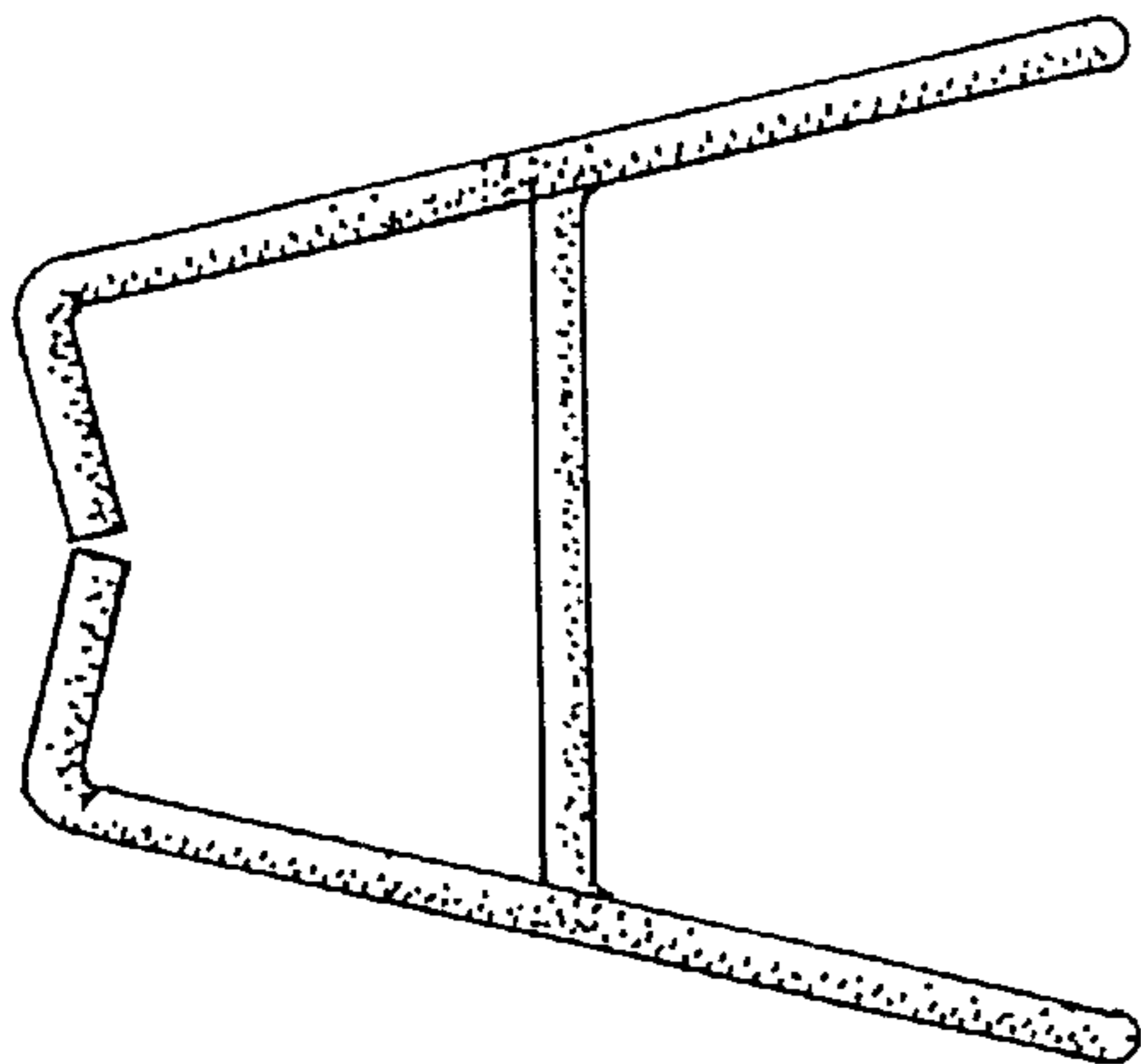


FIG. 3

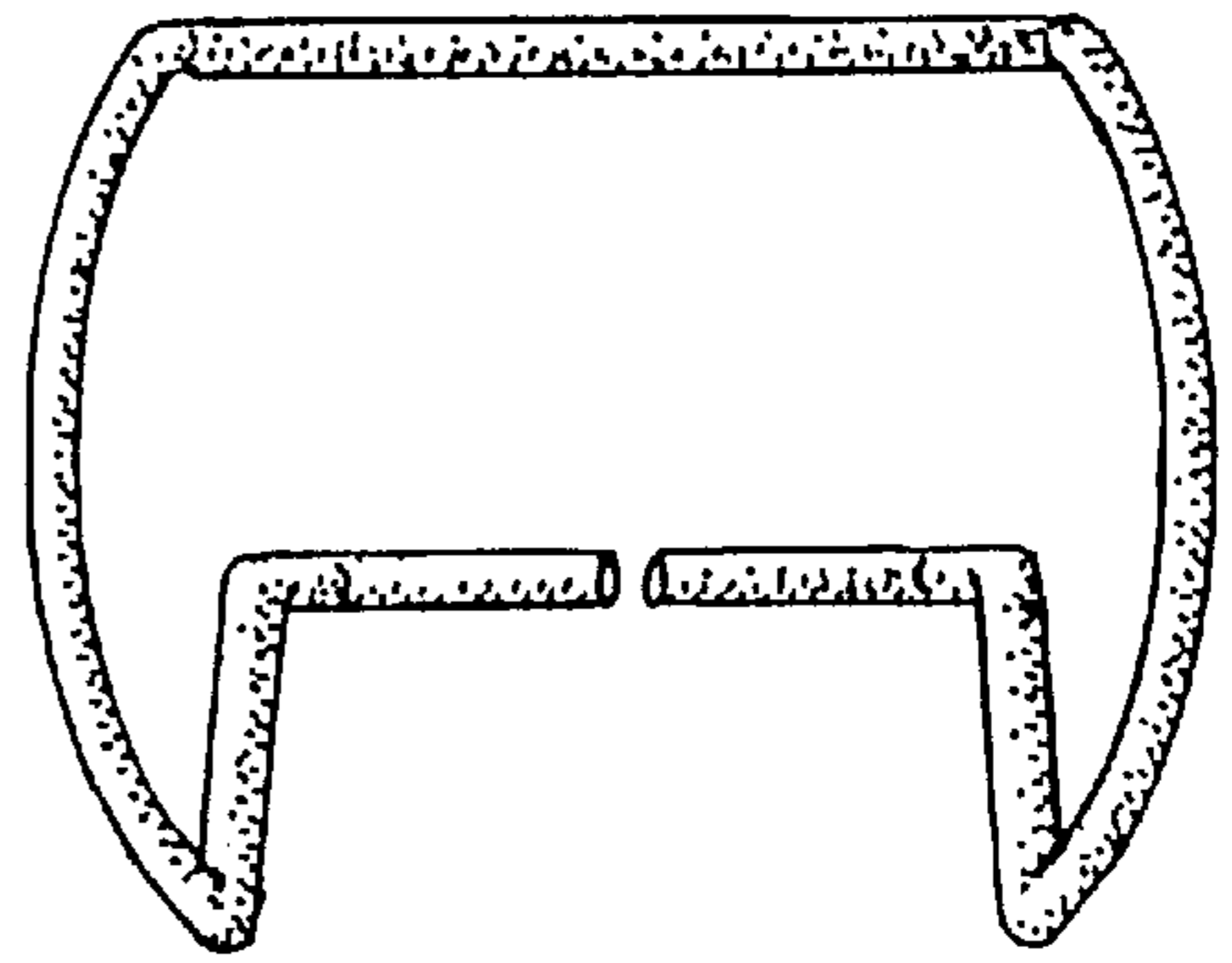


FIG. 4

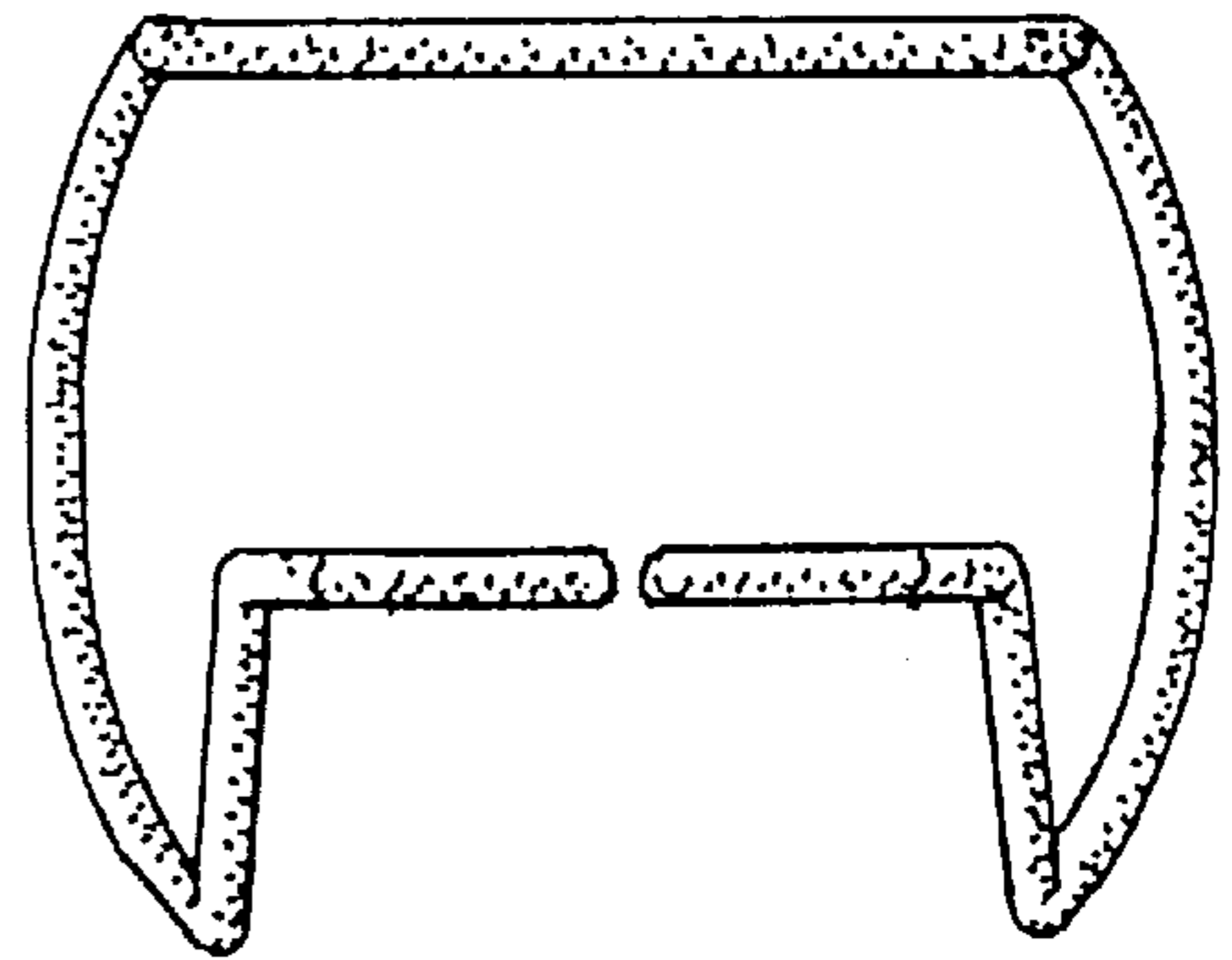


FIG. 5

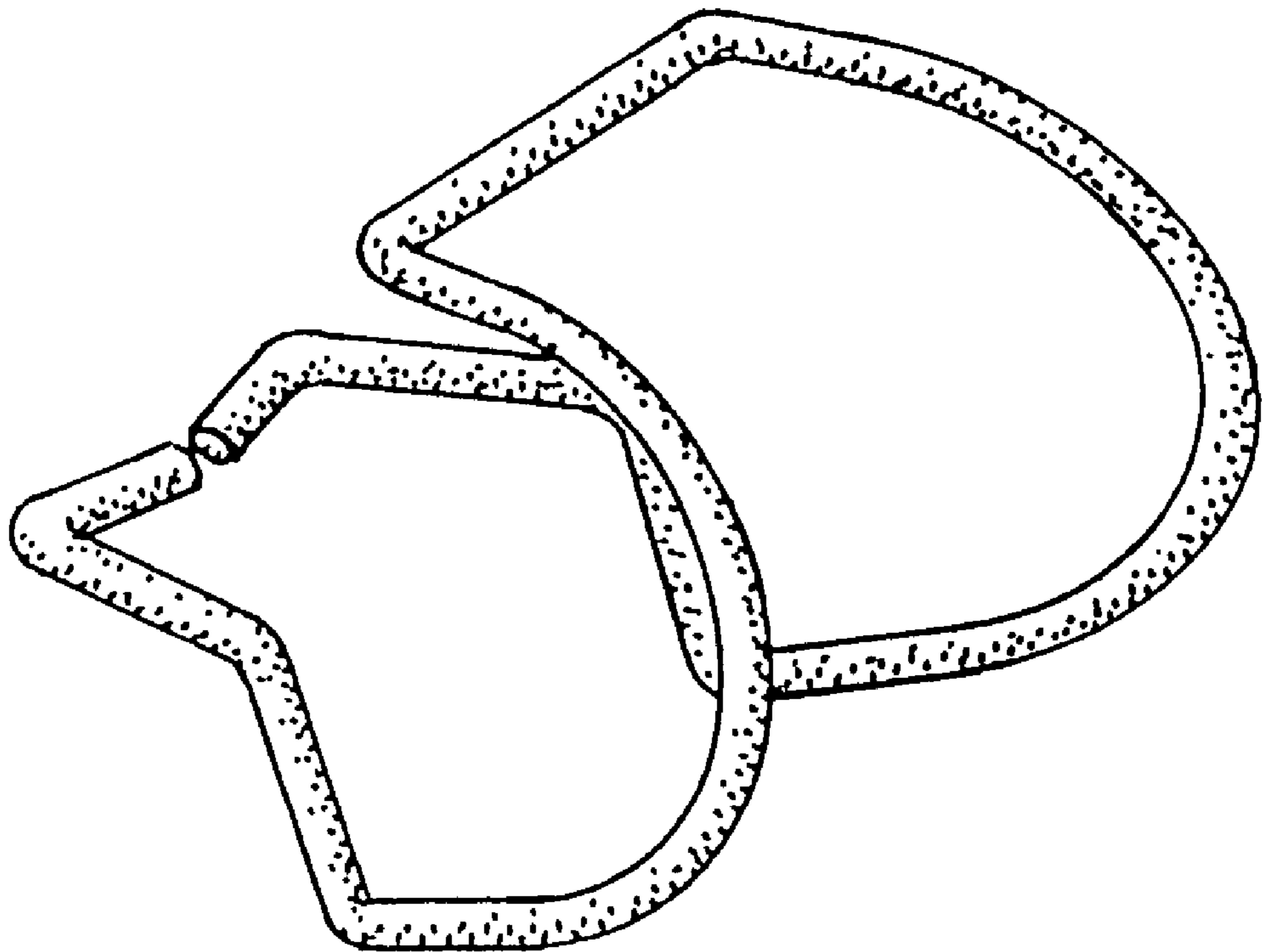


FIG. 6