



US00D433928S

United States Patent [19] Alcone

[11] **Patent Number: Des. 433,928**

[45] **Date of Patent: ** Nov. 21, 2000**

[54] **HEADER BOLT ASSEMBLY**

[76] Inventor: **Jerry M. Alcone**, 1423 Los Tomases Dr., NW., Albuquerque, N. Mex. 87102

[**] Term: **14 Years**

[21] Appl. No.: **29/114,472**

[22] Filed: **Nov. 23, 1999**

[51] **LOC (7) Cl.** **08-08**

[52] **U.S. Cl.** **D8/382**

[58] **Field of Search** D8/382, 397, 399;
411/320, 356, 357, 371, 378, 396, 513,
970, 999, 352; 403/378; 180/182

[56] **References Cited**

U.S. PATENT DOCUMENTS

D. 319,574	9/1991	Gallagher	D8/387
D. 378,052	2/1997	Perreault	D8/387
1,105,606	8/1914	Beach	411/320
1,119,613	12/1914	Juzek	411/320
2,355,901	8/1944	Beede	411/320
2,391,140	12/1945	Dilley	411/513
3,602,284	8/1971	Smith et al.	411/352
3,709,512	1/1973	Albertson	180/182
5,518,333	5/1996	Cienkus, Jr. et al.	403/378

Primary Examiner—Alan P. Douglas

Assistant Examiner—Reid Hecker

Attorney, Agent, or Firm—Bernhard Kreten

[57] **CLAIM**

The ornamental design for a header bolt assembly, as shown and described.

DESCRIPTION

FIG. 1 is a perspective view of a header bolt assembly showing my new design.

FIG. 2 is a top view thereof.

FIG. 3 is a side view thereof.

FIG. 4 is a opposite side view thereof.

FIG. 5 is a perspective view in one possible environment.

FIG. 6 is a top view of the bolt shown separately for clarity of illustration.

FIG. 7 is a side view thereof.

FIG. 8 is a side view thereof.

FIG. 9 is a side view thereof.

FIG. 10 is a side view thereof.

FIG. 11 is a bottom view thereof.

FIG. 12 is a top view of the washer shown separately for clarity of illustration.

FIG. 13 is a side view thereof.

FIG. 14 is a side view thereof.

FIG. 15 is a side view thereof.

FIG. 16 is a side view thereof.

FIG. 17 is a bottom view thereof.

FIG. 18 is a top view of the pin shown separately for clarity of illustration.

FIG. 19 is a end view thereof.

FIG. 20 is a side view thereof.

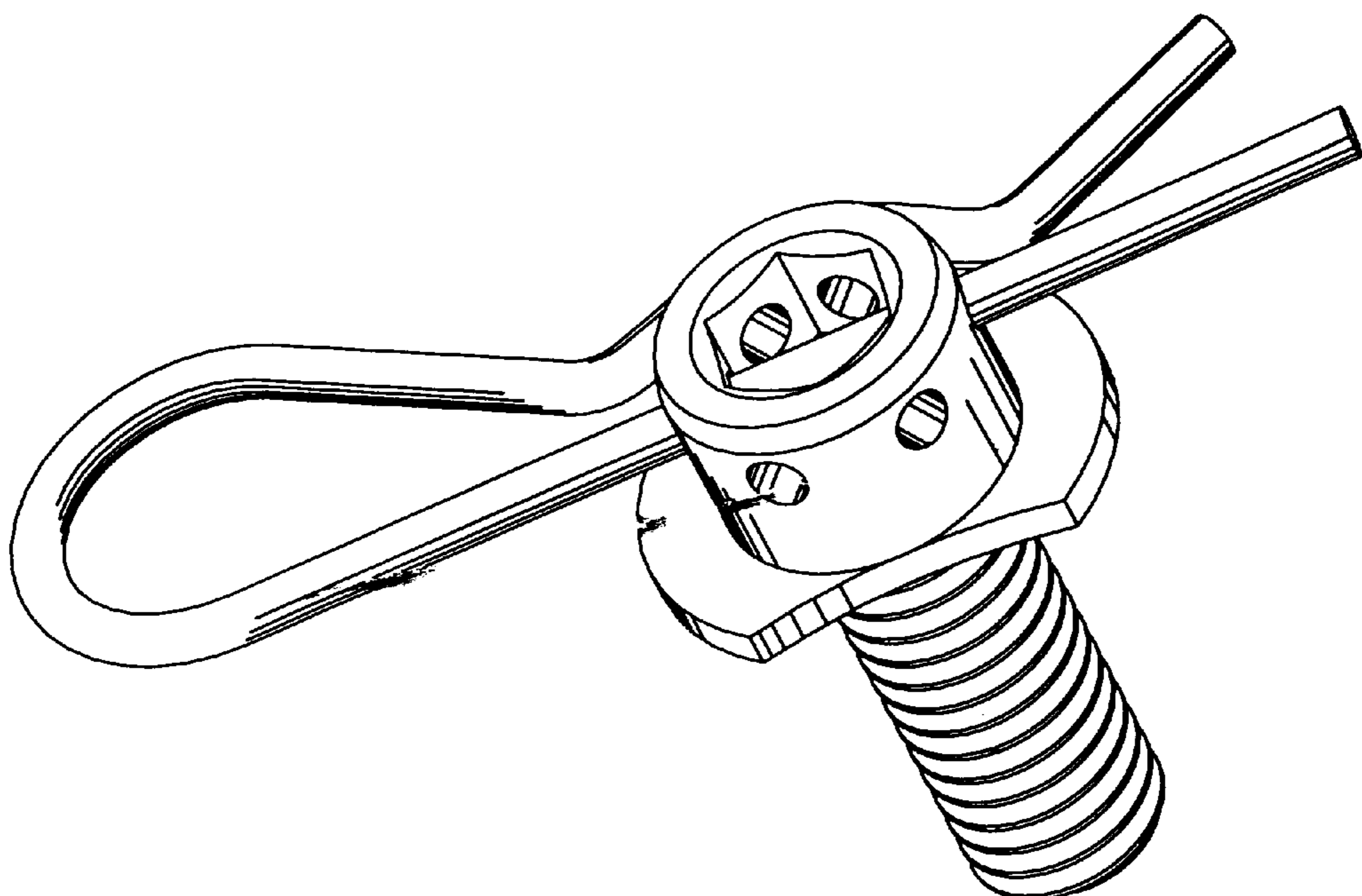
FIG. 21 is a opposite end view thereof.

FIG. 22 is a opposite side view thereof; and,

FIG. 23 is a bottom view thereof.

The broken-line showing of environmental structure in FIG. 5 is for illustrative purposes only and forms no part of the claimed design.

1 Claim, 7 Drawing Sheets



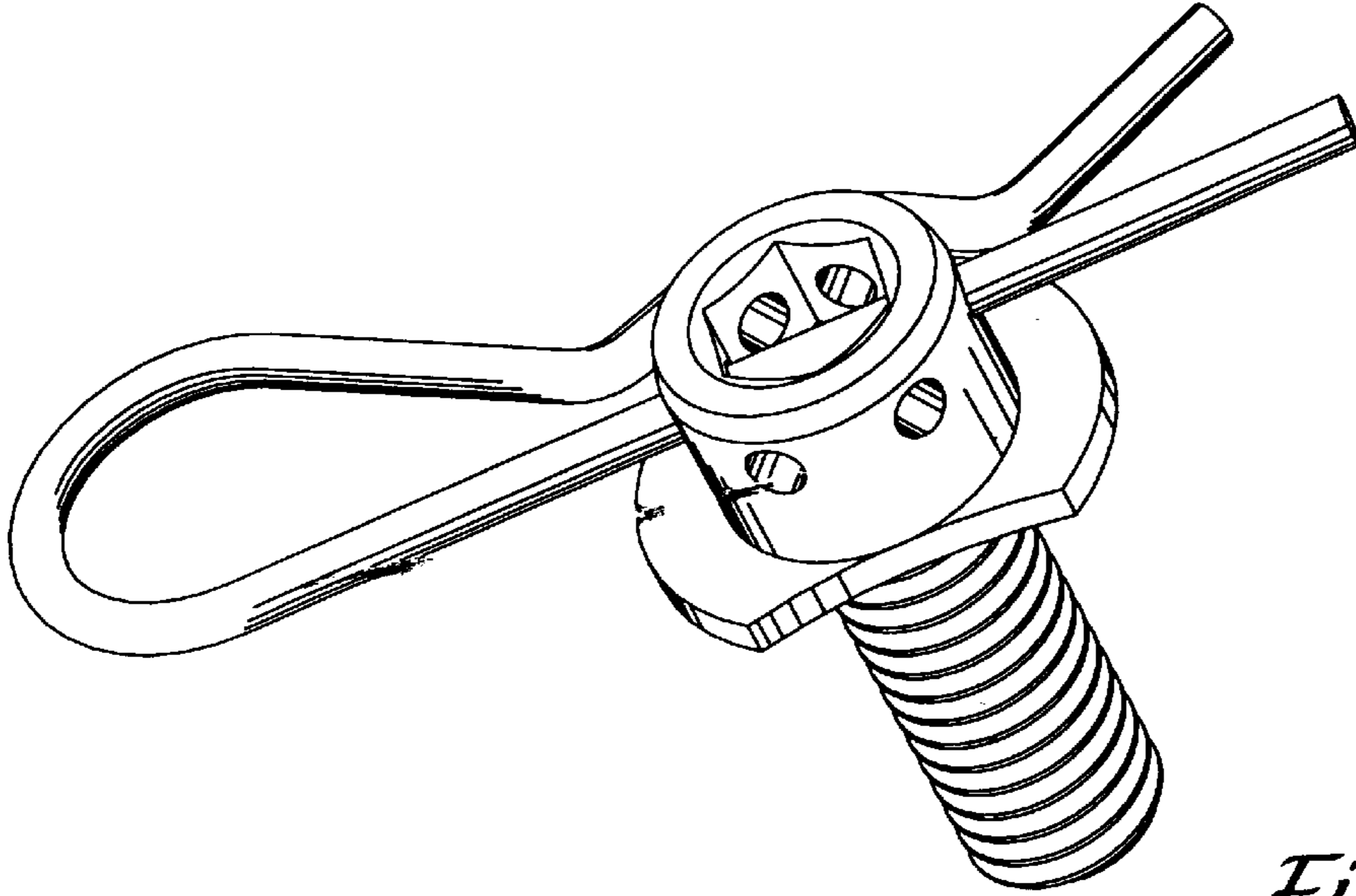


Figure 1

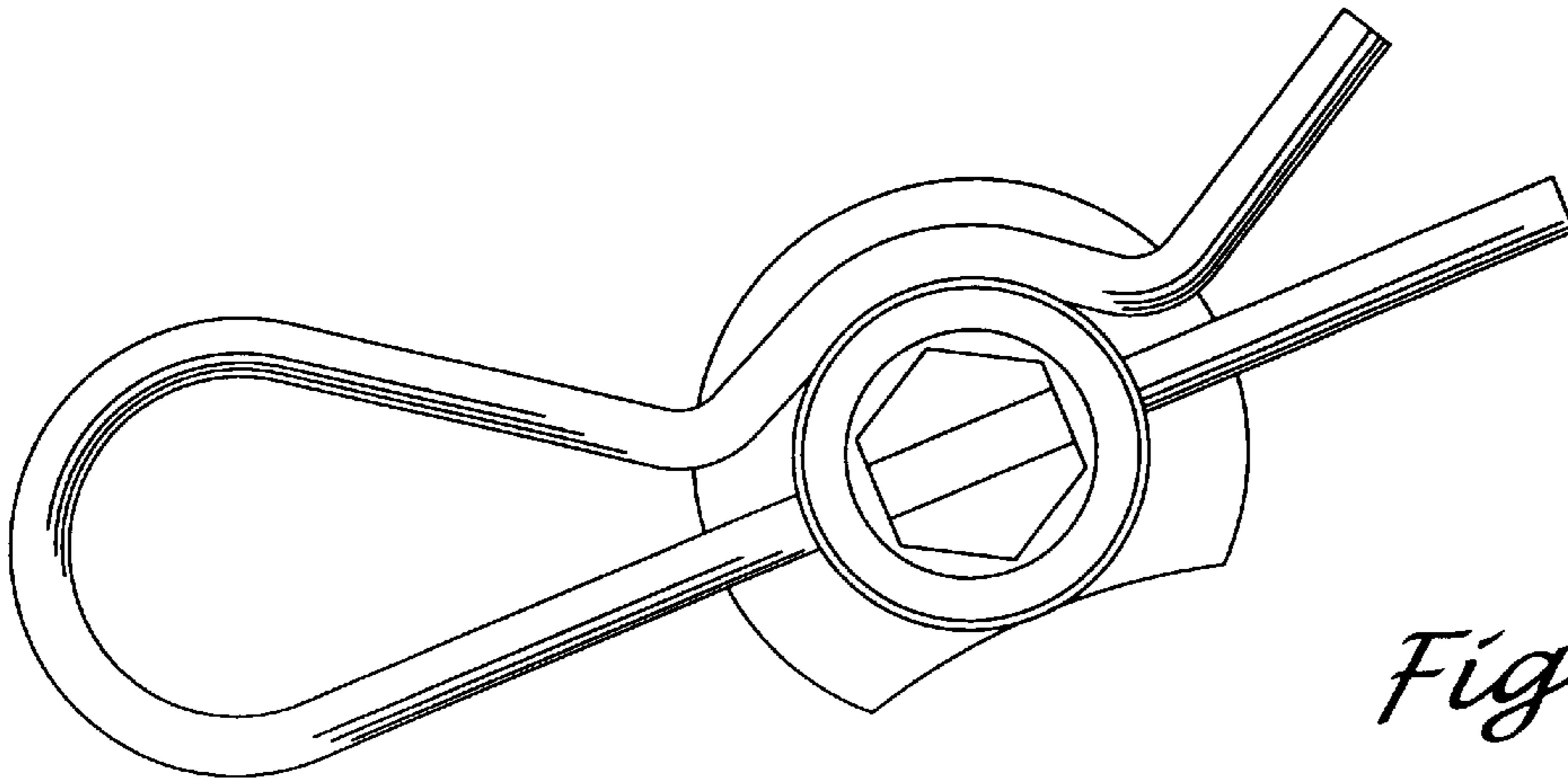


Figure 2

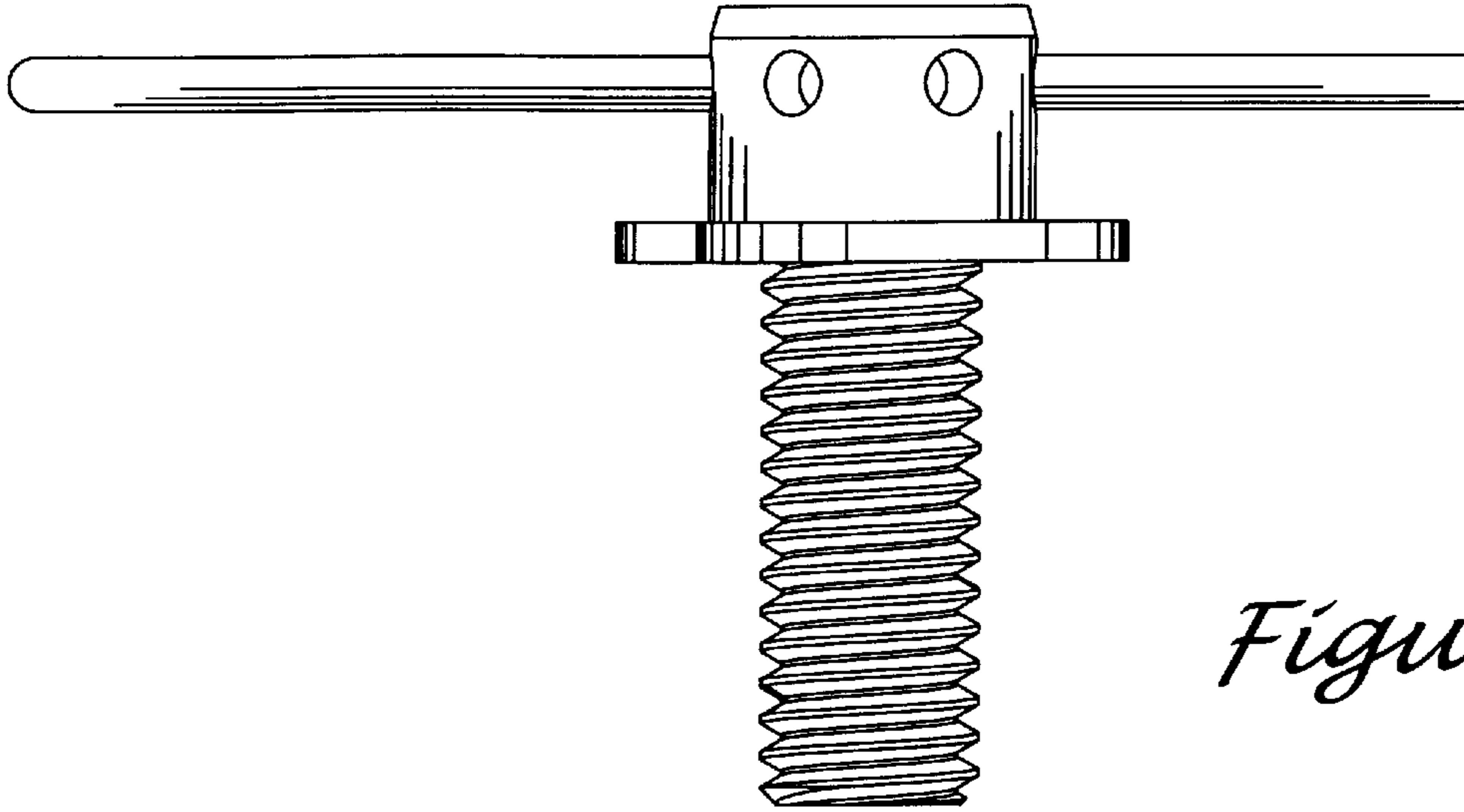


Figure 3

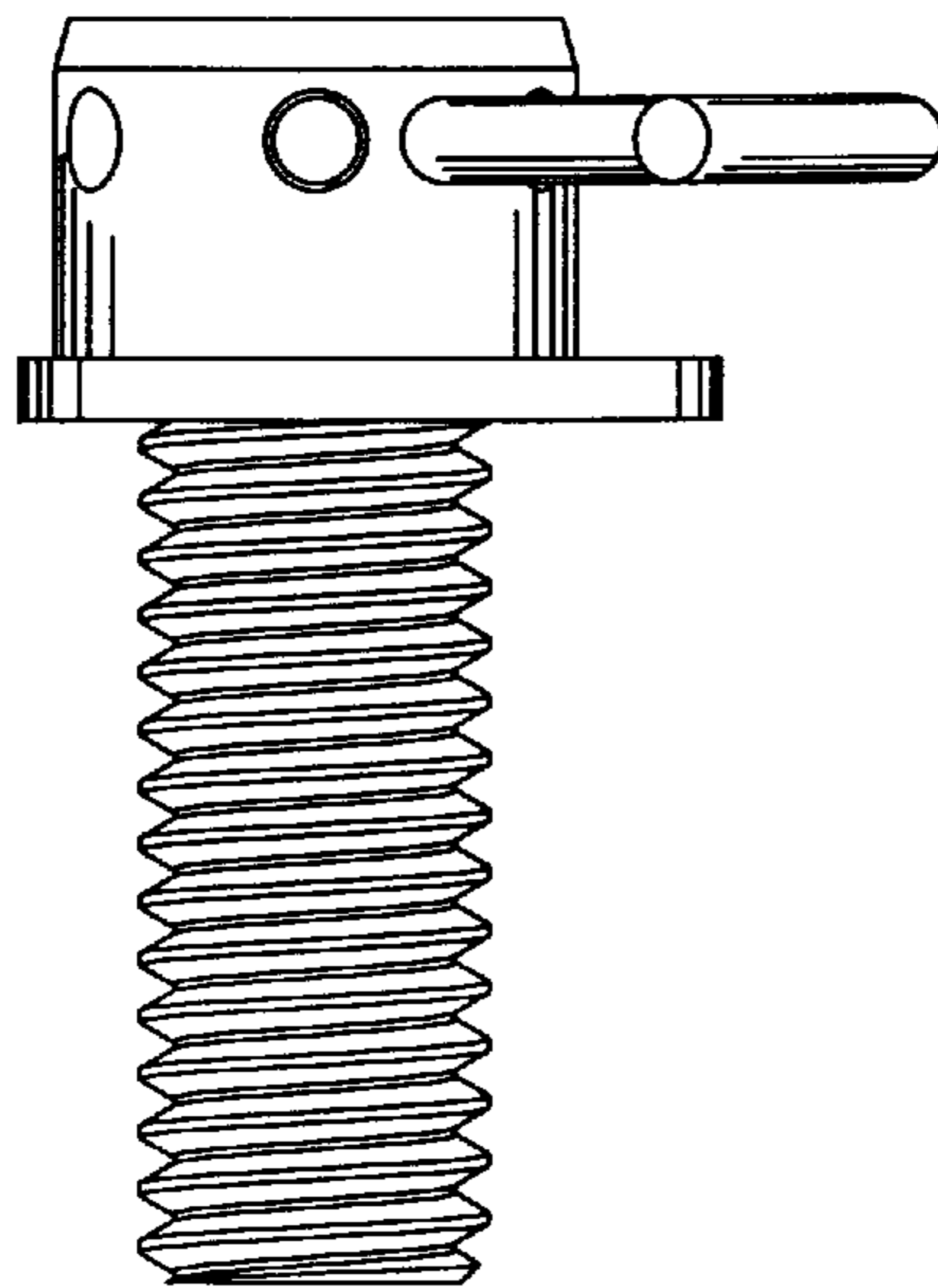


Figure 4

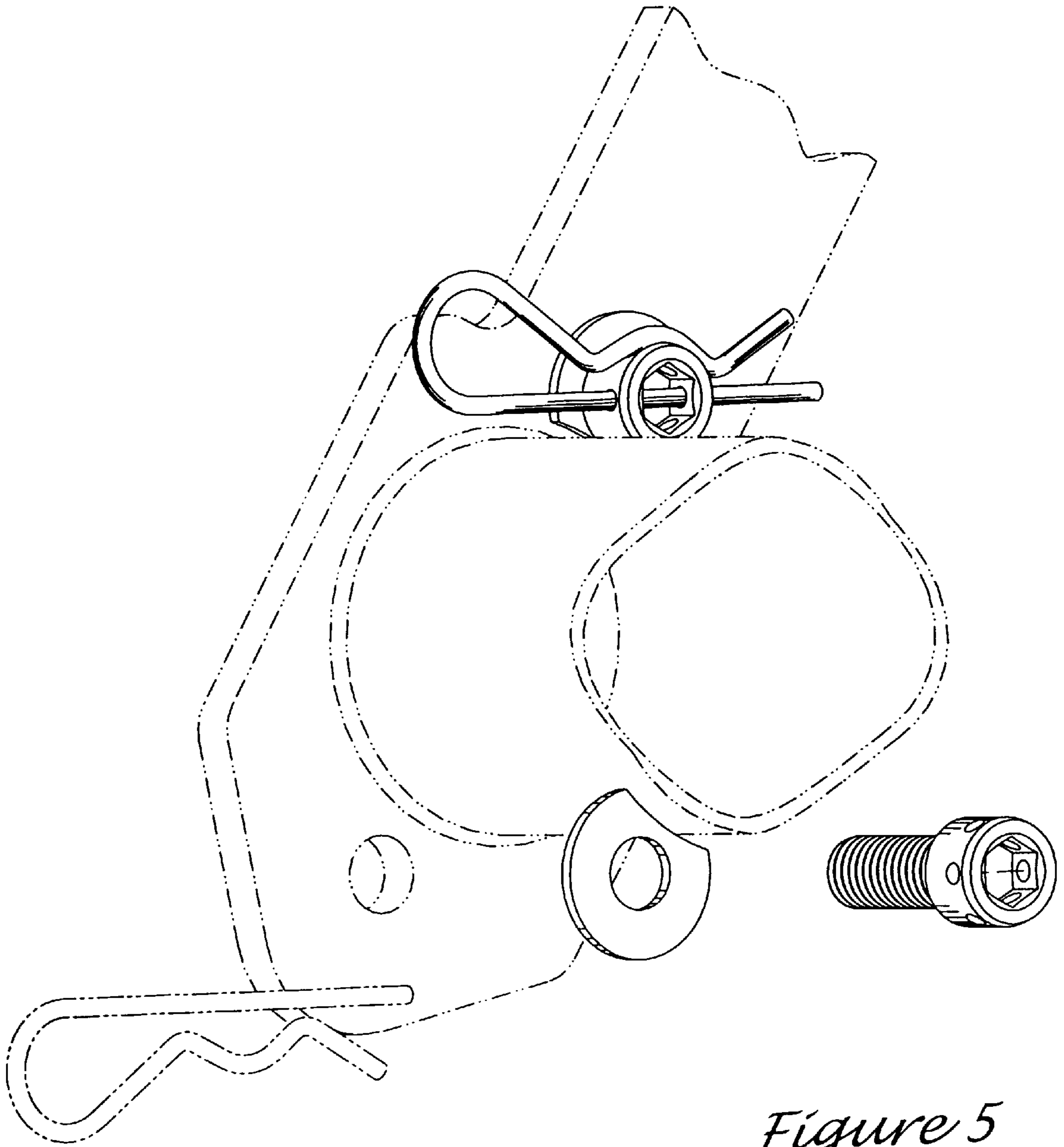


Figure 5

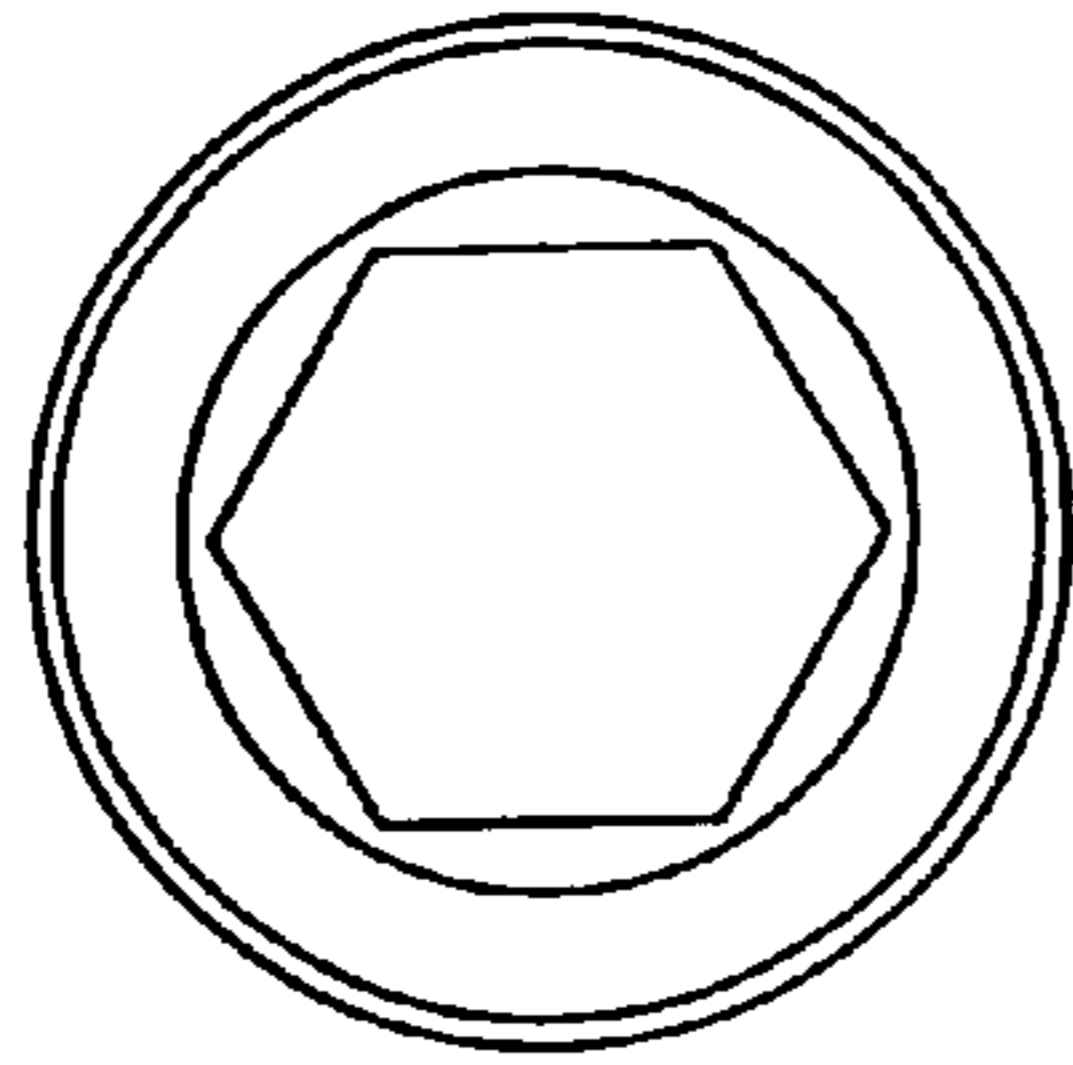


Figure 6

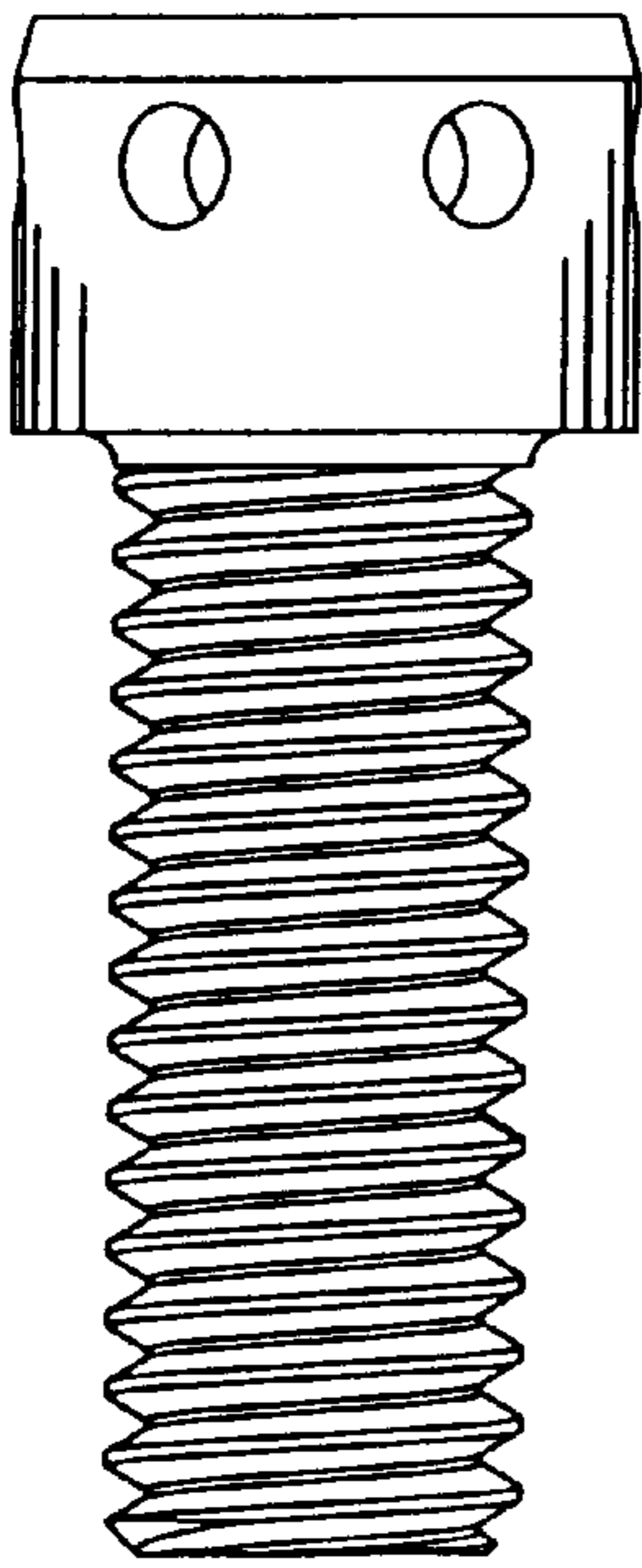


Figure 7

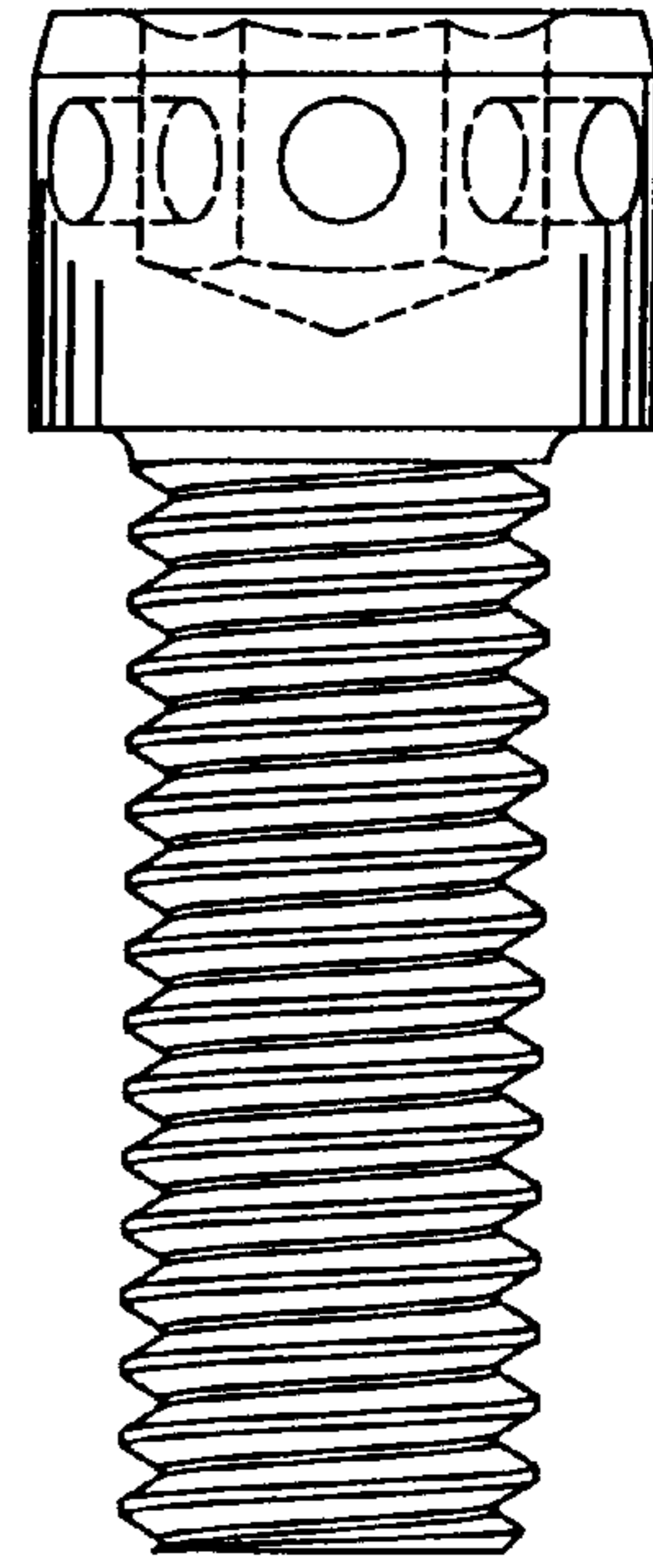


Figure 8

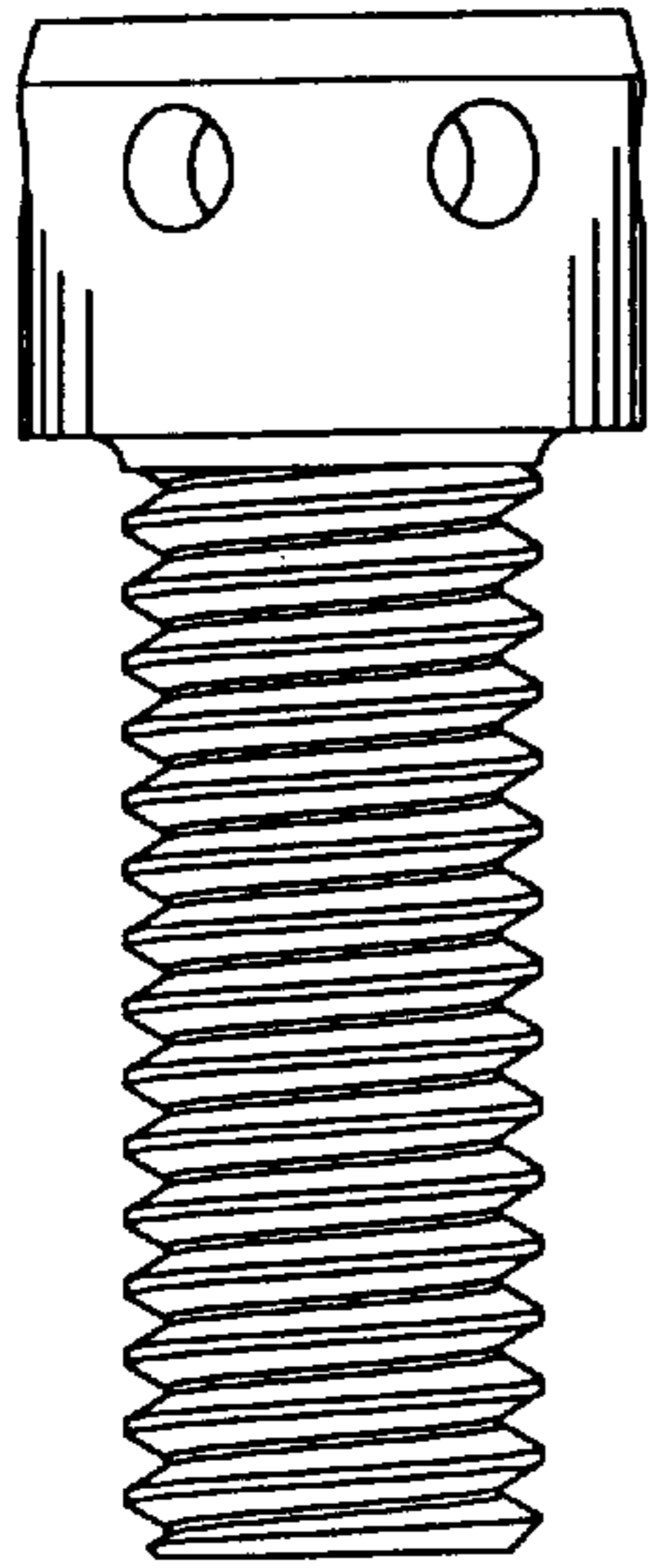


Figure 9

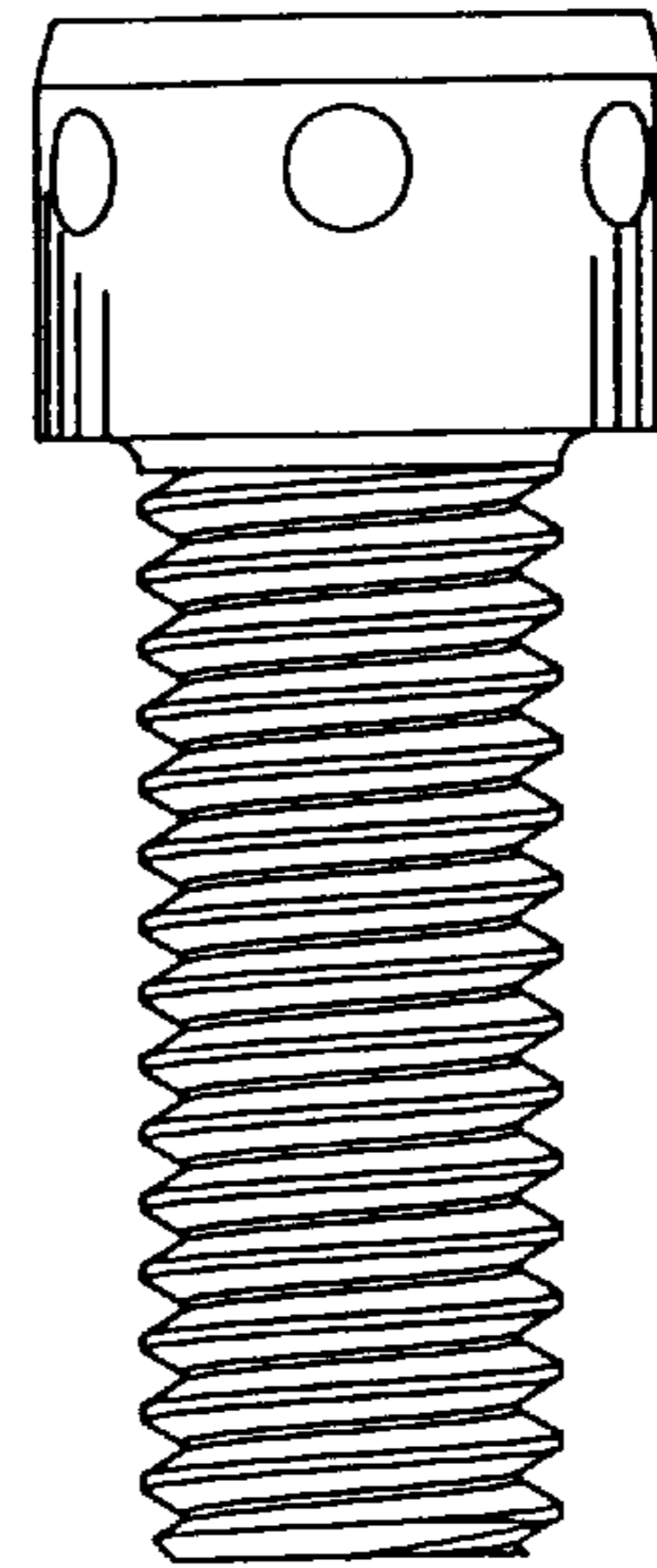


Figure 10

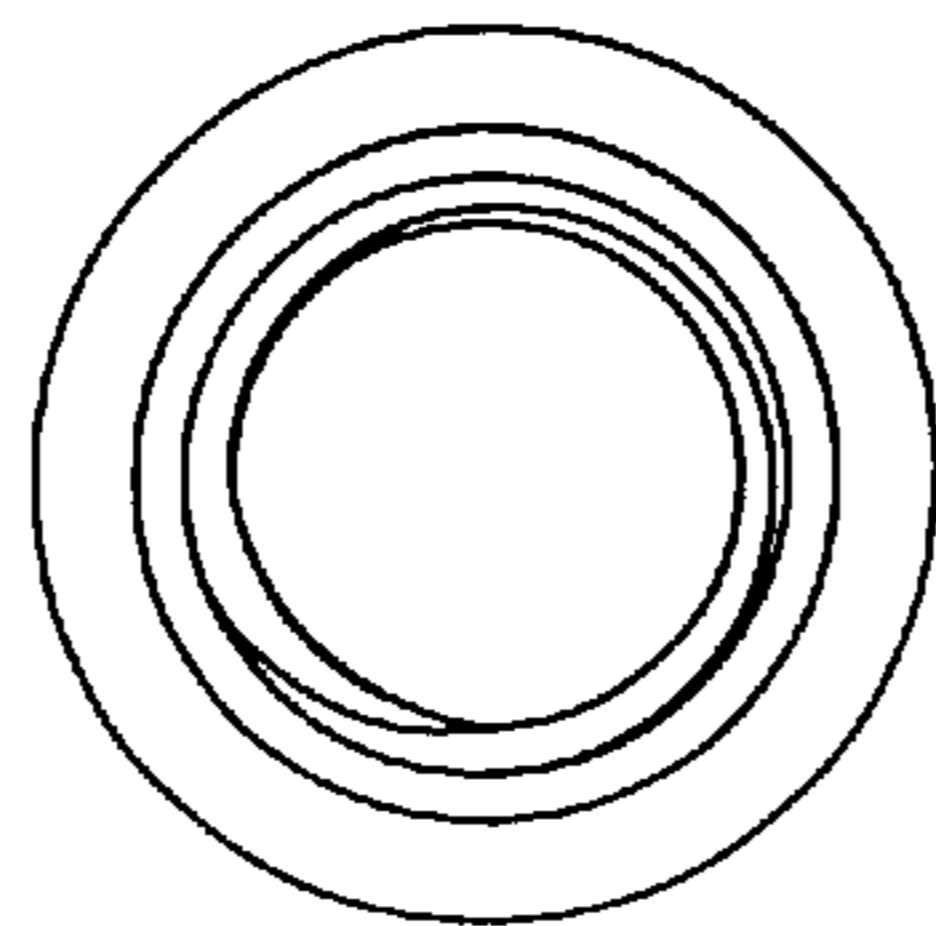


Figure 11

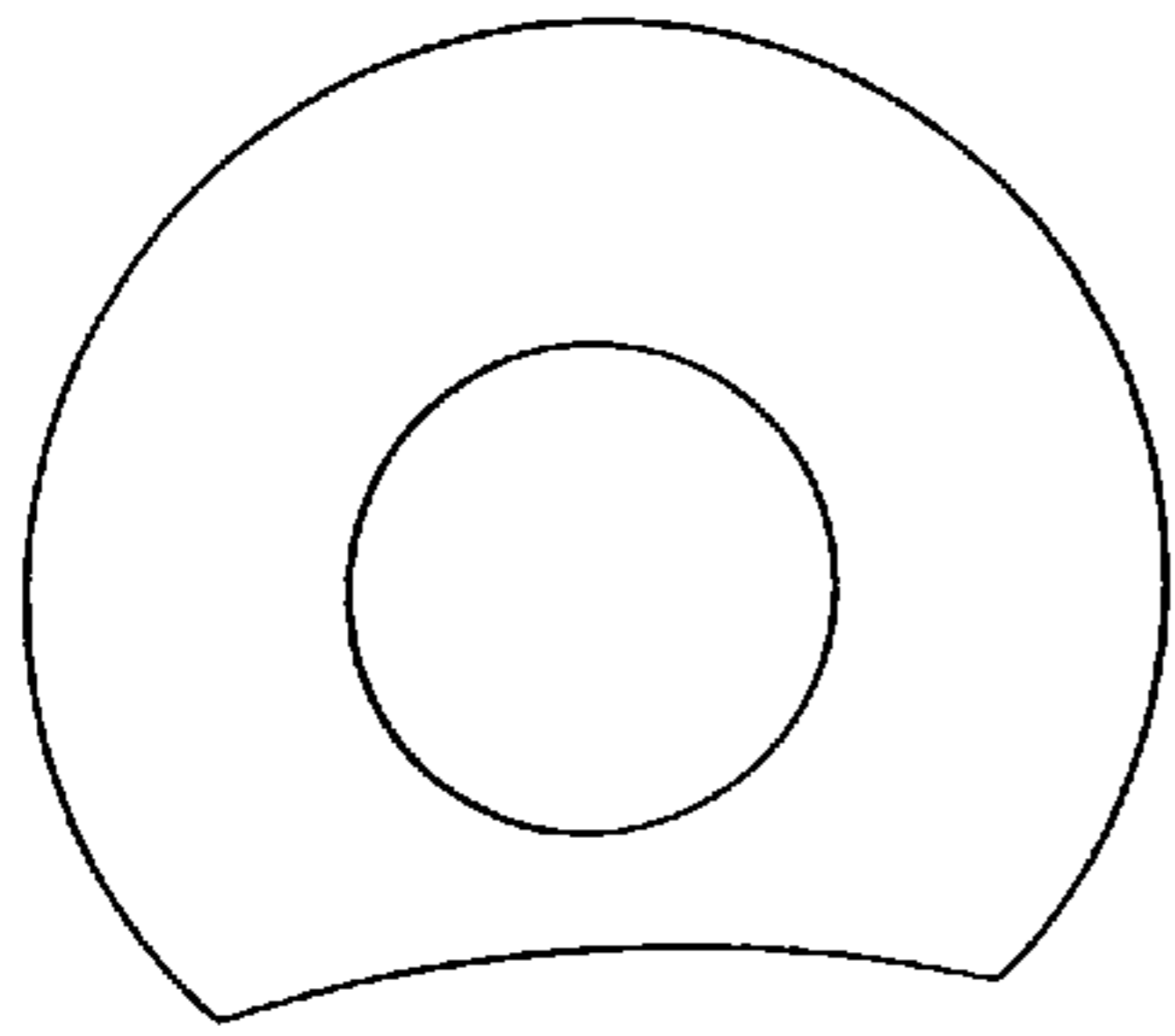


Figure 12

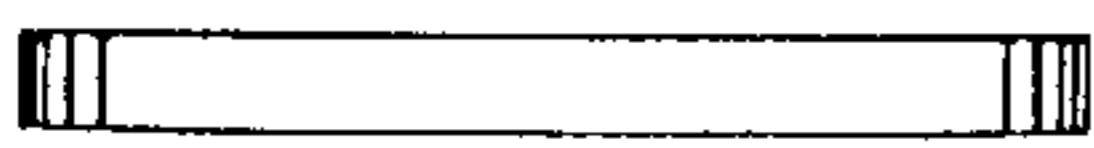


Figure 13

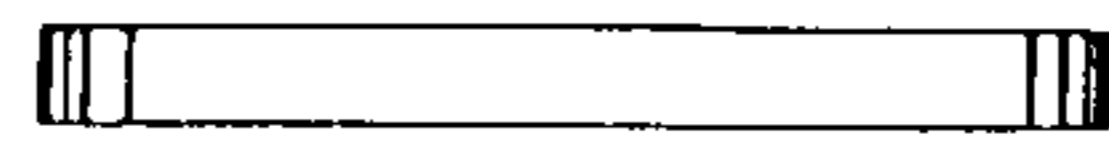


Figure 15

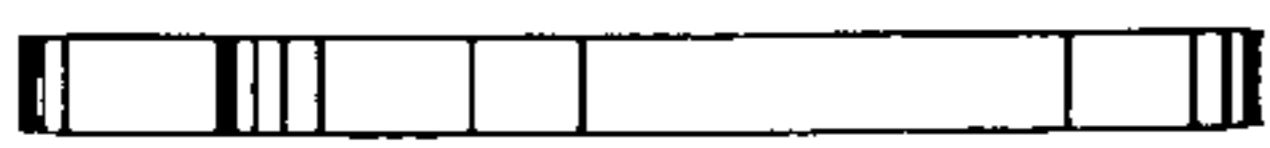


Figure 14

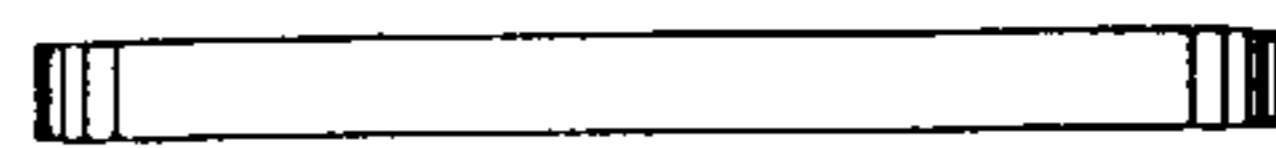


Figure 16

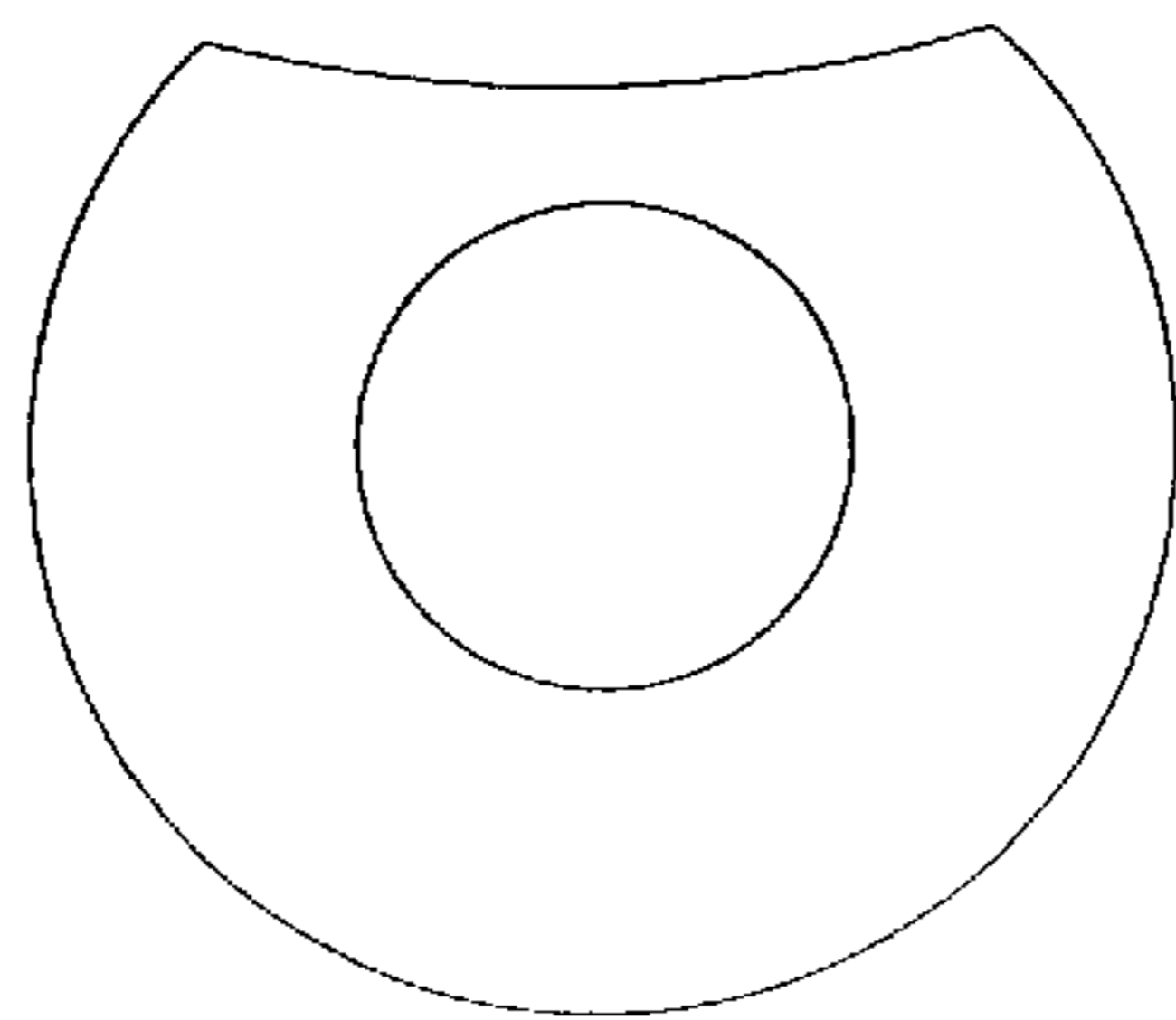


Figure 17

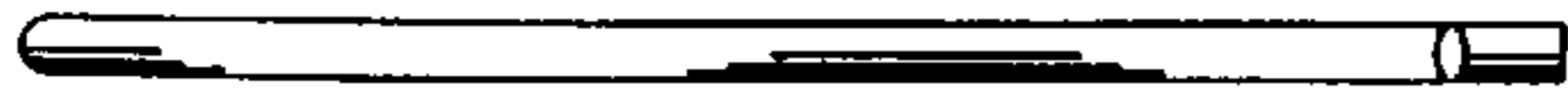


Figure 18



Figure 19

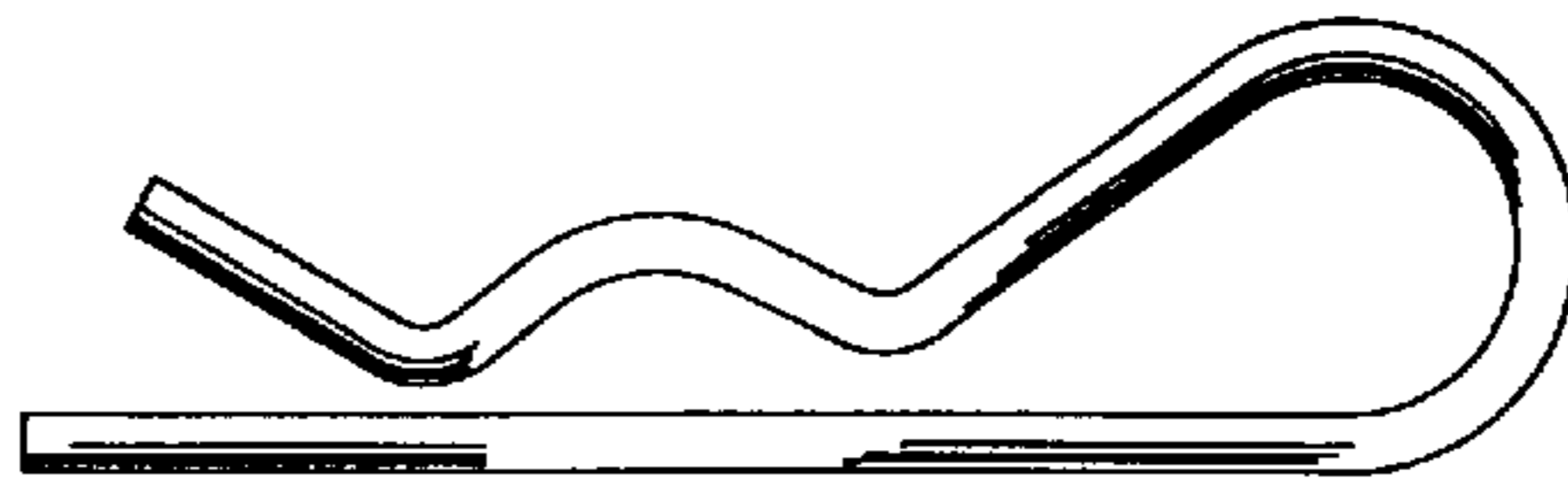


Figure 22

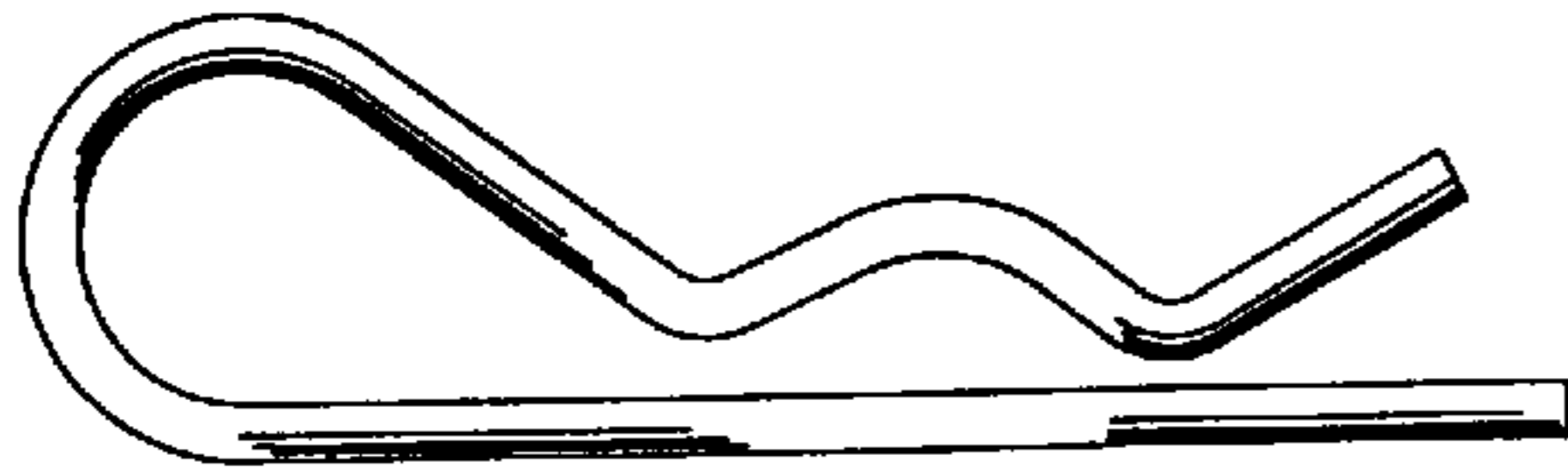


Figure 20

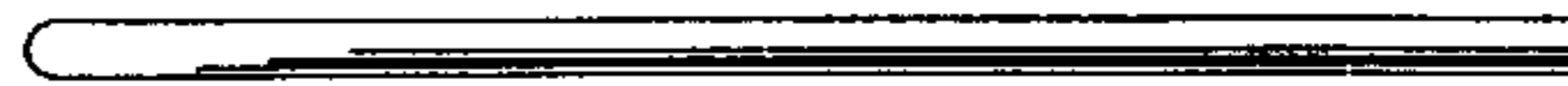


Figure 23



Figure 21