



US00D433927S

United States Patent [19]

[11] **Patent Number: Des. 433,927**

Ellery

[45] **Date of Patent: ** Nov. 21, 2000**

[54] **PIPE HANGER**

[57] **CLAIM**

[75] Inventor: **Michael K. Ellery**, W. Warwick, R.I.

The ornamental design for a pipe hanger, as shown and described.

[73] Assignee: **Cramik Enterprises, Inc.**, West Warwick, R.I.

DESCRIPTION

[**] Term: **14 Years**

FIG. 1 is a perspective view showing a first embodiment of my new design for a pipe hanger; FIG. 2 is a front view thereof; FIG. 3 is a top view thereof; FIG. 4 is a right side view thereof; FIG. 5 is a bottom view thereof; FIG. 6 is a rear view thereof; FIG. 7 is a left side view thereof; FIG. 8 is a perspective view showing a second embodiment of my new design for a pipe hanger; FIG. 9 is a front view thereof; FIG. 10 is a top view thereof; FIG. 11 is a right side view thereof; FIG. 12 is a bottom view thereof; FIG. 13 is a rear view thereof; and, FIG. 14 is a left side view thereof.

[21] Appl. No.: **29/119,946**

[22] Filed: **Mar. 10, 2000**

[51] **LOC (7) Cl.** **08-05**

[52] **U.S. Cl.** **D8/380**

[58] **Field of Search** D8/380, 373; 248/59, 248/62, 73

The material shown in dotted line is included for illustration and environmental purposes only and is not intended to form a part of the illustrated design.

[56] **References Cited**

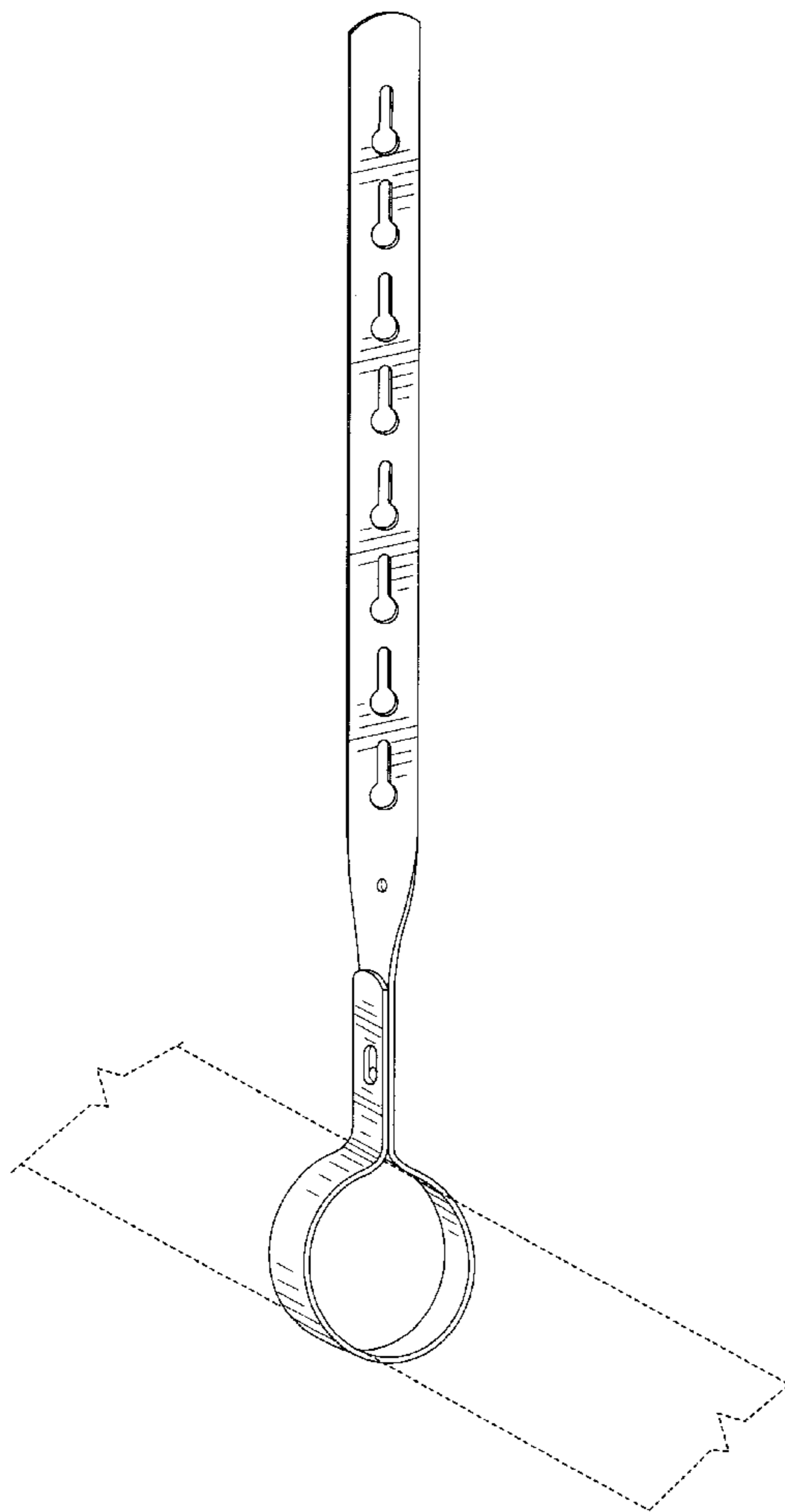
U.S. PATENT DOCUMENTS

D. 382,195	8/1997	Ekern	D8/373
D. 390,775	2/1998	DePietro	D8/373
1,362,244	12/1920	Farley	248/59
2,339,992	1/1944	Hohmeister	248/62
3,273,837	9/1966	Willert et al.	248/59

Primary Examiner—Holly Baynham

Attorney, Agent, or Firm—Barlow, Josephs & Holmes, Ltd.

1 Claim, 8 Drawing Sheets



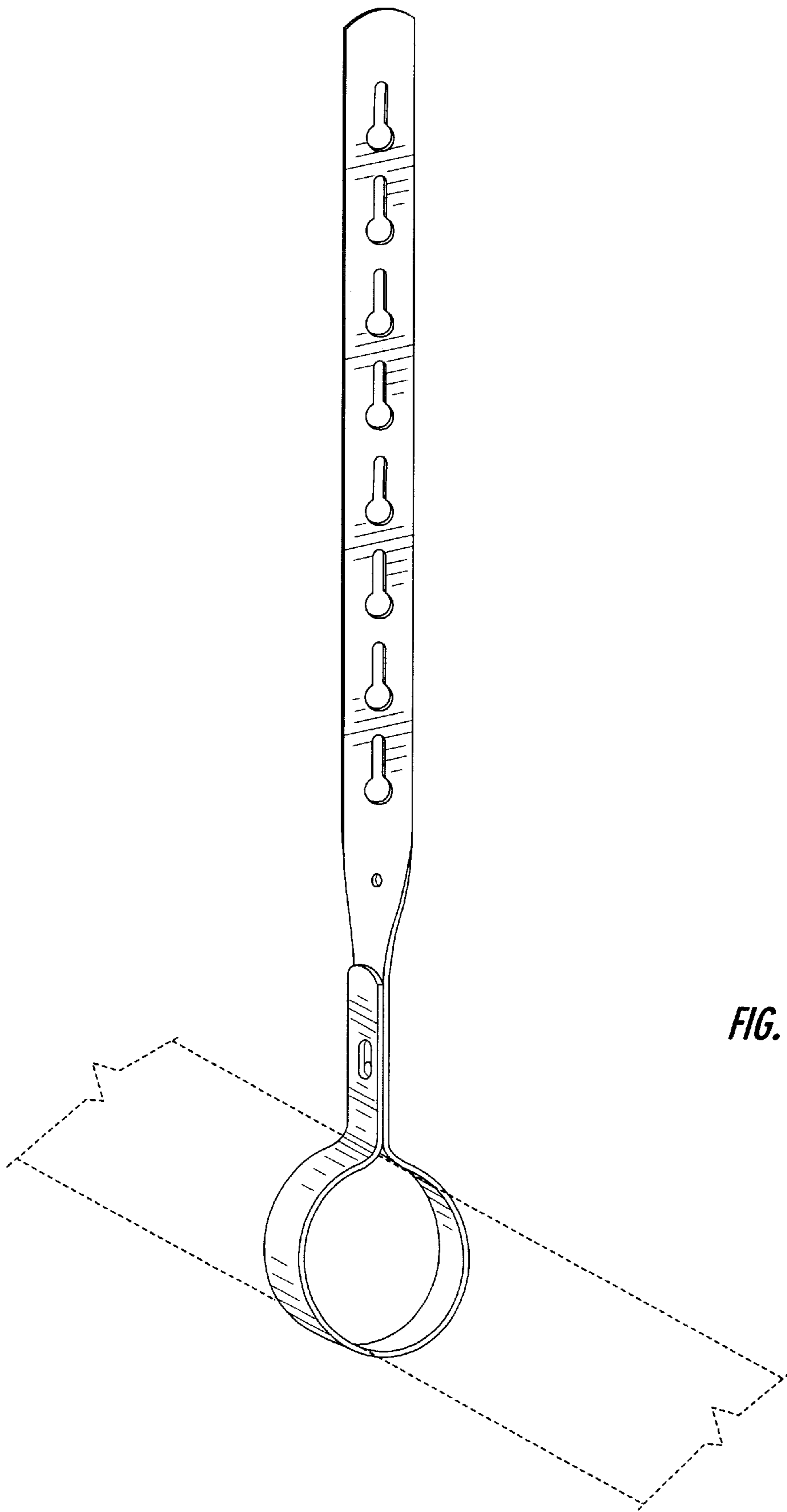


FIG. 1.

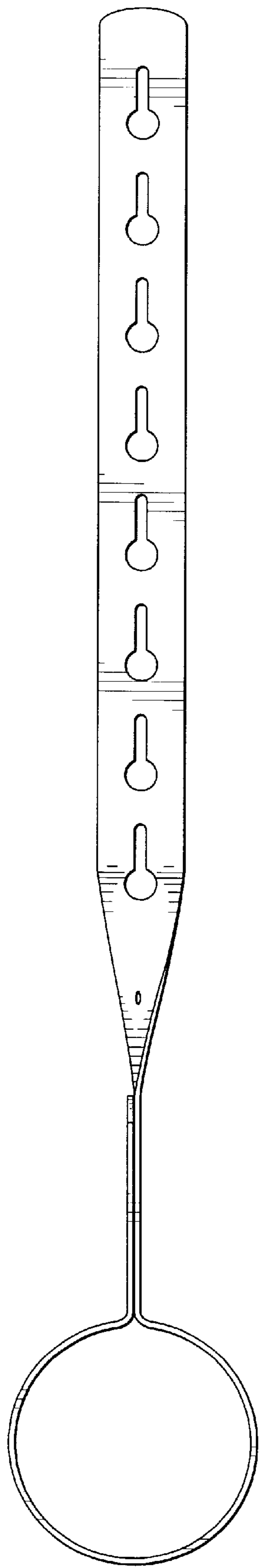


FIG. 2.

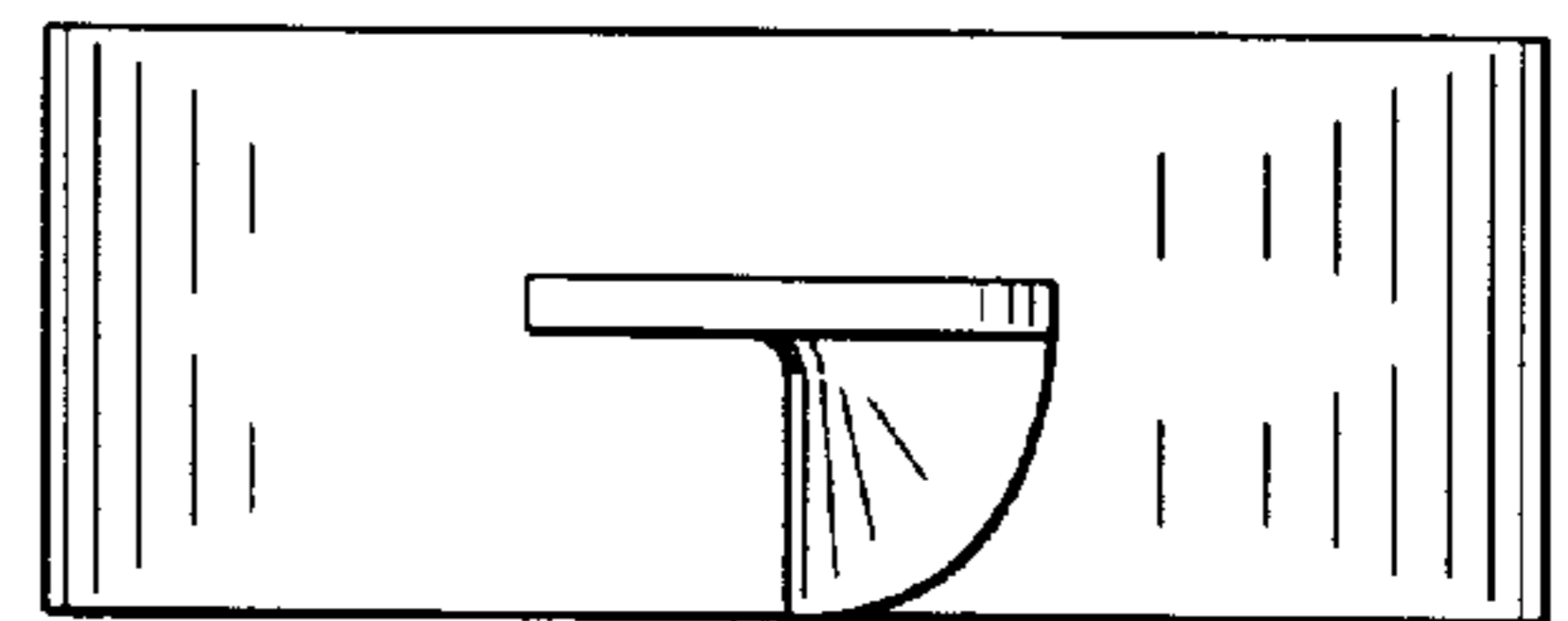


FIG. 3.

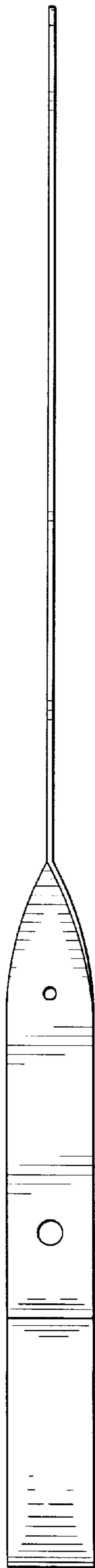


FIG. 4.

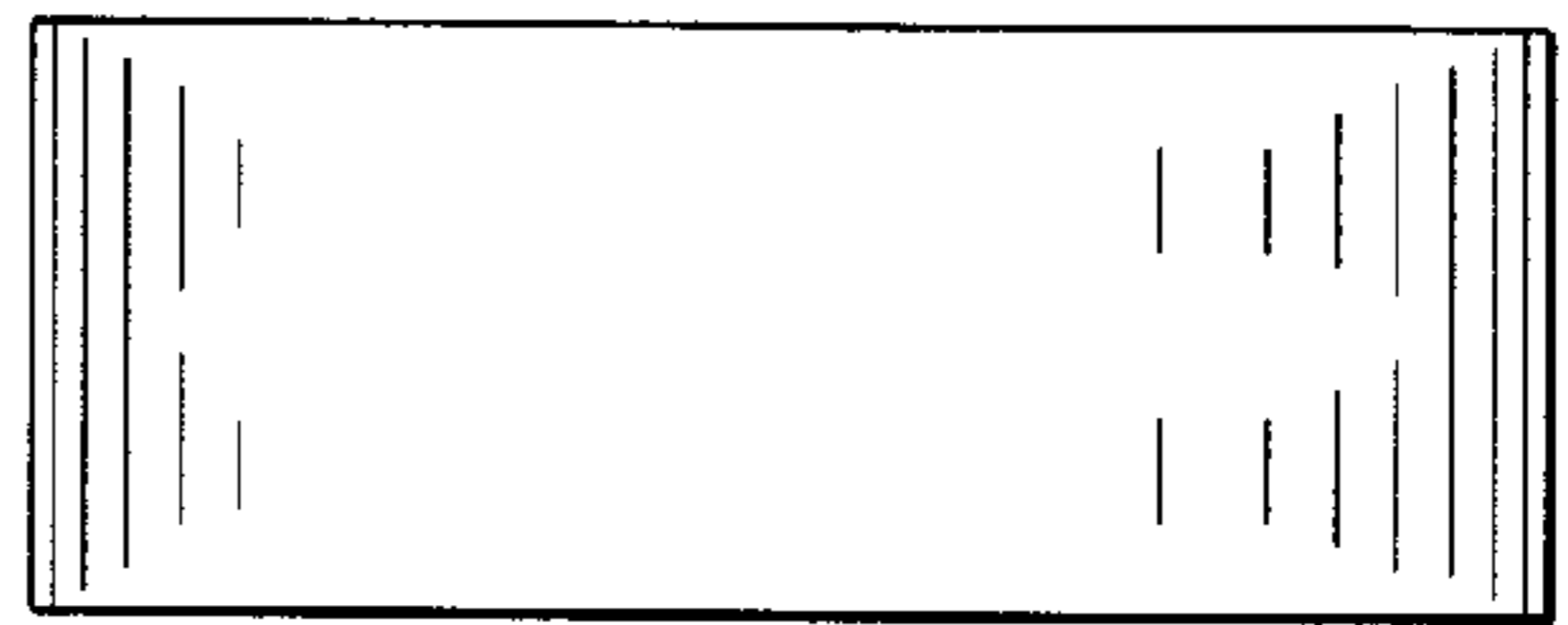


FIG. 5.

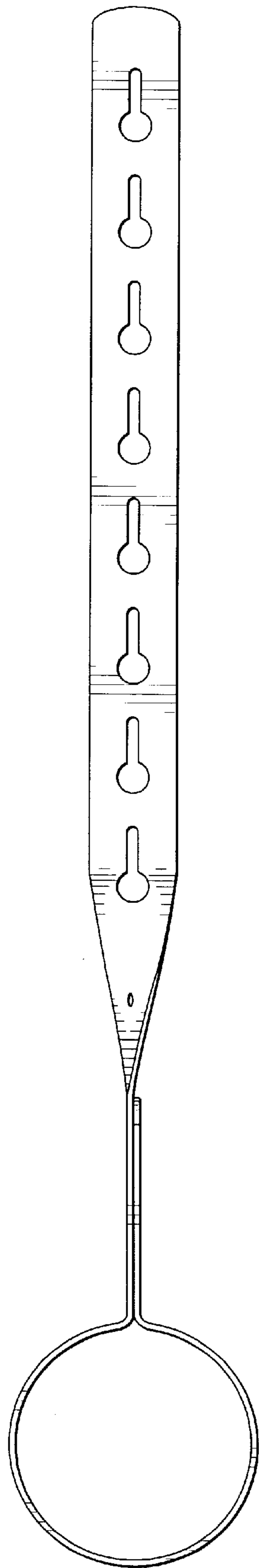


FIG. 6.

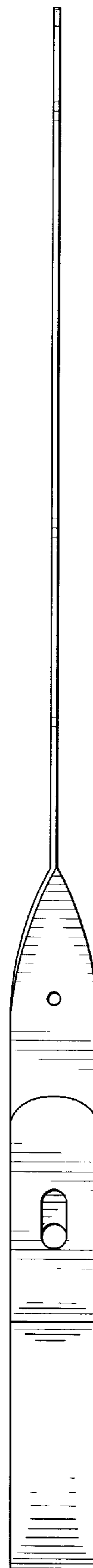


FIG. 7.

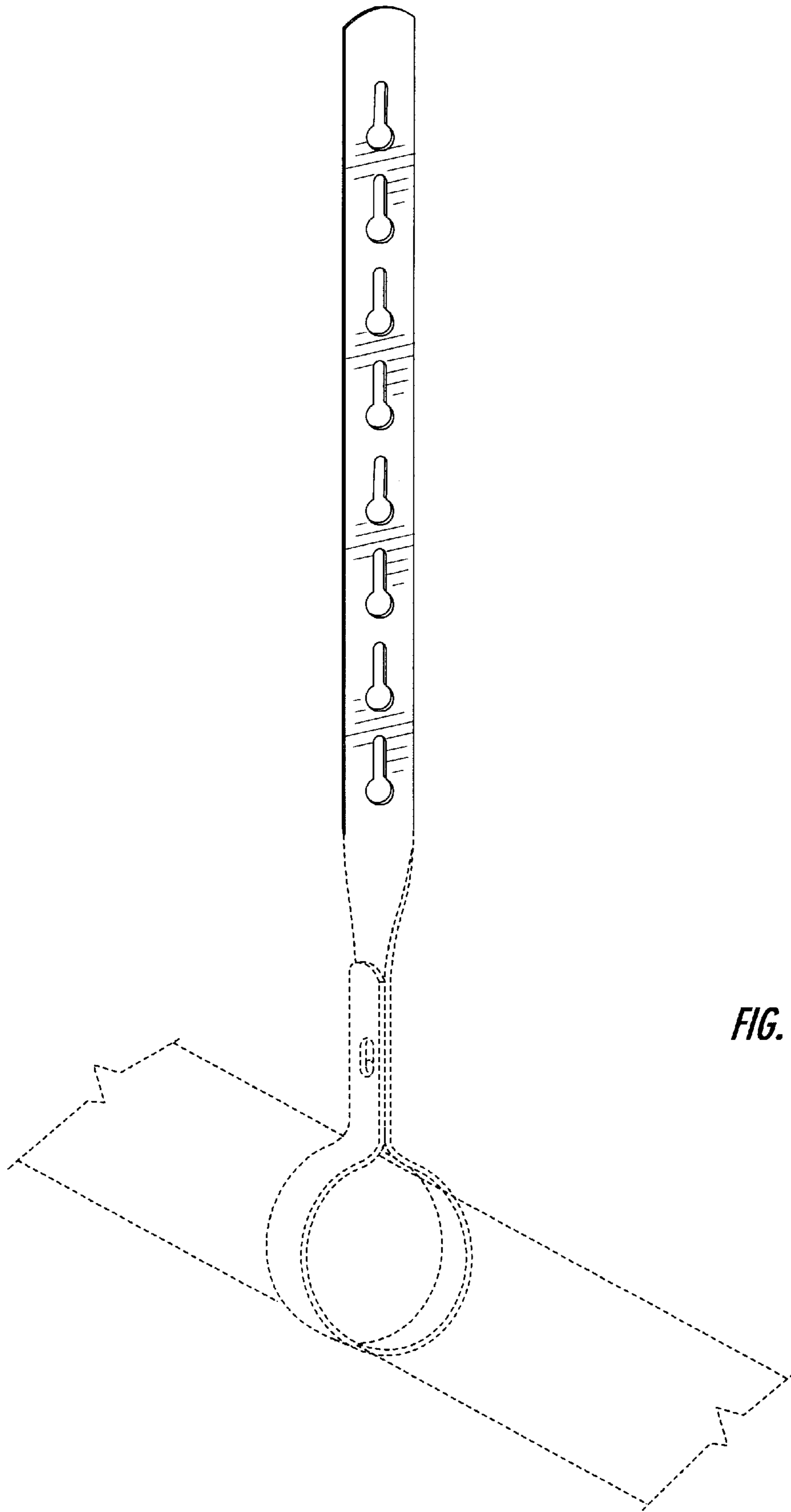


FIG. 8.

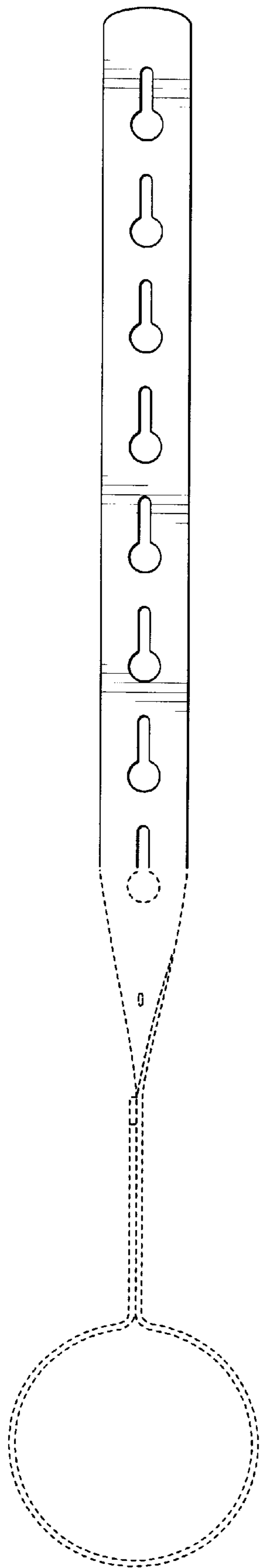


FIG. 9.

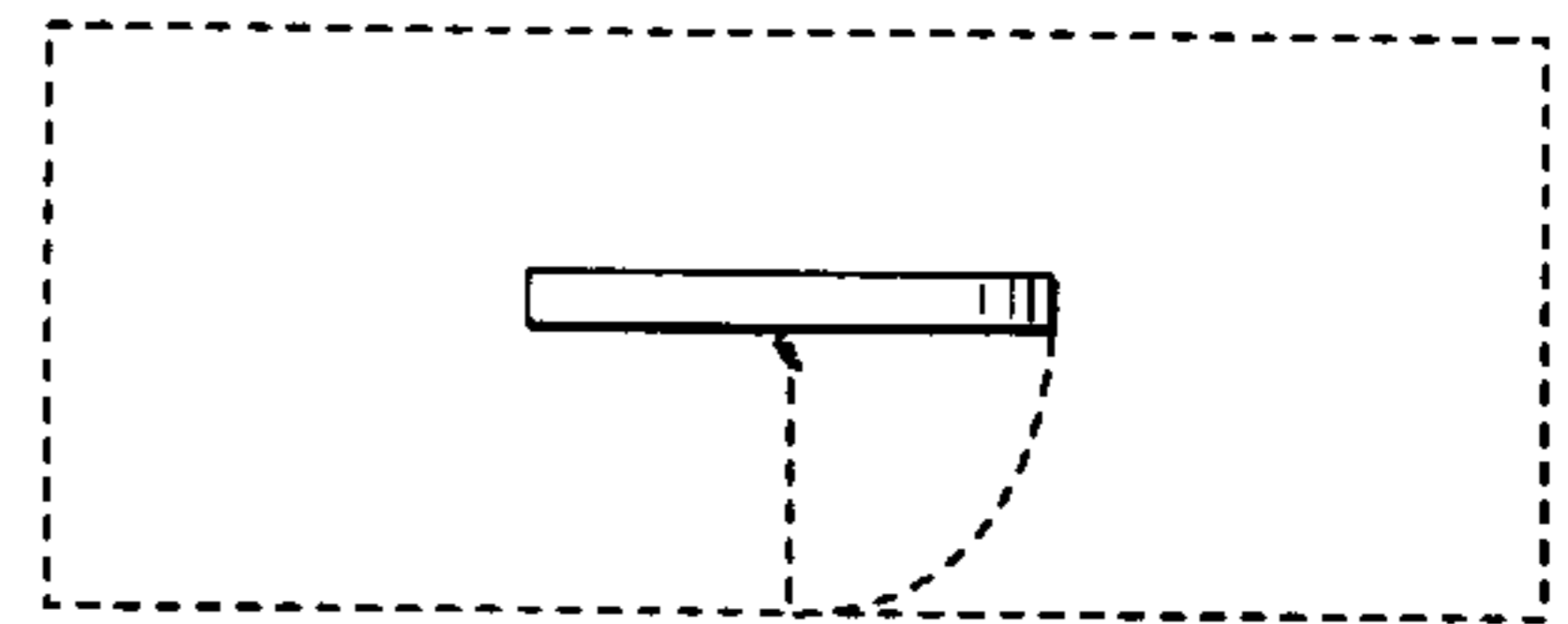


FIG. 10.

FIG. 11.

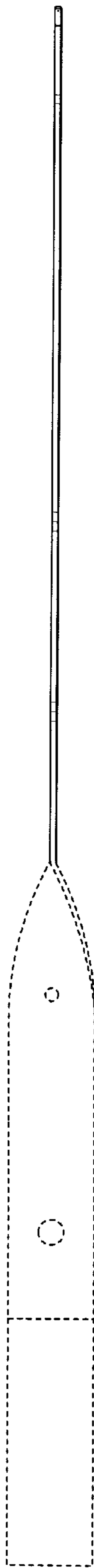


FIG. 12.

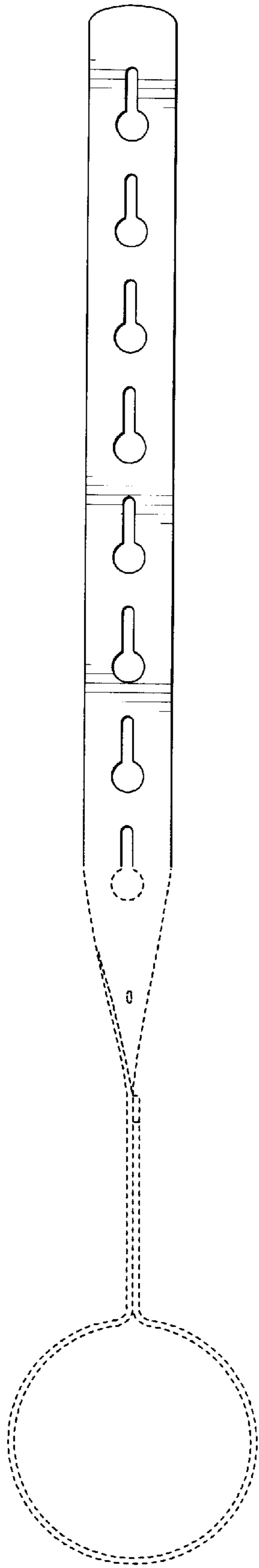


FIG. 13.

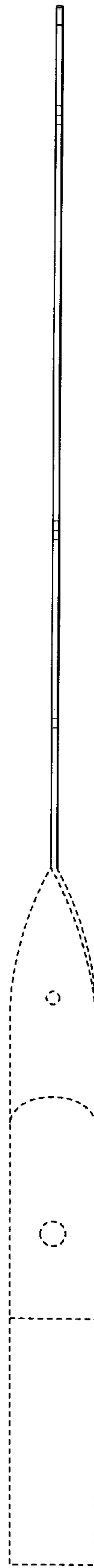


FIG. 14.