



US00D433926S

United States Patent [19]
Worrall

[11] **Patent Number: Des. 433,926**

[45] **Date of Patent: ** Nov. 21, 2000**

[54] **BRACKET, PRINCIPALLY FOR SUPPORTING A TELEVISION SET**

D. 352,652 11/1994 Vogels D8/380
D. 357,406 4/1995 Whitaker D8/380
D. 406,228 3/1999 Vogels D8/380
5,277,392 1/1994 Rossman et al. 248/281.1 X

[75] Inventor: **Raymond Worrall**, Wolverhampton, United Kingdom

Primary Examiner—Brian N. Vinson
Attorney, Agent, or Firm—Saidman DesignLaw Group

[73] Assignee: **AVF Group Limited**, United Kingdom

[**] Term: **14 Years**

[57] **CLAIM**

[21] Appl. No.: **29/110,755**

The ornamental design for a bracket, principally for supporting a television set, as shown herein.

[22] Filed: **Sep. 13, 1999**

[30] **Foreign Application Priority Data**

DESCRIPTION

Mar. 13, 1999 [GB] United Kingdom 2081949

FIG. 1 is a top plan view of the bracket with parts thereof in a first position;

[51] **LOC (7) Cl.** **08-05**

FIG. 2 is a top plan view of the bracket with said parts in a second position;

[52] **U.S. Cl.** **D8/380**

[58] **Field of Search** D8/349, 354, 355, D8/363, 380, 381; 248/670, 220.2, 235, 241, 274, 284, 281.1, 291, 312

FIG. 3 is a perspective view of the bracket shown in FIG. 2; FIG. 4 is a side view of the bracket shown in FIG. 2, with the opposite side view corresponding; and,

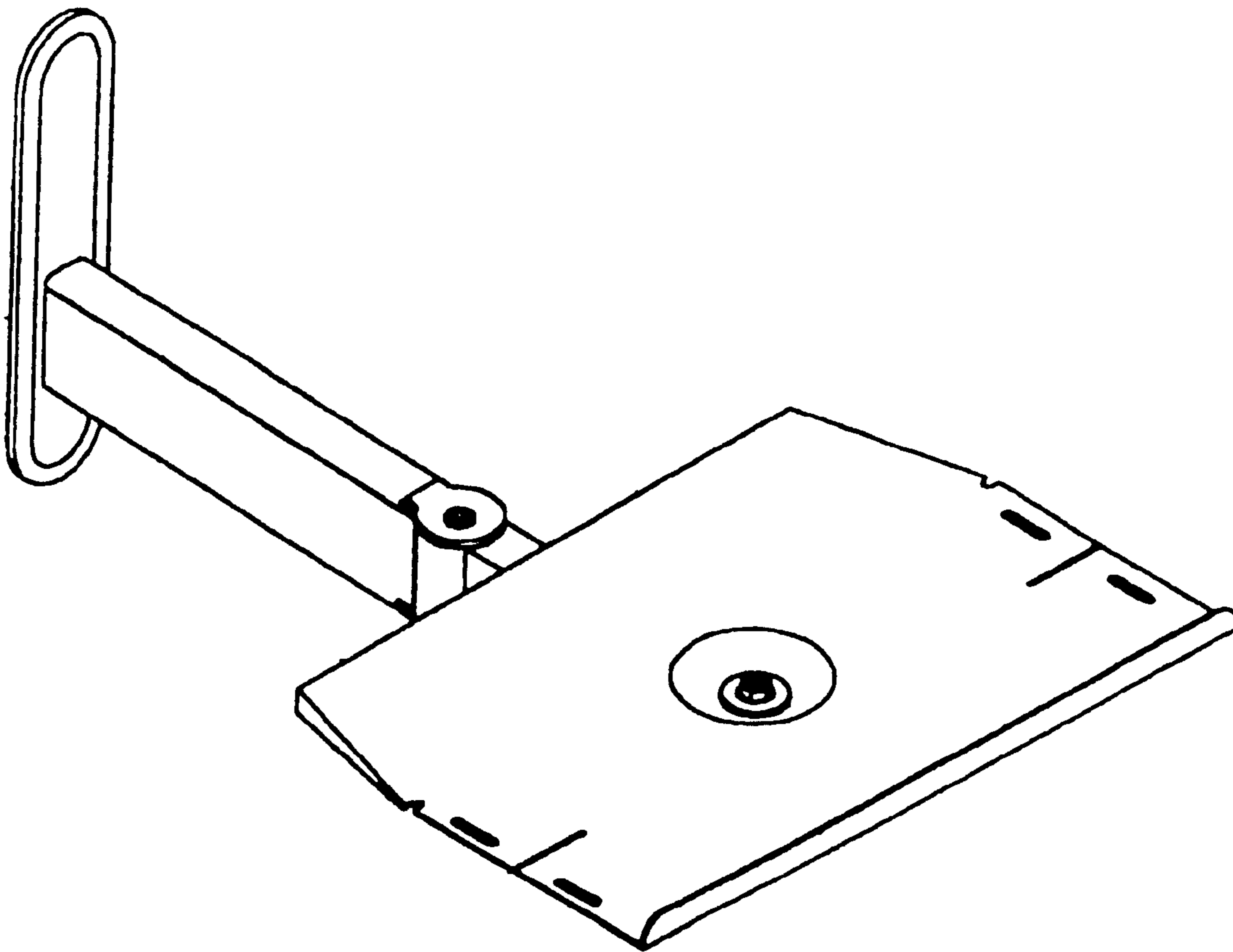
[56] **References Cited**

FIG. 5 is a front view of the bracket shown in FIG. 2.

U.S. PATENT DOCUMENTS

D. 320,928 10/1991 Boscacci et al. D8/280

1 Claim, 2 Drawing Sheets



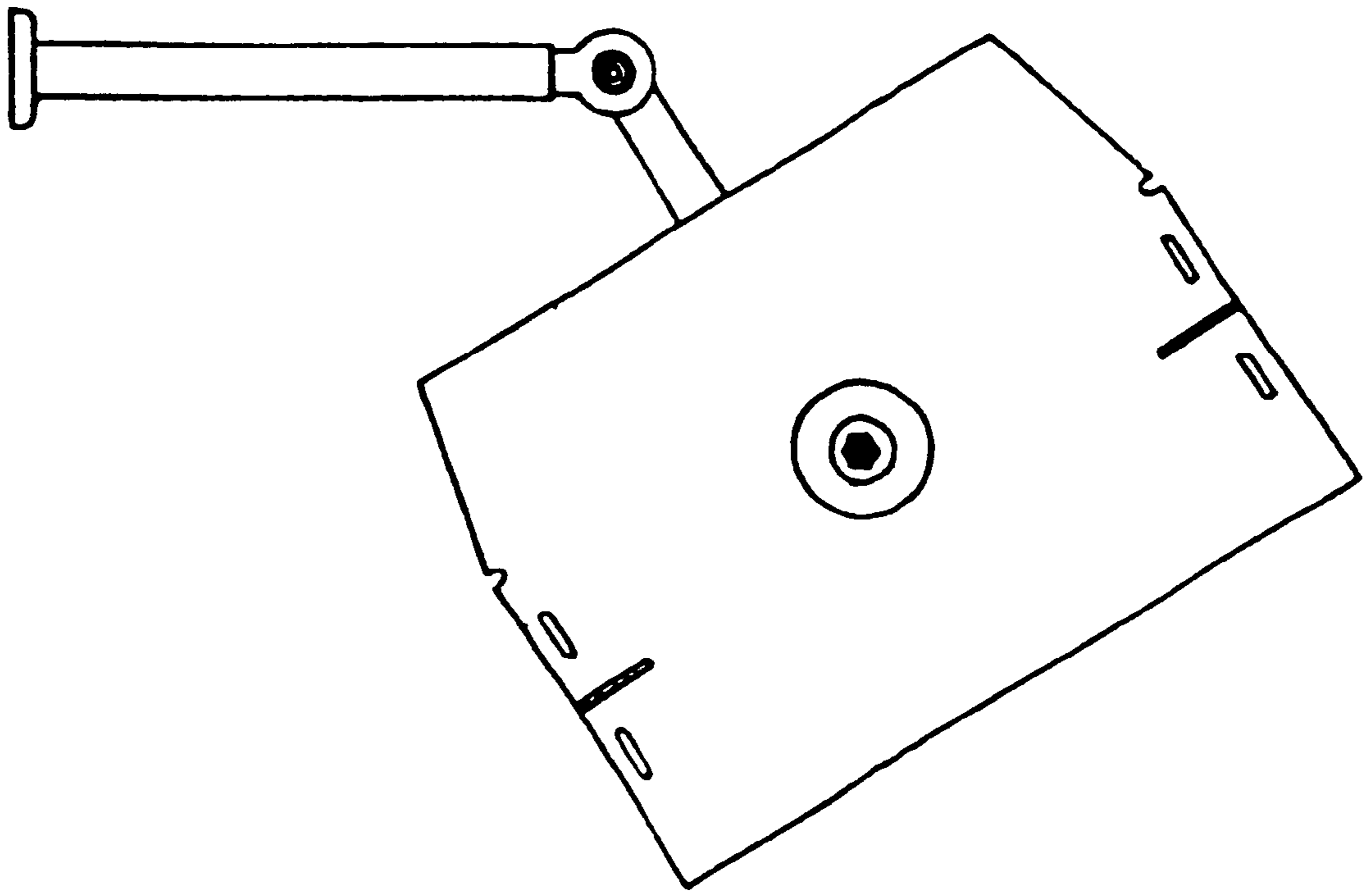


FIG 1

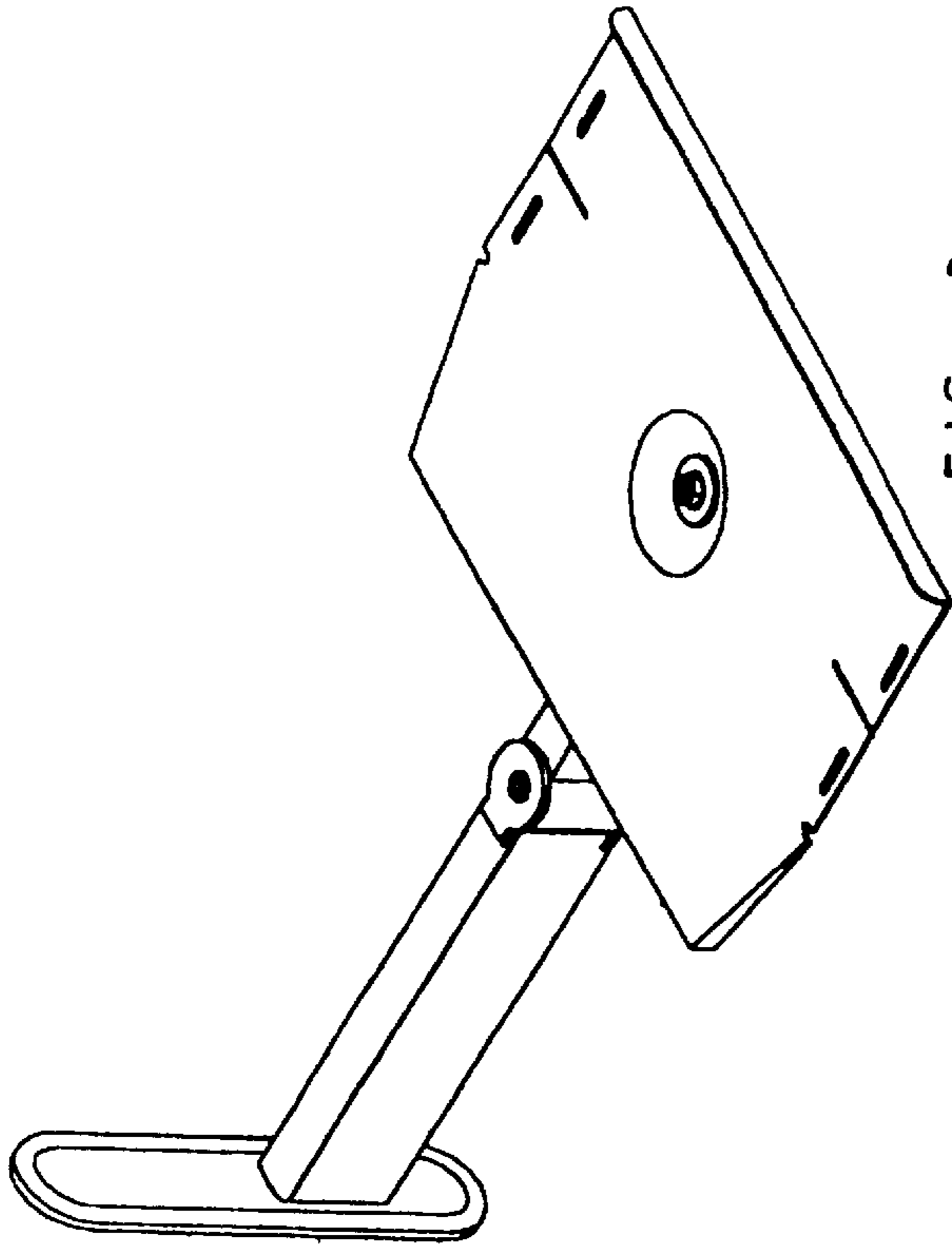


FIG. 3

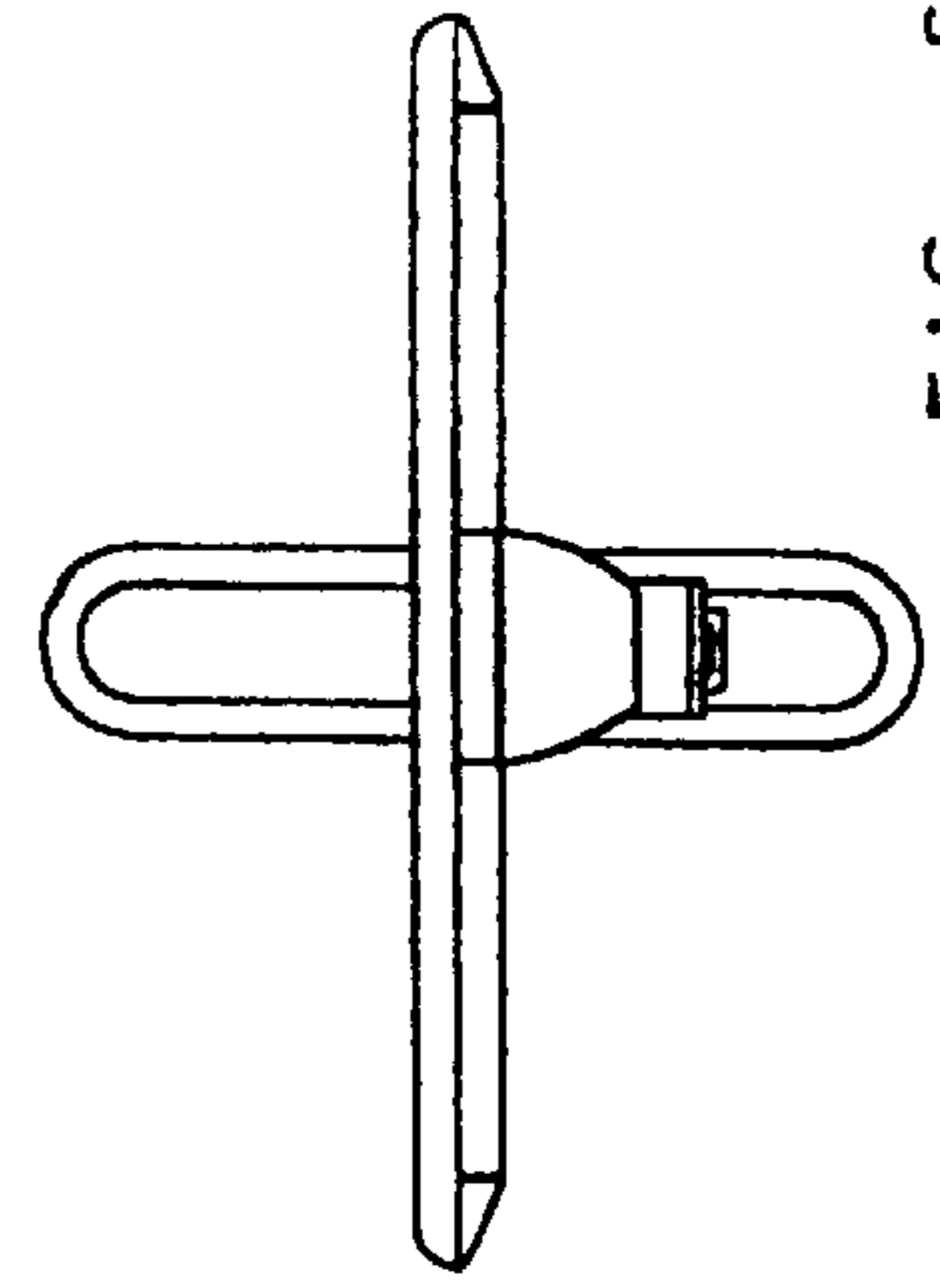


FIG. 5

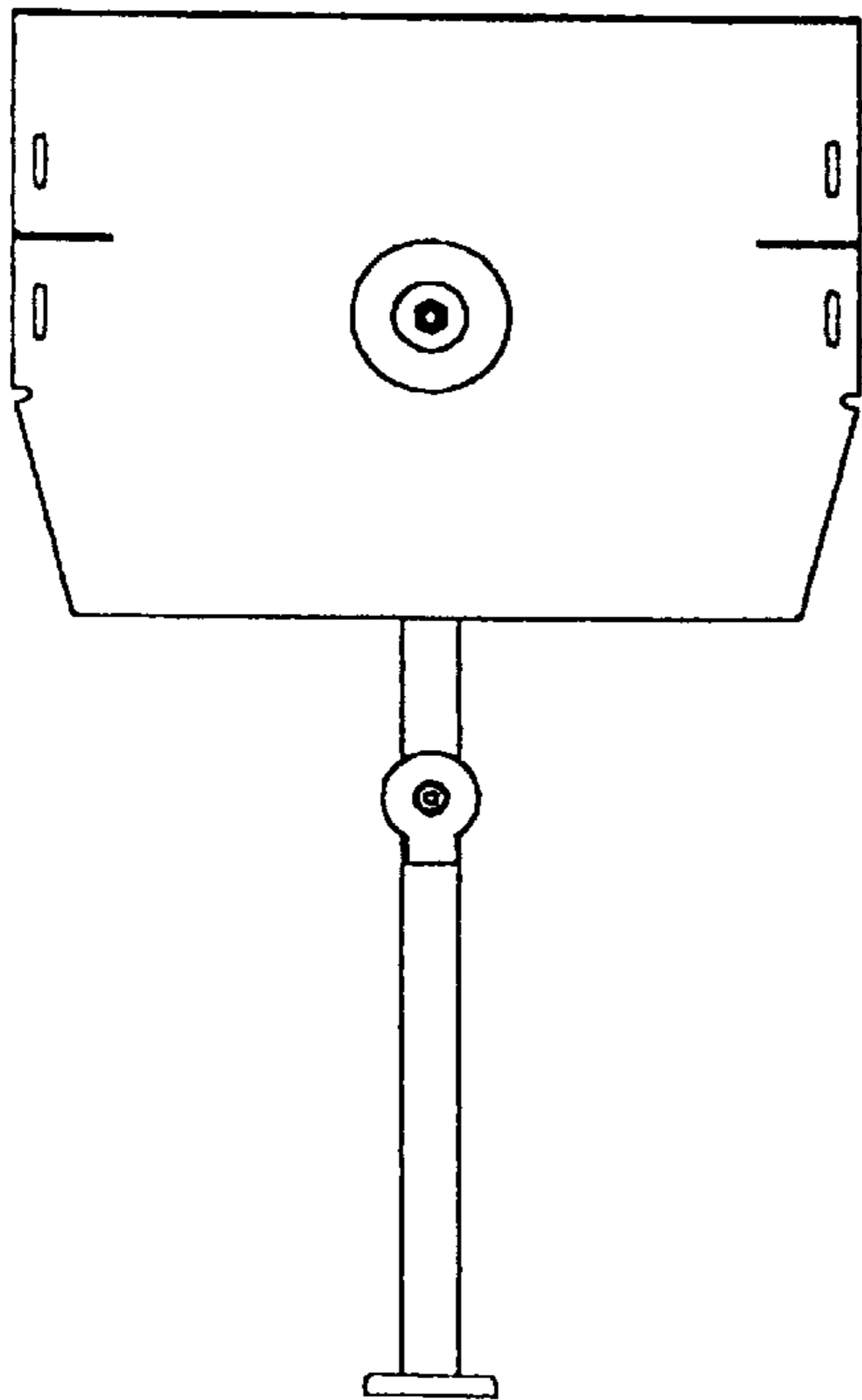


FIG. 2

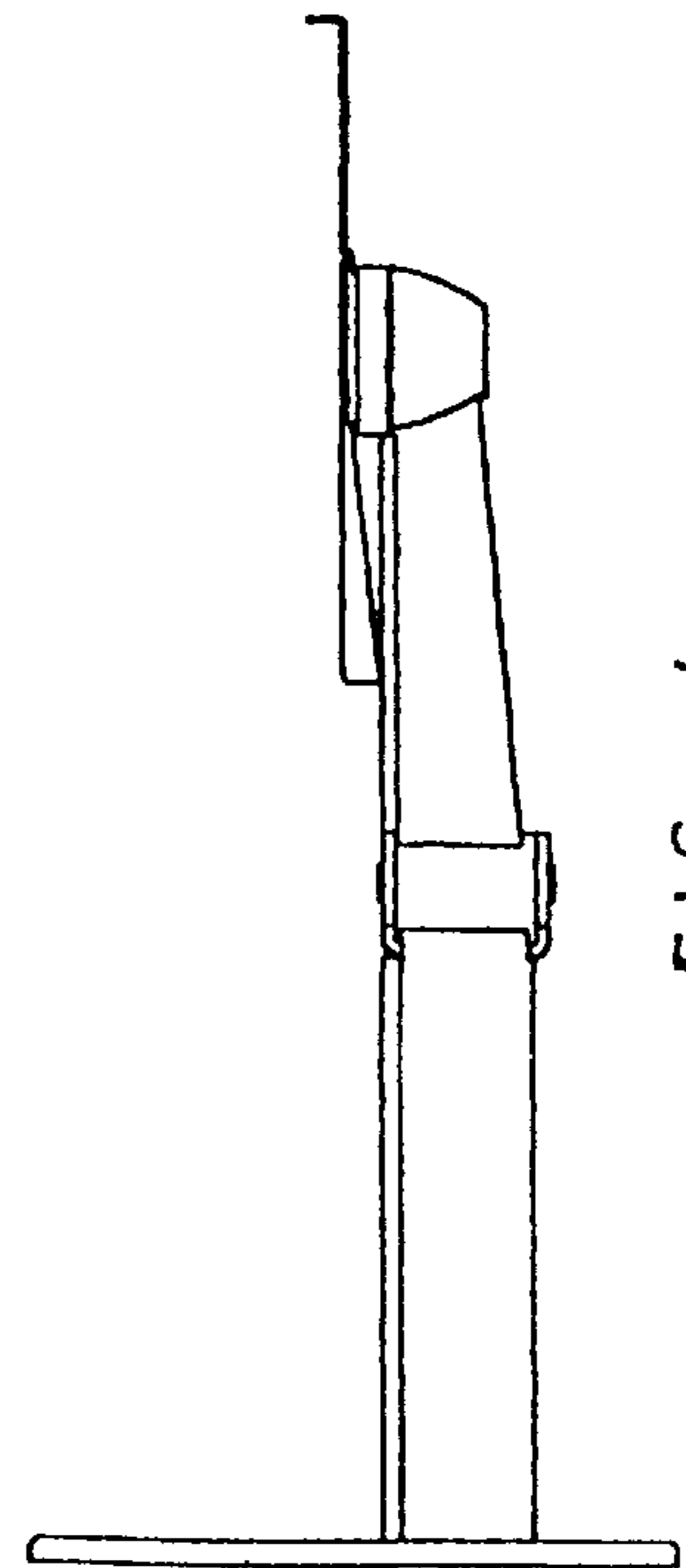


FIG. 4