



US00D433925S

United States Patent [19]

Graves et al.

[11] Patent Number: Des. 433,925

[45] Date of Patent: ** Nov. 21, 2000

[54] FINIAL

D. 84,307 6/1931 Smith D8/378

[75] Inventors: **Brian Graves; Zhiwei Xu**, both of San Diego, Calif.

Primary Examiner—Holly Baynham
Attorney, Agent, or Firm—Dobrusin Darden Thennisch Law Firm PLLC

[73] Assignee: **Beme International LLC**, San Diego, Calif.

[57] CLAIM

[**] Term: **14 Years**

The ornamental design for a finial, as shown.

[21] Appl. No.: **29/109,597**

DESCRIPTION

[22] Filed: **Aug. 18, 1999**

FIG. 1 shows a perspective view of a finial incorporating our design.

[51] **LOC (7) Cl.** **08-05**

FIG. 2 shows a bottom plan view of the finial shown in FIG. 1, the top view being identical to the bottom view.

[52] **U.S. Cl.** **D8/378**

FIG. 3 shows a left side elevational view of the finial shown in FIG. 1.

[58] **Field of Search** D8/378; D26/154; 428/28

FIG. 4 shows a right side elevational view of the finial shown in FIG. 1; and,

[56] References Cited

FIG. 5 shows a front elevational view of the finial shown in FIG. 1, the rear elevational view being the mirror image of the front view.

U.S. PATENT DOCUMENTS

- D. 71,715 4/1926 Crowell D8/378
- D. 80,267 1/1930 Greene D8/378

1 Claim, 2 Drawing Sheets

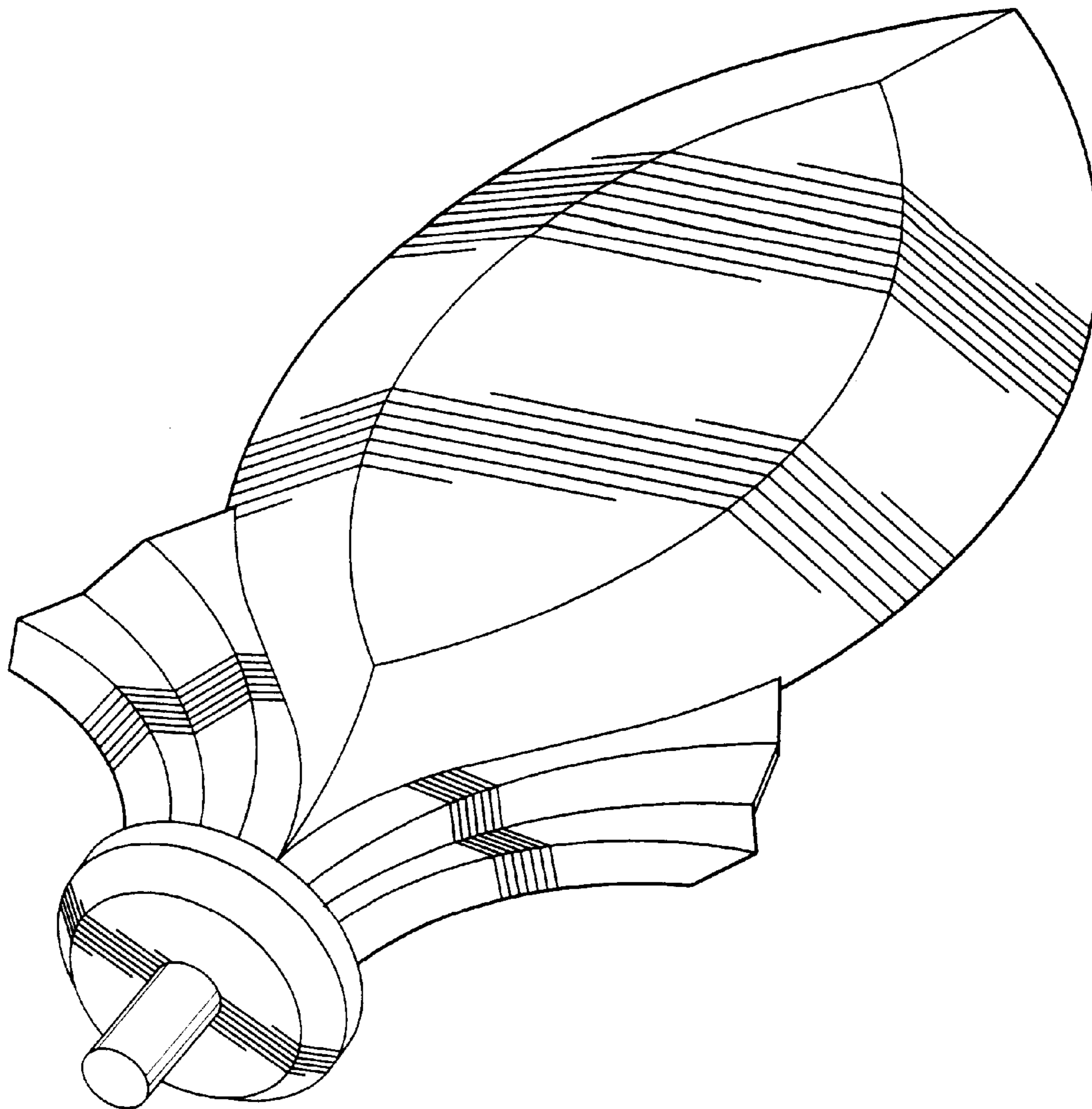


Fig-1

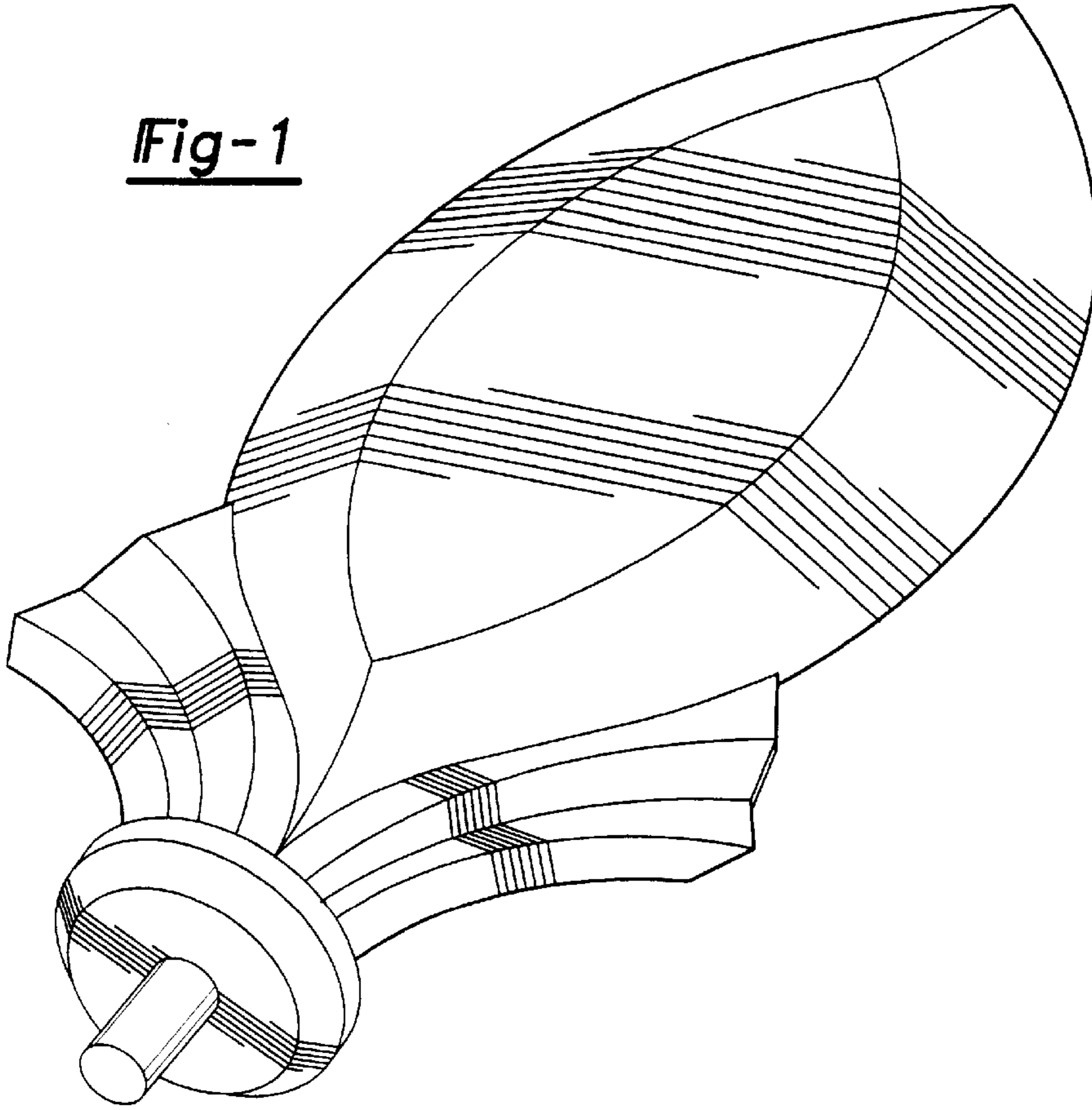


Fig-2

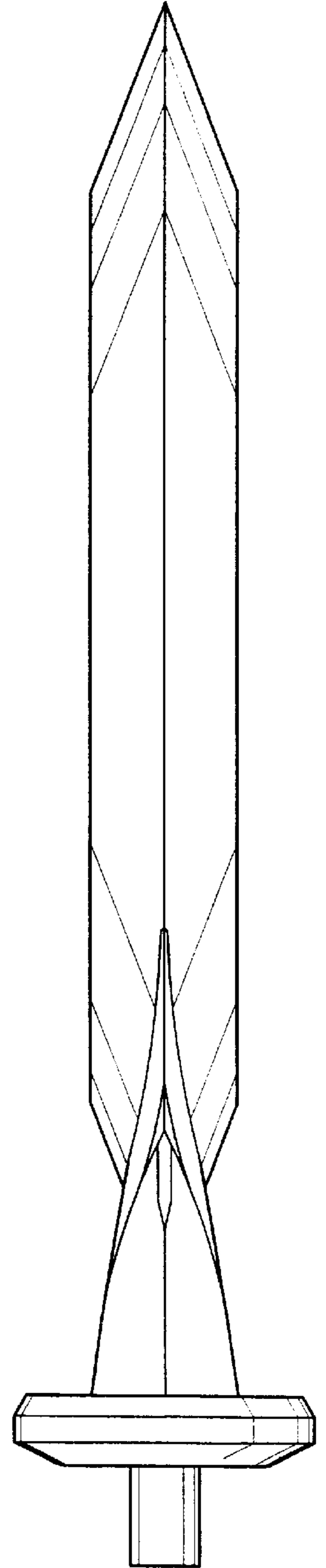
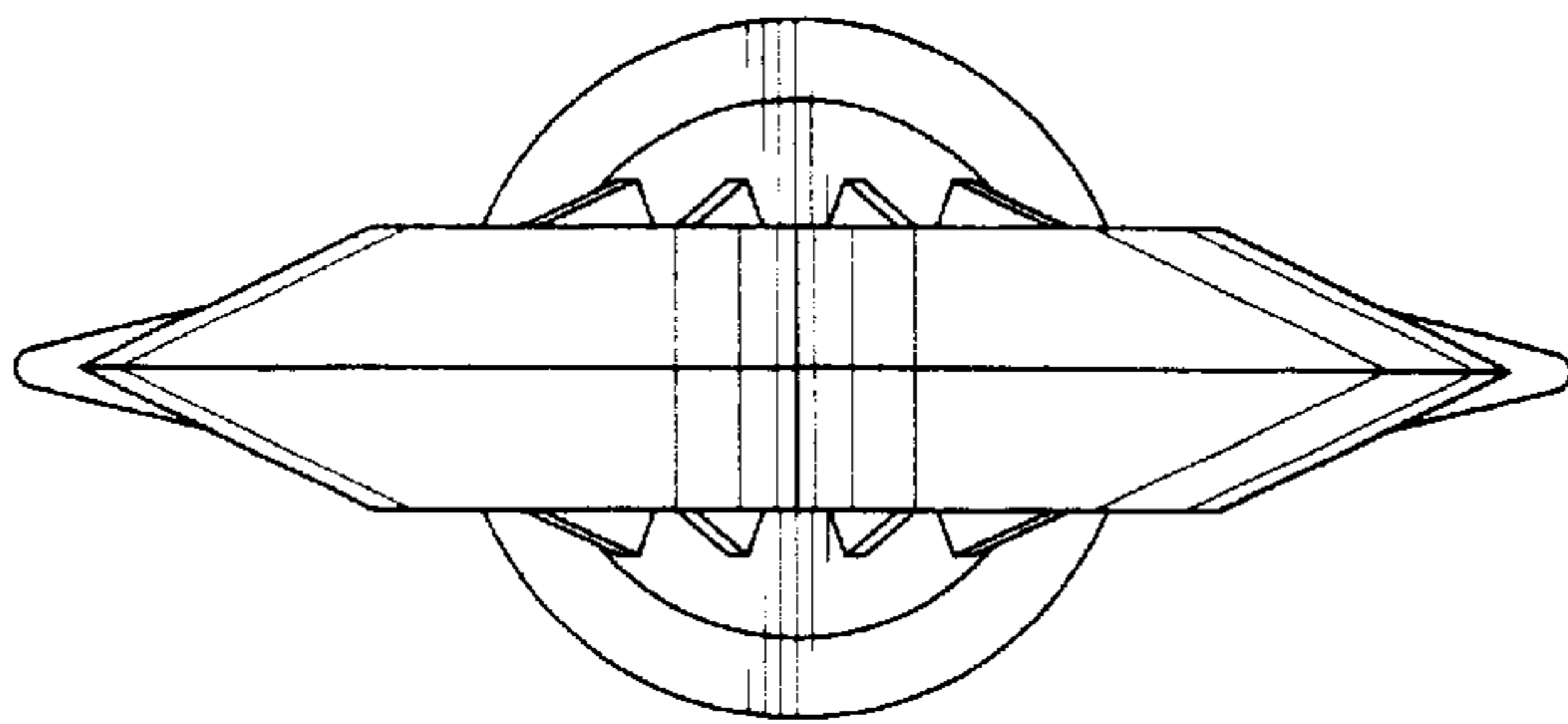


Fig-4



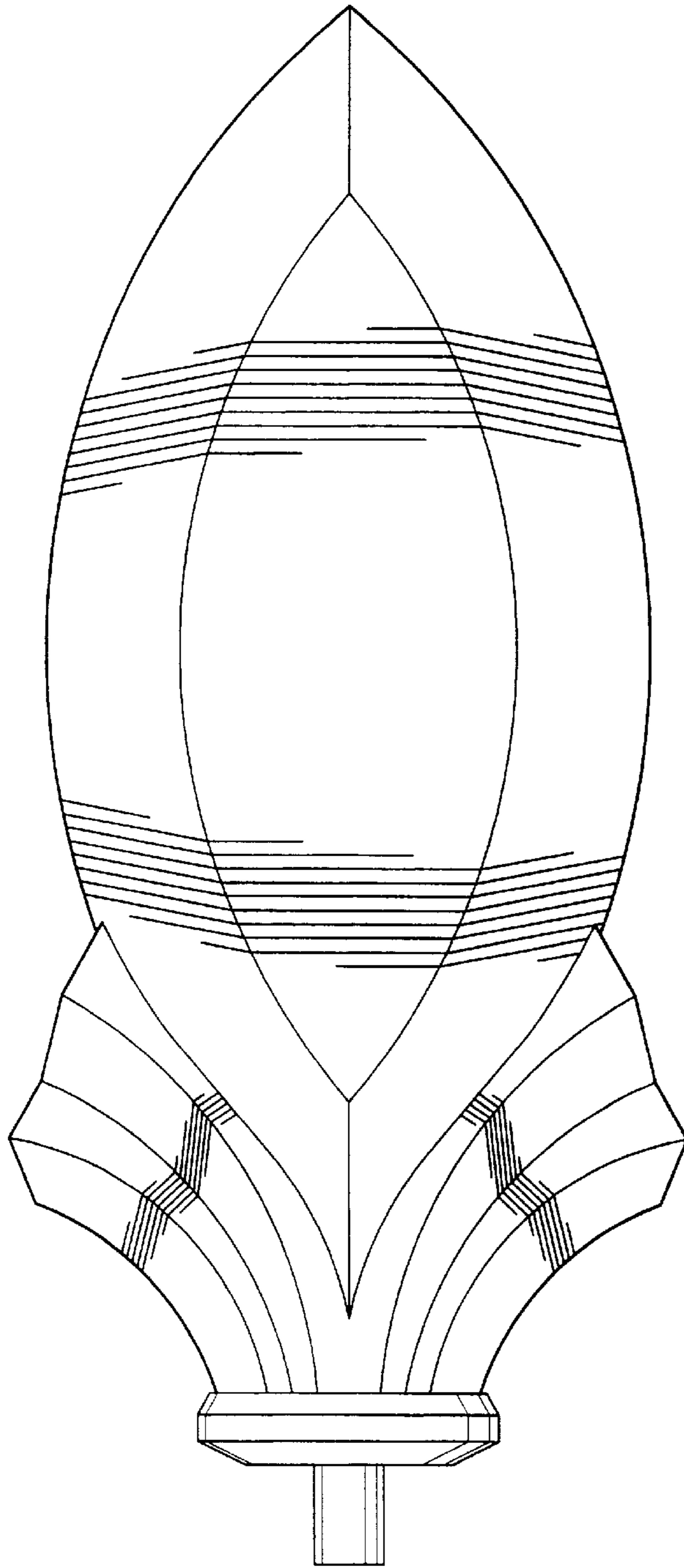


Fig-5

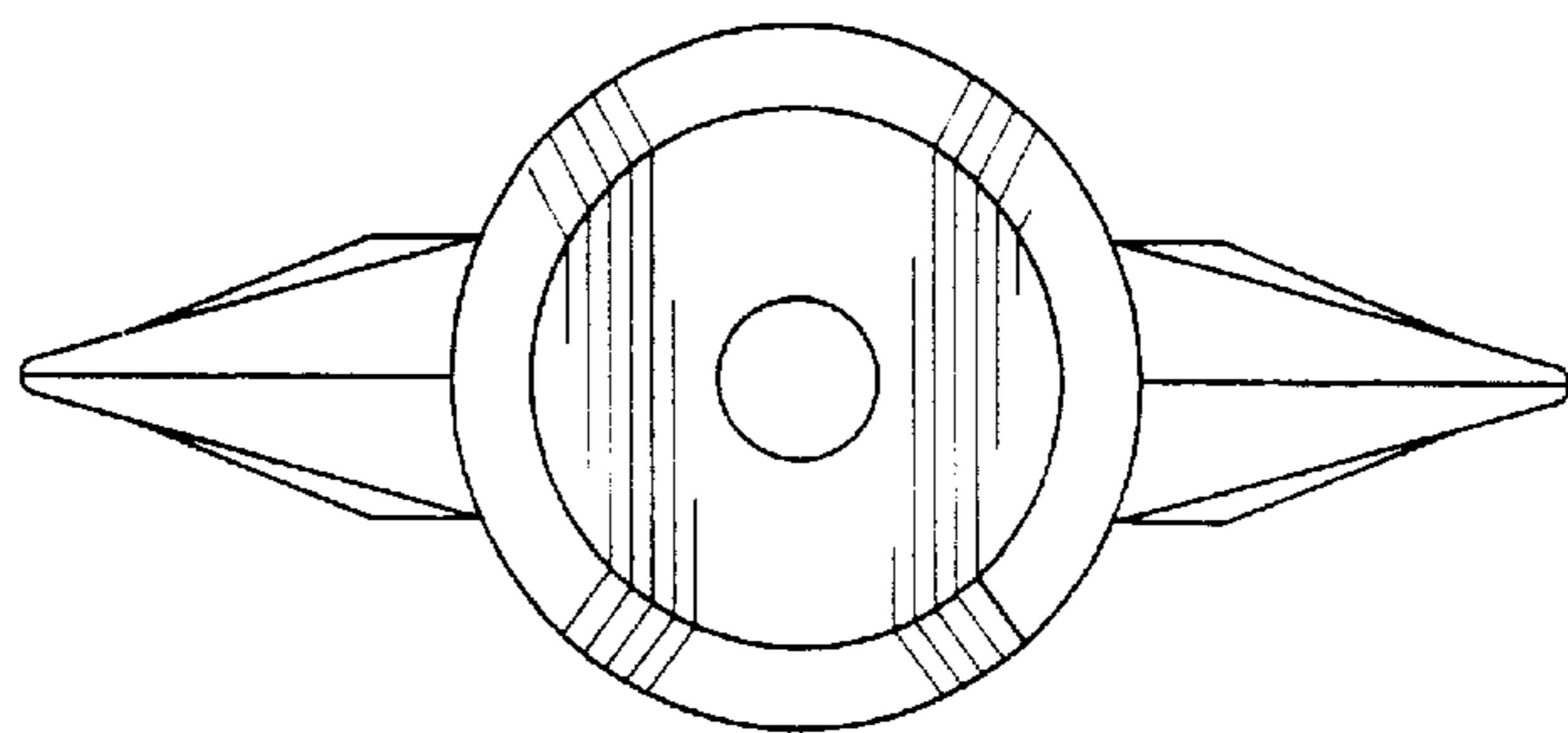


Fig-3