



US00D433923S

United States Patent [19] Hyp

[11] **Patent Number: Des. 433,923**

[45] **Date of Patent: ** Nov. 21, 2000**

[54] **MOUNTING RING**

[75] Inventor: **Eric D. Hyp**, Aspers, Pa.

[73] Assignee: **Southco, Inc.**, Concordville, Pa.

[**] Term: **14 Years**

[21] Appl. No.: **29/106,922**

[22] Filed: **Jun. 23, 1999**

[51] **LOC (7) Cl.** **08-05**

[52] **U.S. Cl.** **D8/363**

[58] **Field of Search** D8/363; D22/110;
248/205.1, 200

[56] **References Cited**

U.S. PATENT DOCUMENTS

- D. 300,803 4/1989 Whitley, II D8/363
- D. 318,607 7/1991 Reid et al. D8/363

Primary Examiner—Holly Baynham
Attorney, Agent, or Firm—Paul & Paul

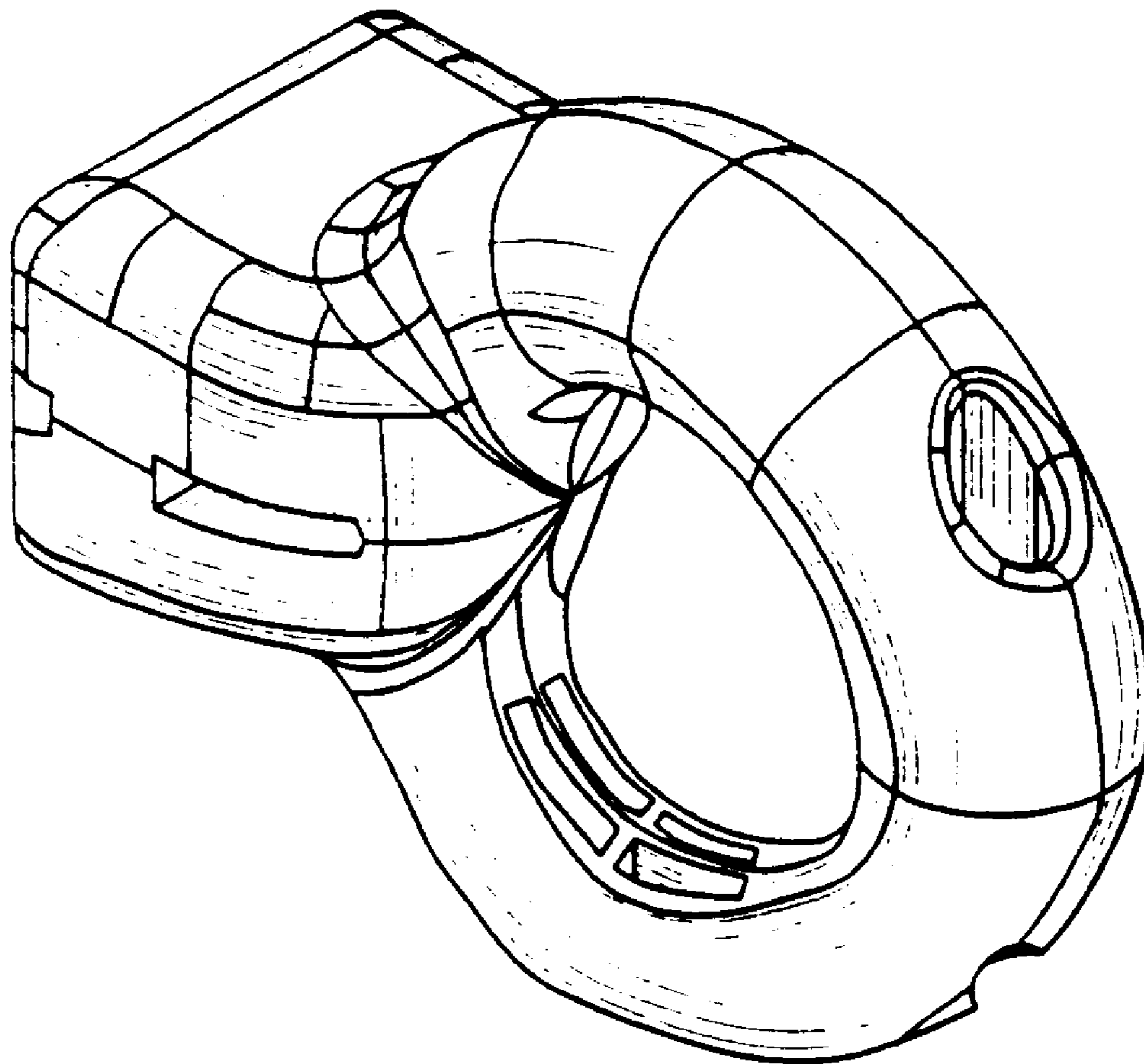
[57] **CLAIM**

The ornamental design for a mounting ring, as shown and described.

DESCRIPTION

FIG. 1 is a perspective view of the mounting ring.
 FIG. 2 is a side elevational view of the mounting ring of FIG. 1, the opposite side elevational view being the mirror image.
 FIG. 3 is a rear elevational view of a mounting ring of FIG. 1.
 FIG. 4 is a front elevational view of the mounting ring of FIG. 1; and,
 FIG. 5 is a top plan view of the mounting ring of FIG. 1, the bottom plan view being the same.

1 Claim, 2 Drawing Sheets



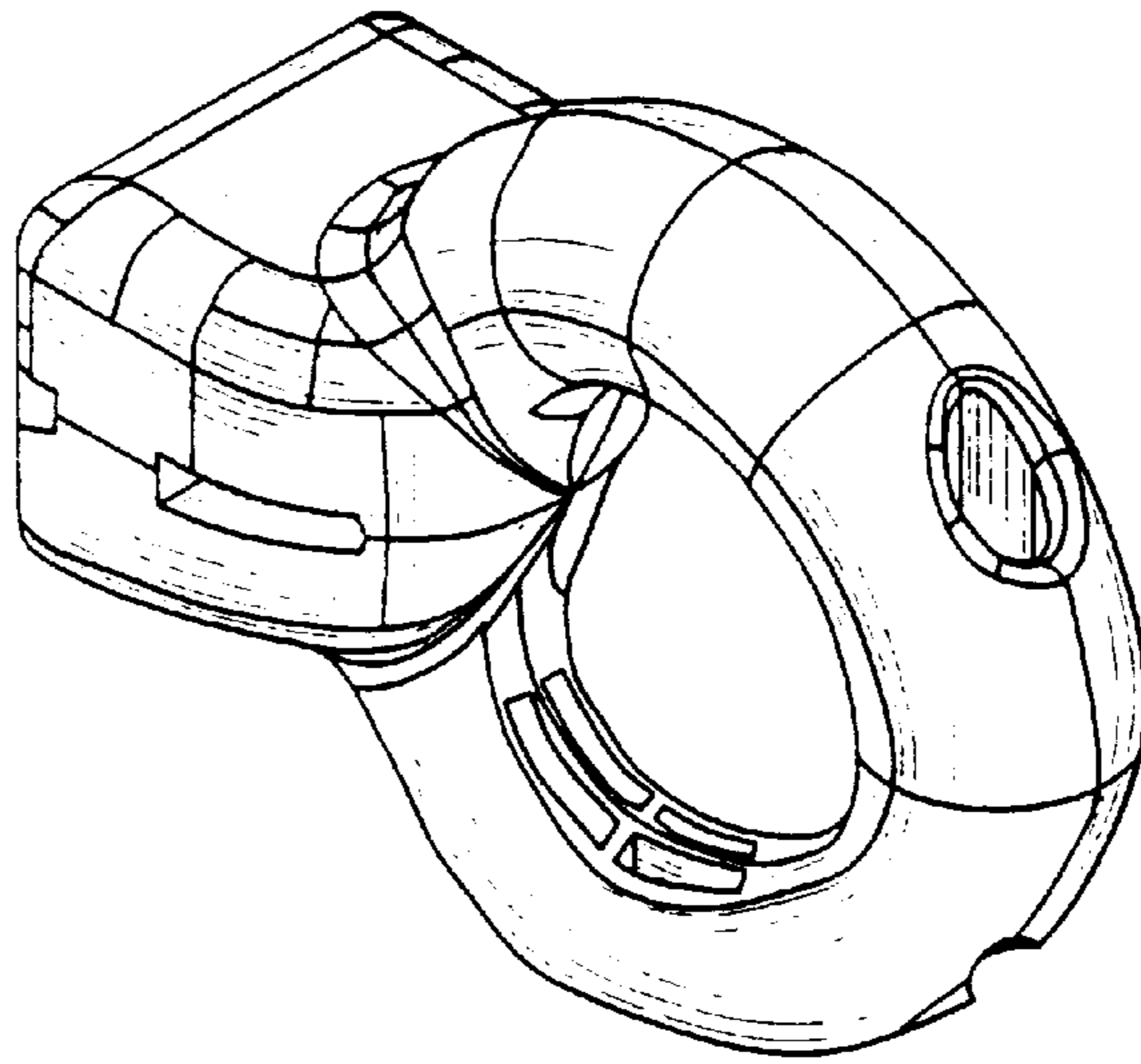


FIG. 1

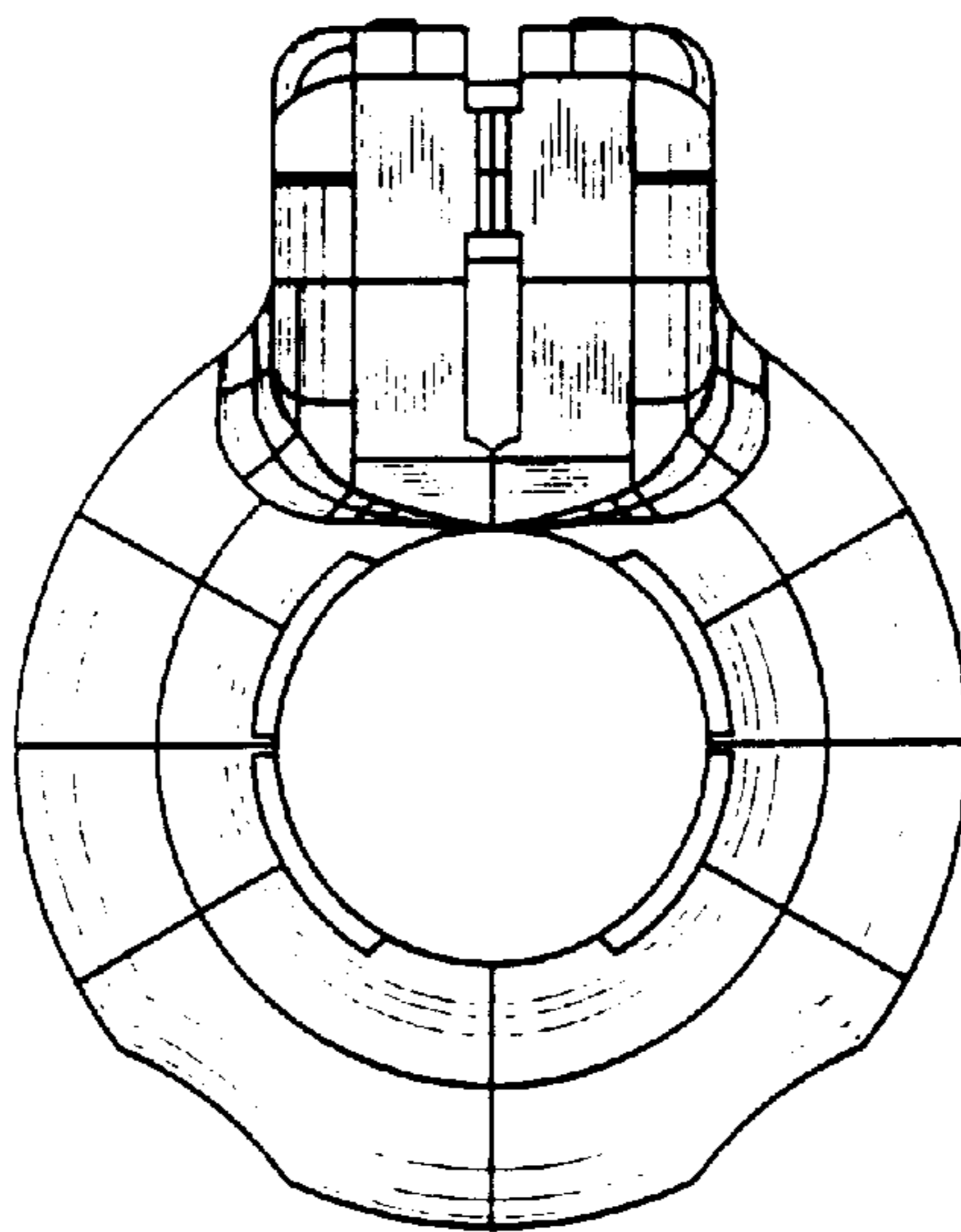


FIG. 2

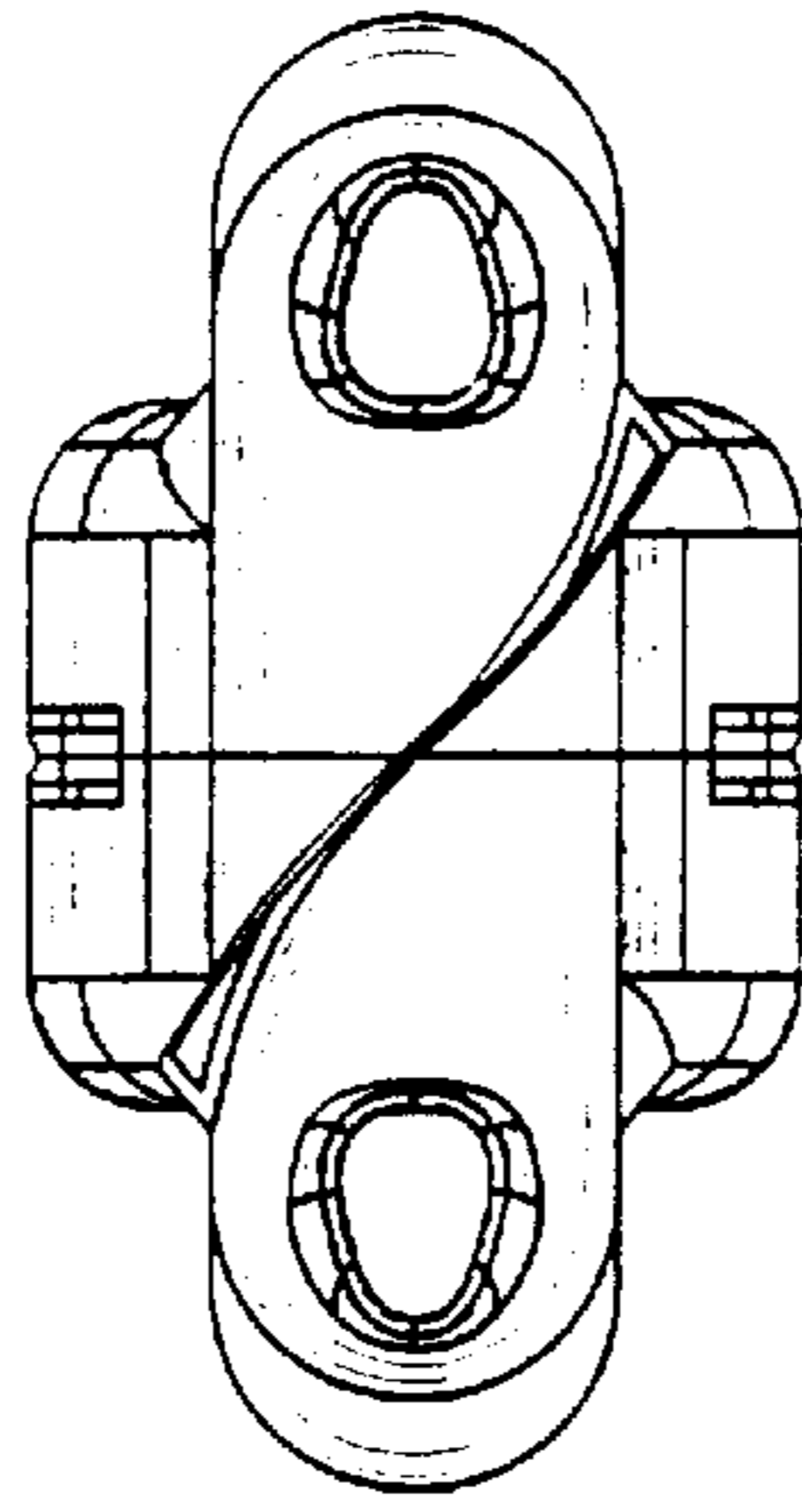


FIG. 3

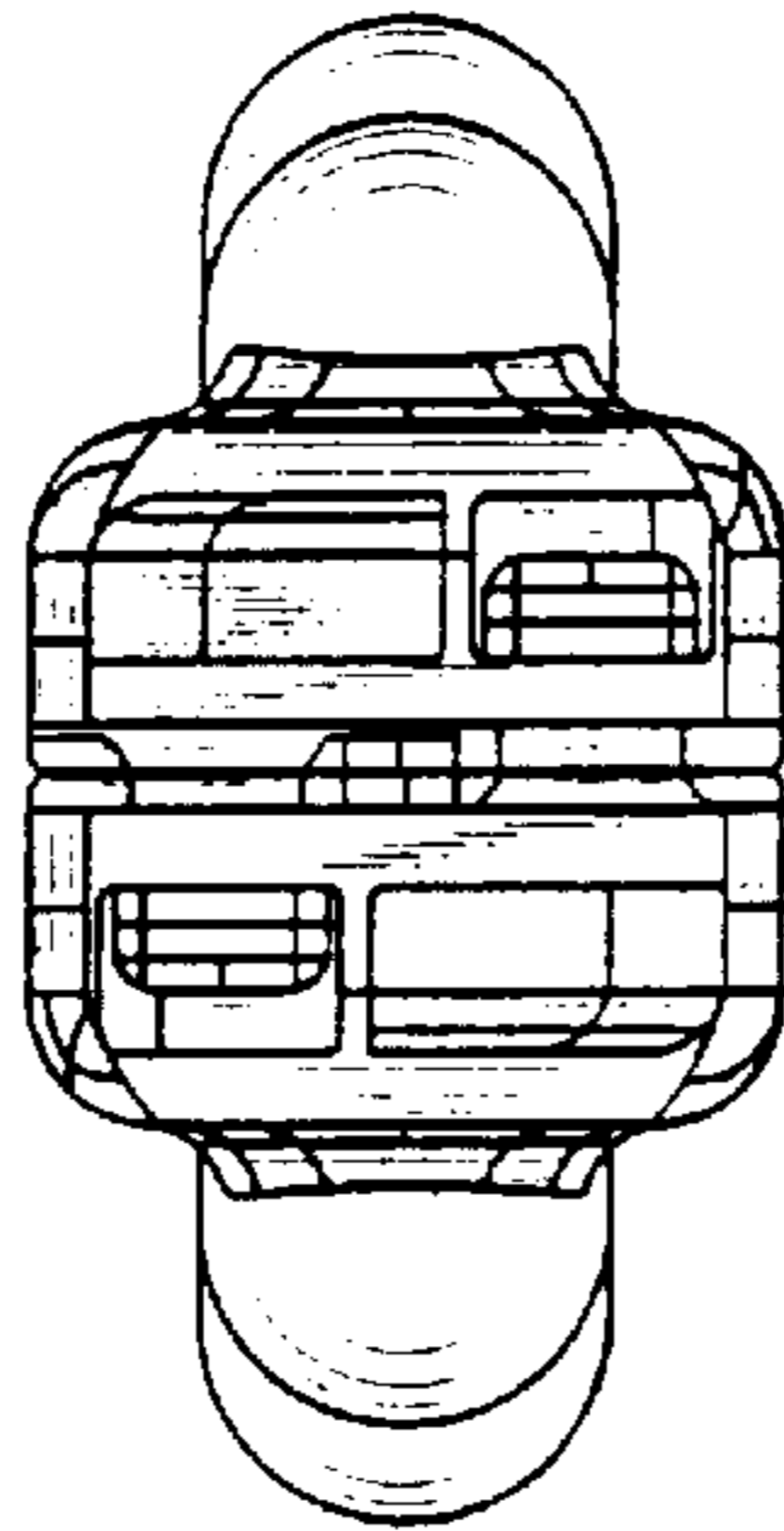


FIG. 4

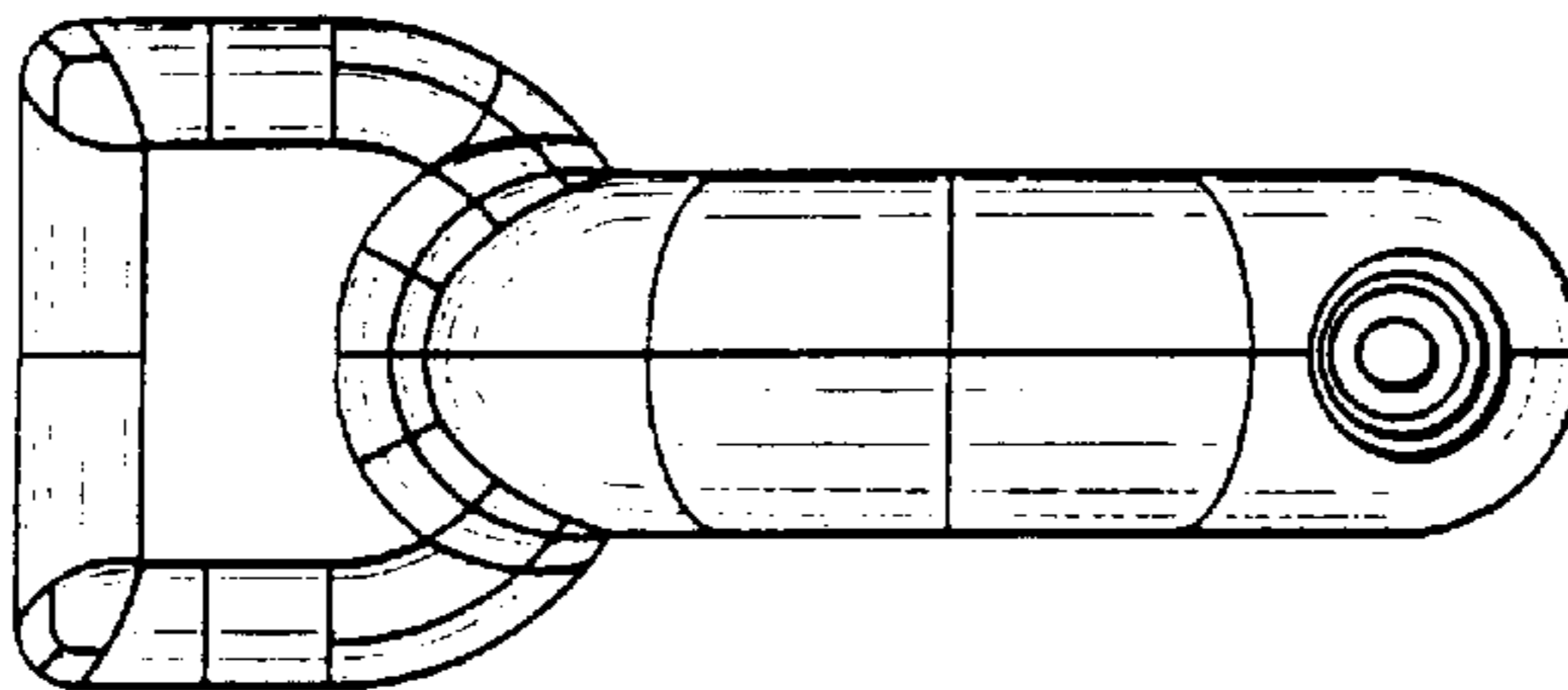


FIG. 5