



US00D433920S

# United States Patent [19] Chang

[11] Patent Number: Des. 433,920

[45] Date of Patent: \*\* Nov. 21, 2000

[54] ELECTRONIC DOOR LOCK

5,658,026 8/1997 Nigro et al. .... 292/336.3  
6,058,746 5/2000 Mirshaflee et al. .... 70/107

[76] Inventor: **Mau-Kun Chang**, No. 7, Lane 176,  
Yeong Shing St., Taichung, Taiwan

[\*\*] Term: **14 Years**

*Primary Examiner*—Susan J. Lucas  
*Assistant Examiner*—Jennifer Rivard  
*Attorney, Agent, or Firm*—W. Wayne Liauh

[21] Appl. No.: **29/117,807**

[57] **CLAIM**

[22] Filed: **Jan. 26, 2000**

The ornamental design for an electronic door lock, as shown.

[51] LOC (7) Cl. .... **08-07**

**DESCRIPTION**

[52] U.S. Cl. .... **D8/331**

[58] Field of Search ..... D8/330, 331, 336,  
D8/338, 339, 341, 302; 70/277, 128, 124,  
107; 292/336.3

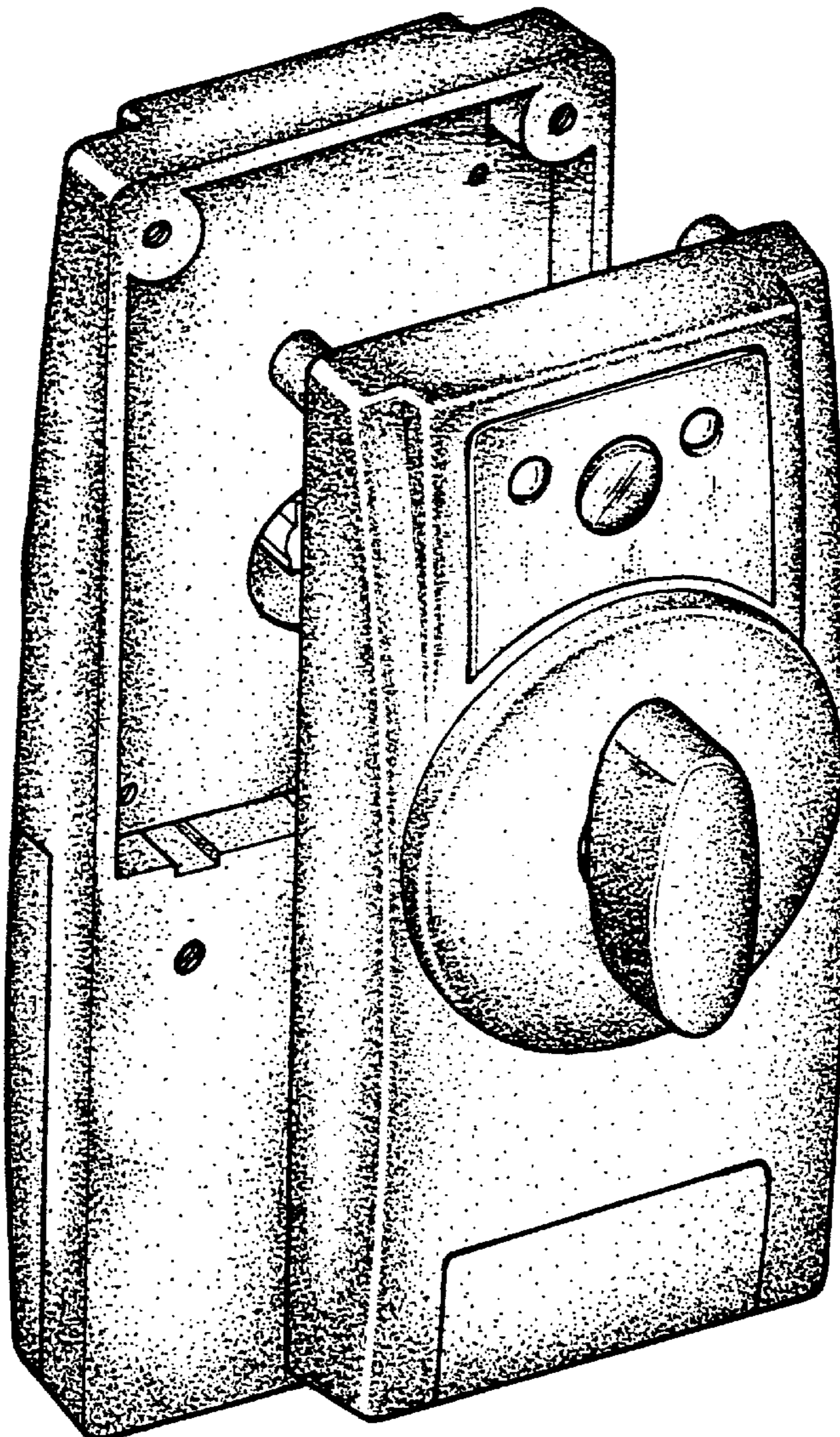
FIG. 1: is a front perspective view of the present design.  
FIG. 2: is a front elevational view of the present design.  
FIG. 3: is a rear elevational view of the present design.  
FIG. 4: is a left elevational view of the present design.  
FIG. 5: is a right elevational view of the present design.  
FIG. 6: is a top plan view of the present design.  
FIG. 7: is a bottom plan view of the present design; and,  
FIG. 8: is a rear perspective view of the present design.

[56] **References Cited**

**U.S. PATENT DOCUMENTS**

D. 346,320 4/1994 Fitzpatrick ..... D8/331 X  
D. 366,822 2/1996 Brooks et al. .... D8/330  
4,183,563 1/1980 Stevens ..... 70/107

**1 Claim, 8 Drawing Sheets**





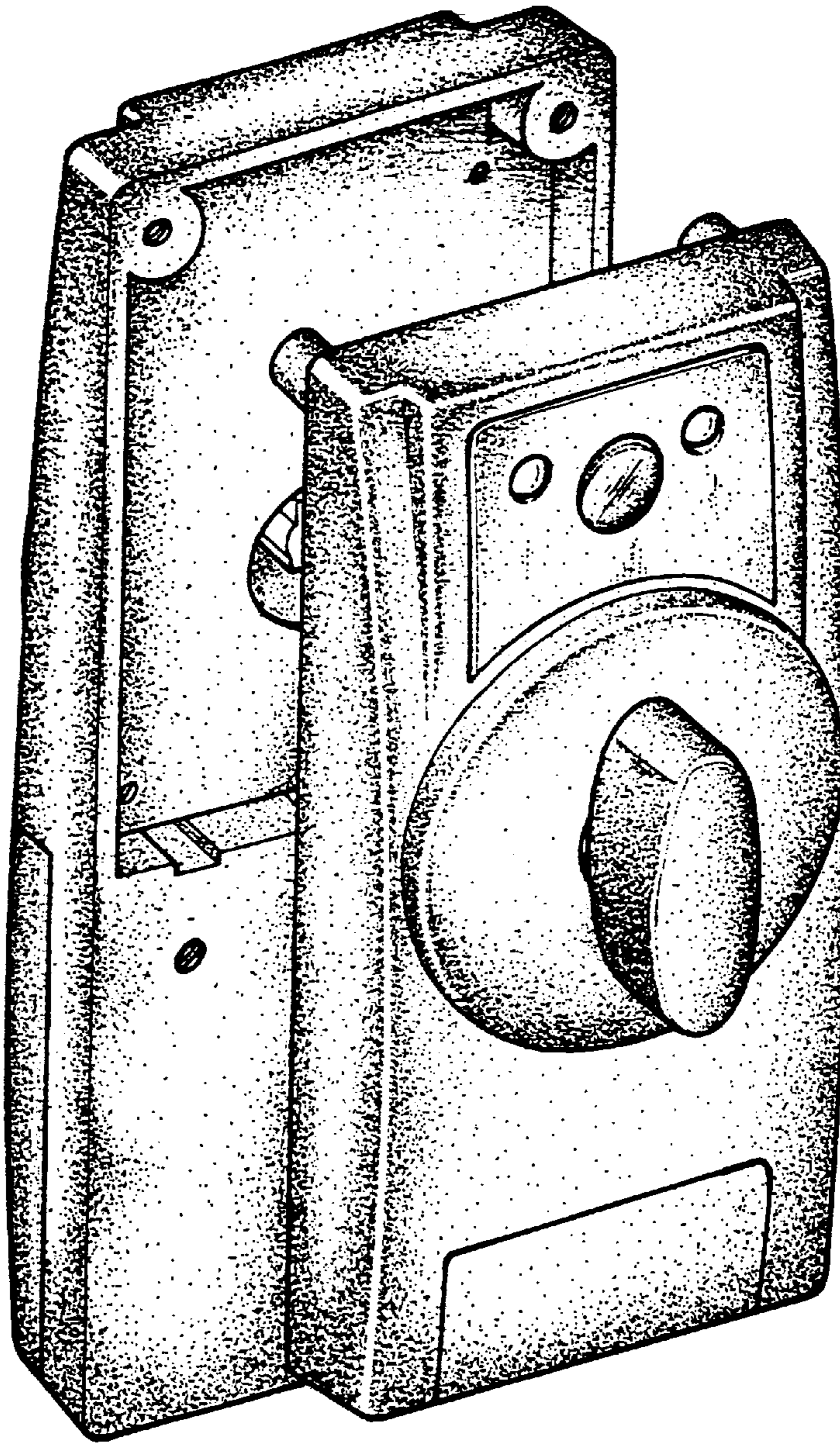


FIG. 1

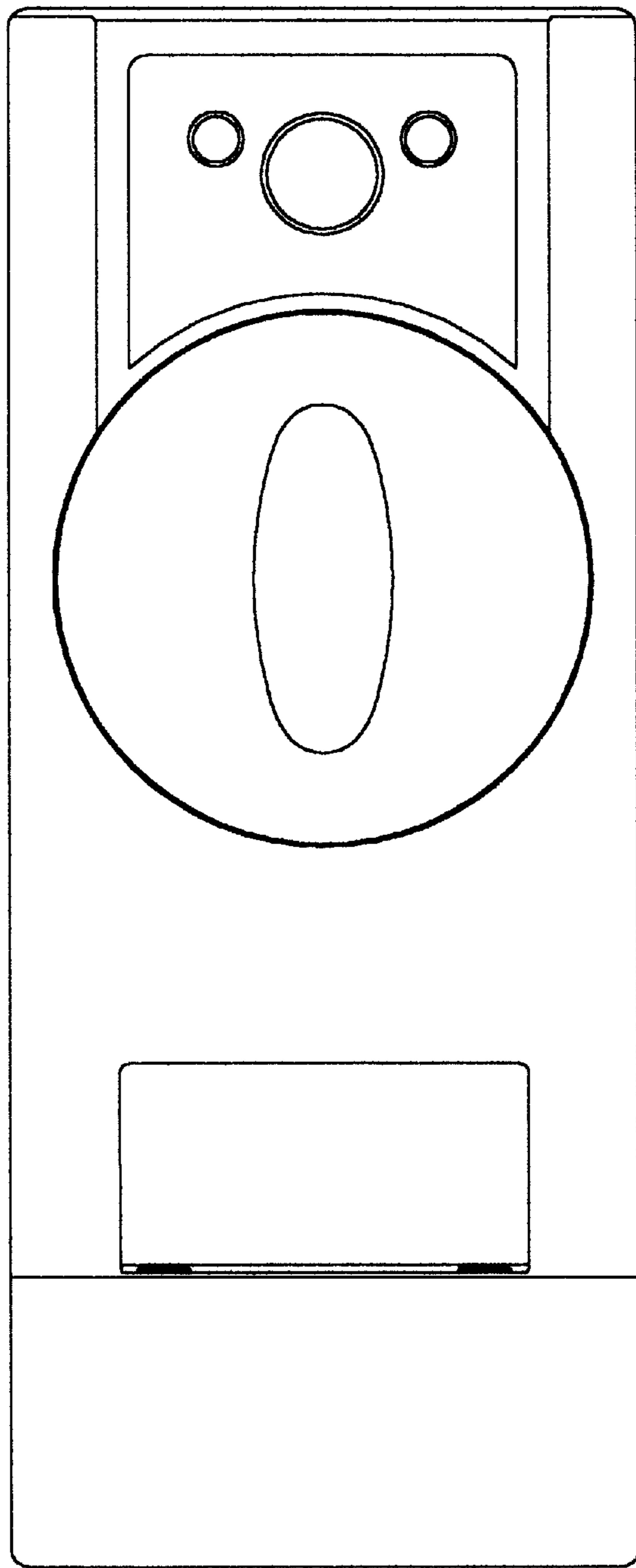


FIG. 2

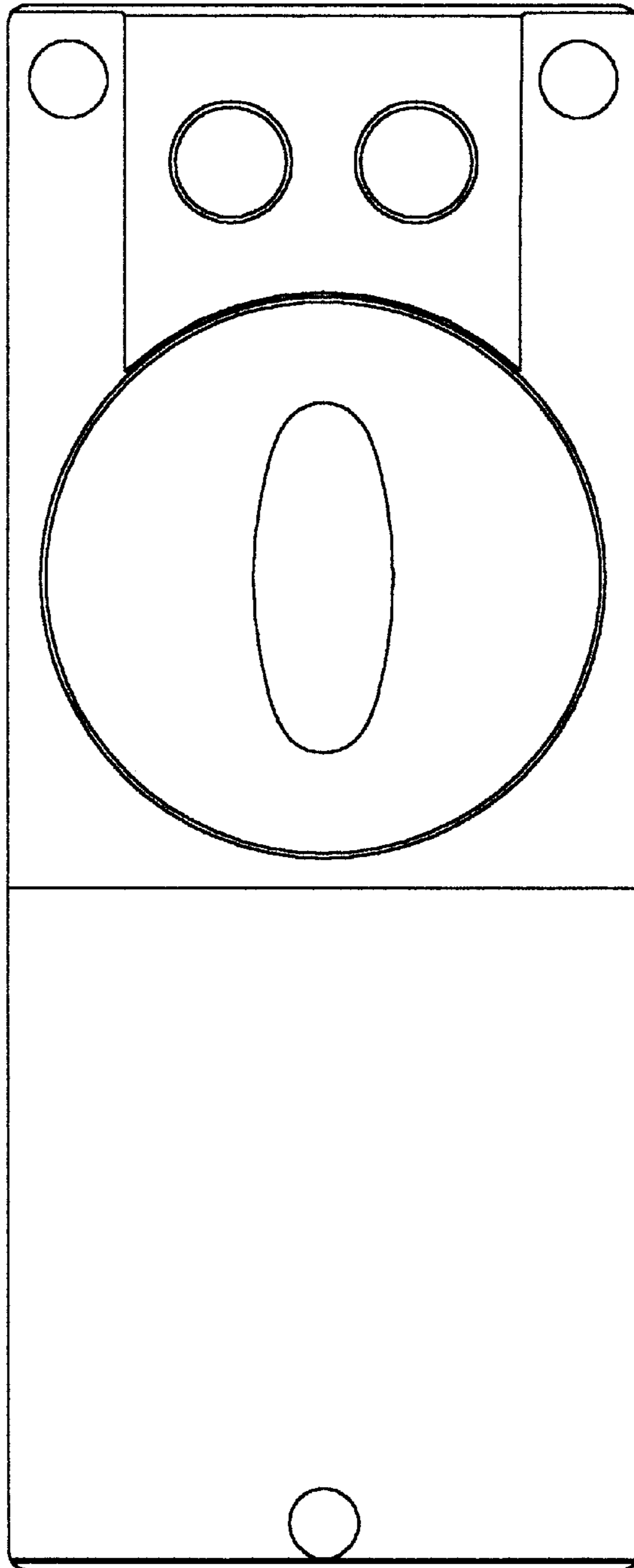


FIG. 3

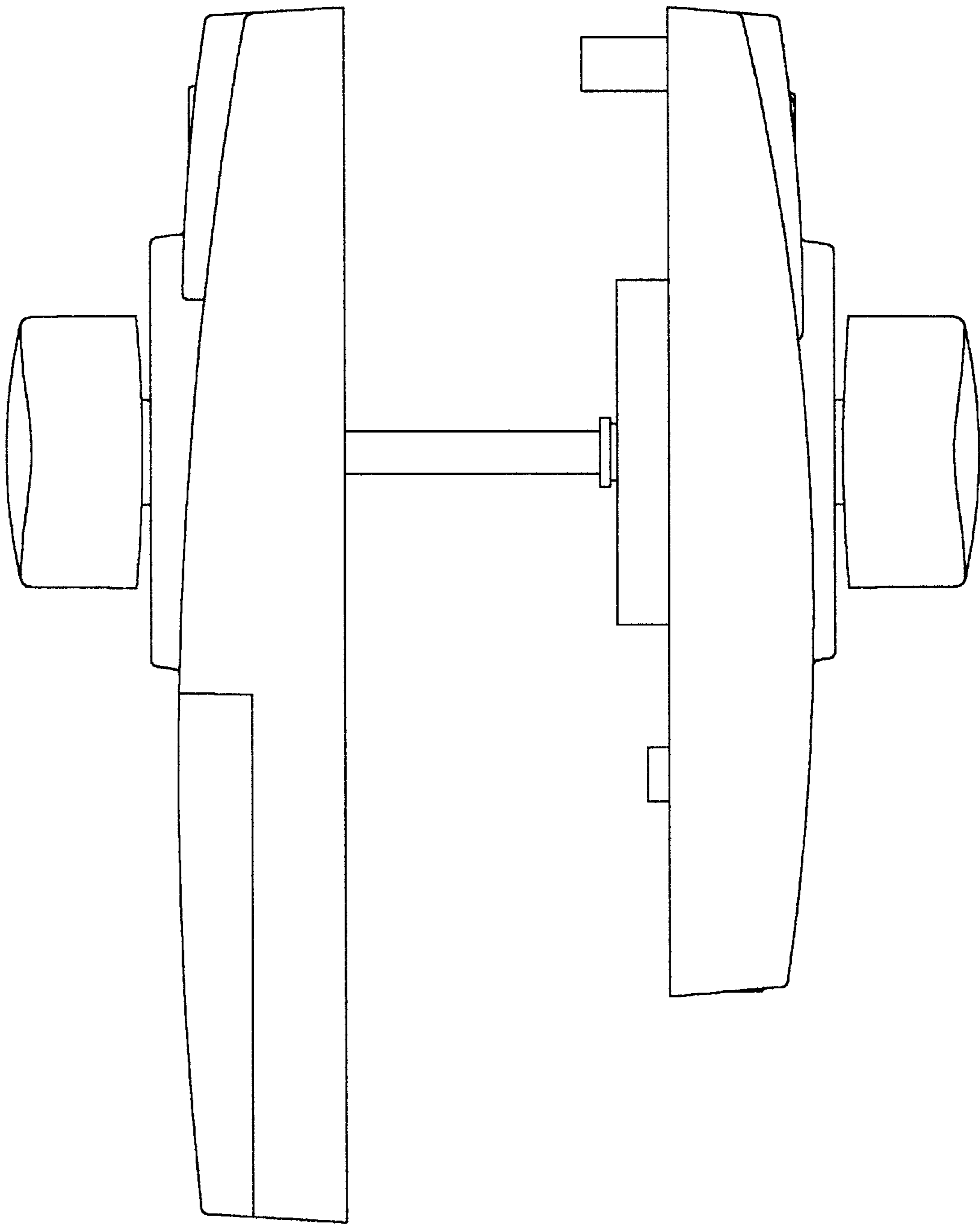


FIG. 4

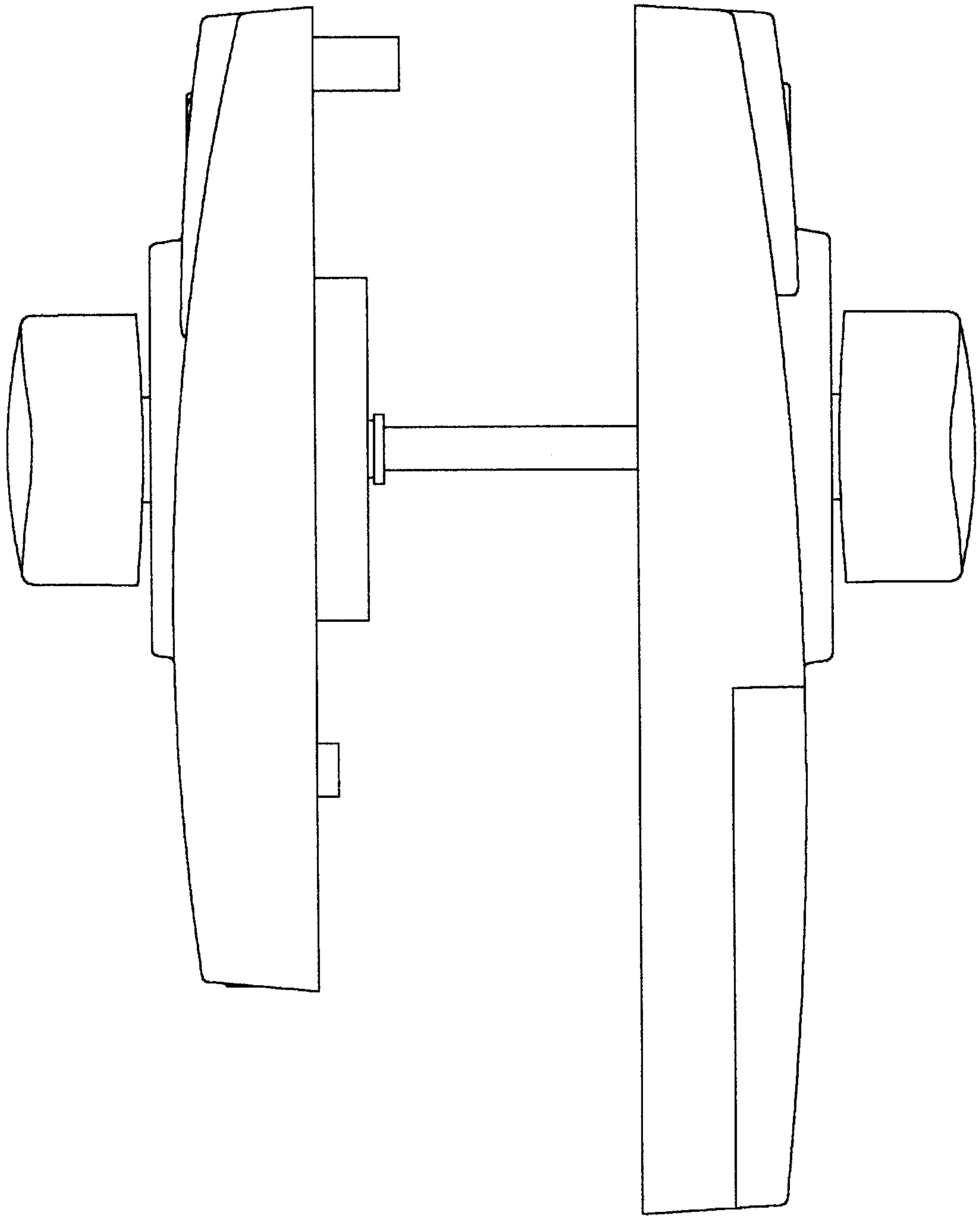


FIG. 5

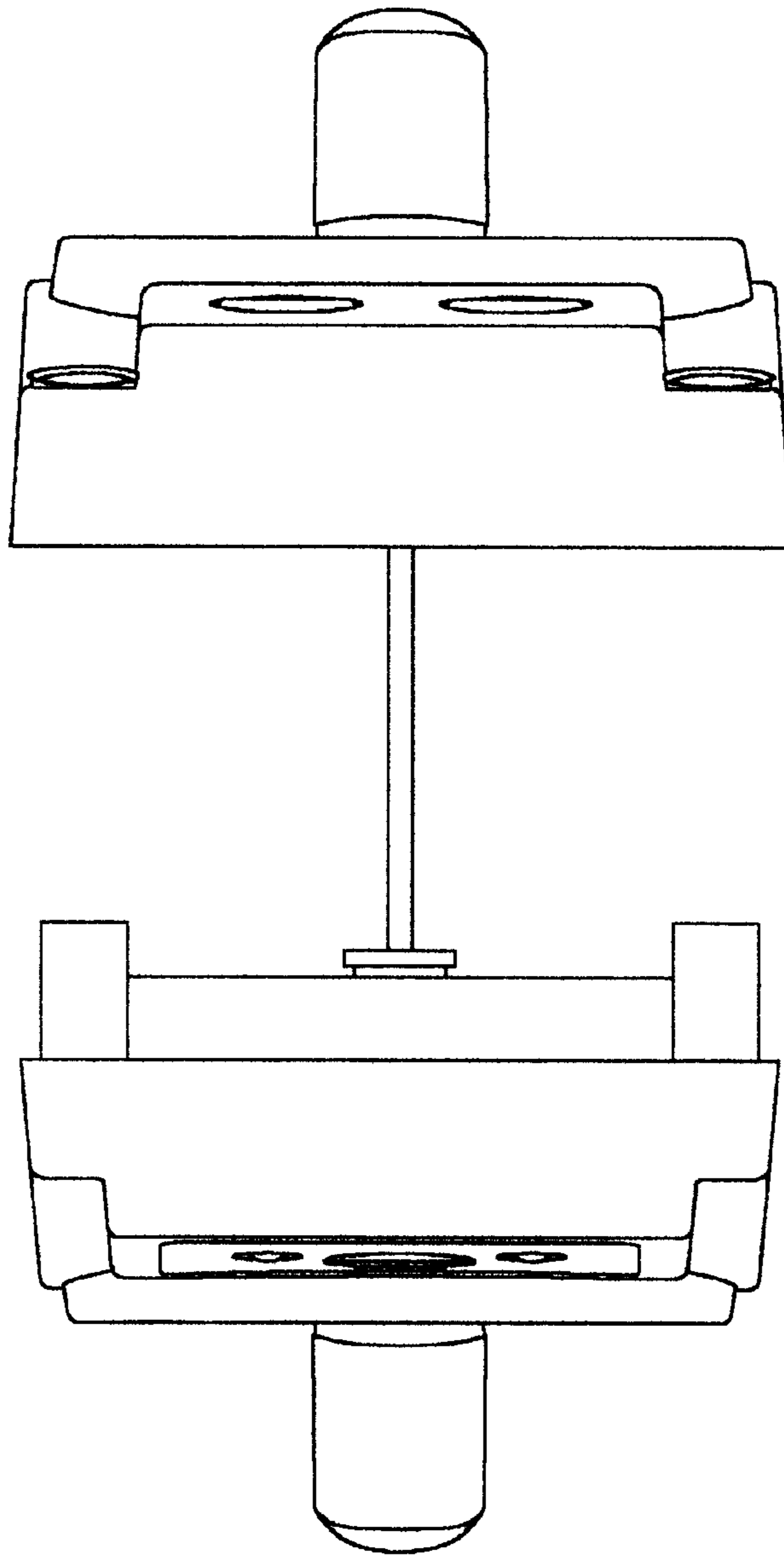


FIG. 6

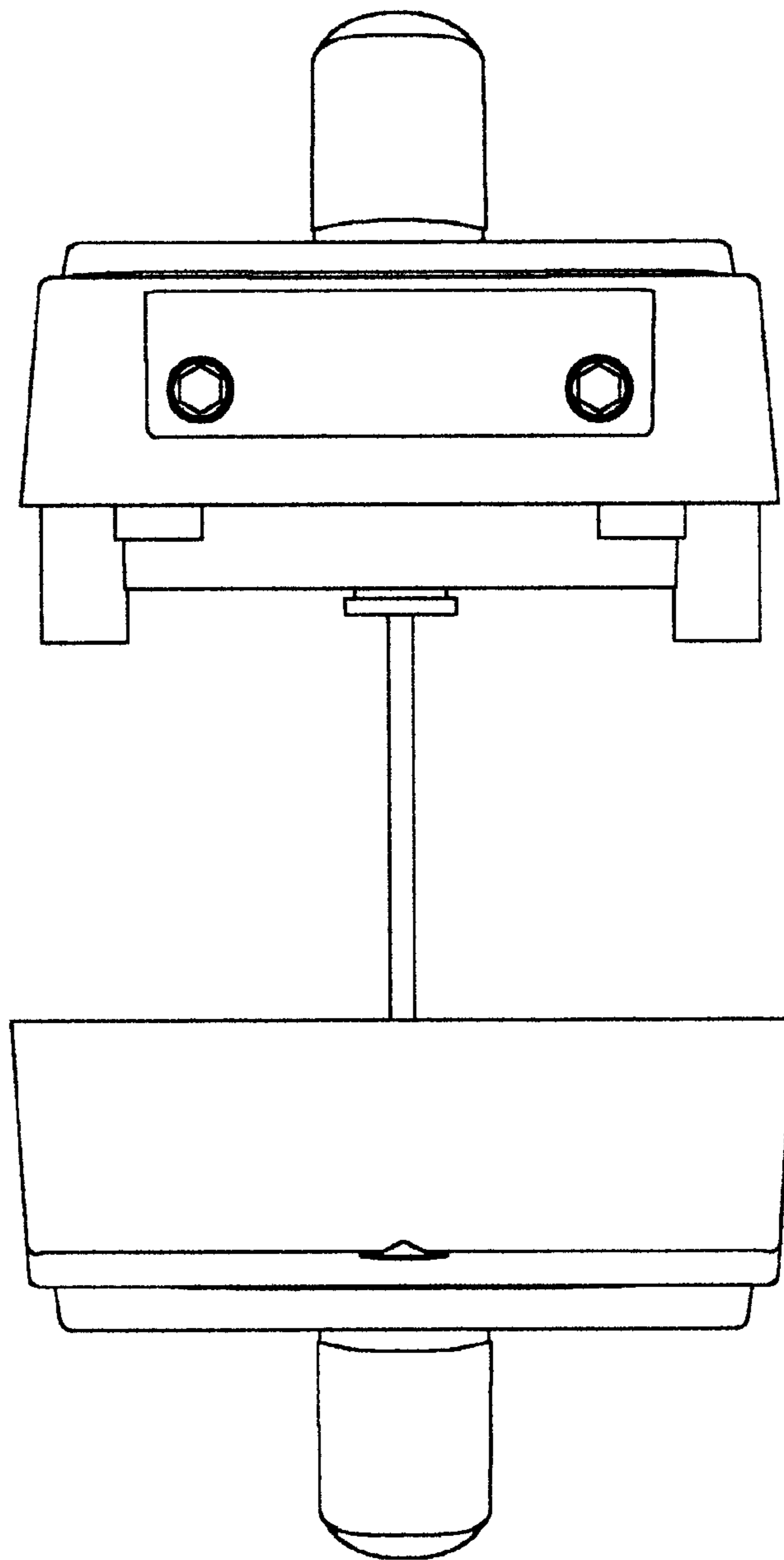


FIG. 7



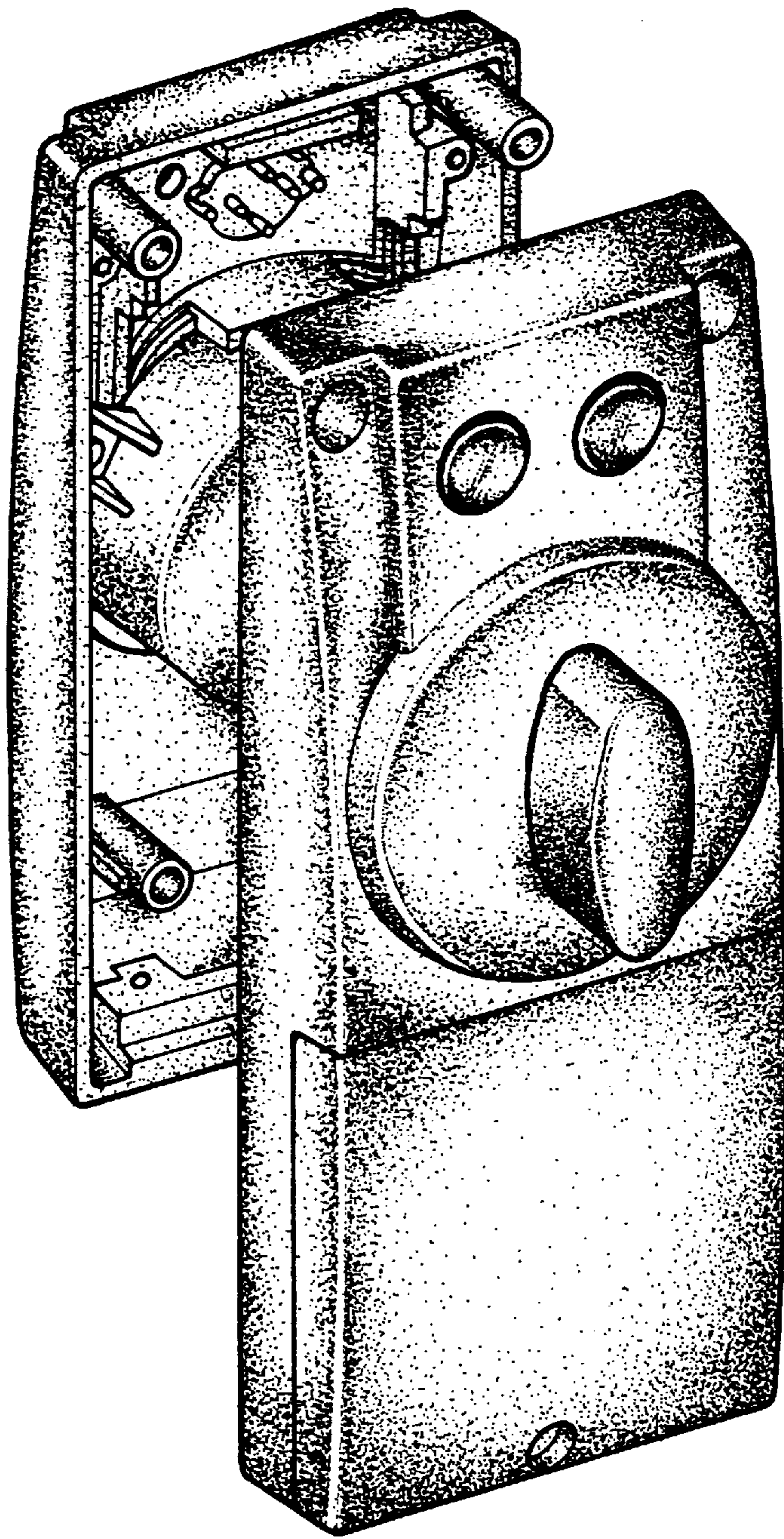


FIG. 8