



US00D433919S

United States Patent [19] Gisiger

[11] **Patent Number: Des. 433,919**

[45] **Date of Patent: ** Nov. 21, 2000**

[54] **LOCK BODY**

D. 370,619 6/1996 Hall et al. D8/338

[76] Inventor: **Urs Gisiger**, Schulhausstrasse 19,
Ch-2545 Selzach, Switzerland

Primary Examiner—Alan P. Douglas
Assistant Examiner—Jennifer Rivard
Attorney, Agent, or Firm—Myron Amer PC

[**] Term: **14 Years**

[57] **CLAIM**

[21] Appl. No.: **29/106,252**

The ornamental design for lock body, as shown and described.

[22] Filed: **Jun. 14, 1999**

[51] **LOC (7) Cl.** **08-07**

[52] **U.S. Cl.** **D8/331**

[58] **Field of Search** D8/330, 331, 338;
70/63, 69; 292/256.5, 336.3, 87

DESCRIPTION

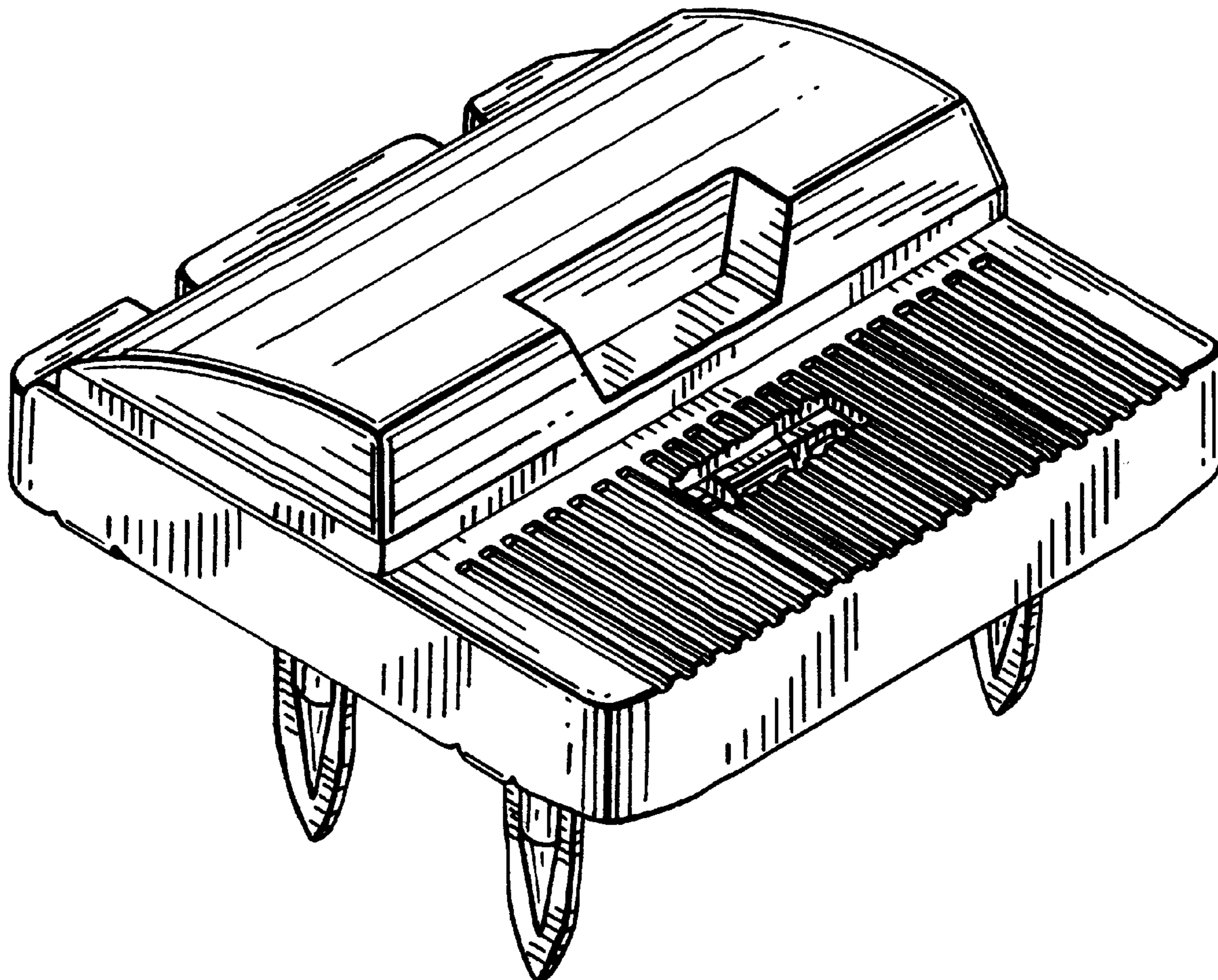
FIG. 1 is a top, front and left side elevation view of lock body showing my new design;
FIG. 2 is a top plan view thereof;
FIG. 3 is a front view thereof;
FIG. 4 is a right side view thereof; of which the left side view is a mirror image;
FIG. 5 is a rear view thereof; and,
FIG. 6 is a bottom plan view thereof.

[56] **References Cited**

U.S. PATENT DOCUMENTS

D. 288,931	3/1987	Gisiger	D8/330
D. 332,907	2/1993	Gisiger	D8/331
D. 361,499	8/1995	Gisiger	D8/331

1 Claim, 2 Drawing Sheets



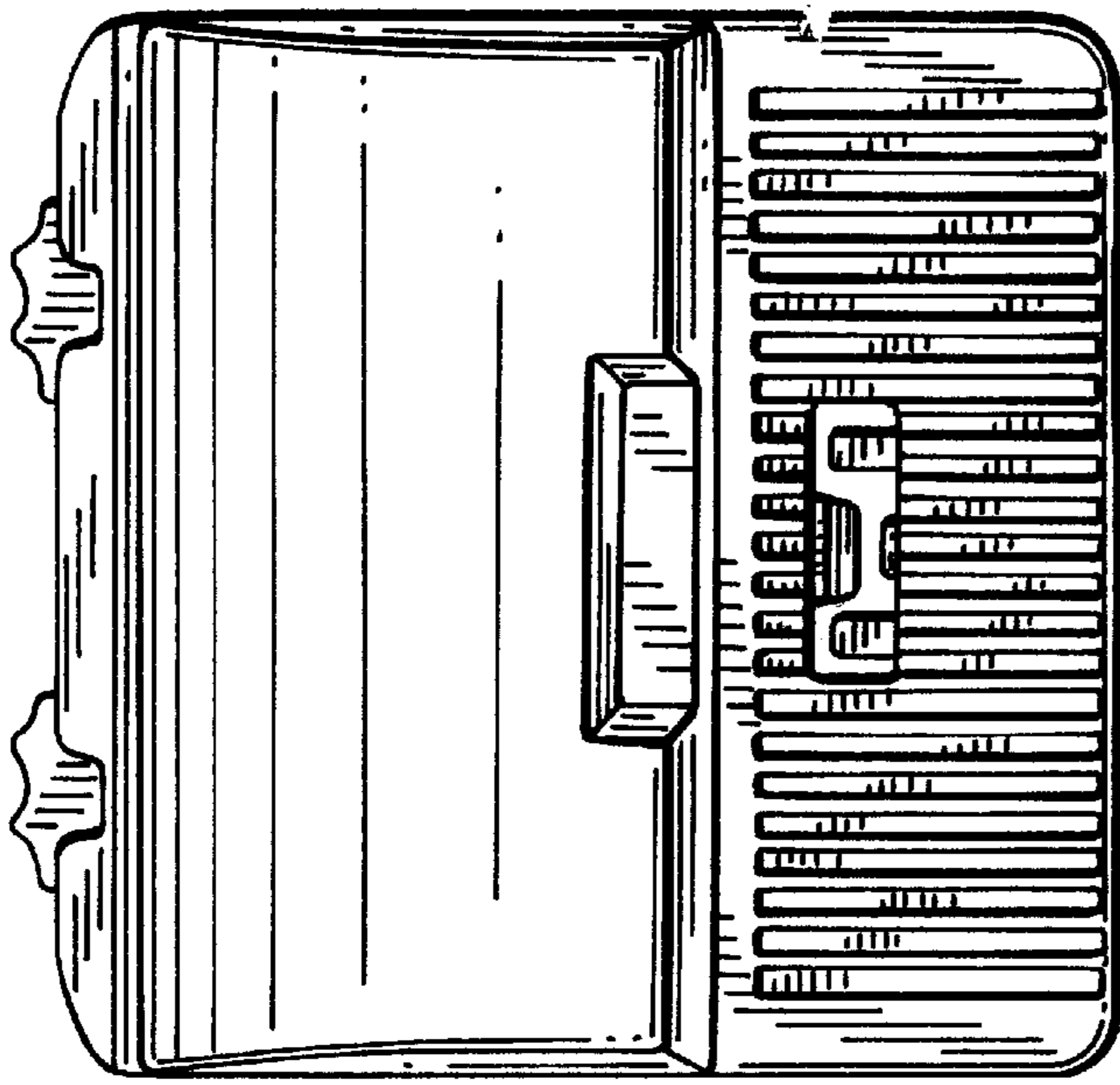


FIG. 2

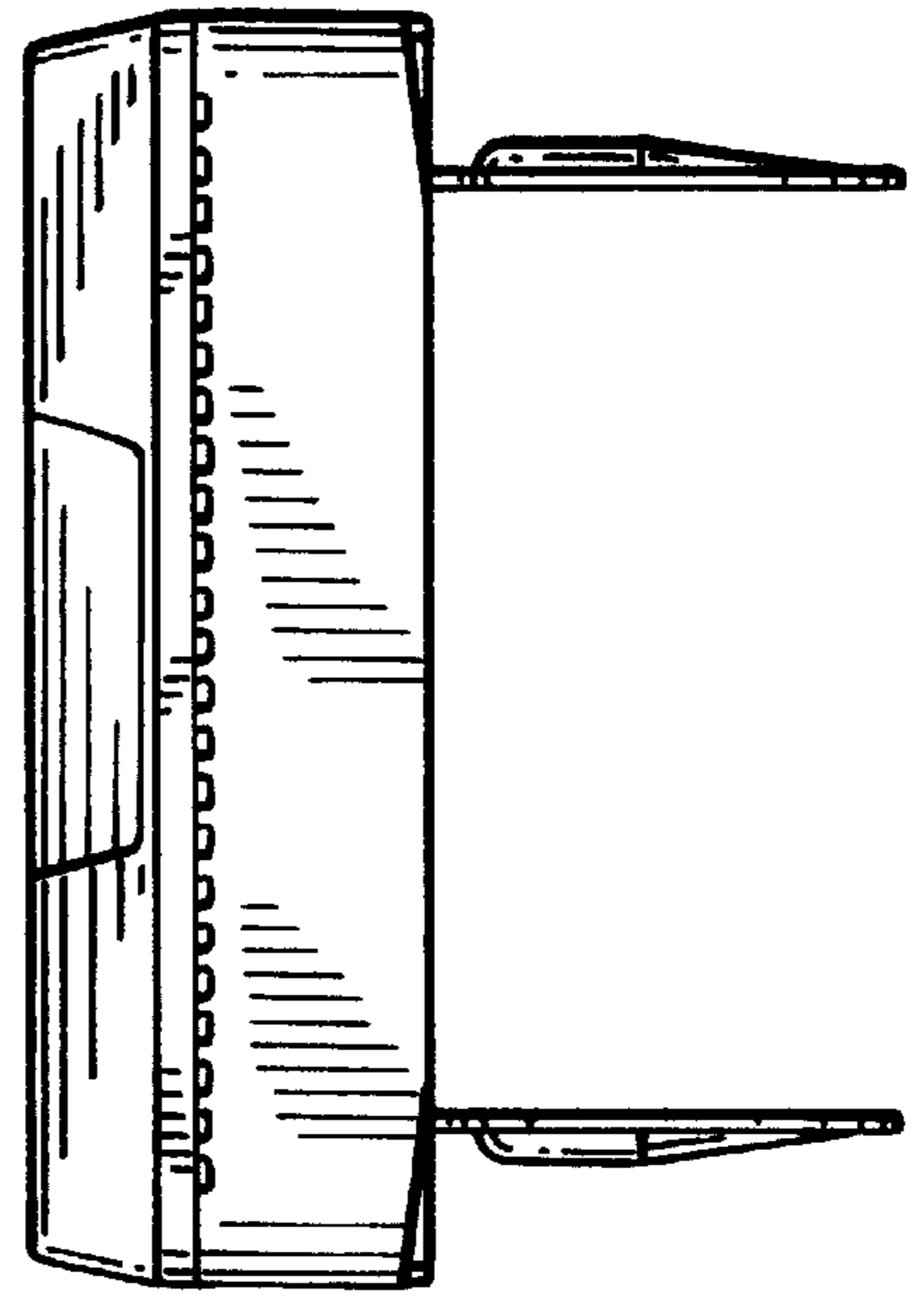


FIG. 3

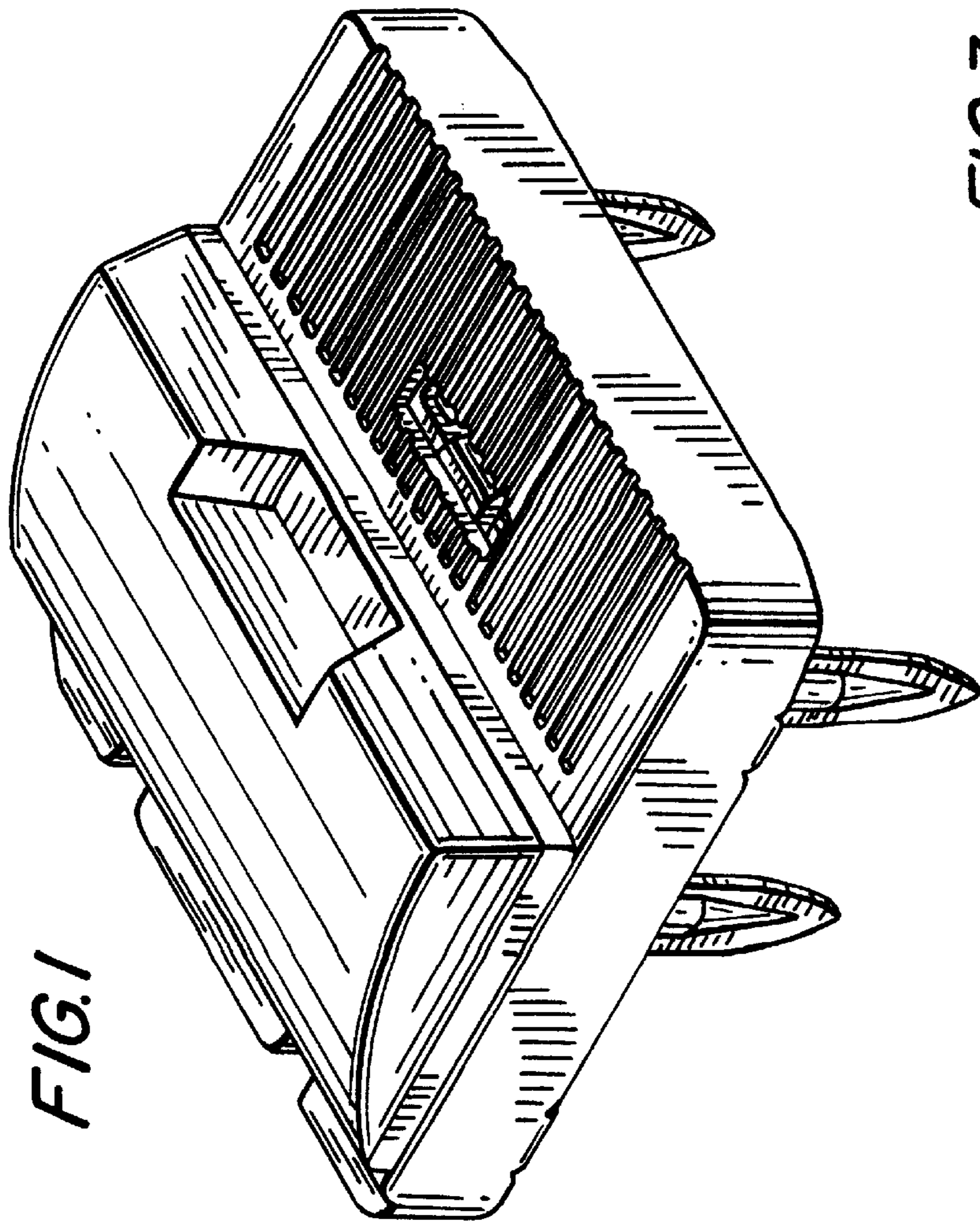


FIG. 1

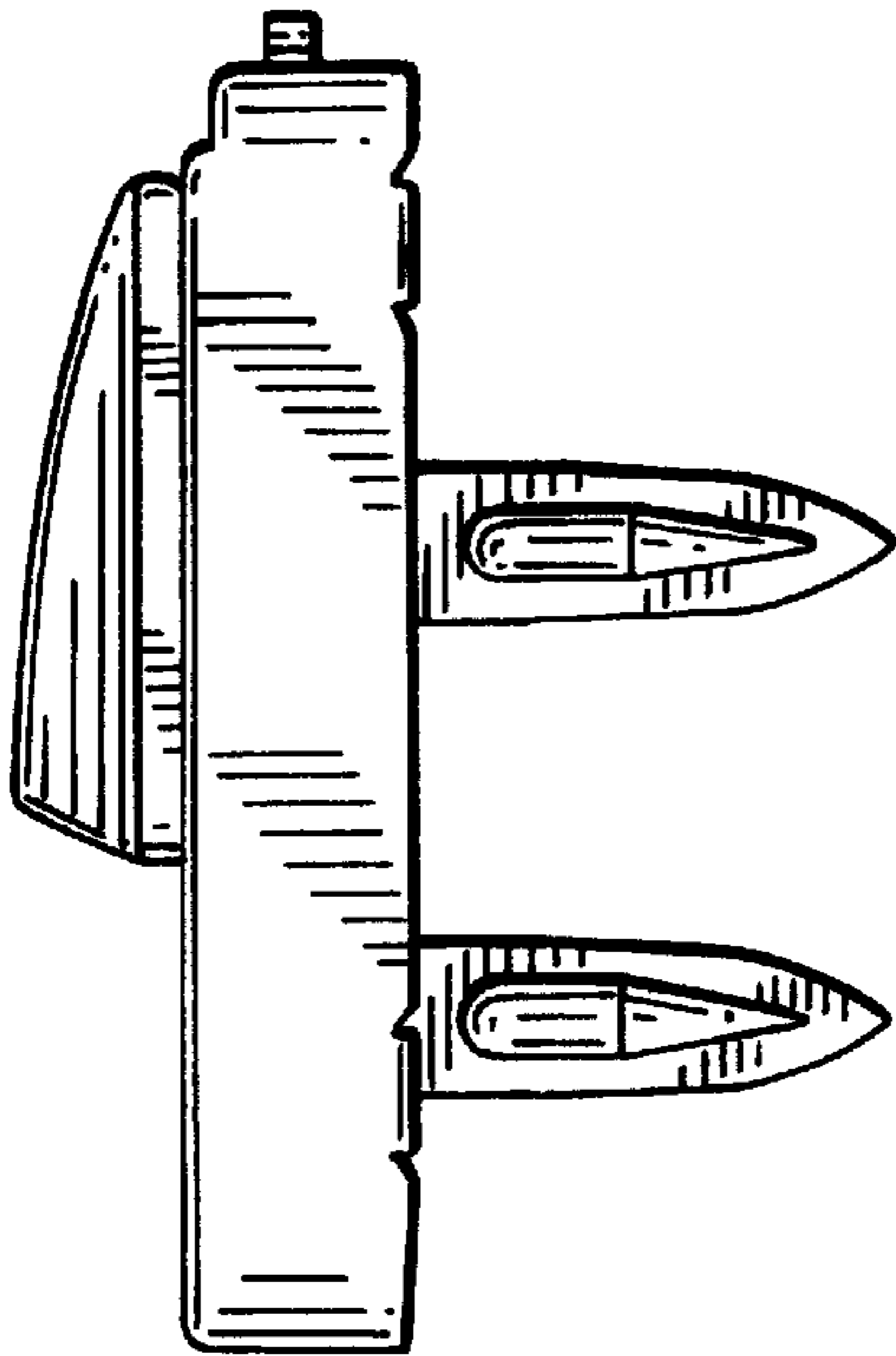
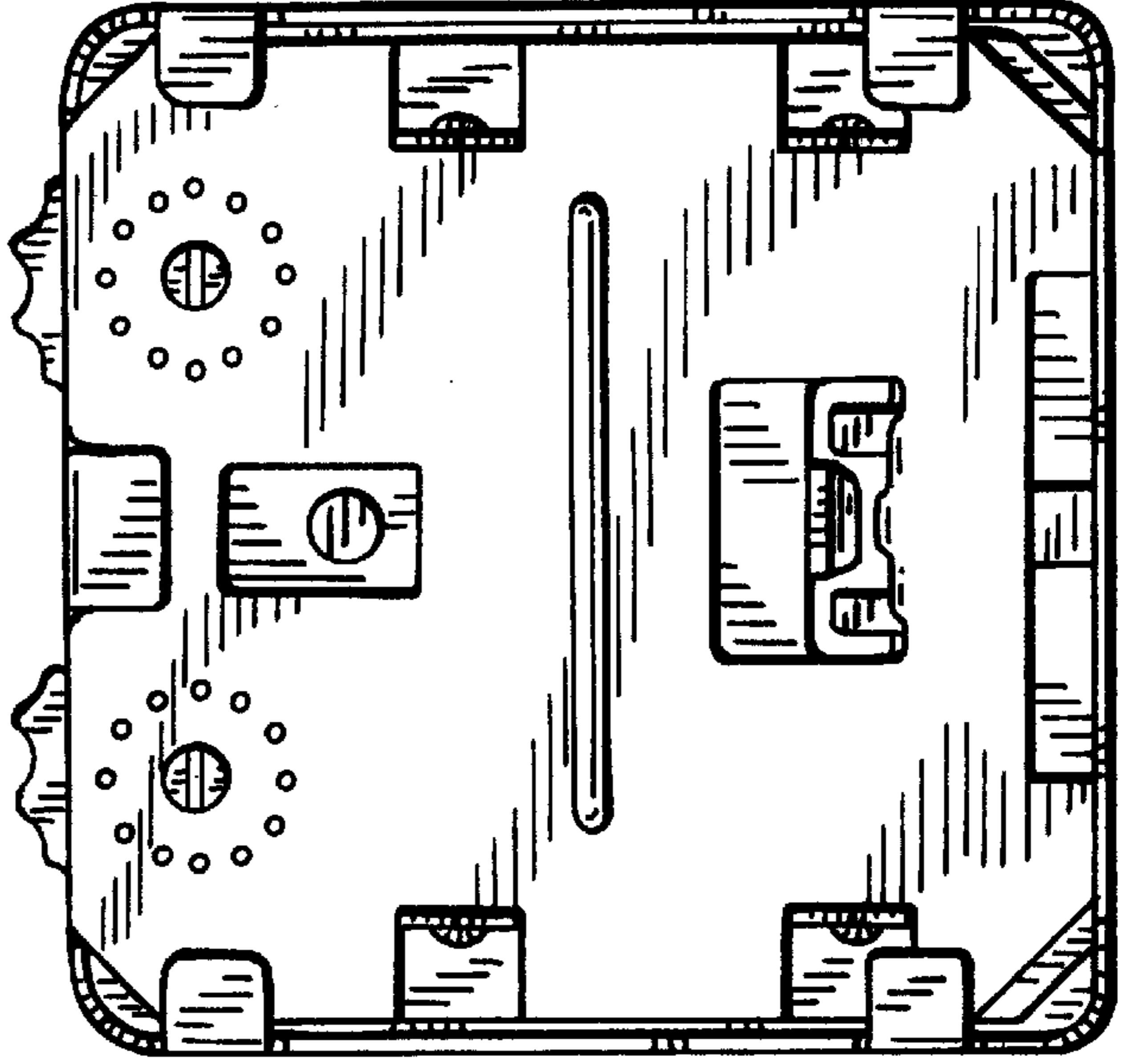
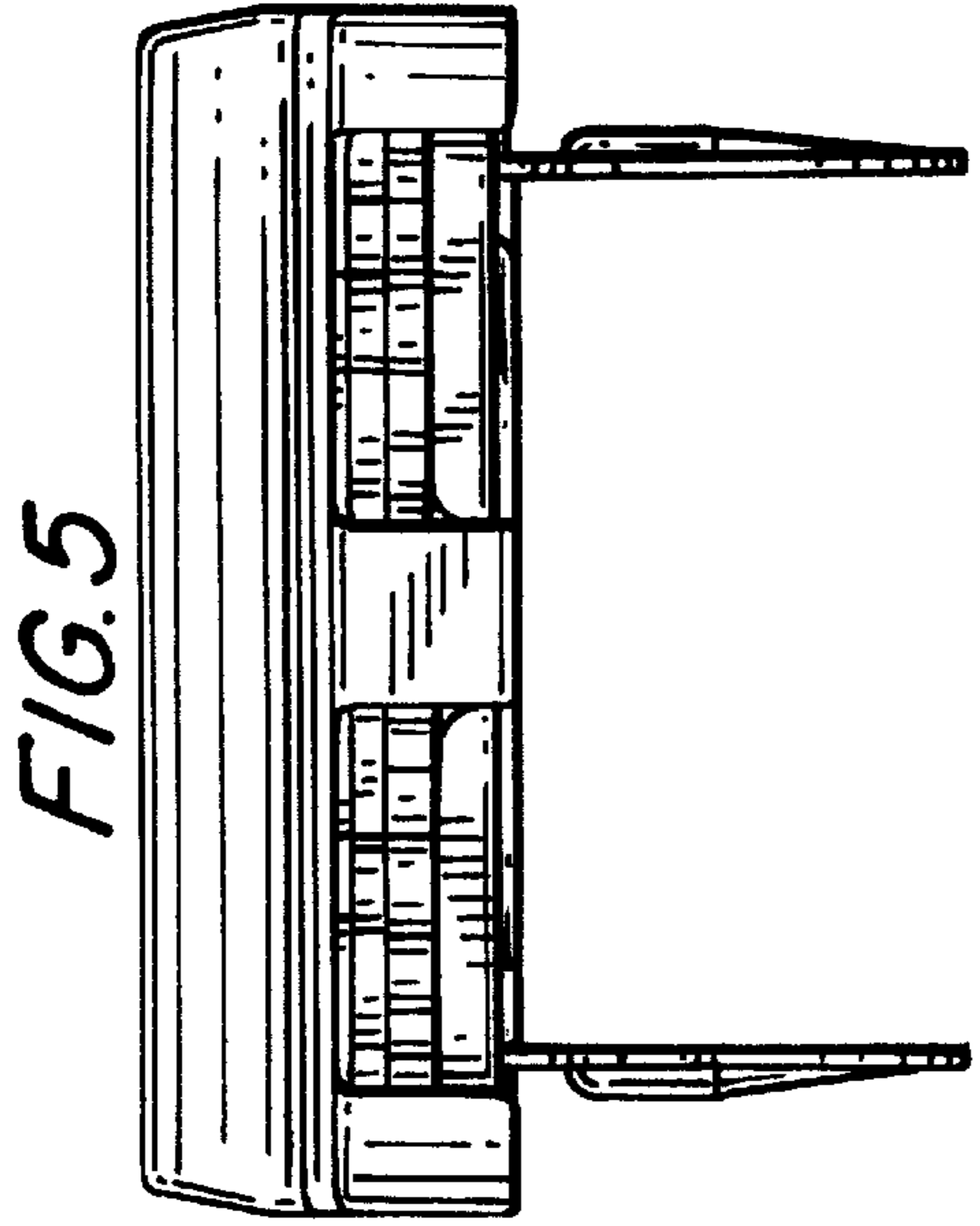


FIG. 4

FIG. 6