



US00D433913S

United States Patent [19]
Pardue

[11] **Patent Number: Des. 433,913**

[45] **Date of Patent: ** Nov. 21, 2000**

[54] **HANDLE FOR A FOLDING KNIFE**

[75] Inventor: **Melvin M. Pardue**, Repton, Ala.

[73] Assignee: **Mentor Group, LLC**, Oregon City, Oreg.

[**] Term: **14 Years**

[21] Appl. No.: **29/106,133**

[22] Filed: **Jun. 9, 1999**

[51] **LOC (7) Cl.** **08-03**

[52] **U.S. Cl.** **D8/99; D8/107**

[58] **Field of Search** D8/98, 99, 107;
30/151, 152, 153, 154, 155, 156, 157, 158,
159, 160, 161, 162

[56] **References Cited**

U.S. PATENT DOCUMENTS

D. 385,173	10/1997	McWillis	D8/99
D. 389,389	1/1998	Glesser	D8/99
D. 389,718	1/1998	Wegner	D8/99
D. 392,539	3/1998	Balolia	D8/99
D. 399,113	10/1998	Balolia	D8/99
D. 408,706	4/1999	Elishewitz	D8/99
D. 410,186	5/1999	Balolia	D8/99
D. 410,187	5/1999	Balolia	D8/99

OTHER PUBLICATIONS

Gorilla and Sons Catalog, pp. 15, 21, 31, 43 and 45, 1997.

Primary Examiner—Philip S. Hyder
Attorney, Agent, or Firm—Chernoff, Vilhauer, McClung & Stenzel, LLP

[57] **CLAIM**

The ornamental design for a handle for a folding knife, as shown and described.

DESCRIPTION

FIG. 1 is an isometric view from the upper right front of a handle for a folding knife showing my new design, wherein the broken-line depiction of a knife blade associated therewith is included merely for illustrative purposes and forms no part of the claimed design;

FIG. 2 is a right side elevational view of the handle for a folding knife shown in FIG. 1, the left side elevational view thereof being a mirror image of this view;

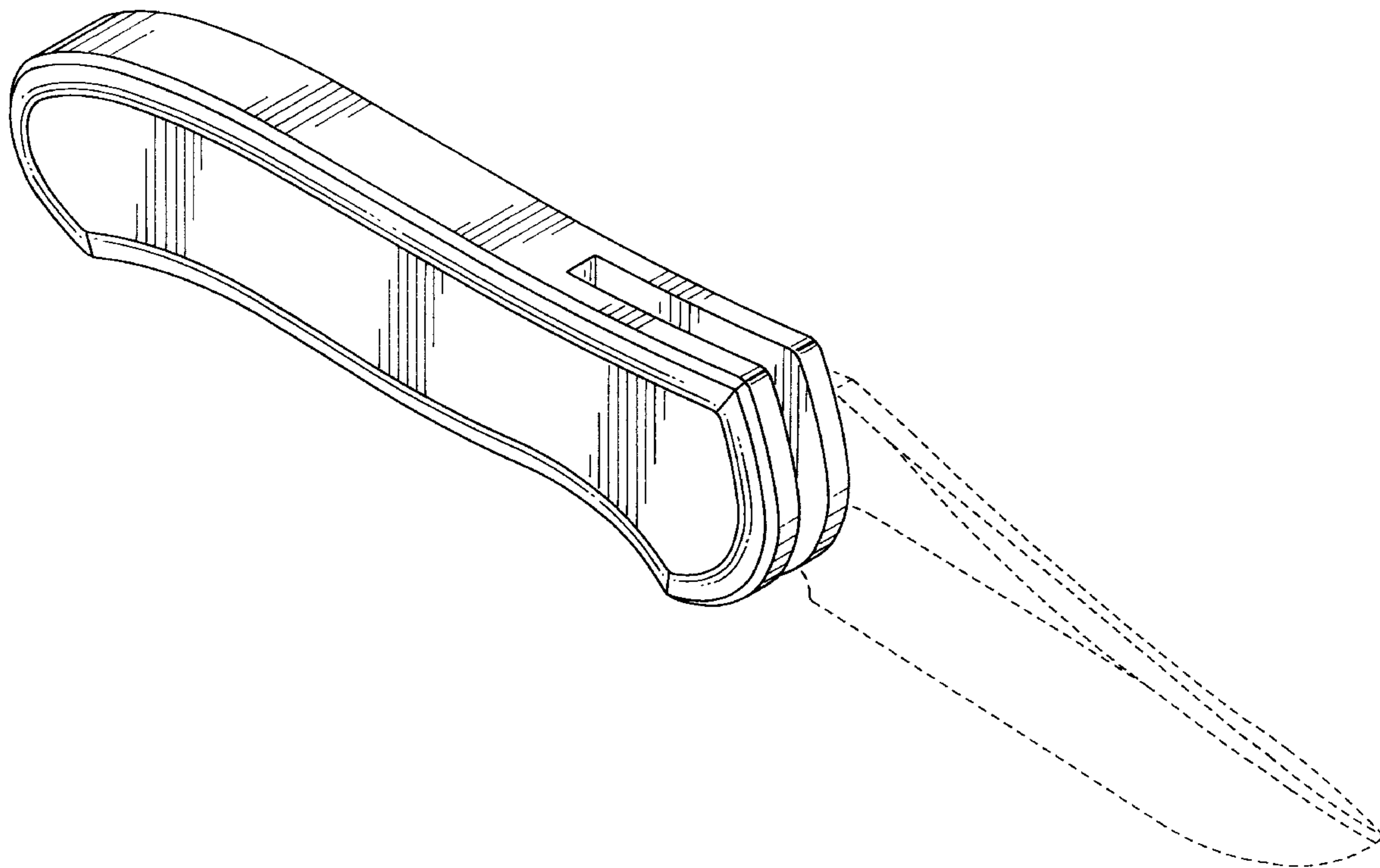
FIG. 3 is a top plan, or back, view of the handle for a folding knife shown in FIG. 2;

FIG. 4 is a bottom plan view thereof;

FIG. 5 is a rear, or butt, end elevational view thereof; and,

FIG. 6 is a front, or blade, end elevational view thereof.

1 Claim, 2 Drawing Sheets



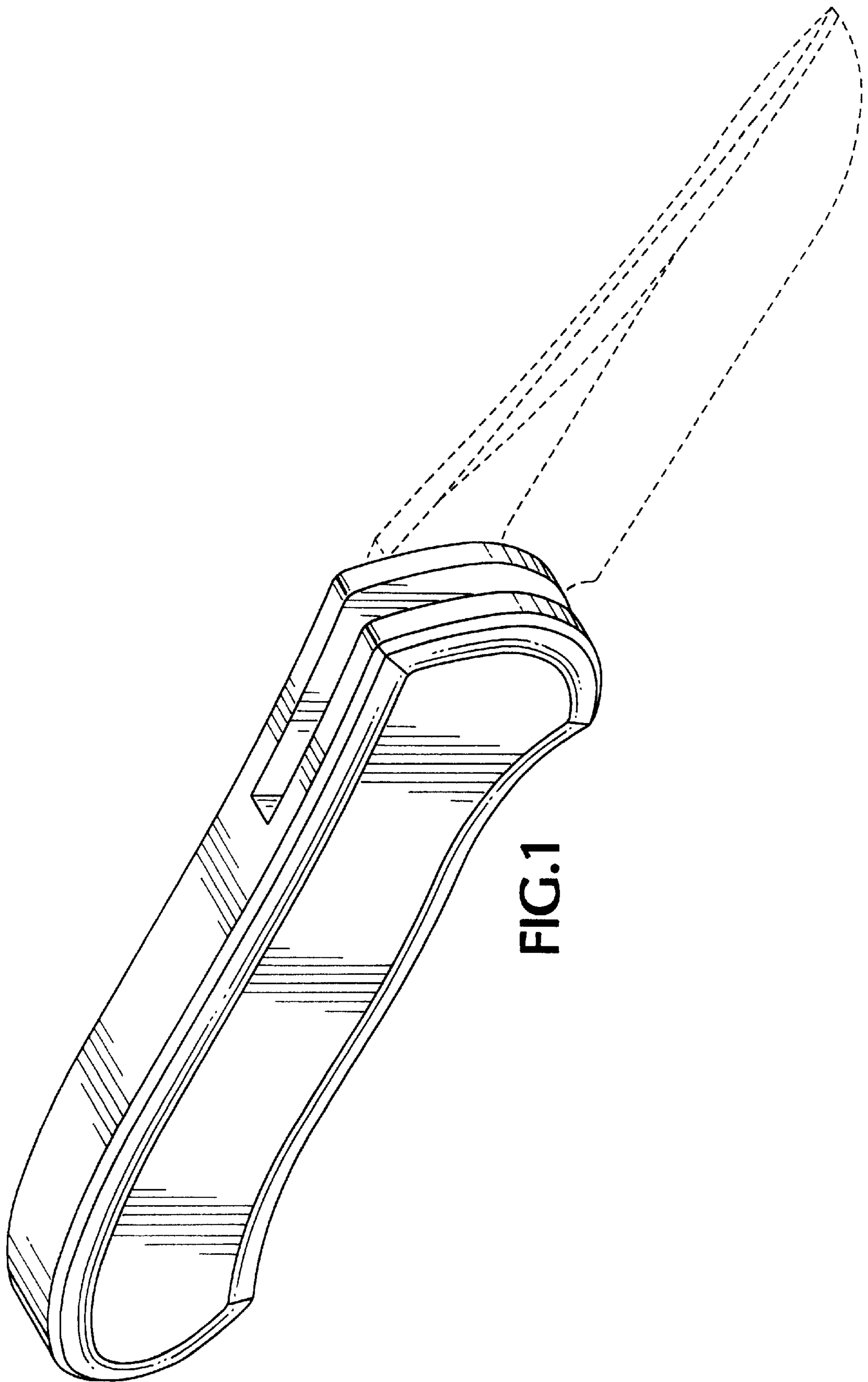


FIG.1

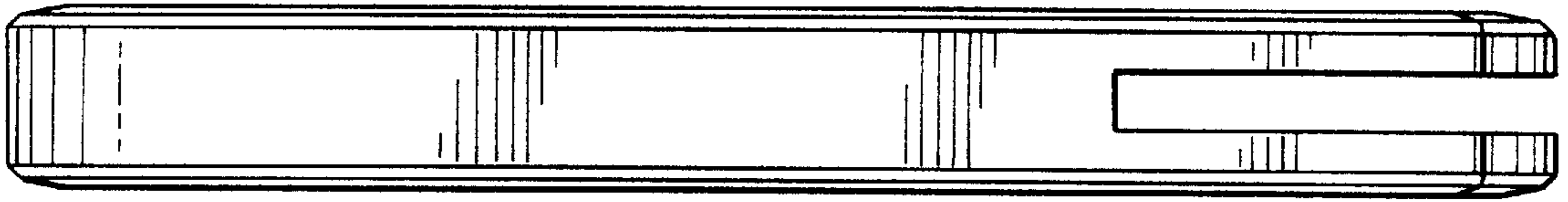


FIG.3

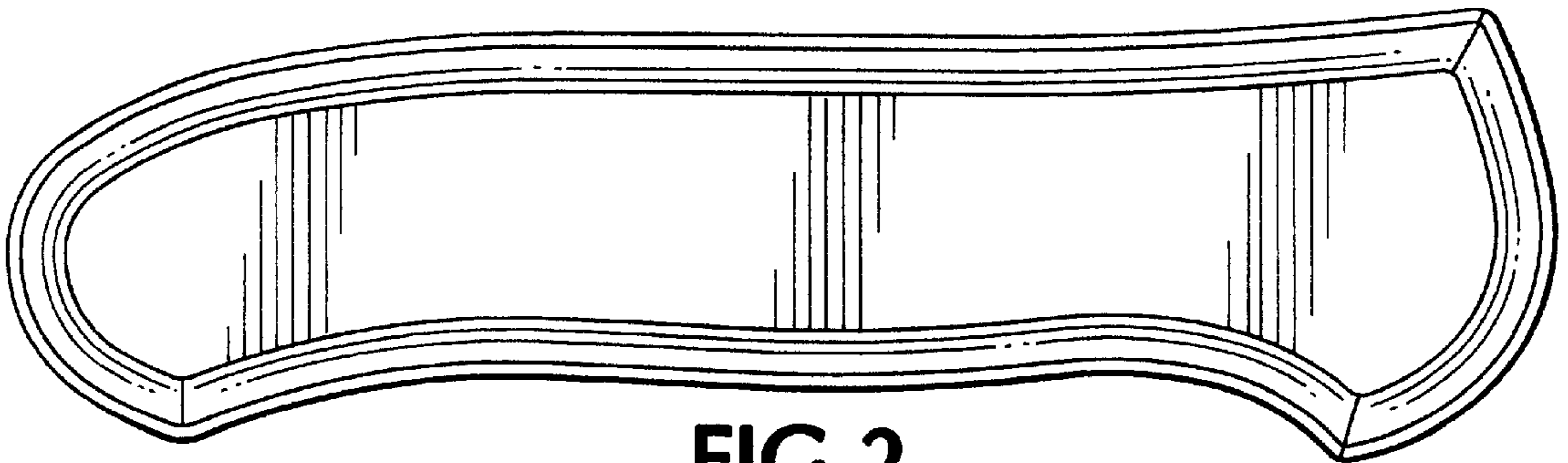


FIG.2

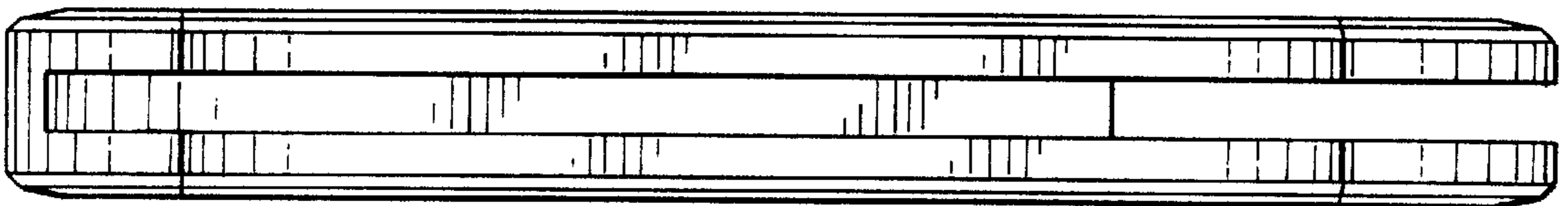


FIG.4

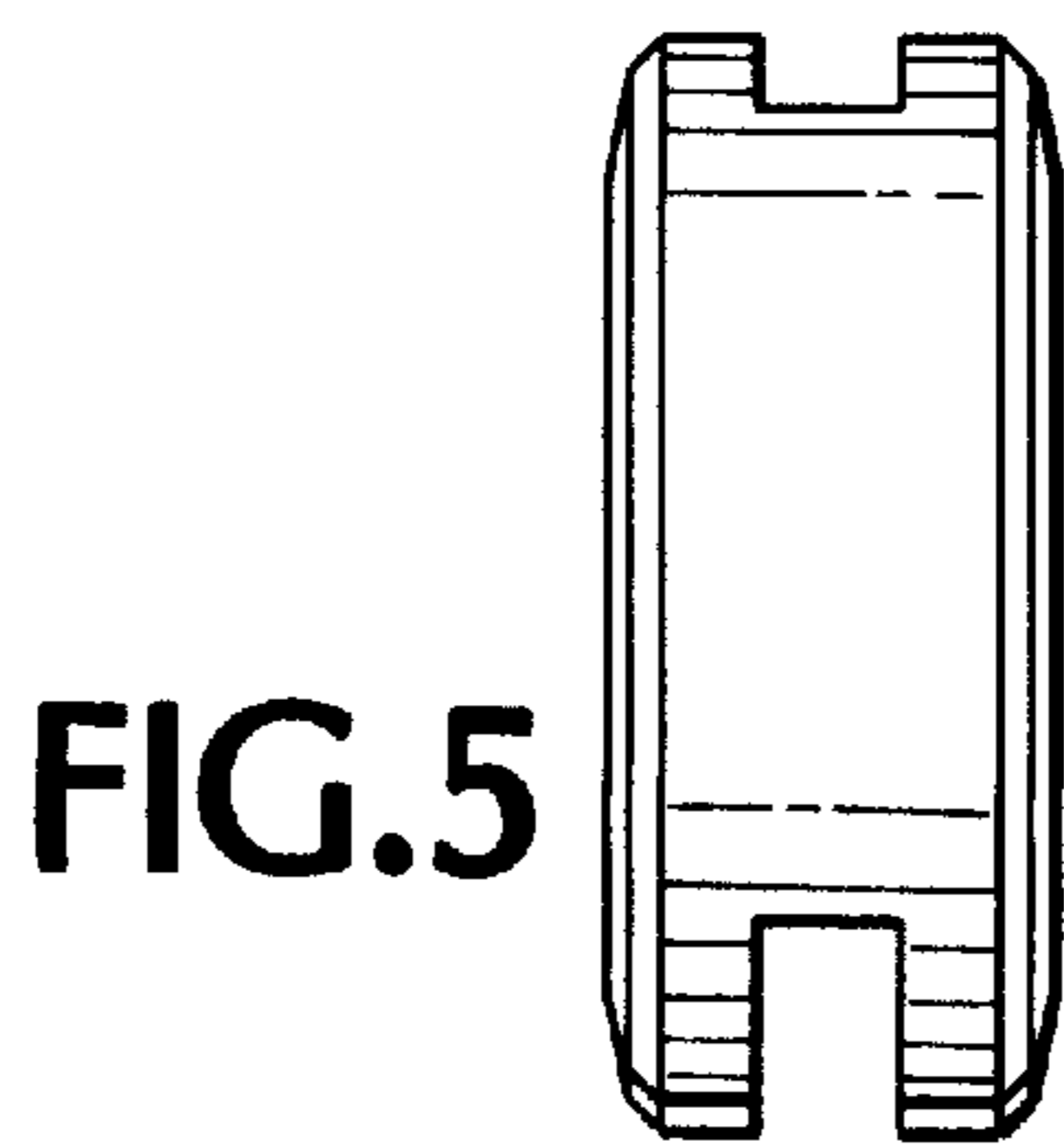


FIG.5

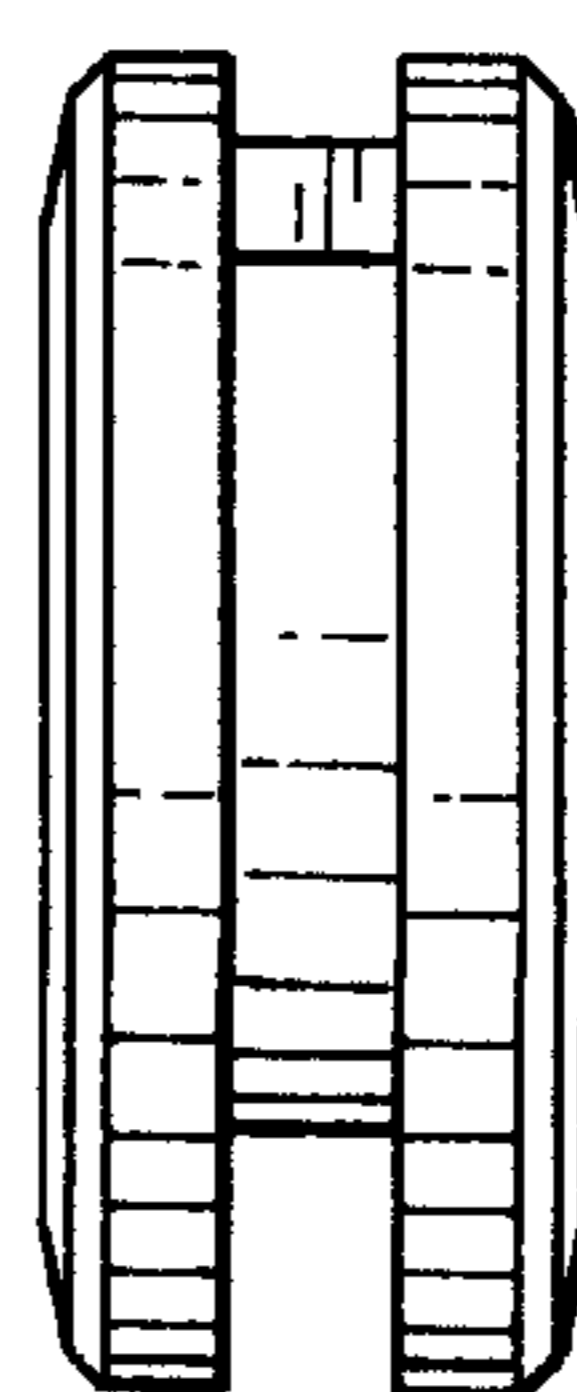


FIG.6