



US00D433908S

United States Patent [19]
Kaiser

[11] **Patent Number: Des. 433,908**

[45] **Date of Patent: ** Nov. 21, 2000**

[54] **PORTABLE PNEUMATIC FASTENER
DRIVING DEVICE HOUSING**

6,032,848 3/2000 Smolinski 227/123

[75] Inventor: **David W. Kaiser**, Plainville, Conn.

Primary Examiner—Antoine Duval Davis
Attorney, Agent, or Firm—Pillsbury Madison & Sutro, LLP

[73] Assignee: **Stanley Fastening Systems, LP**, East
Greenwich, R.I.

[57] **CLAIM**

[**] Term: **14 Years**

The ornamental design for a portable pneumatic fastener driving device housing, as shown and described.

[21] Appl. No.: **29/115,787**

DESCRIPTION

[22] Filed: **Dec. 22, 1999**

FIG. 1 is a perspective view of a portable pneumatic fastener driving device housing showing our new design, looking downwardly at the front and left hand side thereof;

[51] **LOC (7) Cl.** **08-05**

[52] **U.S. Cl.** **D8/69**

FIG. 2 is a left side elevational view thereof;

[58] **Field of Search** D8/61, 68, 69;
227/2, 8, 111-115, 120, 123, 130

FIG. 3 is a right side elevational view thereof;

FIG. 4 is a front elevational view thereof;

FIG. 5 is a rear elevational view thereof;

FIG. 6 is a top plan view thereof; and,

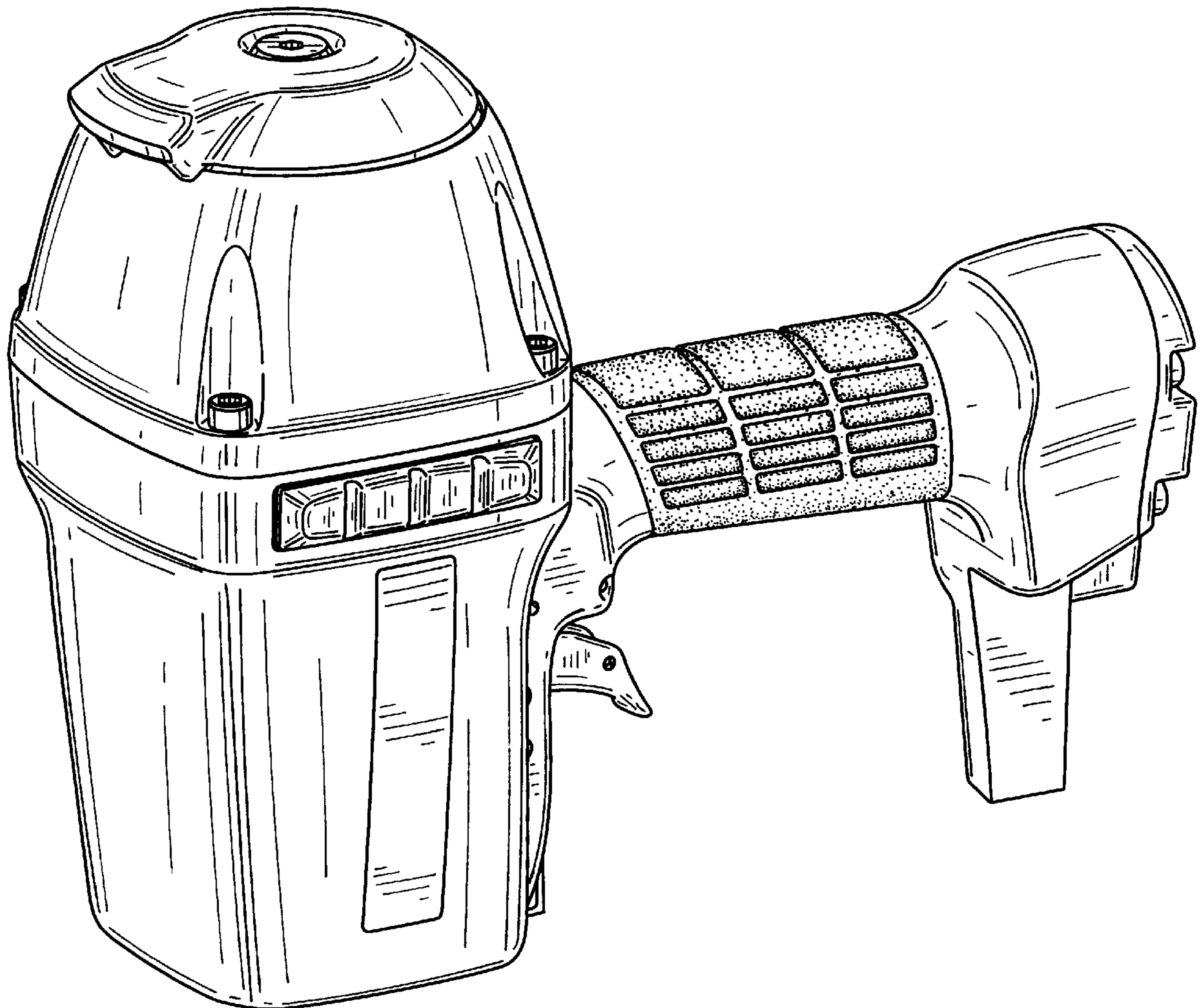
FIG. 7 is a bottom plan view thereof.

[56] **References Cited**

U.S. PATENT DOCUMENTS

D. 383,658 9/1997 Kaiser D8/61

1 Claim, 6 Drawing Sheets



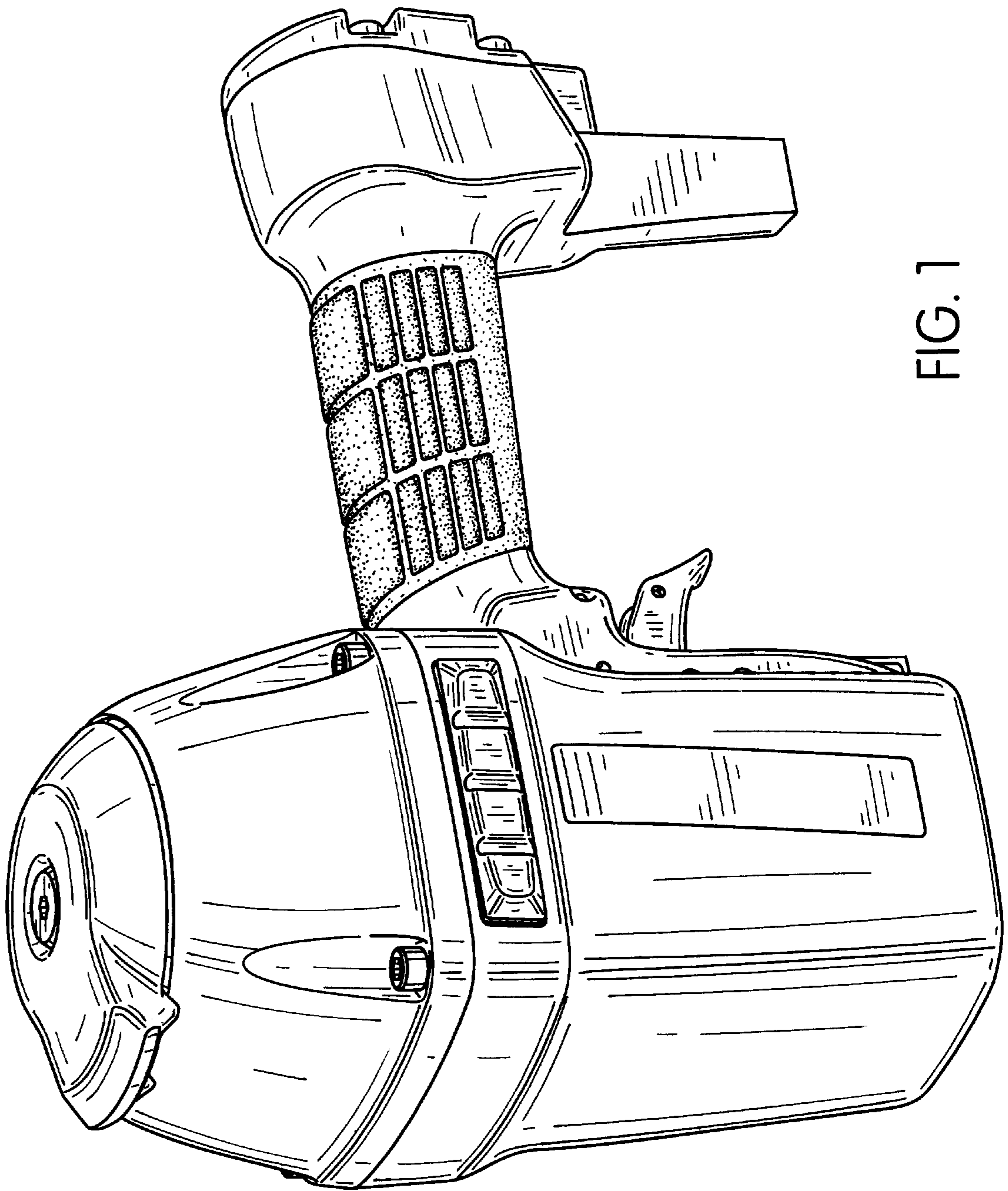
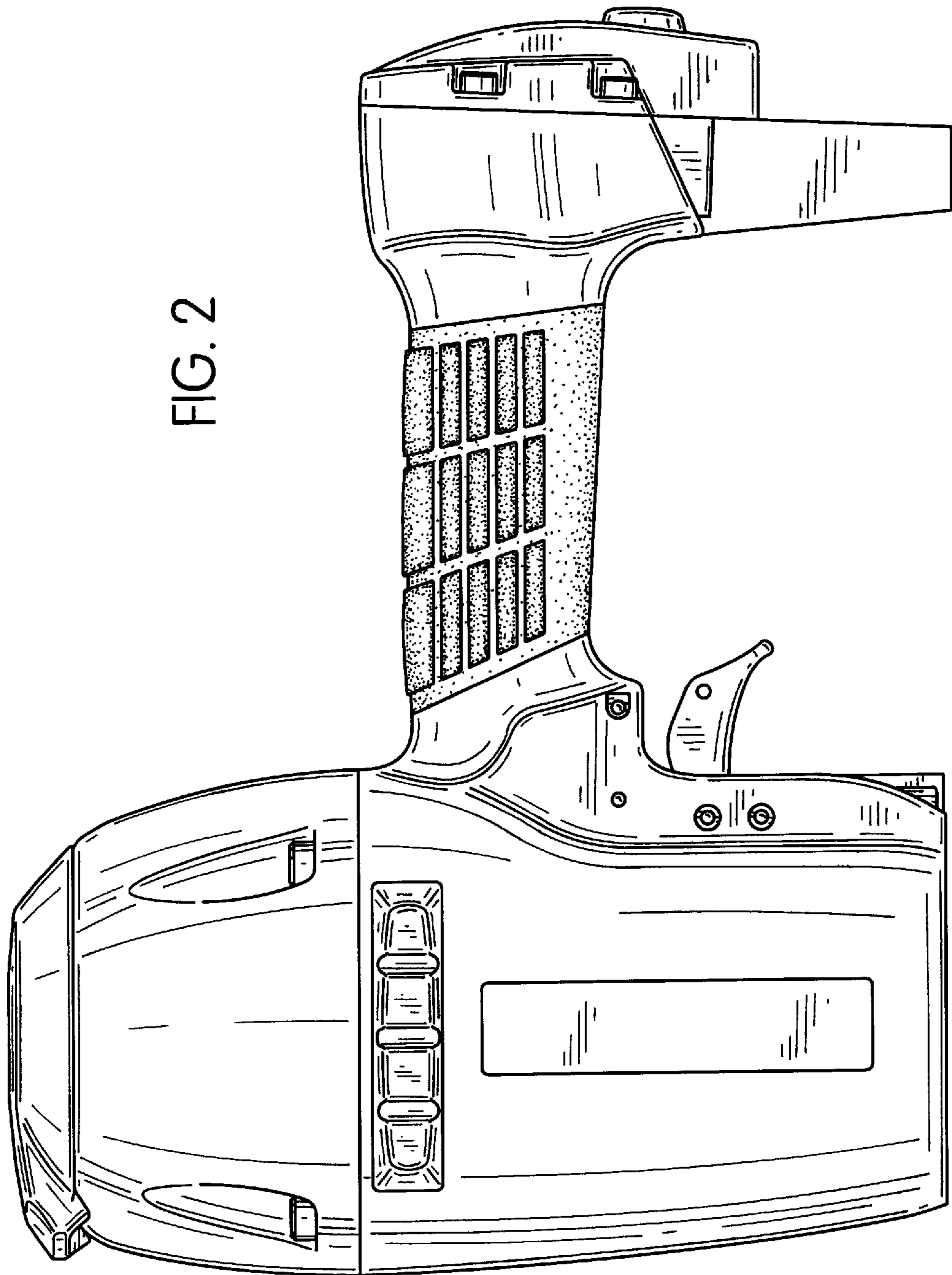


FIG. 1

FIG. 2



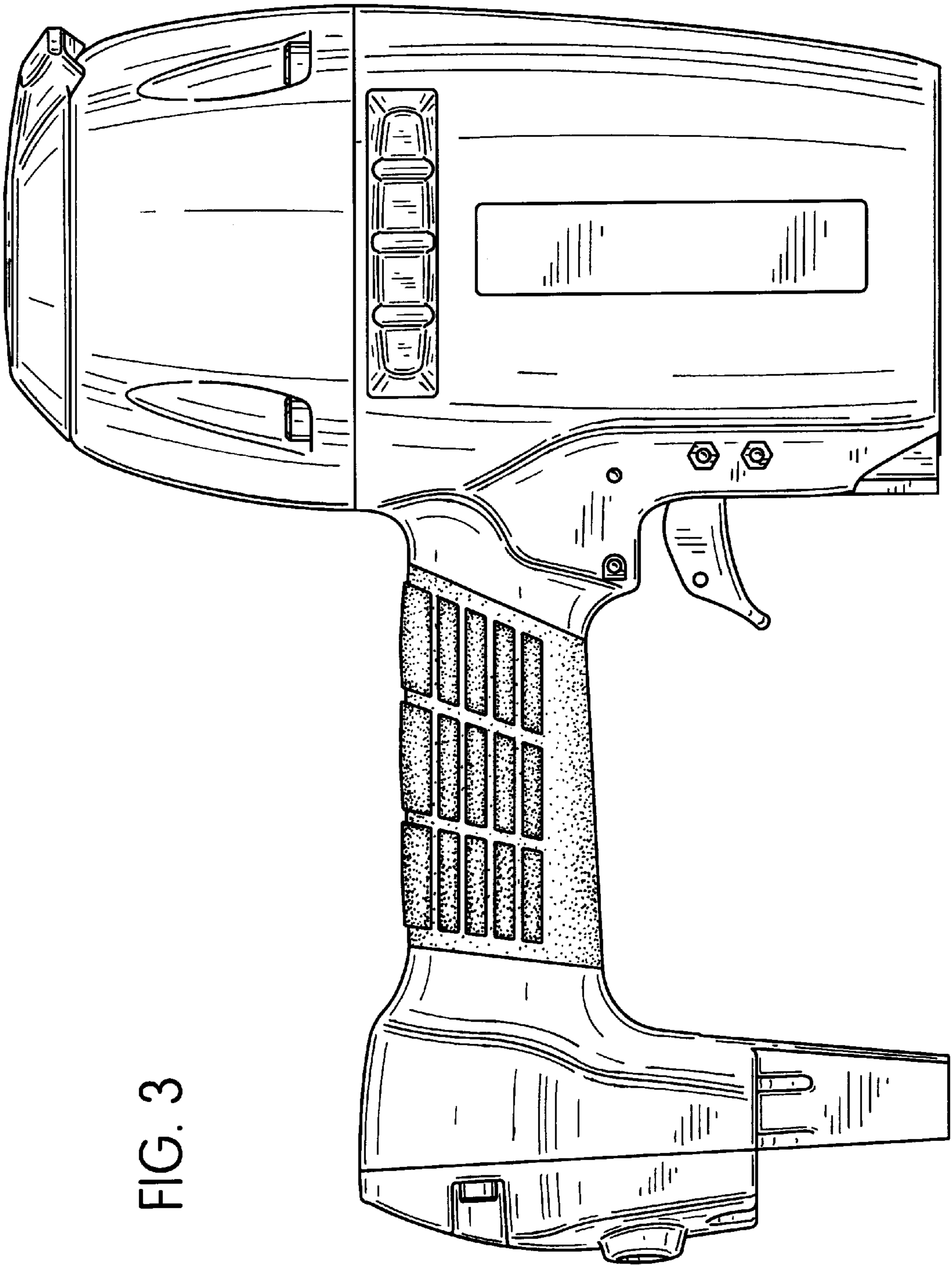


FIG. 3

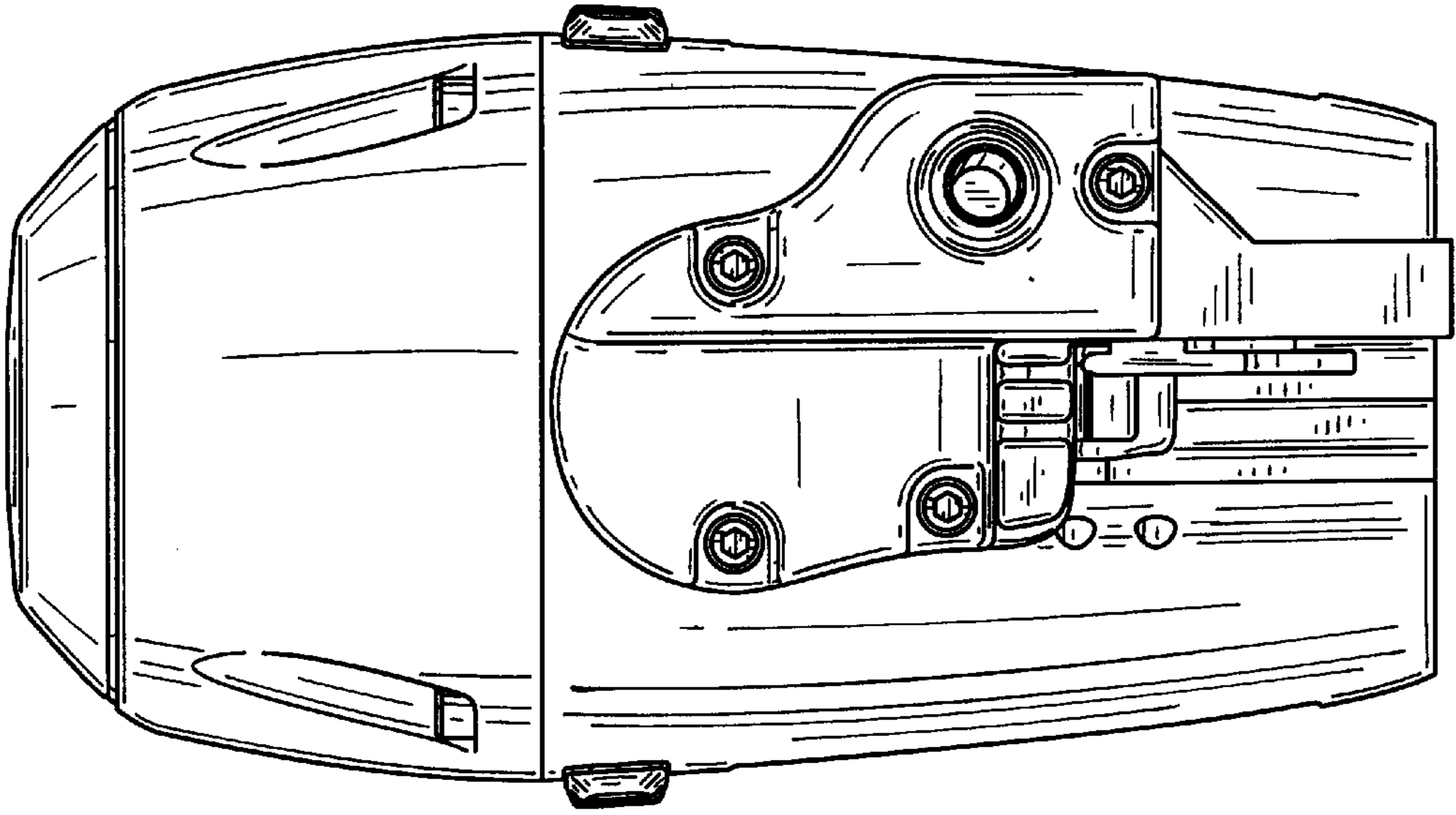


FIG. 5

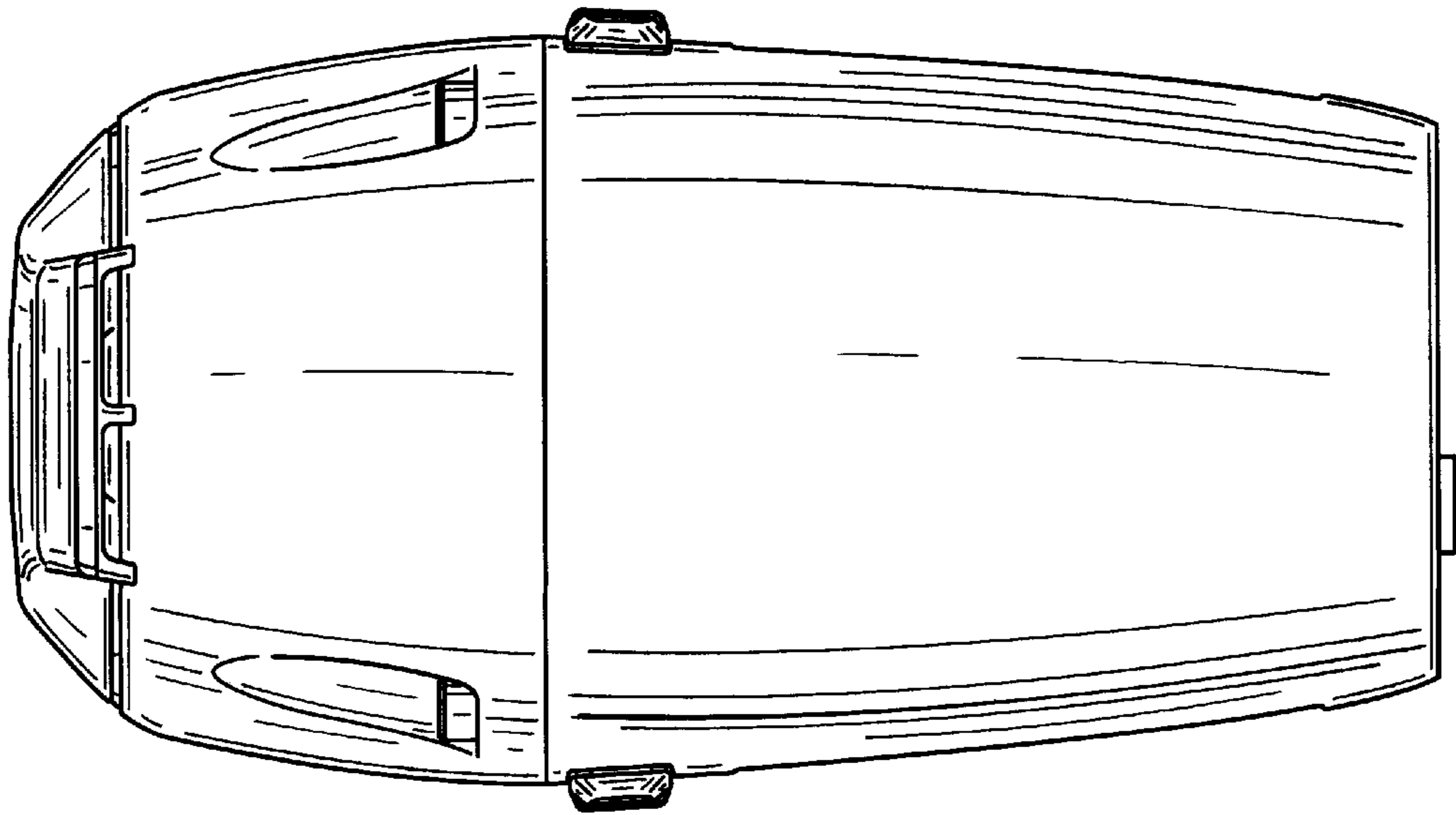


FIG. 4

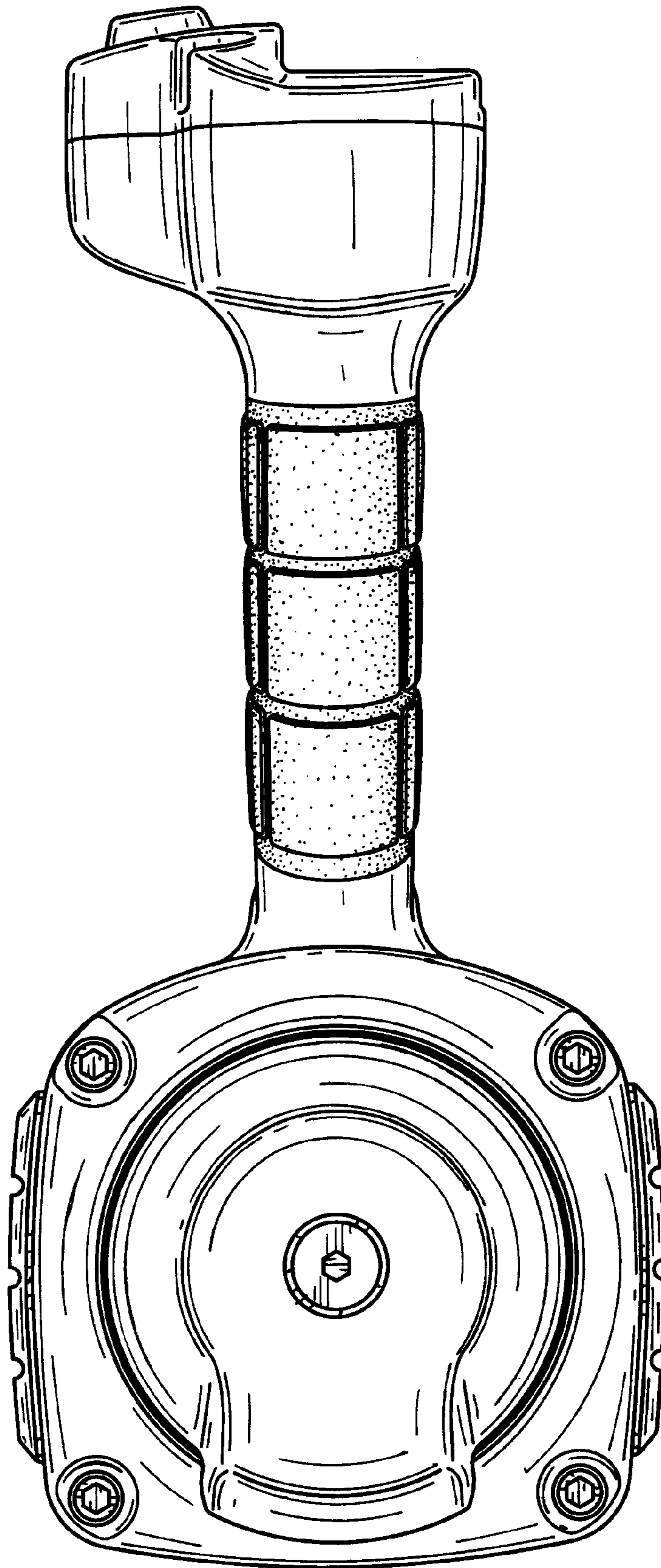


FIG. 6

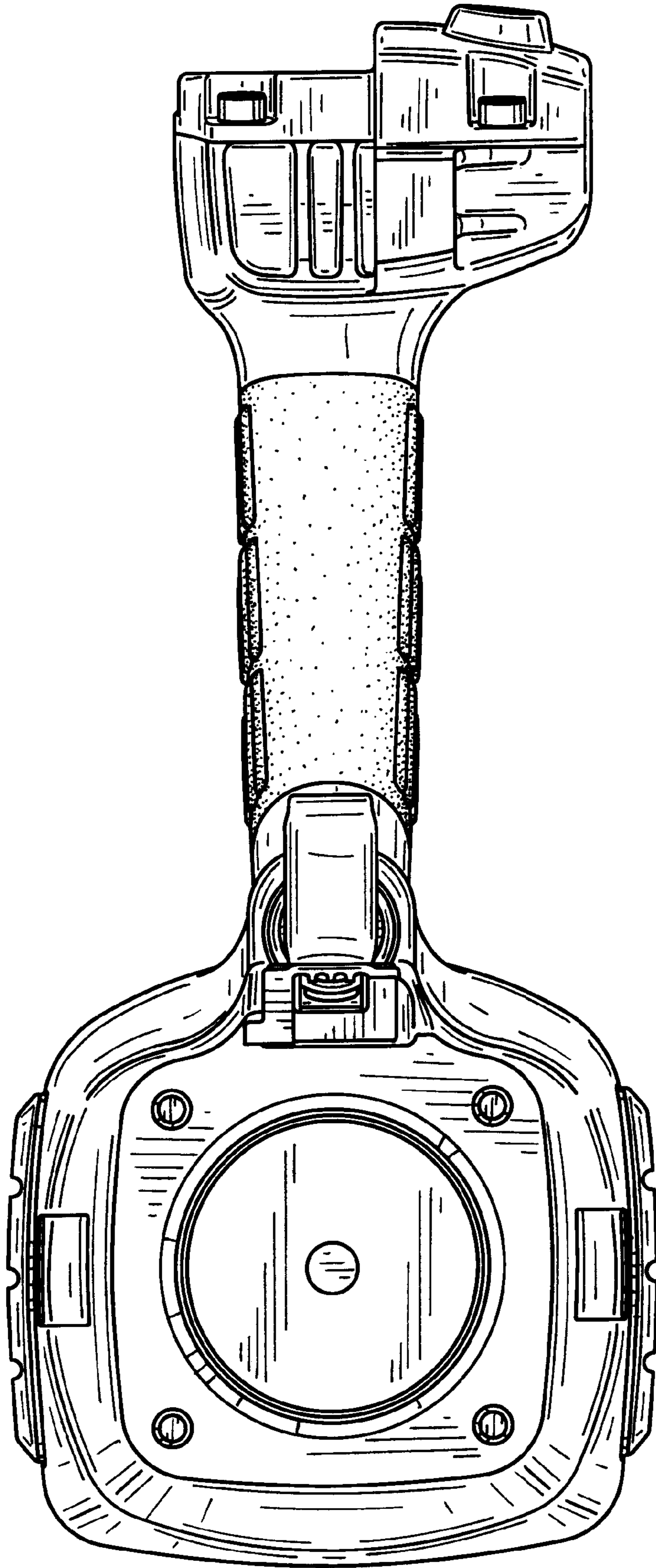


FIG. 7