



US00D433906S

United States Patent [19] Heun

[11] **Patent Number: Des. 433,906**

[45] **Date of Patent: ** Nov. 21, 2000**

[54] **ELECTRIC GRINDER**

[75] **Inventor: Ping Hay Heun**, Aberdeen, The Hong Kong Special Administrative Region of the People's Republic of China

[73] **Assignee: Choon Nang Electrical Appliance Mfy., Ltd.**, Abwedeen, The Hong Kong Special Administrative Region of the People's Republic of China

[**] **Term: 14 Years**

[21] **Appl. No.: 29/115,324**

[22] **Filed: Dec. 13, 1999**

[30] **Foreign Application Priority Data**

Aug. 24, 1999 [GB] United Kingdom 2086168

[51] **LOC (7) Cl. 08-01**

[52] **U.S. Cl. D8/62; D8/61**

[58] **Field of Search D8/61, 62, 67, D8/70, DIG. 7; 451/48, 103, 108, 109, 111, 119, 162, 177, 259, 270, 344, 351-353, 357-359**

[56] **References Cited**

U.S. PATENT DOCUMENTS

D. 255,417 6/1980 Sakamoto et al. D8/62

D. 295,824	5/1988	Hoshino et al.	D8/62
D. 301,830	6/1989	Ogawa et al.	D8/62
D. 305,399	1/1990	Fushiya et al.	D8/62
D. 385,764	11/1997	Goto	D8/62
D. 392,529	3/1998	Goto	D8/62
D. 396,175	7/1998	Chung	D8/62
D. 402,870	12/1998	Etter et al.	D8/62
5,558,571	9/1996	Toyoshima et al.	451/358

Primary Examiner—Martie K. Holtje
Attorney, Agent, or Firm—Leydig, Voit & Mayer

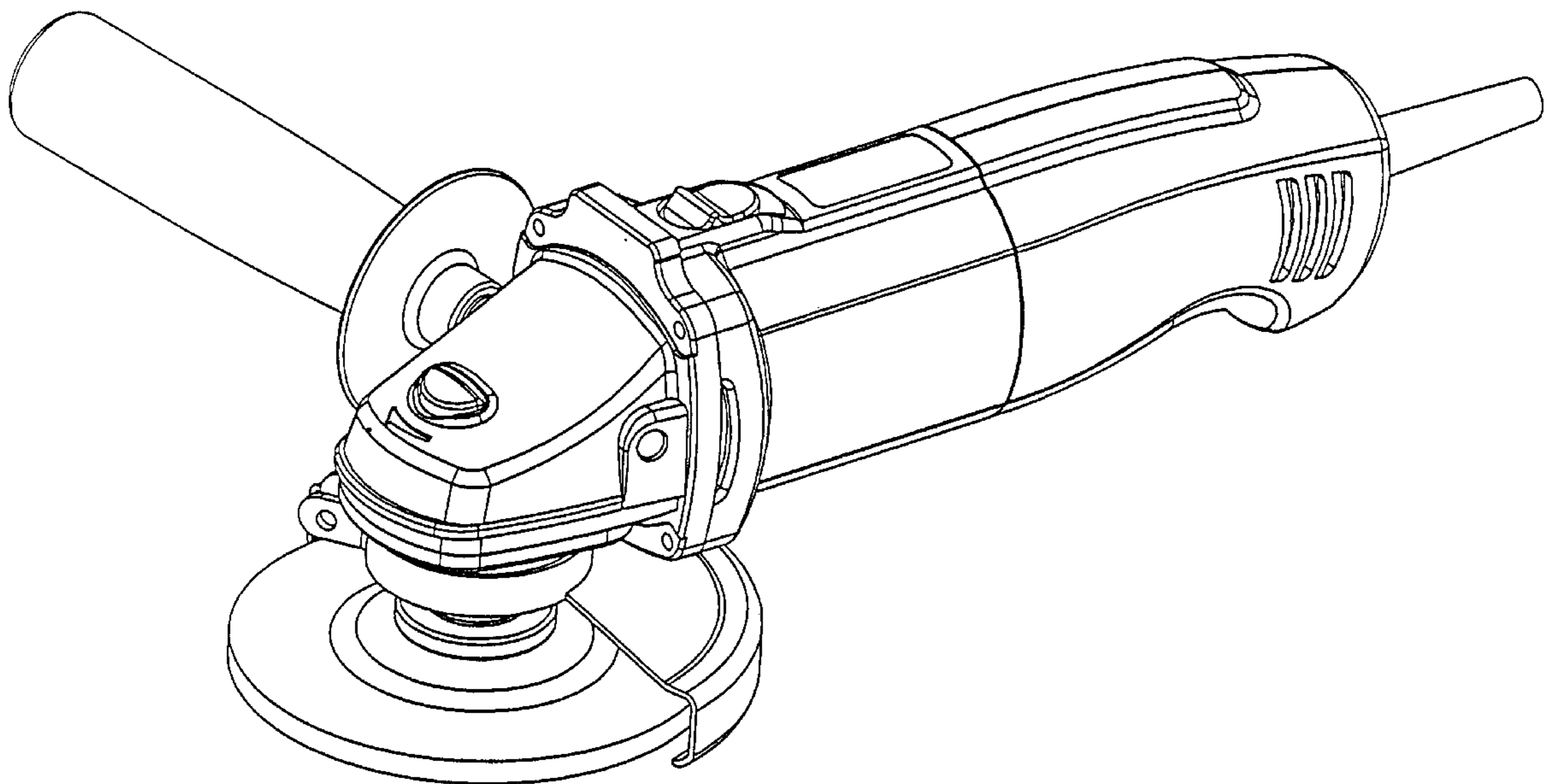
[57] **CLAIM**

The ornamental design for an electric grinder, as shown and described.

DESCRIPTION

FIG. 1 is a front end perspective view of an electric grinder showing my new design;
FIG. 2 is a left side elevational view thereof;
FIG. 3 is a right side elevational view thereof;
FIG. 4 is a front end elevational view thereof;
FIG. 5 is a rear end elevational view thereof;
FIG. 6 is a top plan view thereof; and,
FIG. 7 is a bottom plan view thereof.

1 Claim, 7 Drawing Sheets



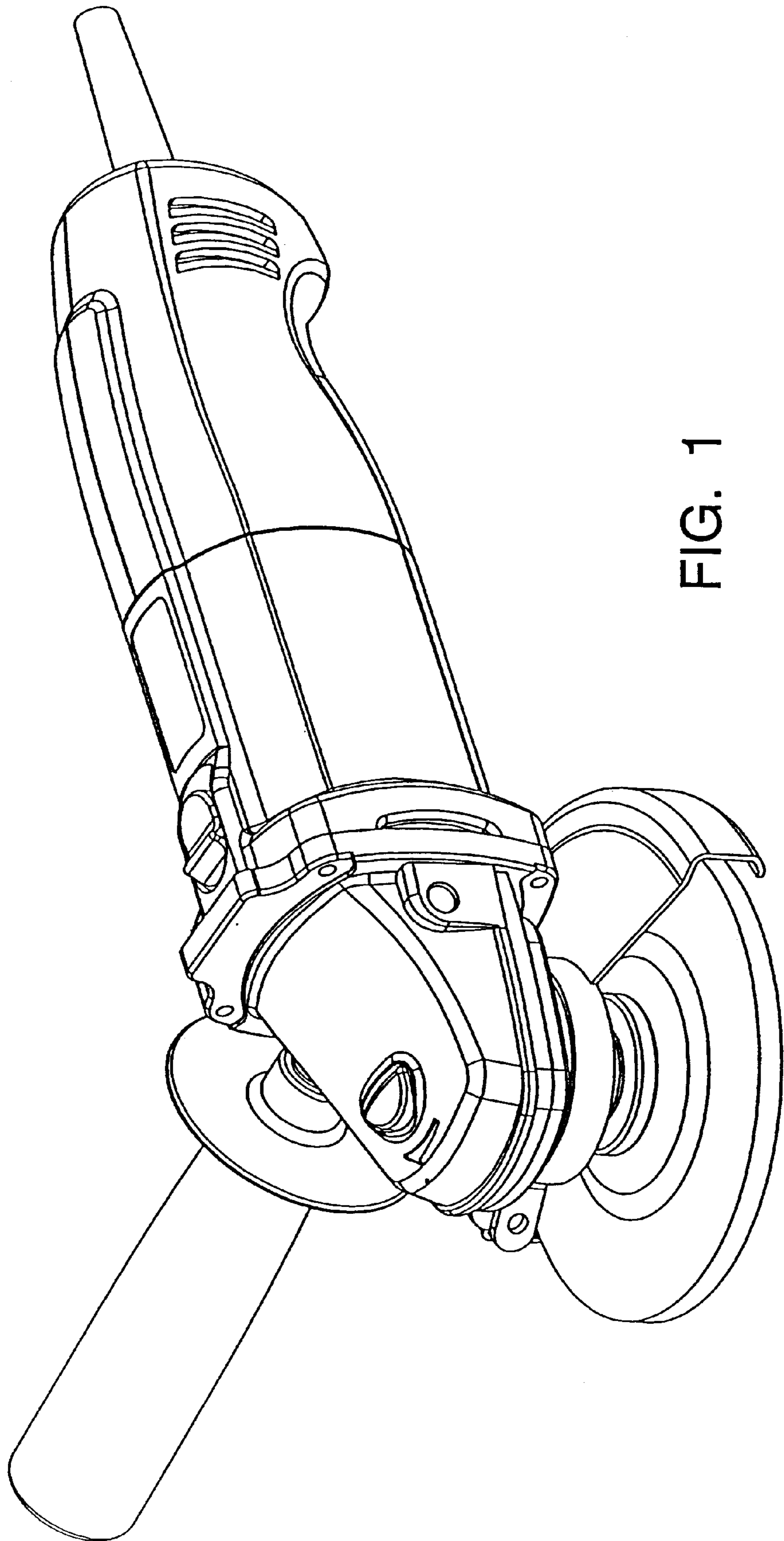


FIG. 1

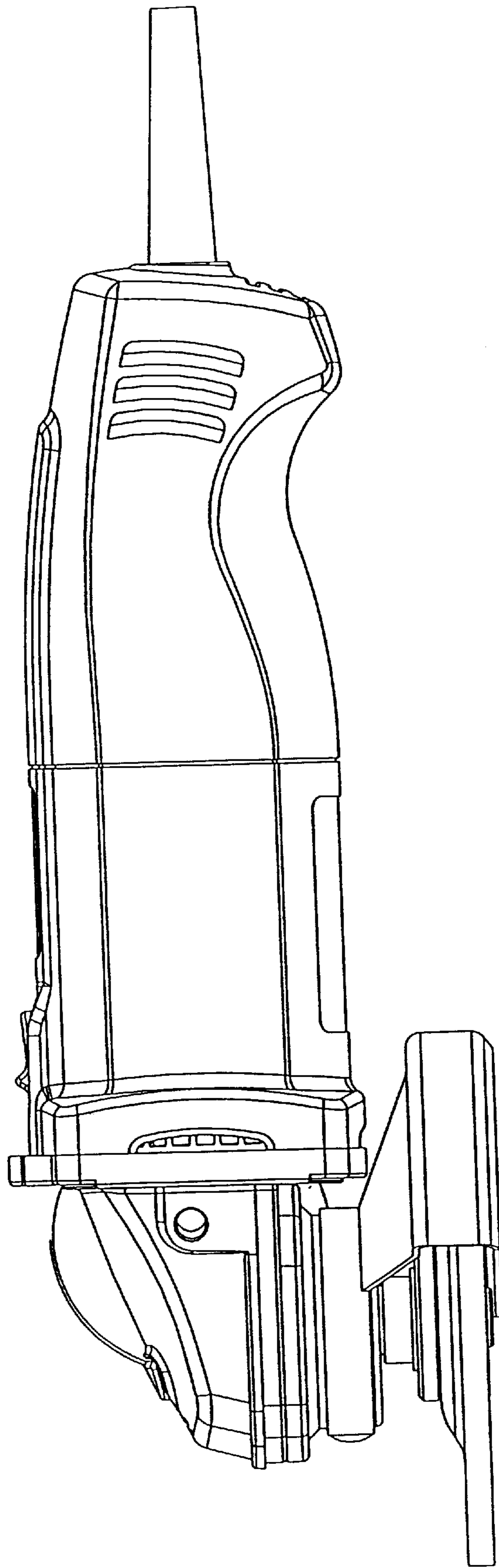


FIG. 2

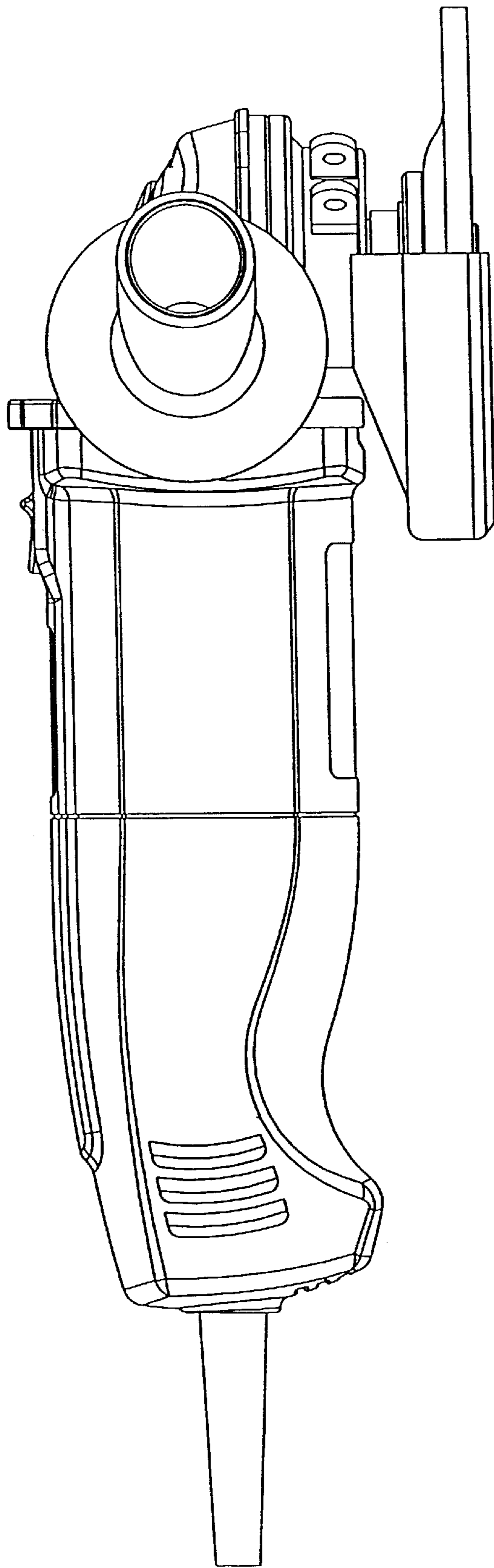


FIG. 3

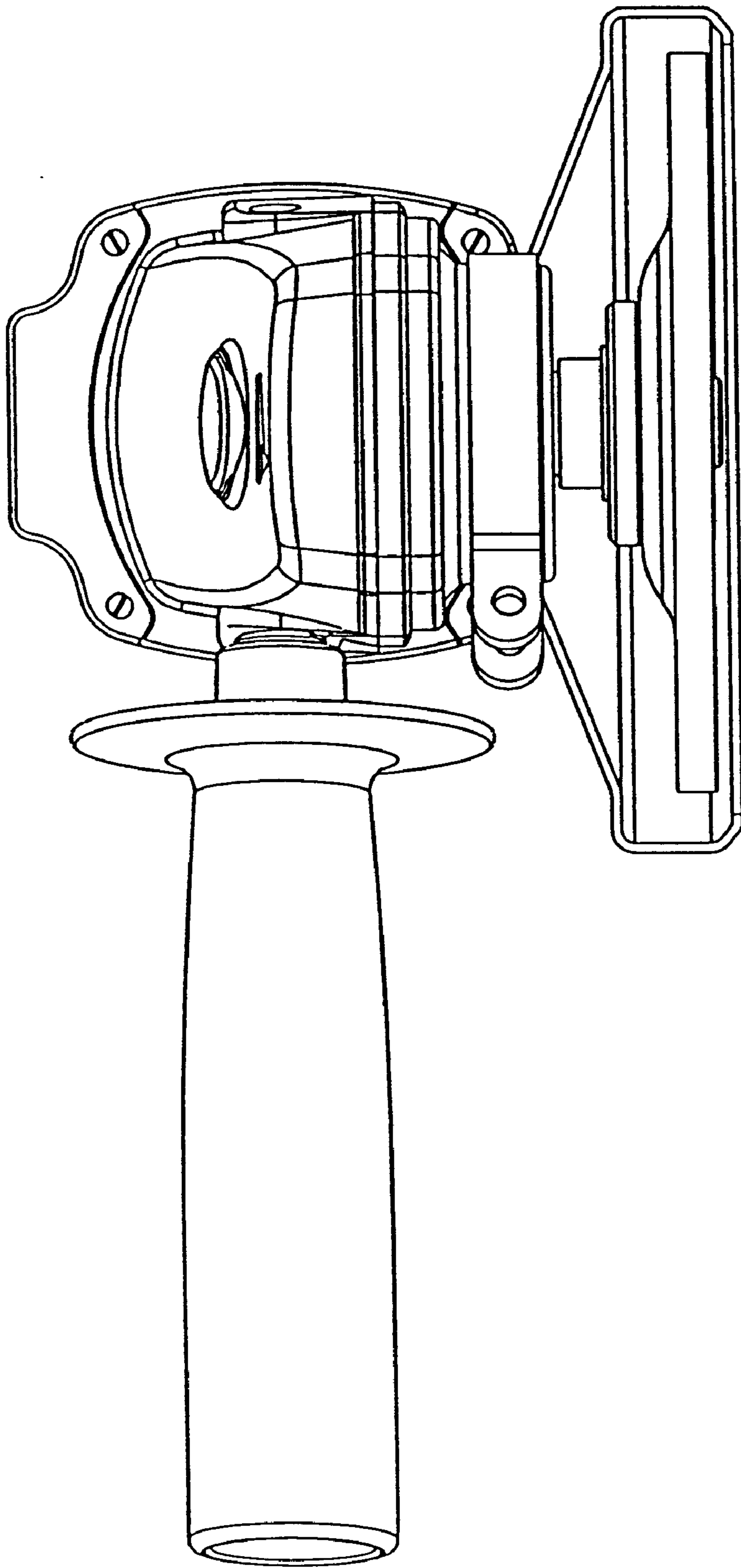


FIG. 4

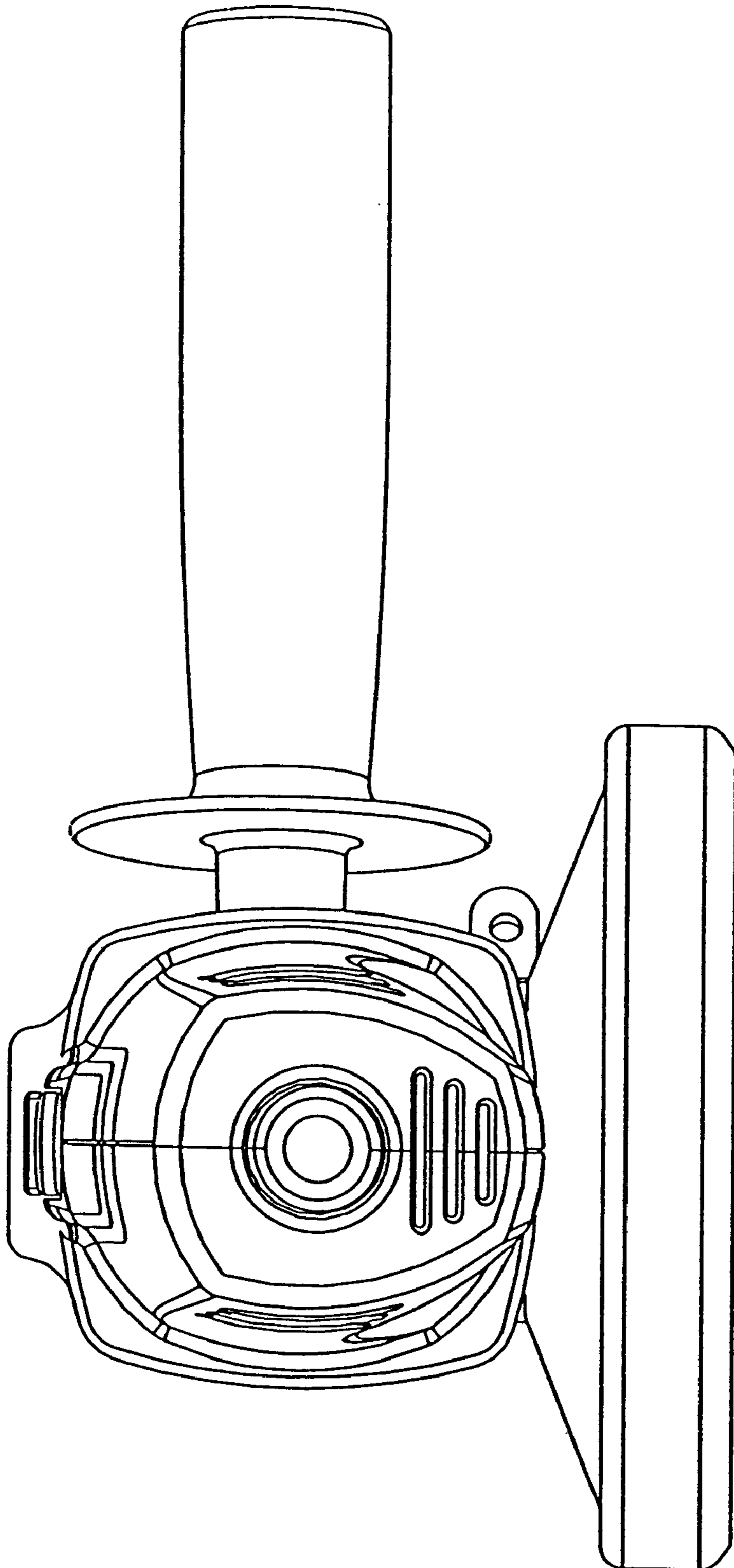
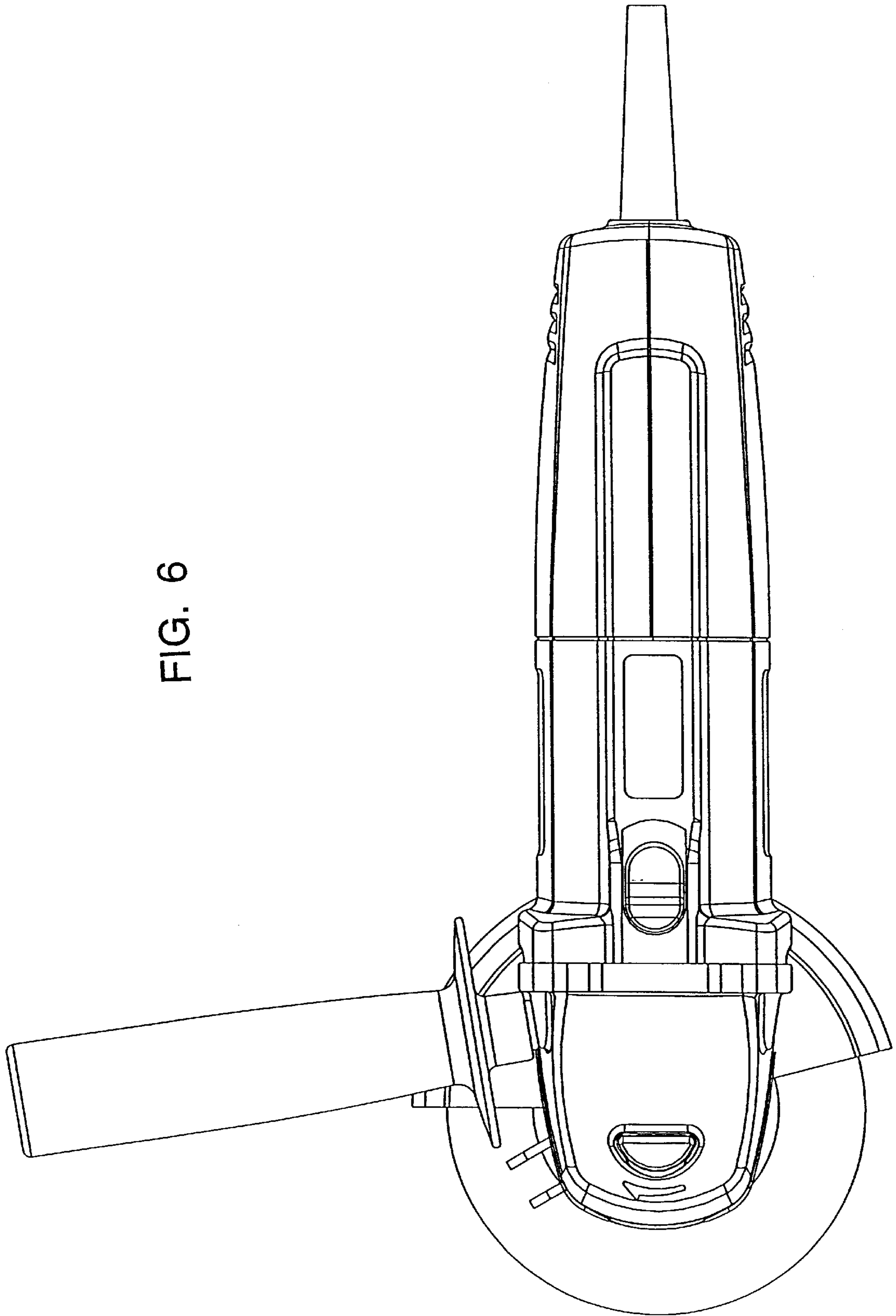


FIG. 5

FIG. 6



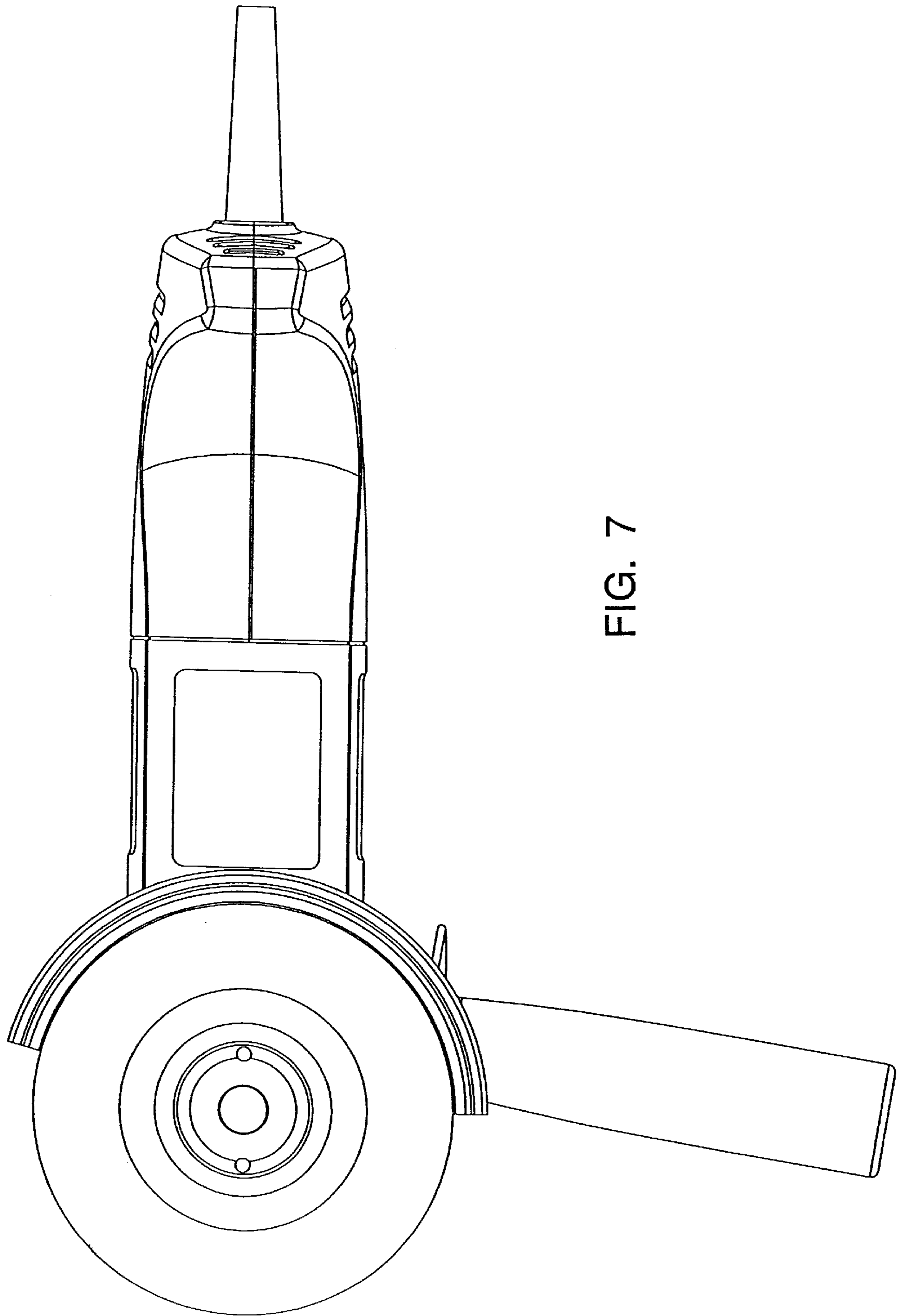


FIG. 7