



US00D433905S

# United States Patent [19] Cooper

[11] Patent Number: Des. 433,905

[45] Date of Patent: \*\* Nov. 21, 2000

[54] ROTARY TOOL

[75] Inventor: Vincent P. Cooper, Baltimore, Md.

[73] Assignee: Black & Decker Inc., Newark, Del.

[\*\*] Term: 14 Years

[21] Appl. No.: 29/123,588

[22] Filed: May 19, 2000

[51] LOC (7) Cl. .... 08-05

[52] U.S. Cl. .... D8/61

[58] Field of Search ..... D8/61-70; 81/57.11,  
81/474, 54, 57.42; 173/170, 182, 217, 48,  
273; 30/391, 390; 15/3.53; 310/50; 418/270;  
409/182

[56] **References Cited**

U.S. PATENT DOCUMENTS

D. 304,543	11/1989	Somers et al. ....	D8/61
D. 310,160	8/1990	Patel .	
D. 310,470	9/1990	Tohdoh .....	D8/62
D. 323,274	1/1992	Sasaki et al. .	
D. 323,275	1/1992	Sasaki et al. .	
D. 343,560	1/1994	McCambridge .	
D. 343,561	1/1994	McCambridge .	
D. 374,159	10/1996	Chiang .	
D. 376,083	12/1996	Verdura et al. .	
D. 376,303	12/1996	Nagel .	
D. 378,727	4/1997	Kikuchi .	
D. 380,658	7/1997	Bruno et al. .	
D. 387,960	12/1997	Sung .	
D. 391,820	3/1998	Bunyea .	
D. 403,936	1/1999	Somers .	
D. 404,626	1/1999	Hall et al. .	
D. 410,829	6/1999	Heun .....	D8/61
D. 412,273	7/1999	Chung .....	D8/62
D. 414,668	10/1999	Duennes et al. ....	D8/68
D. 418,729	1/2000	Snider .....	D8/61
D. 423,897	5/2000	Cooper .....	D8/61
D. 427,040	6/2000	Heun .....	D8/61
D. 427,870	7/2000	Heun .....	D8/61

3,806,977	4/1974	Anderson .....	15/3.53
3,873,863	3/1975	Pew .....	310/50
3,940,818	3/1976	Anderson .....	15/3.53
4,140,446	2/1979	Fernstrom .....	418/270
4,231,270	11/1980	Totsu .....	81/474
4,617,843	10/1986	Nishida et al. ....	81/57.11
4,878,404	11/1989	Liao .....	81/54
4,912,349	3/1990	Chang .	
5,525,889	6/1996	Chan et al. .	

FOREIGN PATENT DOCUMENTS

M8901440	2/1989	Germany .
M8901441	2/1989	Germany .
M8906980	4/1989	Germany .
M8904666	7/1989	Germany .
M9503499	1/1995	Germany .
M9508345	4/1995	Germany .
M9508933	5/1995	Germany .
49807209	1/1998	Germany .
49811294	11/1998	Germany .
DM018146	11/1990	Hague Agreement .
DM042229	12/1997	Hague Agreement .

Primary Examiner—Jeffrey Asch  
Attorney, Agent, or Firm—Bruce S. Shapiro

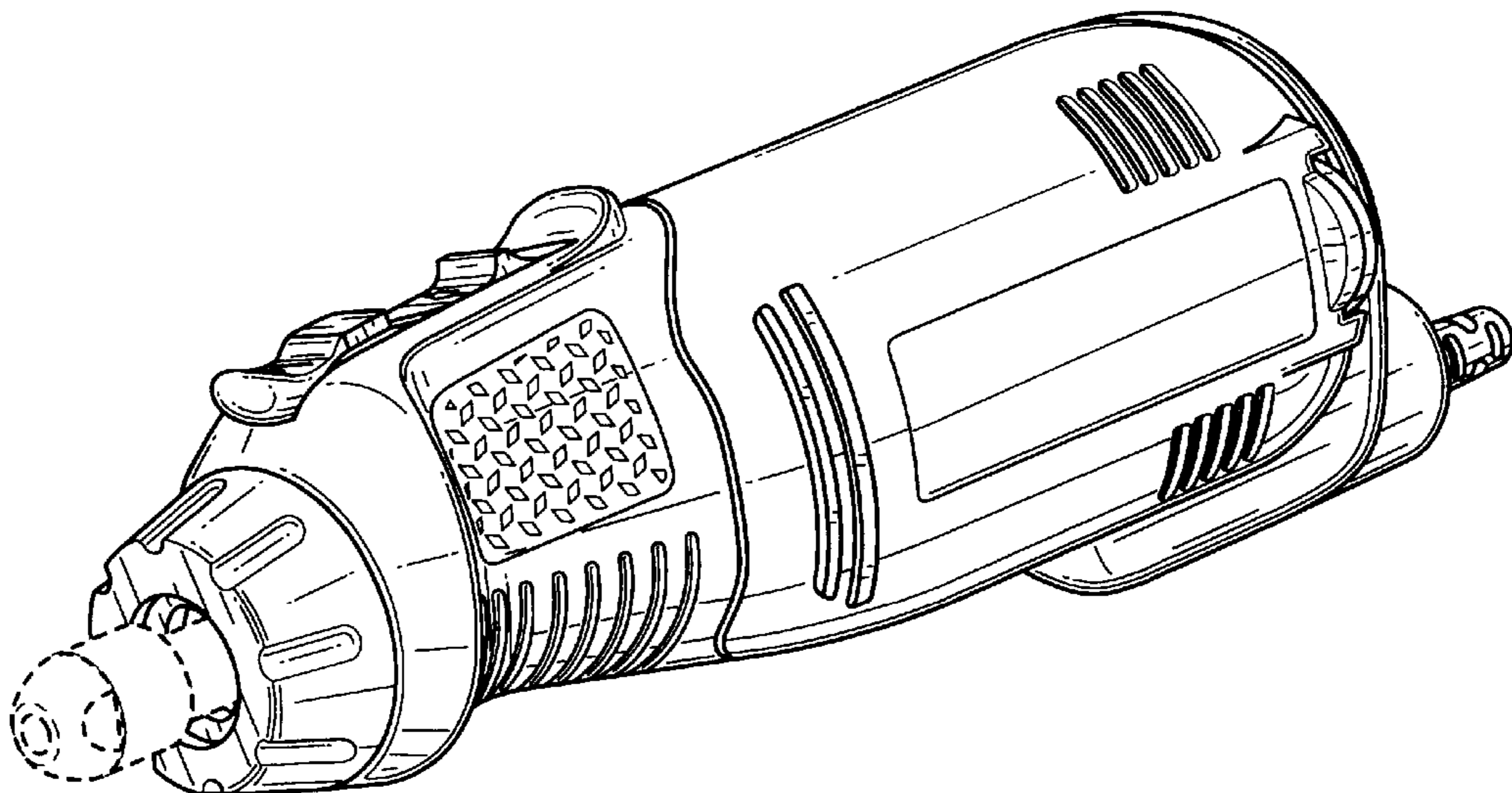
[57] **CLAIM**

The ornamental design for a rotary tool, as shown and described.

**DESCRIPTION**

FIG. 1 is a perspective view of a rotary tool showing my new design.  
FIG. 2 is a left side elevational view thereof.  
FIG. 3 is a right side elevational view thereof.  
FIG. 4 is a top plan view thereof.  
FIG. 5 is a bottom plan view thereof.  
FIG. 6 is a front elevational view thereof; and,  
FIG. 7 is a rear elevational view thereof.  
The broken line showing is for illustrative purposes only and forms no part of the claimed design.

1 Claim, 6 Drawing Sheets



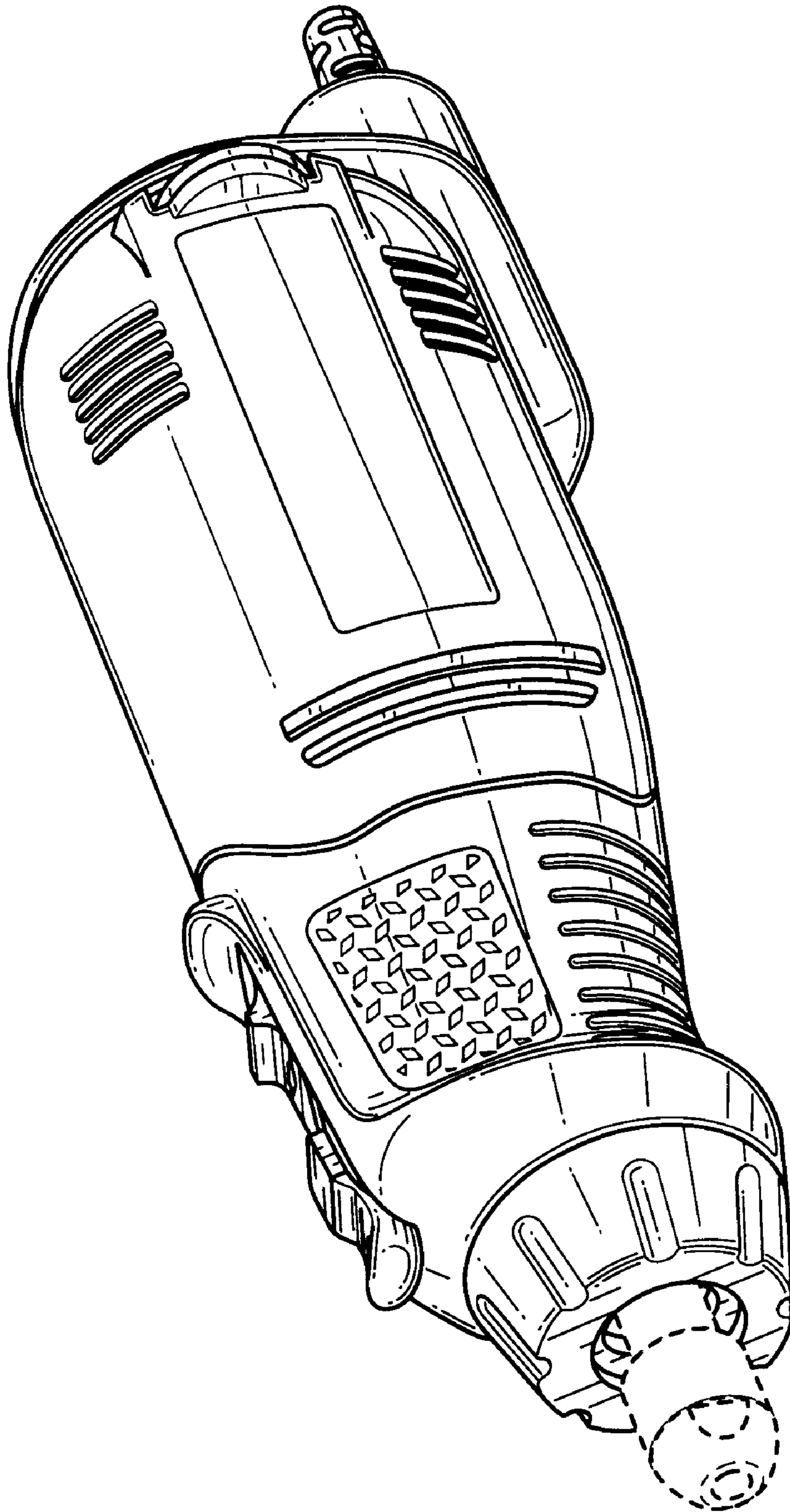


FIG. 1

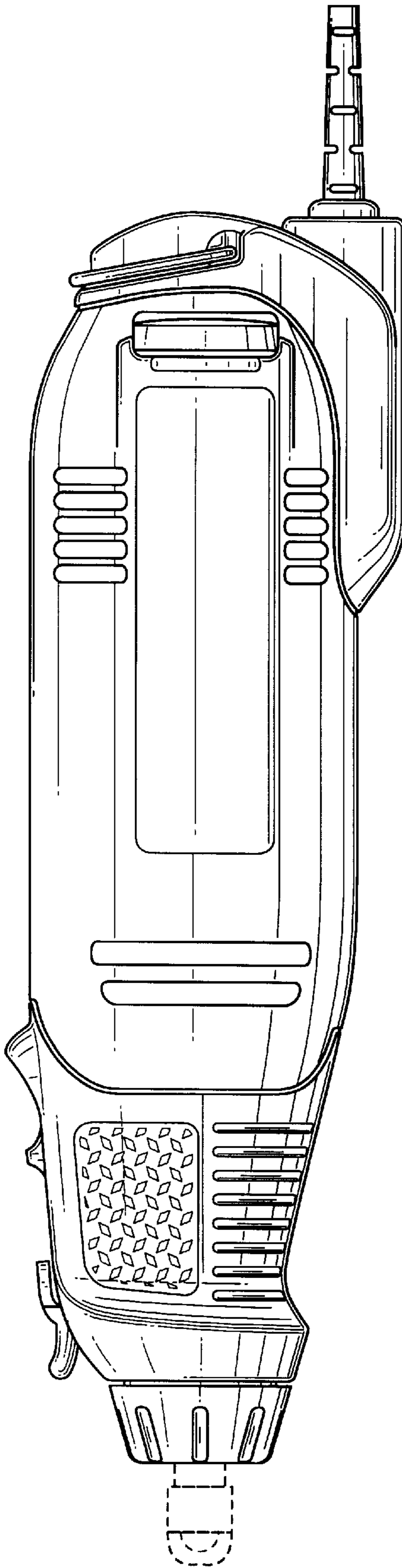


FIG. 2

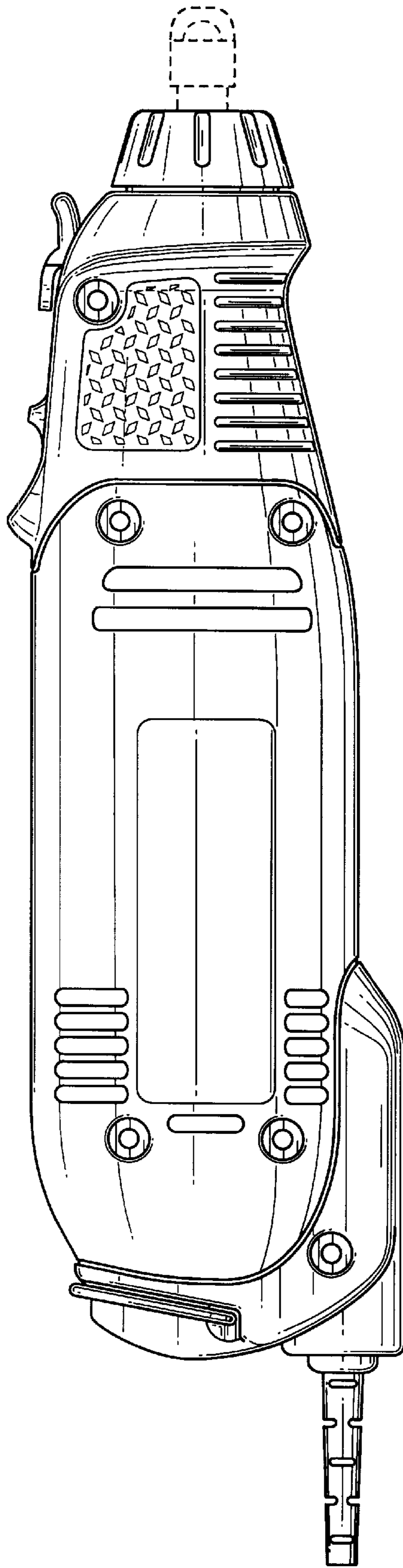


FIG. 3



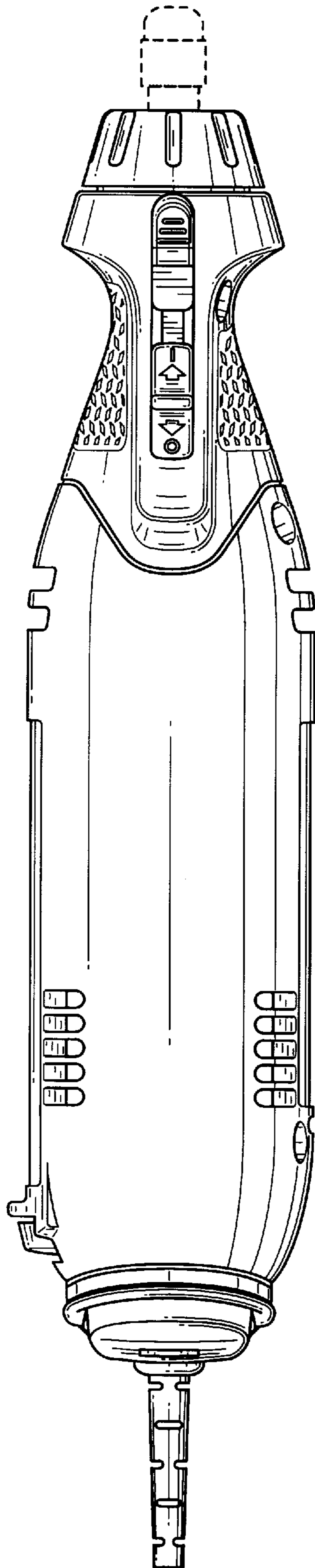


FIG. 4

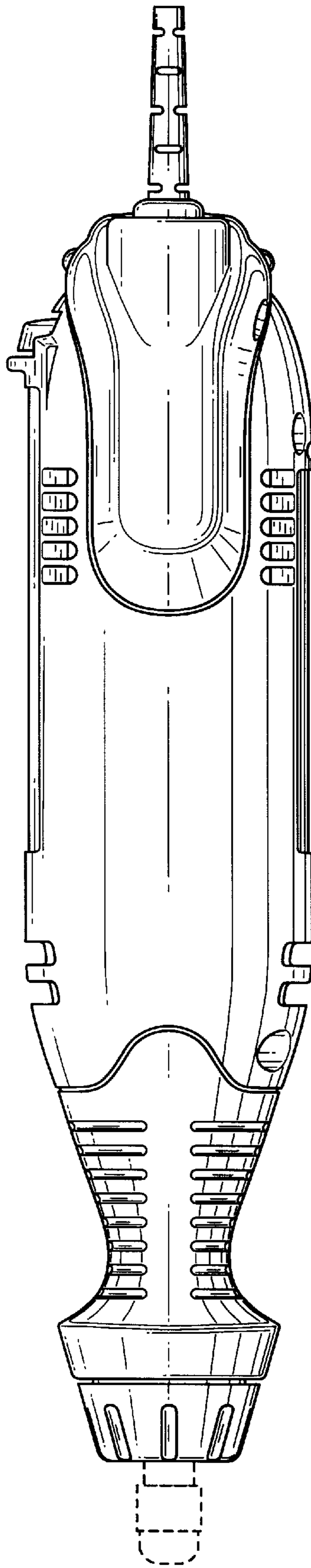


FIG. 5

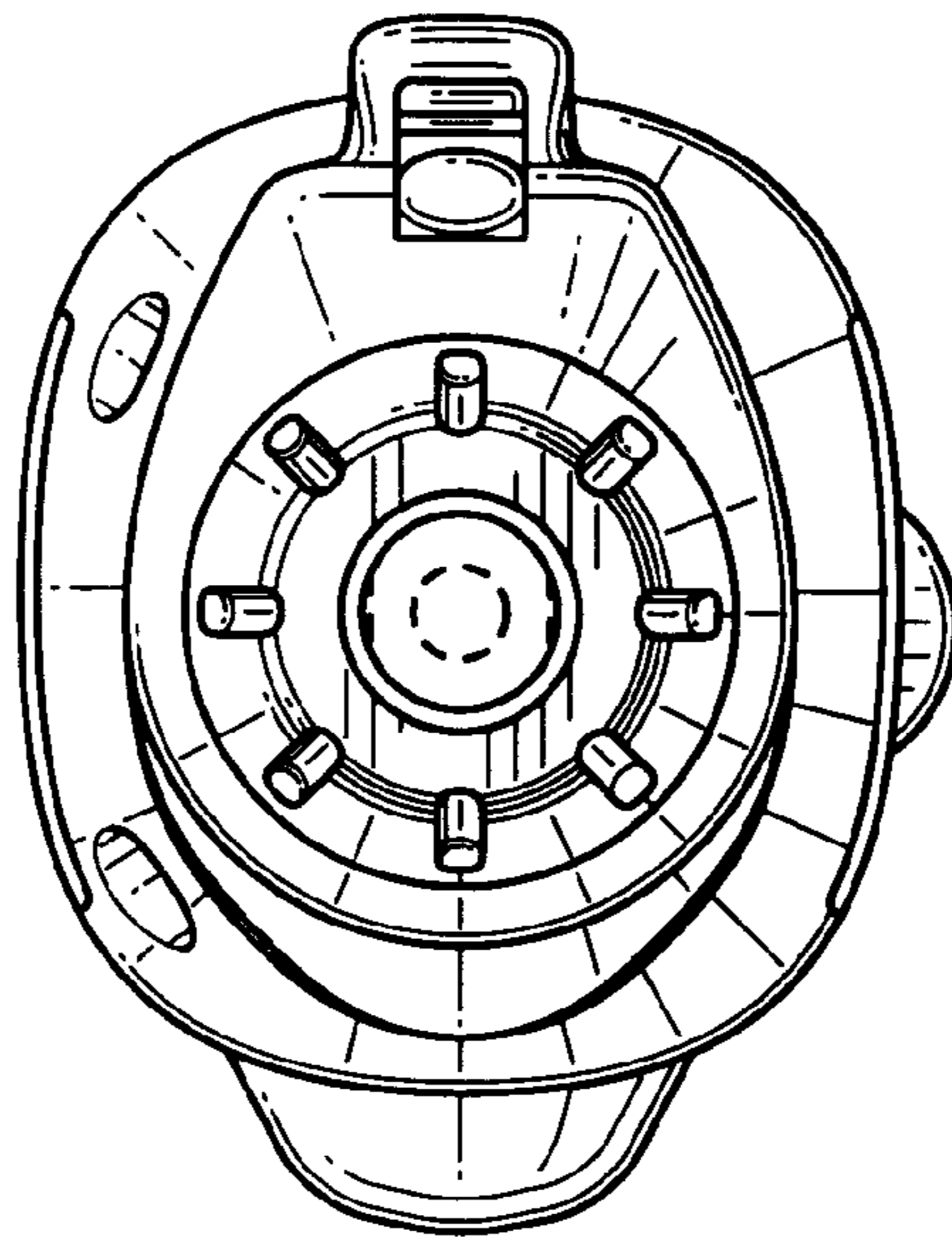


FIG. 6

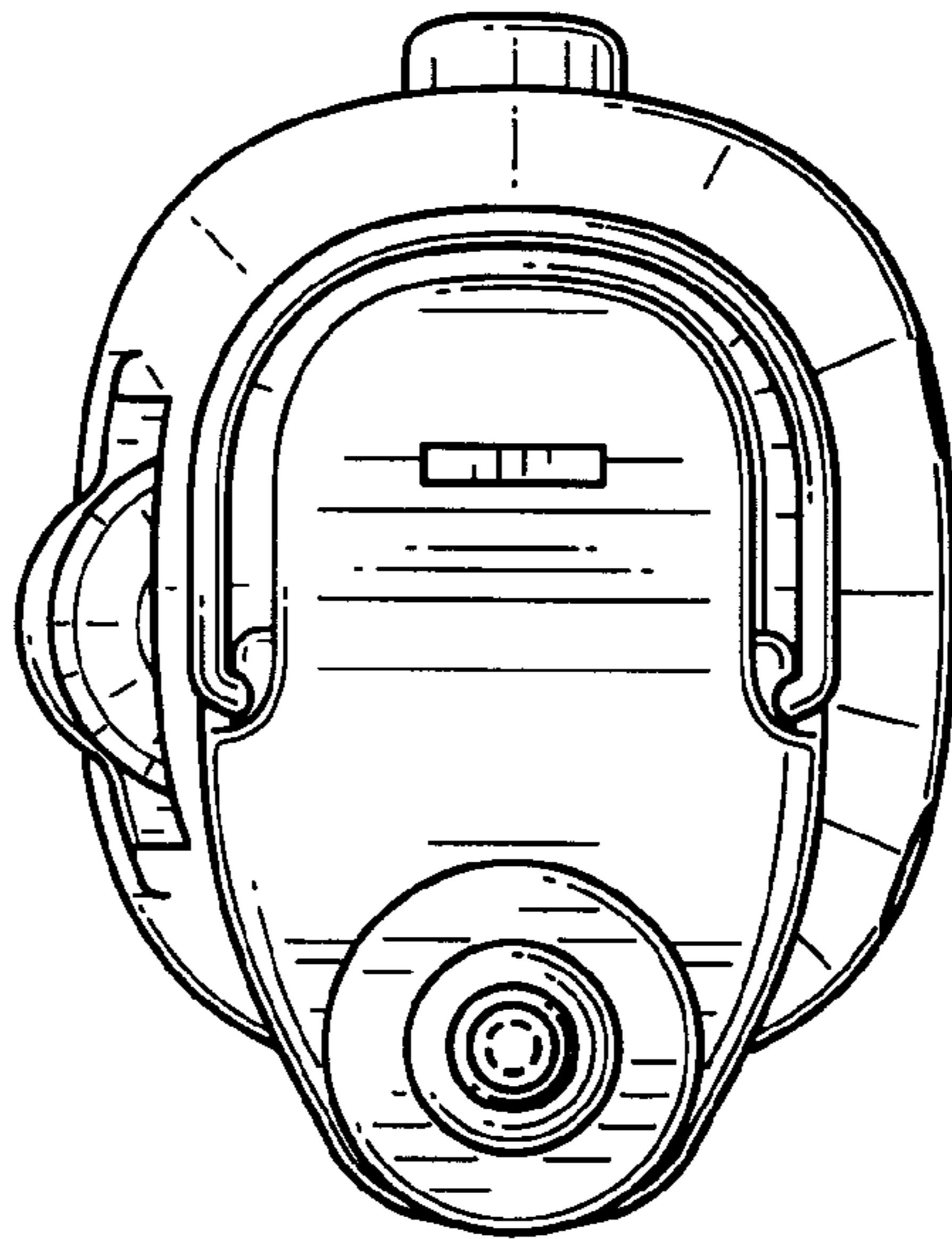


FIG. 7