



US00D433902S

United States Patent [19] Rivera

[11] **Patent Number: Des. 433,902**

[45] **Date of Patent: ** Nov. 21, 2000**

[54] **FORWARD PART OF A PAIR OF JAWS FOR FOLDING PLIERS**

Leatherman Tool Group, Inc., The Original Leatherman PST II At least as early as Jul. 1995.

[75] Inventor: **Benjamin C. Rivera**, West Linn, Oreg.

Primary Examiner—Alan P. Douglas

[73] Assignee: **Leatherman Tool Group, Inc.**,
Portland, Oreg.

Assistant Examiner—Reid Hecker

Attorney, Agent, or Firm—Chernoff, Vilhauer, McClung & Stenzel, LLP

[**] Term: **14 Years**

[57] **CLAIM**

[21] Appl. No.: **29/099,875**

The ornamental design for forward part of a pair of jaws for folding pliers, as shown and described.

[22] Filed: **Jan. 29, 1999**

DESCRIPTION

[51] **LOC (7) Cl.** **08-05**

[52] **U.S. Cl.** **D8/52**

[58] **Field of Search** D8/51, 52, 55,
D8/58, 105; 81/385, 405, 407, 408, 409,
411, 415, 416, 417, 418, 427.5; 7/125

FIG. 1 is an isometric view from the upper left rear of a forward part of a pair of jaws for folding pliers showing my new design, wherein the broken line depictions of a rearward part of the jaws and of a pair of pliers handles are shown for illustrative purposes and form no part of the claimed design;

[56] **References Cited**

U.S. PATENT DOCUMENTS

D. 368,634	4/1996	Frazer	D8/105
D. 385,168	10/1997	Rivera	D8/52
5,212,844	5/1993	Sessions et al.	71/128
5,745,997	5/1998	Berg et al.	30/155

FIG. 2 is a top plan view of the forward part of a pair of jaws for folding pliers shown in FIG. 1, the bottom plan view thereof being identical therewith;

FIG. 3 is a left side elevational view thereof, the right side view being identical therewith;

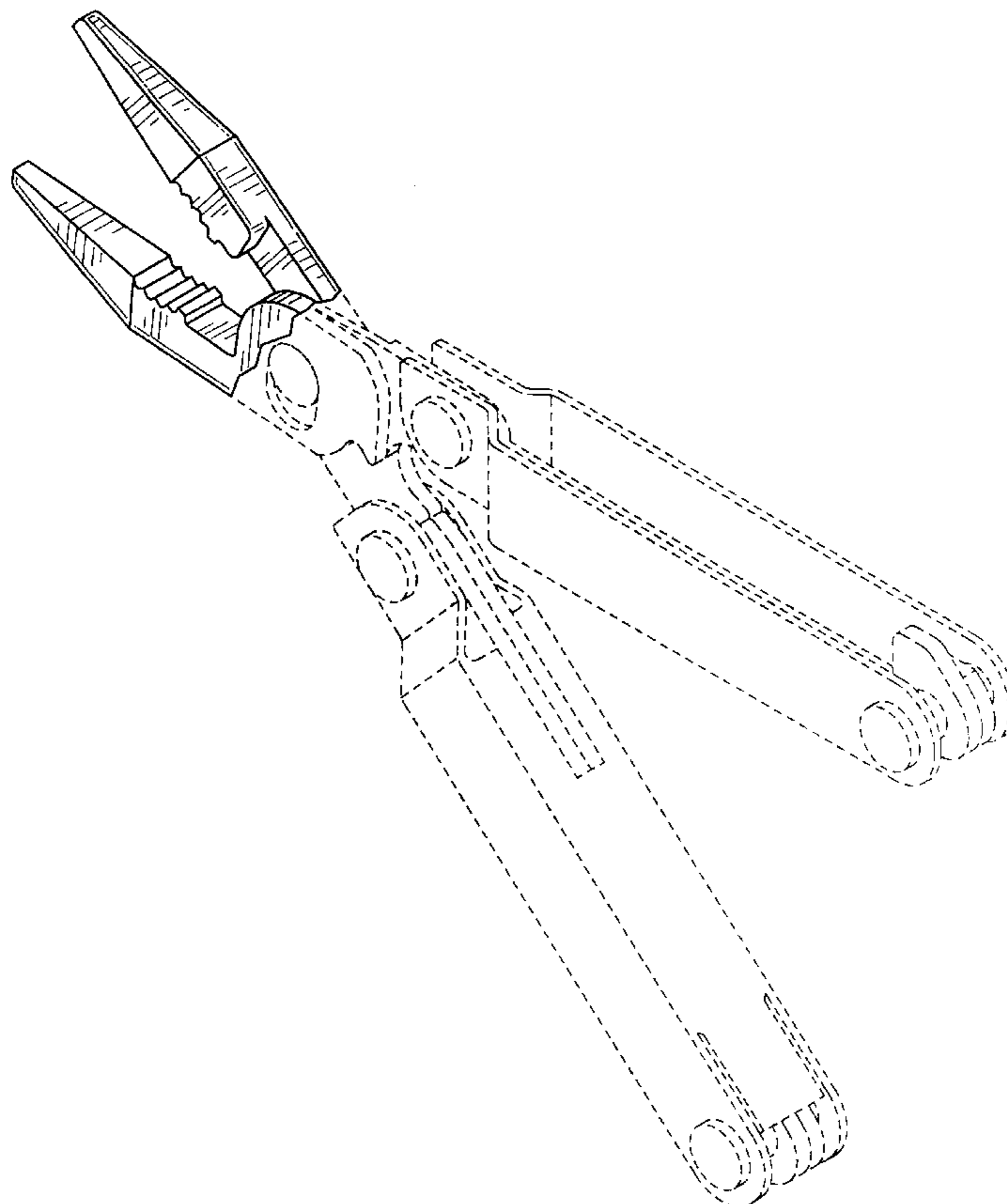
OTHER PUBLICATIONS

Coast Cutlery Co., Micro-Pliers 12 in 1 Folding Tool MP2075CP At least as early as Aug. 18, 1998.
Royal International Corp., KC Pro 95120 12 in 1 Pocket Multi-Tool At least as early as Aug. 18, 1998.

FIG. 4 is a front, or jaw tip, end elevational view thereof; and,

FIG. 5 is a rear end elevational view thereof.

1 Claim, 1 Drawing Sheet



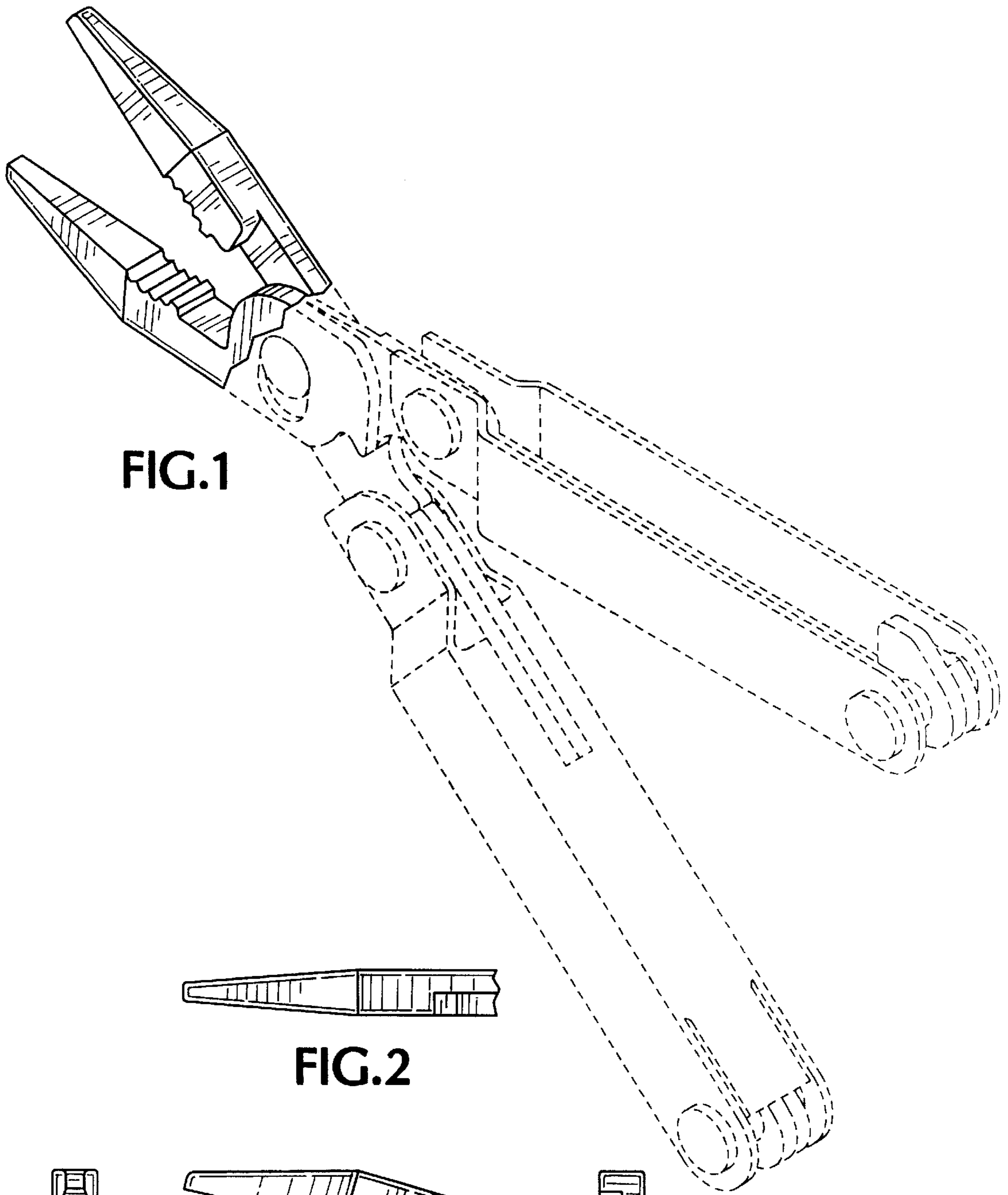


FIG.1

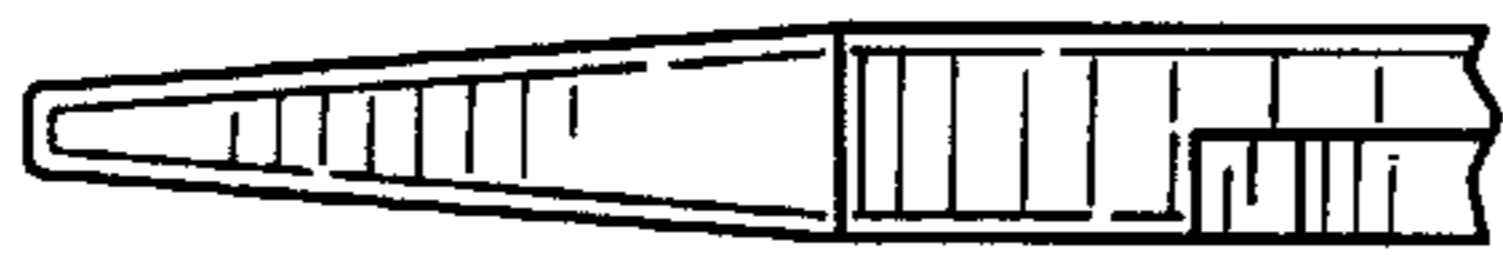


FIG.2



FIG.4

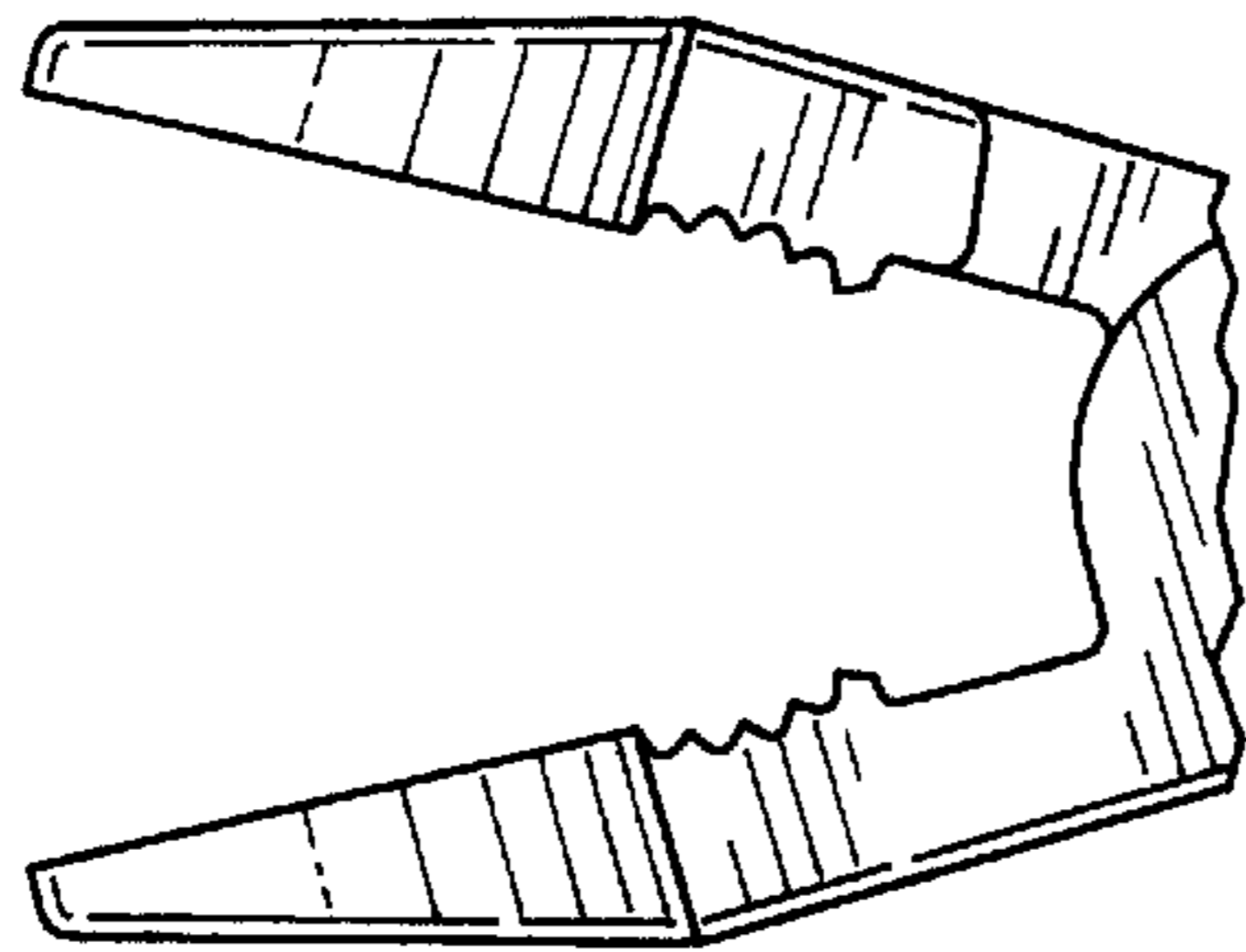


FIG.3



FIG.5