



US00D433894S

**United States Patent** [19]  
**Mathis**

[11] **Patent Number: Des. 433,894**

[45] **Date of Patent: \*\* Nov. 21, 2000**

[54] **RATCHET TAP WRENCH**

*Primary Examiner*—Richelle Shelton

[76] Inventor: **Don L Mathis**, 3058 Hwy. 11 North,  
Attalla, Ala. 35954

[57] **CLAIM**

[\*\*] Term: **14 Years**

The ornamental design for a ratchet tap wrench, as shown and described.

[21] Appl. No.: **29/097,905**

**DESCRIPTION**

[22] Filed: **Dec. 17, 1998**

FIG. 1 is a disassembled front elevational view of the ratchet tap wrench of the present invention;

[51] **LOC (7) Cl.** ..... **08-05**

FIG. 2 is a disassembled rear elevational view of the ratchet tap wrench of FIG. 1;

[52] **U.S. Cl.** ..... **D8/25**

FIG. 3 is a disassembled left side elevational view of the ratchet tap wrench of FIG. 1;

[58] **Field of Search** ..... D8/21–29; 81/60–63,  
81/63.1, 63.2, 124.2, 124.7, 177.1, 177.2,  
177.75, 177.5, 177.6, 177.85, 177.7; 408/120,  
123, 239 R

FIG. 4 is a disassembled right side elevational view of the ratchet tap wrench of FIG. 1;

[56] **References Cited**

FIG. 5 is a disassembled top plan view of the ratchet tap wrench of FIG. 1;

**U.S. PATENT DOCUMENTS**

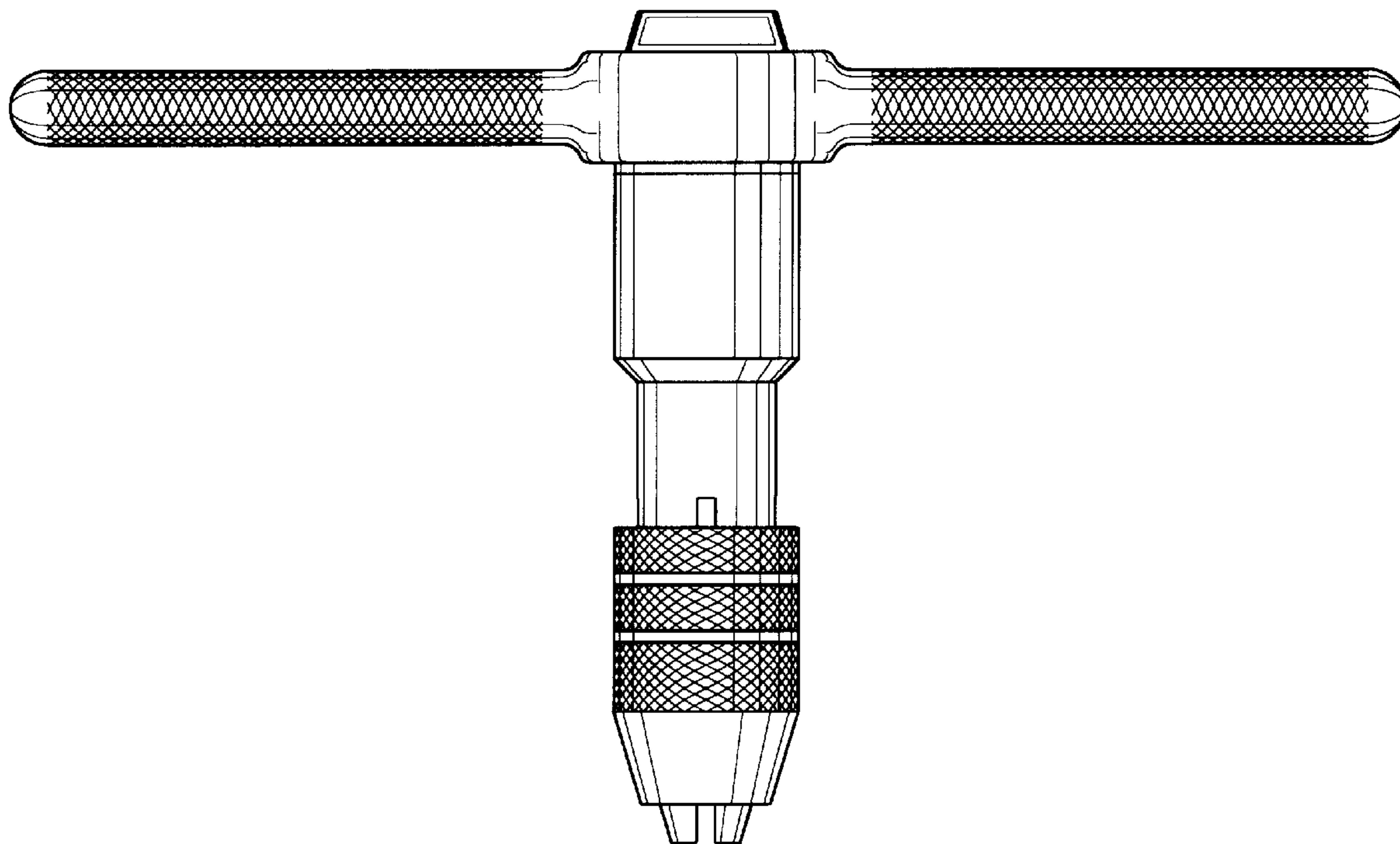
FIG. 6 is a disassembled bottom plan view of the ratchet tap wrench of FIG. 1; and,

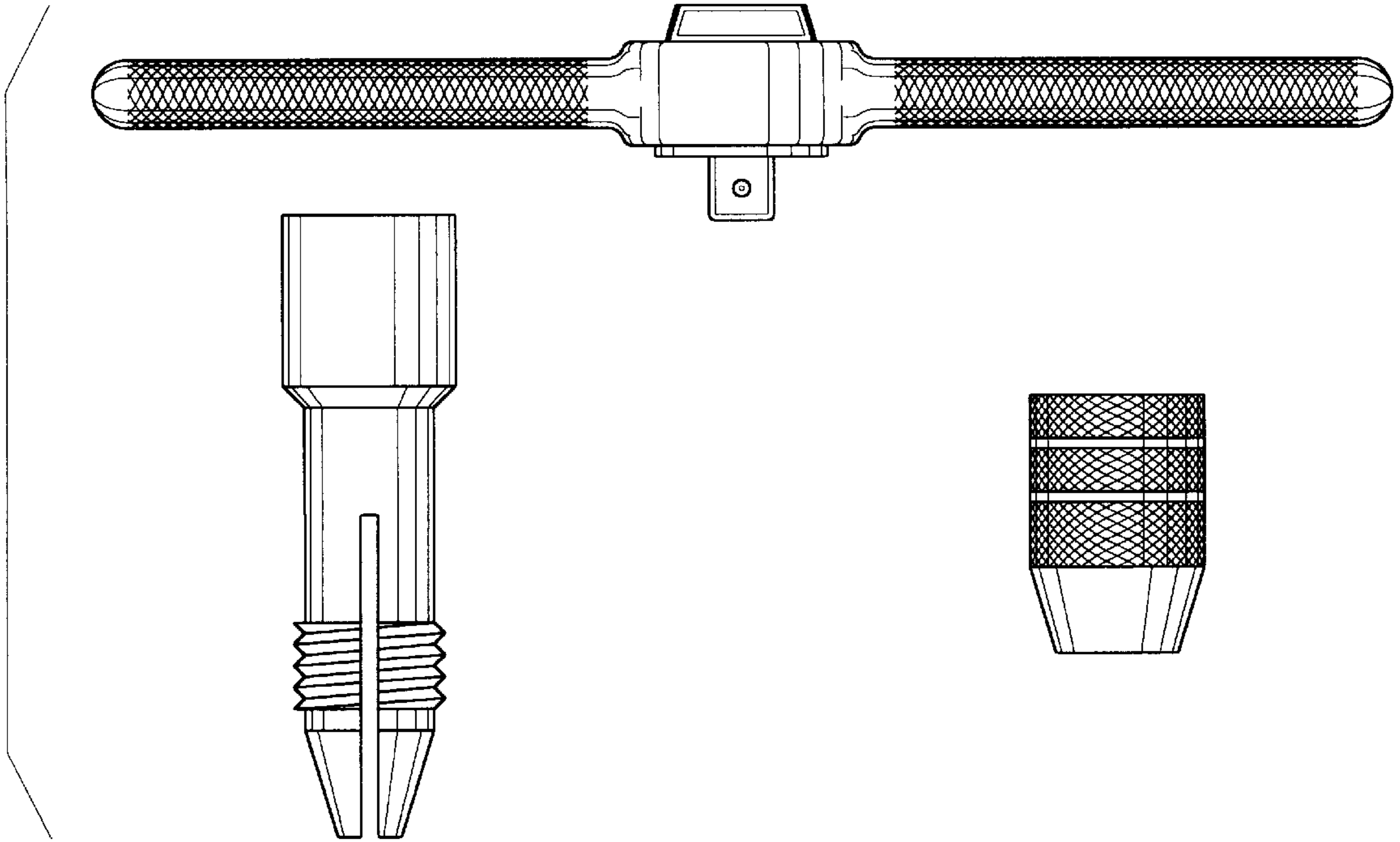
D. 349,024	7/1994	Doffe	.....	D8/14
3,738,768	6/1973	Kuhn	.....	81/177.6 X
3,753,625	8/1973	Fabrizio et al.	.....	408/239 R
4,097,182	6/1978	Rolnick	.....	408/239 R
4,799,832	1/1989	Abbott	.....	408/120 X
4,984,942	1/1991	Holtz	.....	81/177.75 X

FIG. 7 is an assembled front elevational view of the ratchet tap wrench of FIG. 1.

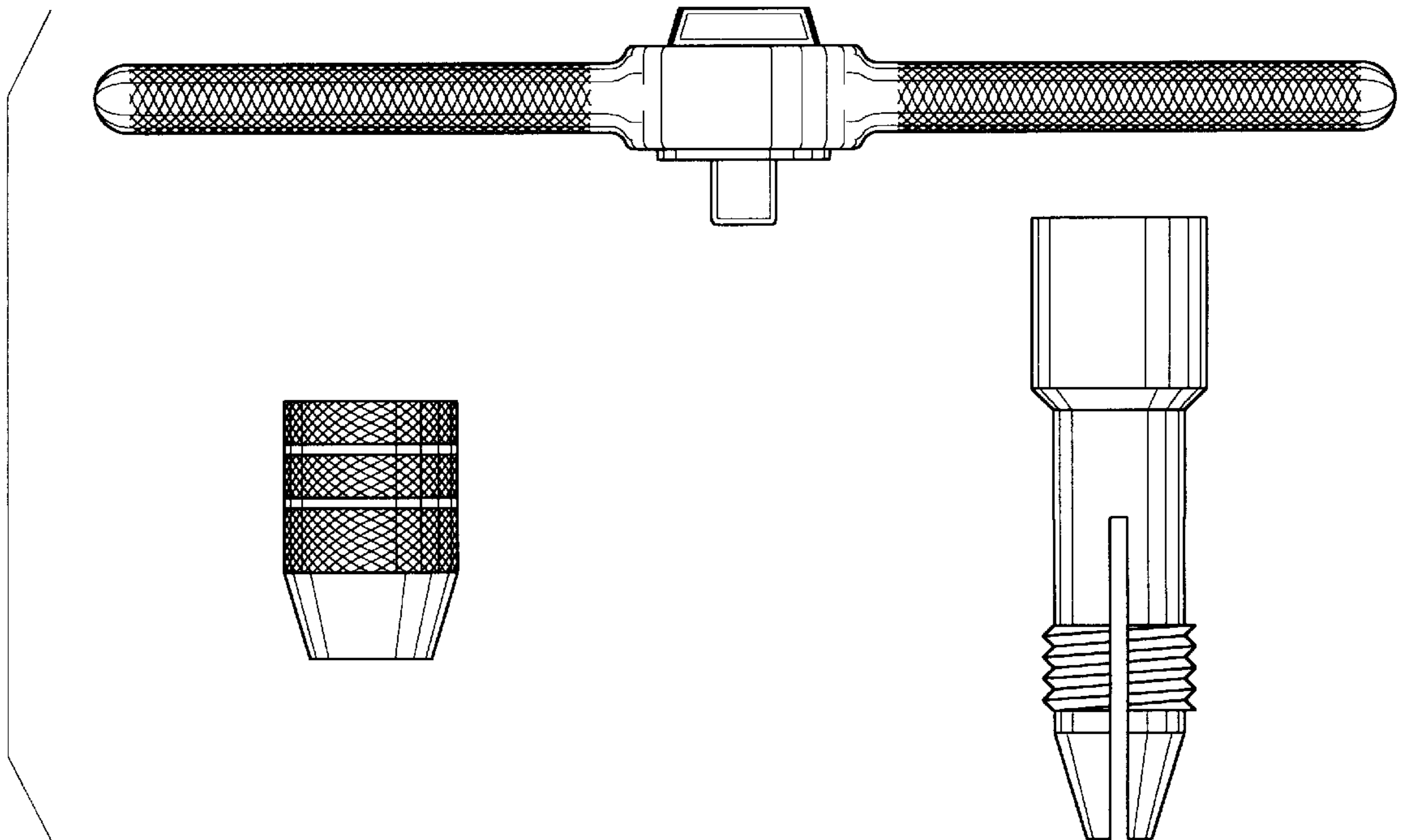
The ratchet tap wrench is shown disassembled in FIGS. 1–6 for clarity of illustration.

**1 Claim, 4 Drawing Sheets**

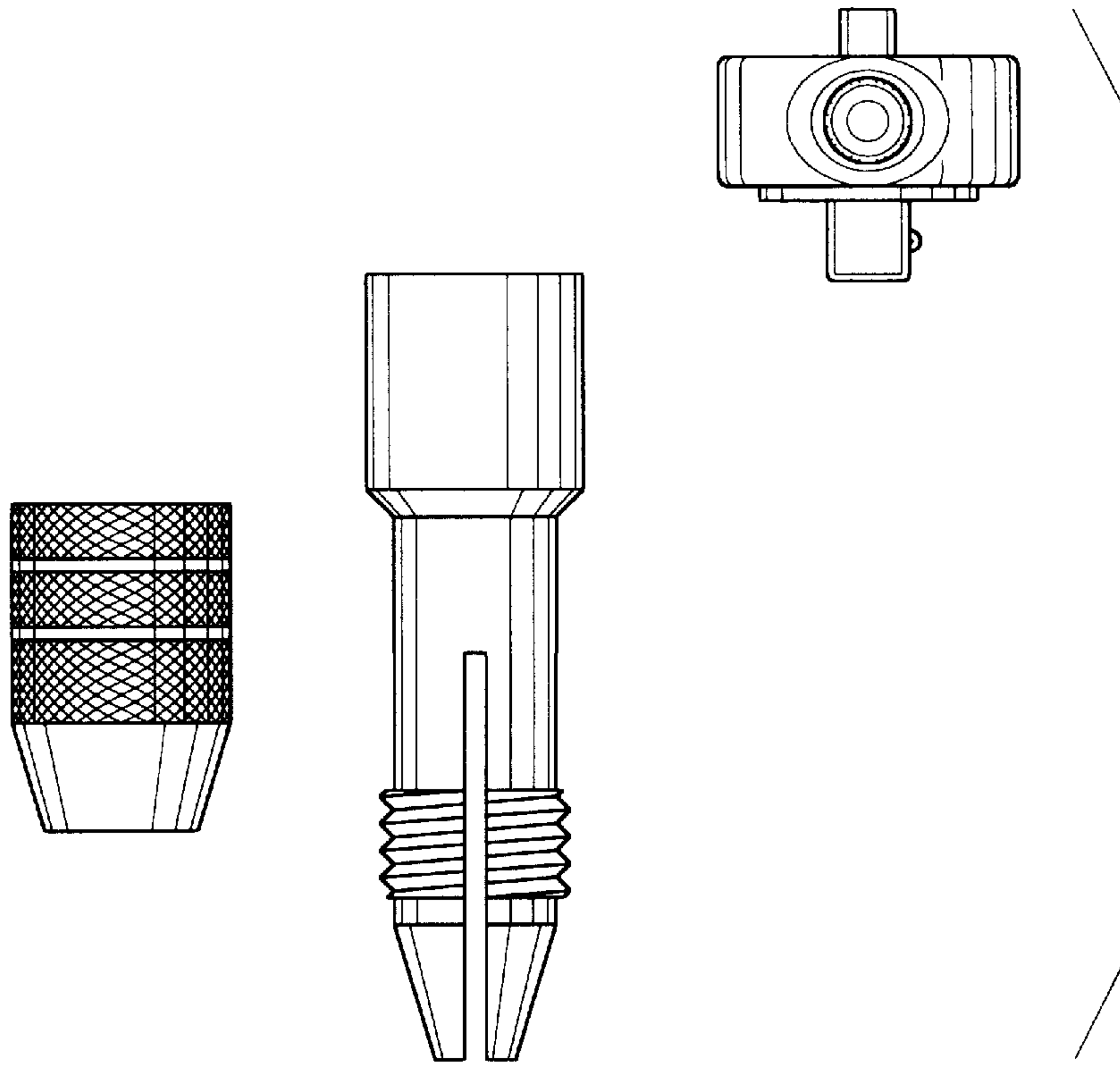




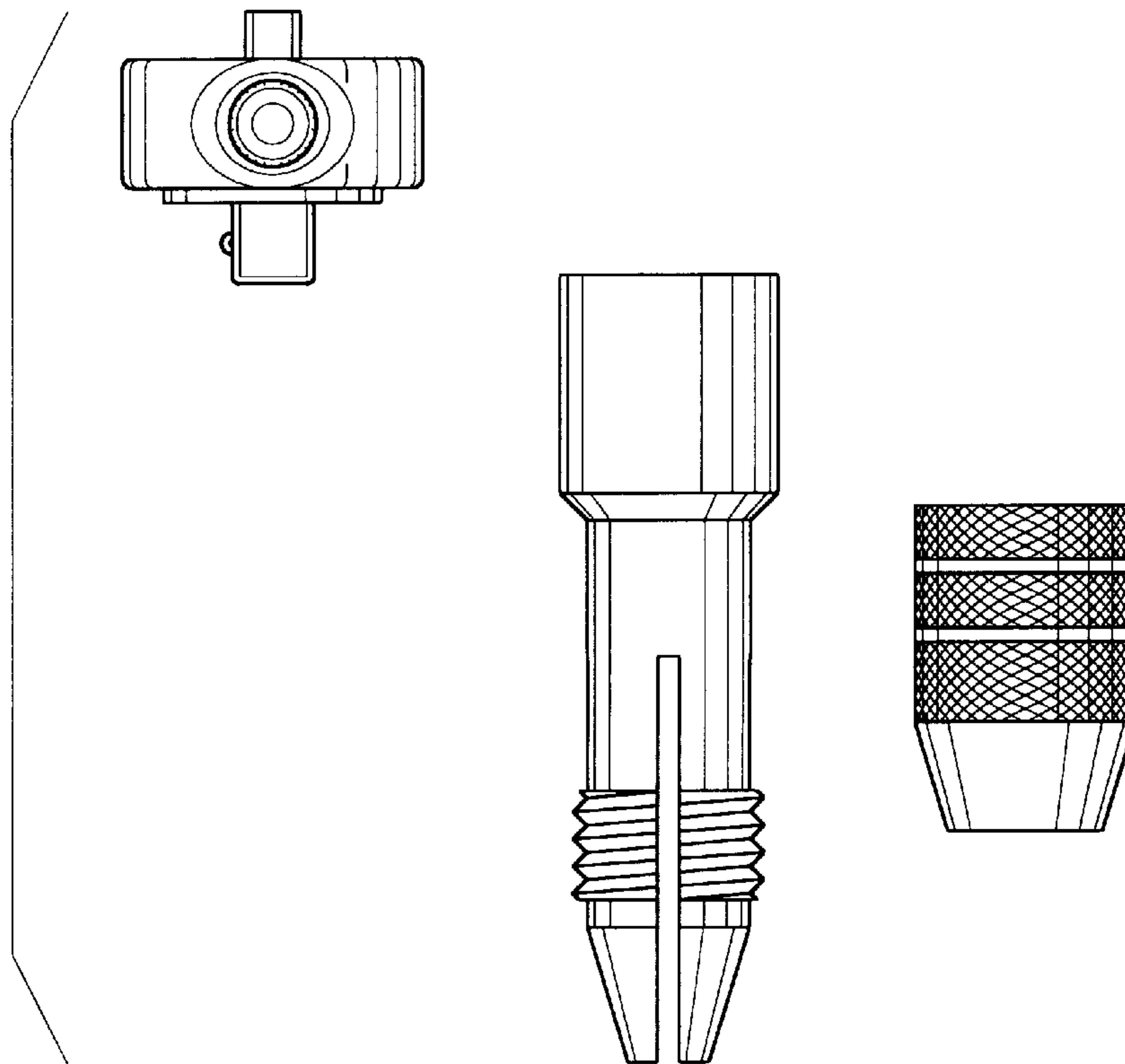
*Fig. 1*



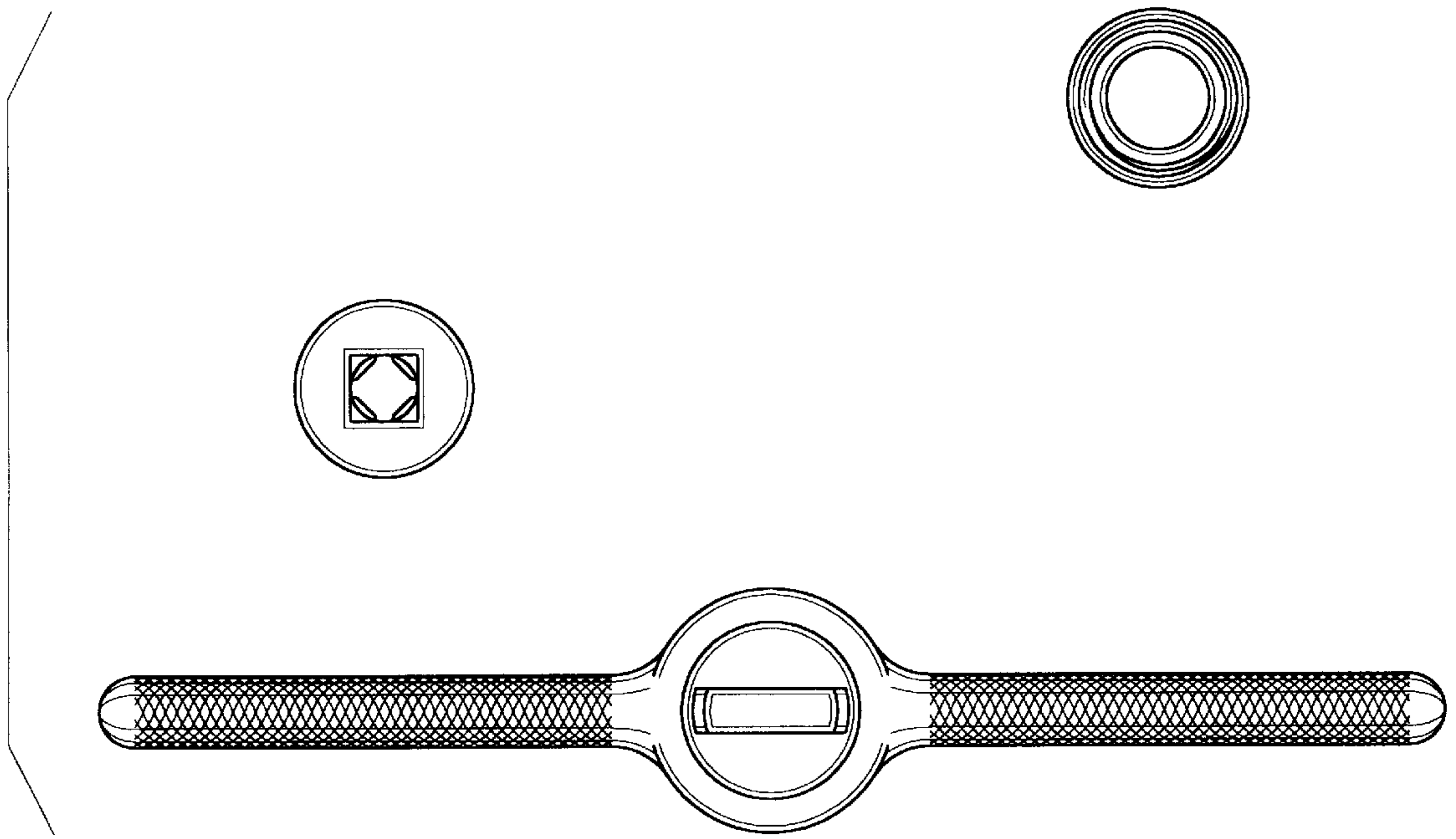
*Fig. 2*



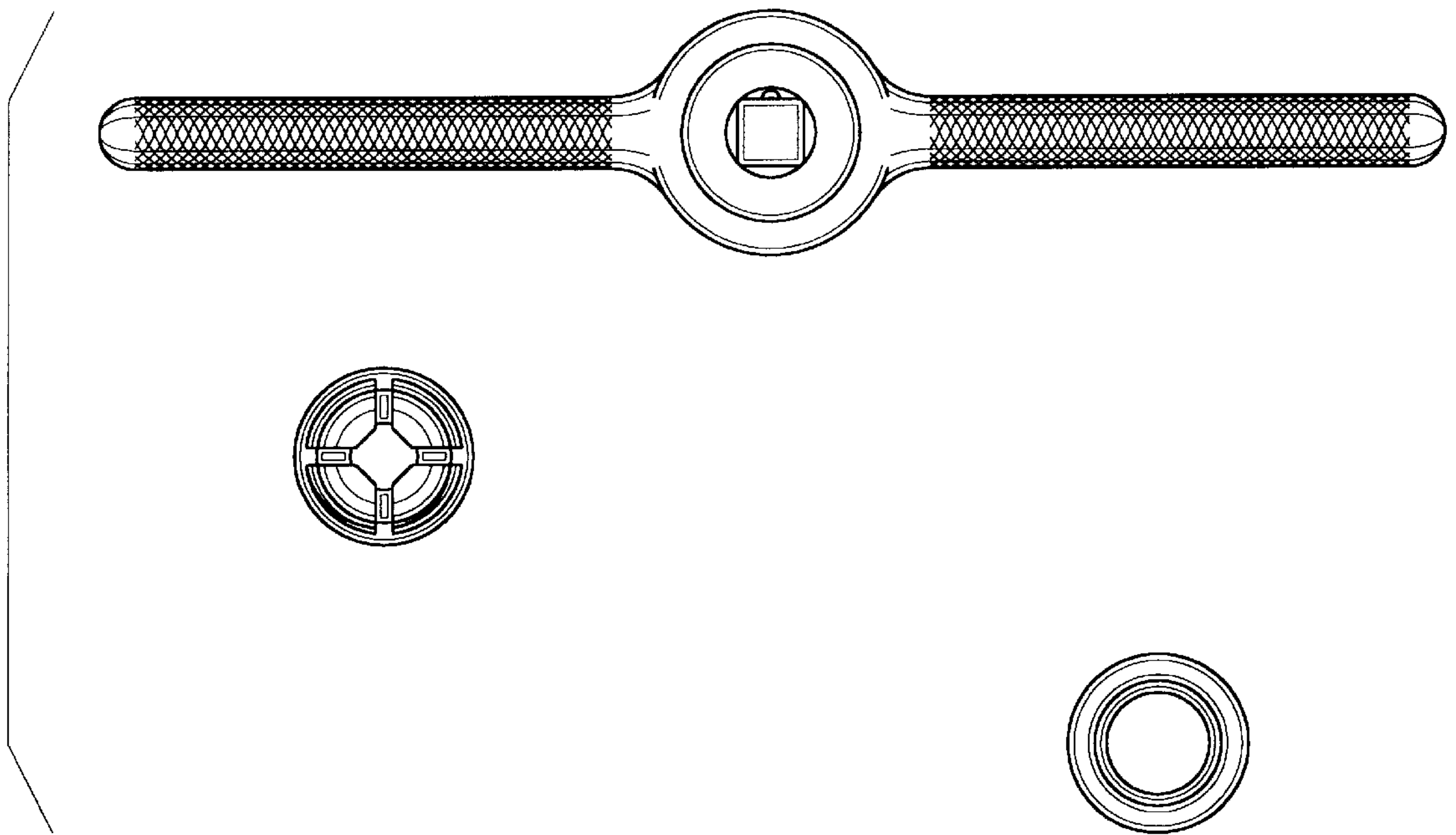
*Fig. 3*



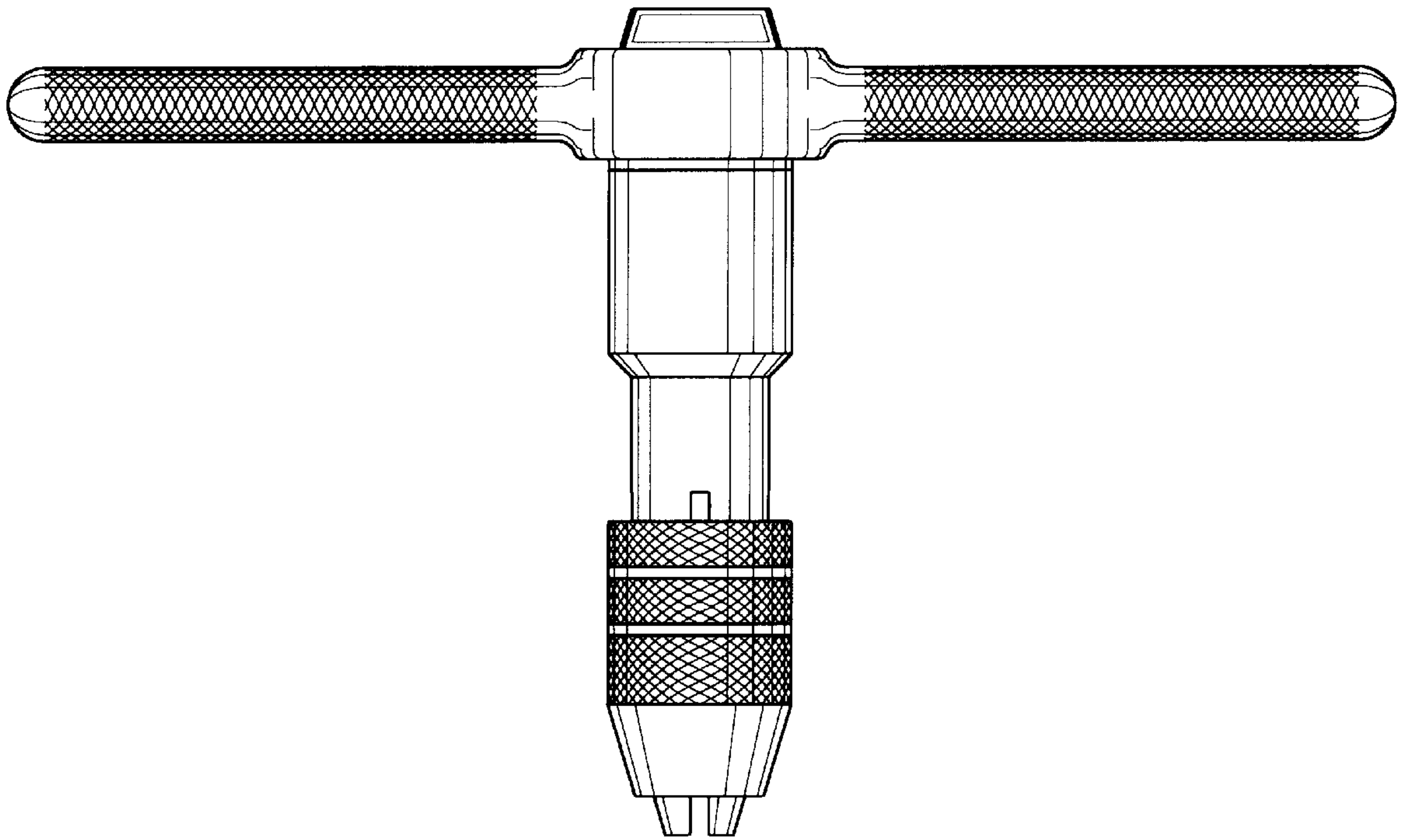
*Fig. 4*



*Fig. 5*



*Fig. 6*



*Fig. 7*