



US00D433891S

United States Patent [19] Merritt

[11] Patent Number: **Des. 433,891**

[45] Date of Patent: **** Nov. 21, 2000**

[54] **BOTTLE LIFTER**

[76] Inventor: **James A. Merritt**, P.O. Box 206,
Pleasanton, Calif. 94566

[**] Term: **14 Years**

[21] Appl. No.: **29/105,889**

[22] Filed: **Jun. 2, 1999**

[51] **LOC (7) Cl.** **08-05**

[52] **U.S. Cl.** **D8/14; D9/455**

[58] **Field of Search** **D8/14, 107; D9/455;**
D34/28; 294/28, 87.22, 87.28, 15, 27.1,
31.1, 31.2, 92

[56] **References Cited**

U.S. PATENT DOCUMENTS

D. 334,888	4/1993	Merritt	D9/455
D. 340,789	10/1993	Merritt	D8/14
1,411,695	4/1922	Hackett	.	
1,777,102	9/1930	Mooney	294/28
2,063,805	12/1936	Goetting	294/31.2
2,067,124	1/1937	Hoffman	294/87.28
2,140,314	12/1938	Doscher	294/87.28
2,308,744	1/1943	Buys	294/28
2,363,950	11/1944	Fearon	294/87.22
2,372,107	3/1945	Natho	.	
2,404,625	7/1946	Druhot	294/87.22
2,406,696	8/1946	Leslie	.	
2,409,684	10/1946	Jenkins	294/87.22
2,534,512	12/1950	Fulton	294/28
2,806,731	9/1957	Comstock, Jr.	.	
3,101,211	8/1963	Jones	.	
3,520,570	7/1970	Christopher et al.	.	
3,708,196	1/1973	Snell	.	
3,963,206	6/1976	Scolaro et al.	.	
4,236,743	12/1980	Fox	294/28
4,273,246	6/1981	Thompson	.	
4,456,135	6/1984	Beekes	.	
4,565,397	1/1986	Keen	.	
4,753,474	6/1988	Radford	.	
4,754,893	7/1988	Dunn	.	
4,856,834	8/1989	Lancaster et al.	.	

4,936,614	6/1990	Russell	.	
5,085,477	2/1992	Gagnon	294/28
5,667,265	9/1997	Gebhard	294/27.1
5,752,732	5/1998	Beaton et al.	294/27.1
5,957,513	9/1999	Merritt	294/15

FOREIGN PATENT DOCUMENTS

1564018	3/1968	France	.	
2585676	7/1985	France	.	
165764	4/1950	Germany	.	
707856	1/1980	U.S.S.R.	.	
WO 83/02101	6/1983	WIPO	.	

OTHER PUBLICATIONS

Product Brochure entitled "The All New Bottle Caddy II®" M&B Manufacturing, 4141 Foothill Road, Pleasanton, CA 94588, 2 pages total.

Product Brochure entitled "Bottle Mate 2®" Manufacturer: Port-O-Clamp, Inc., Distributor: Bottle Mate ® P.O. Box 267, Port Hueneme, CA 93044, 2 pages total.

Primary Examiner—Philip S. Hyder
Attorney, Agent, or Firm—Townsend and Townsend and Crew LLP

[57] **CLAIM**

The ornamental design for a bottle lifter, as shown and described.

DESCRIPTION

FIG. 1 is a perspective view of a bottle lifter showing my new design;

FIG. 2 is a top plan view thereof;

FIG. 3 is a front elevational view thereof;

FIG. 4 is a left side elevational view thereof;

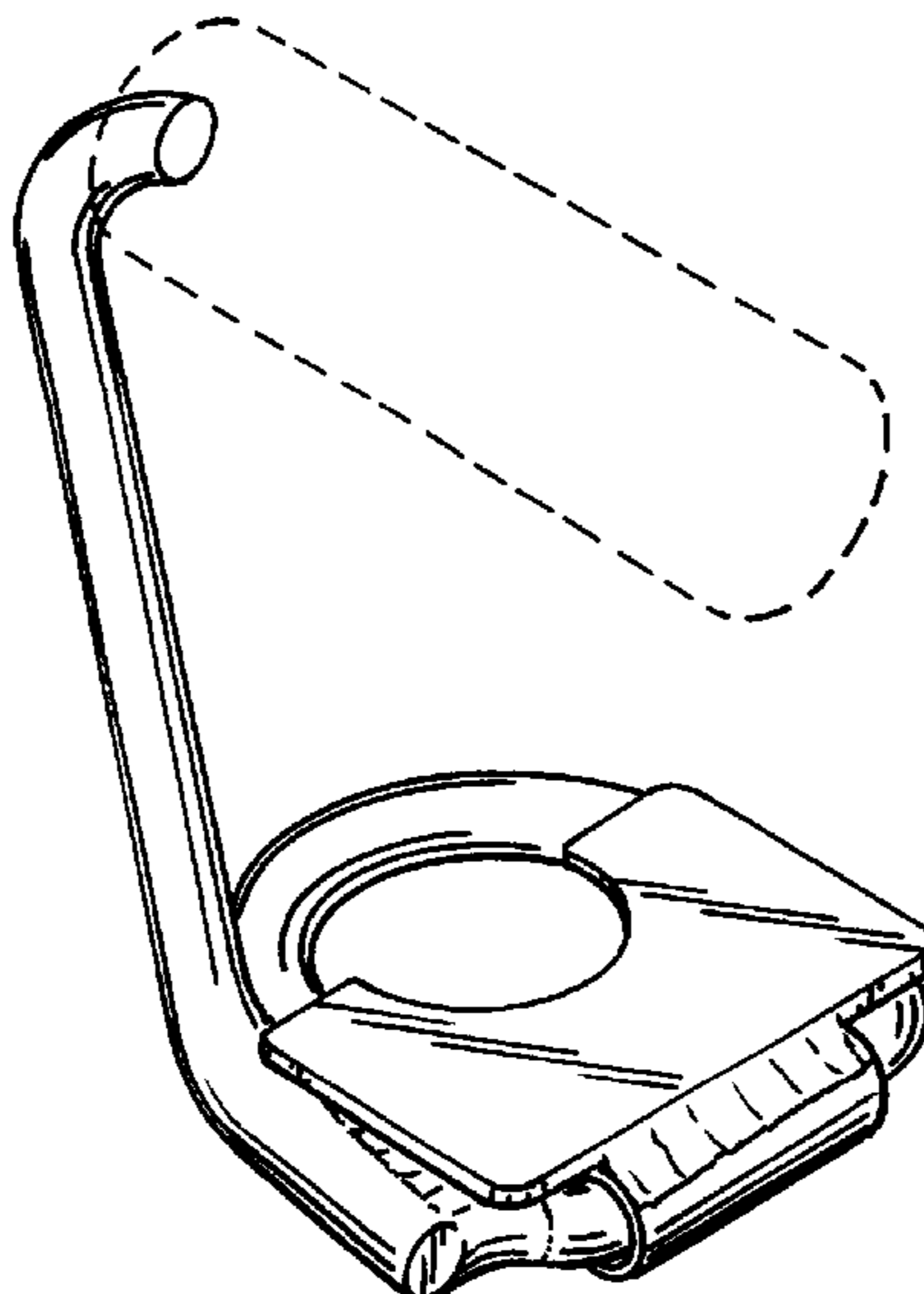
FIG. 5 is a right side elevational view thereof;

FIG. 6 is a rear elevational view thereof; and,

FIG. 7 is a bottom plan view thereof.

The broken line showing of the handle is for illustrative purposes only and forms no part of the claimed design.

1 Claim, 2 Drawing Sheets



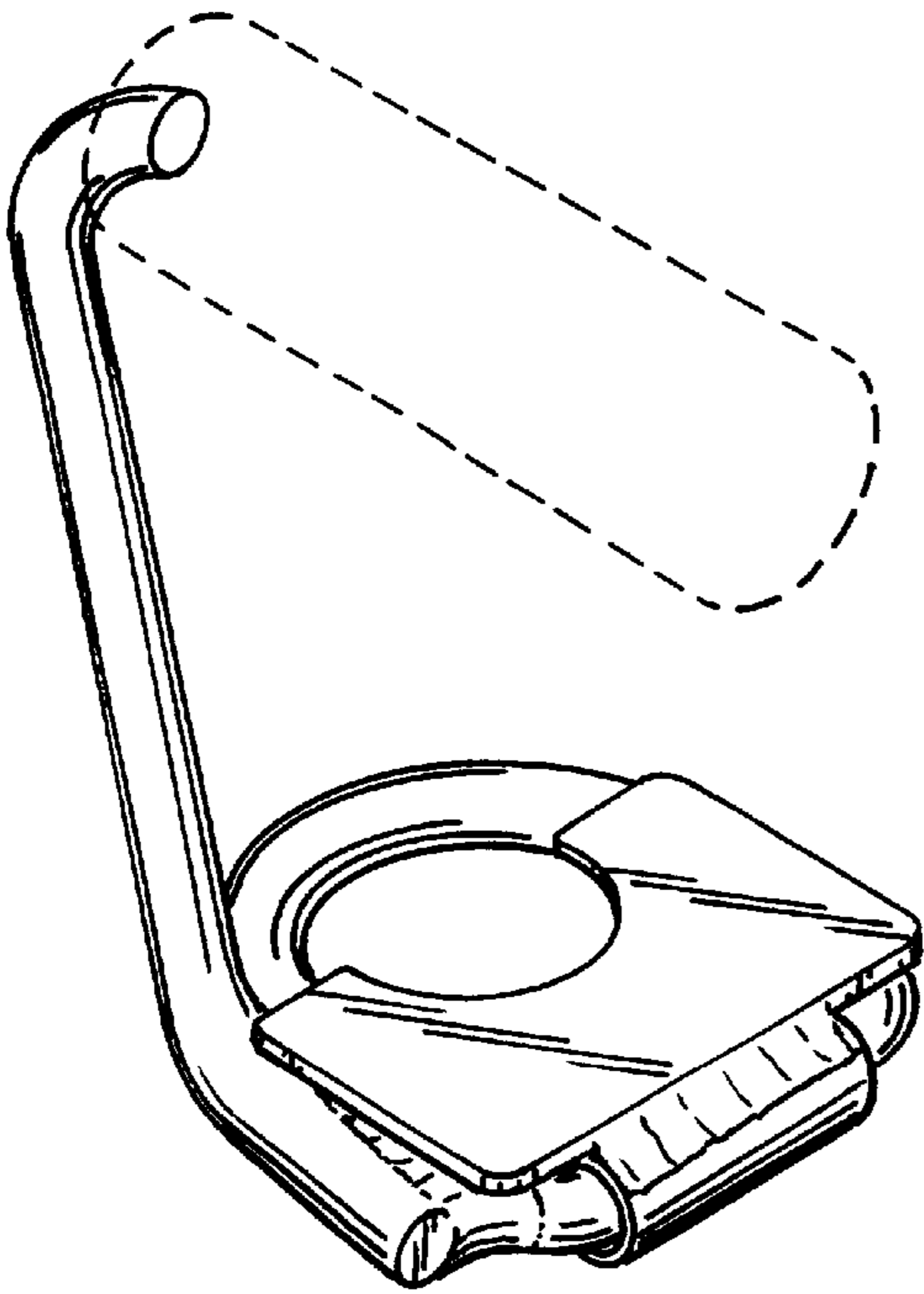


FIG. 1.

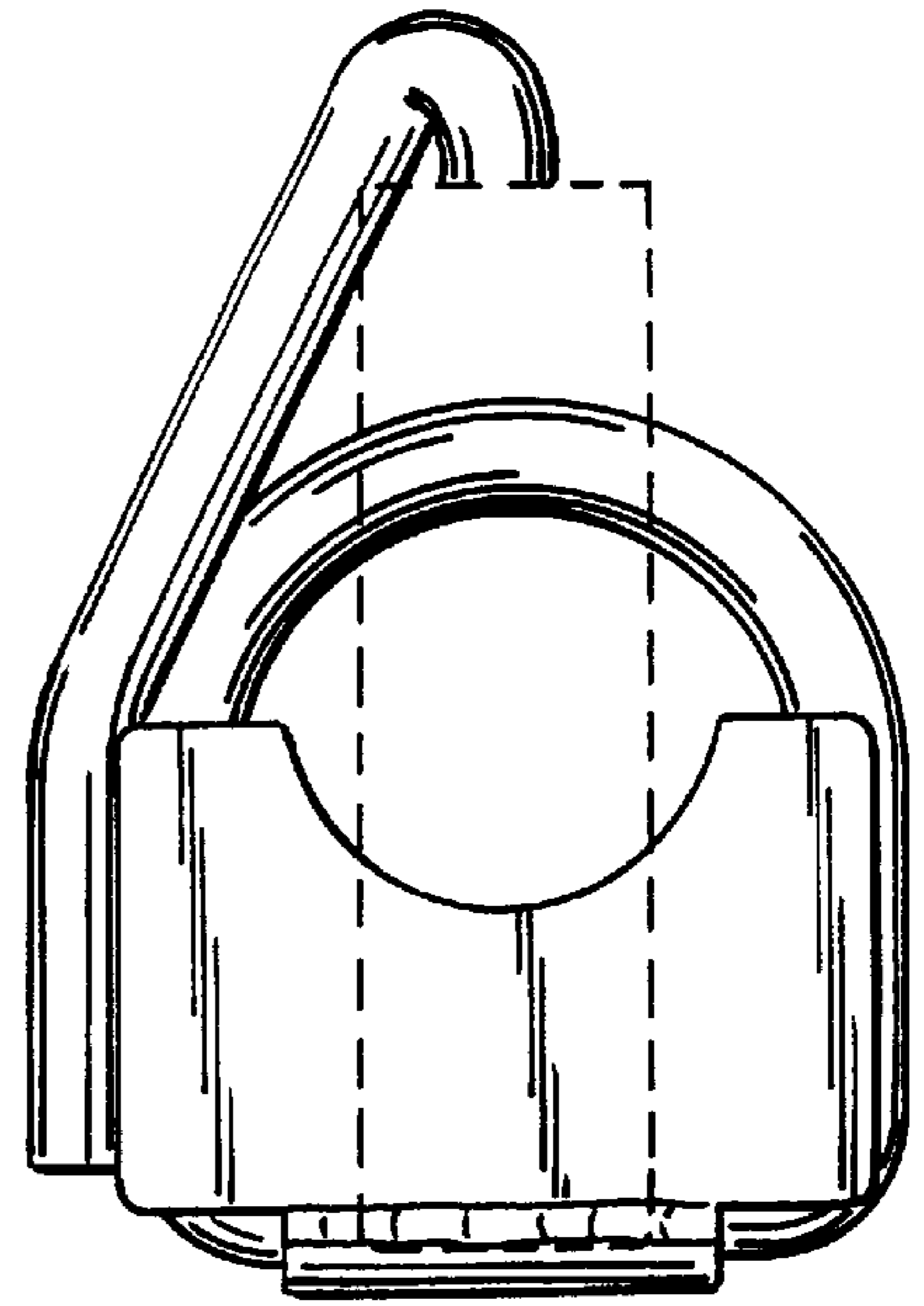


FIG. 2.

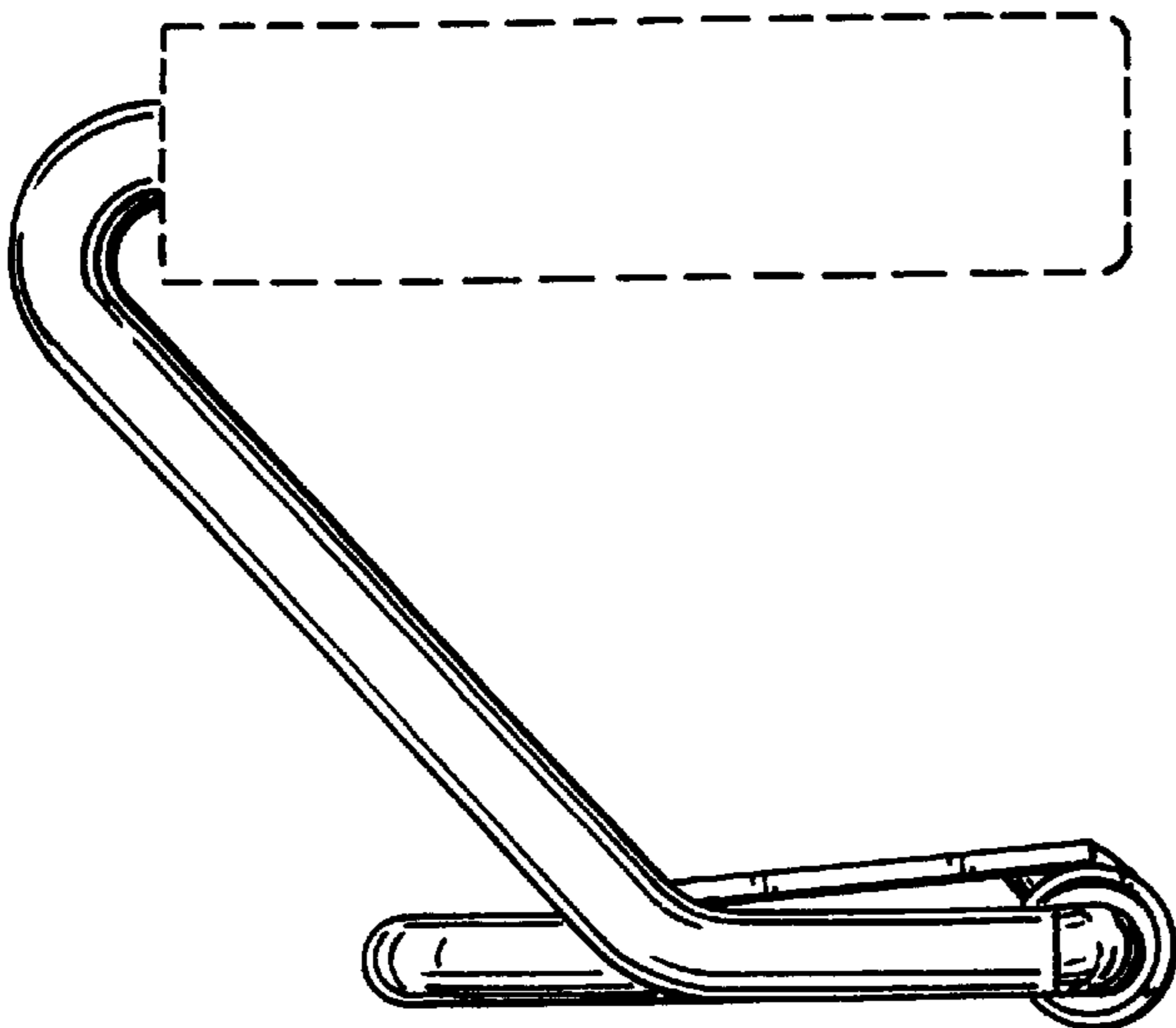


FIG. 4.

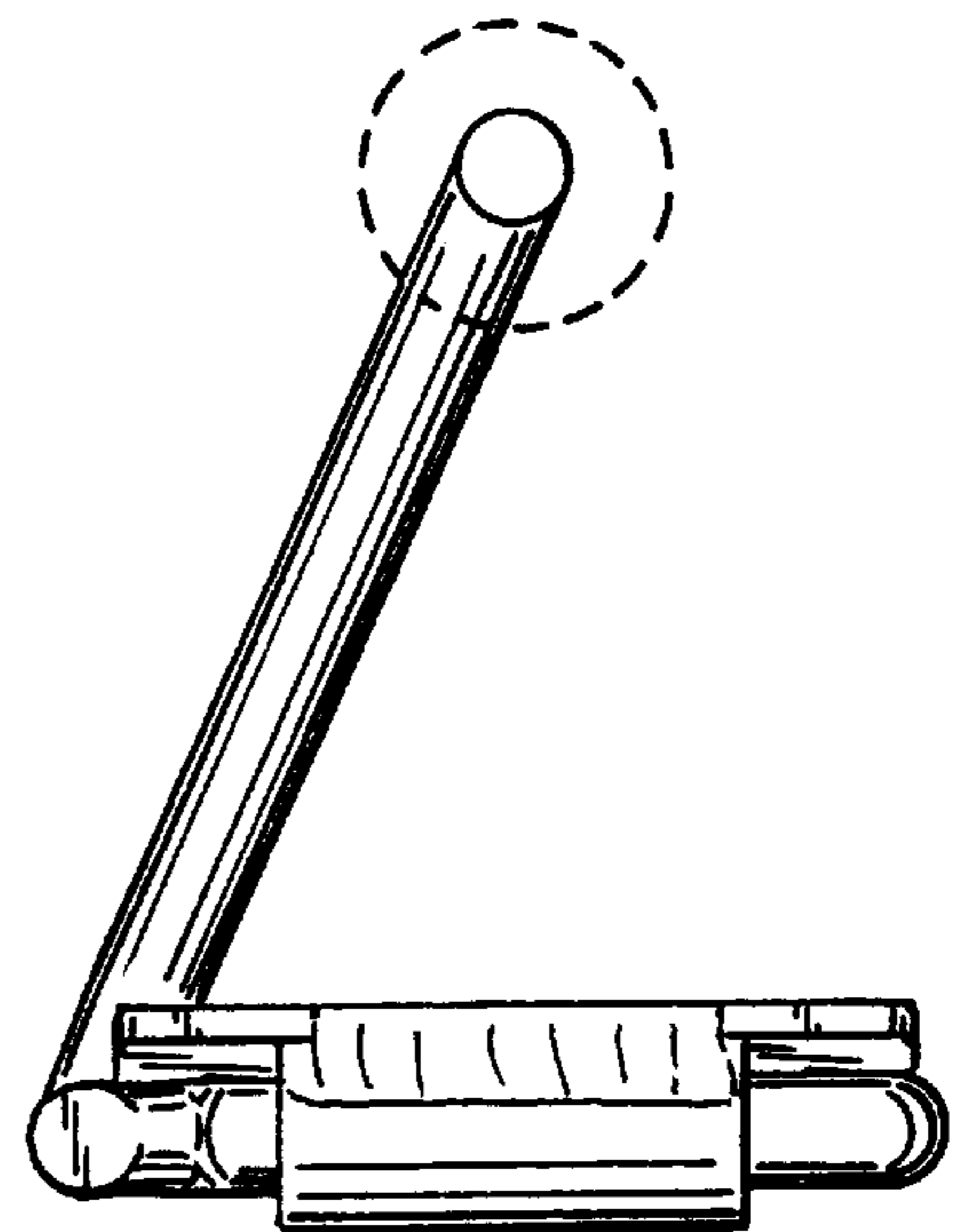


FIG. 3.

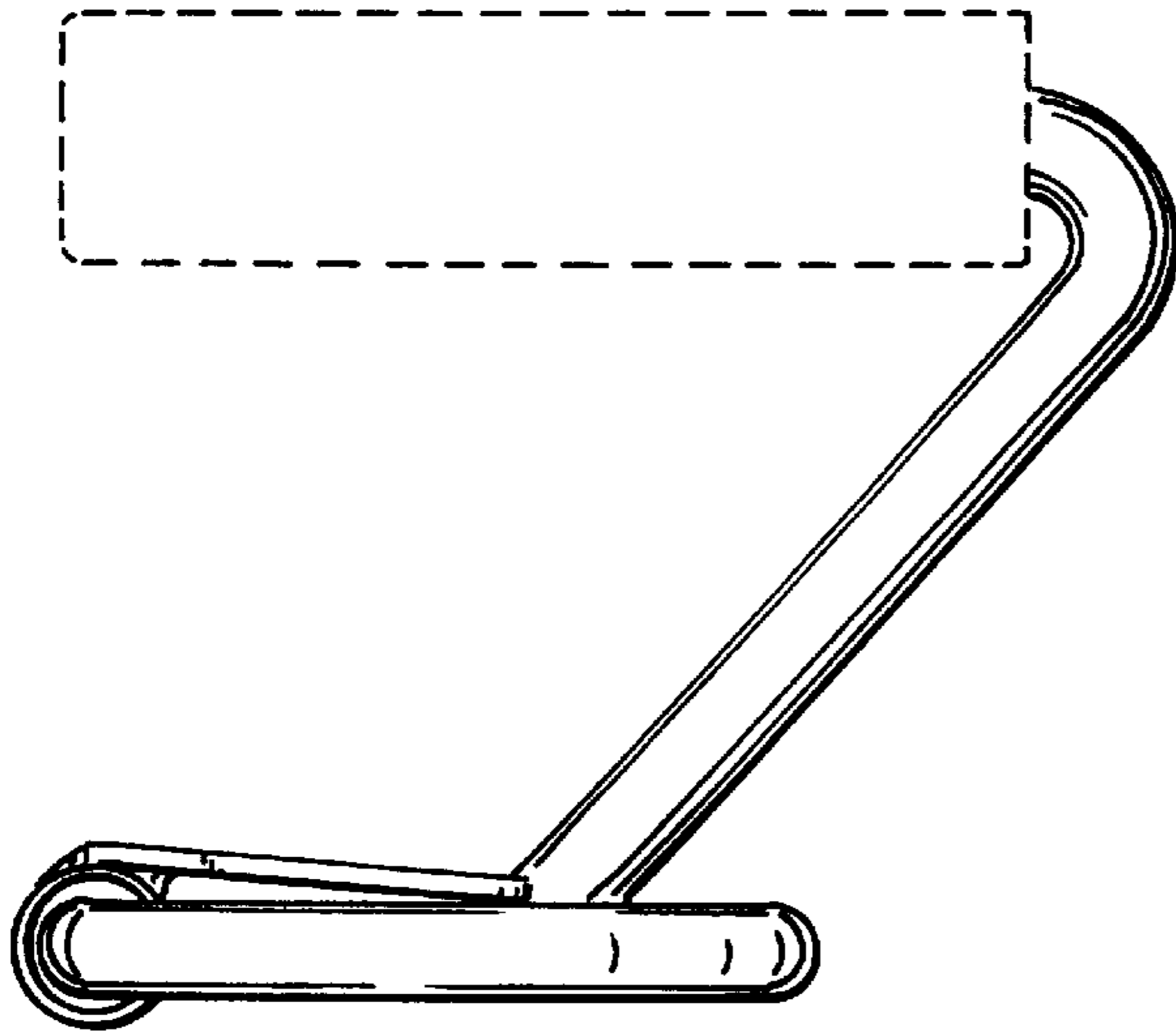


FIG. 5.

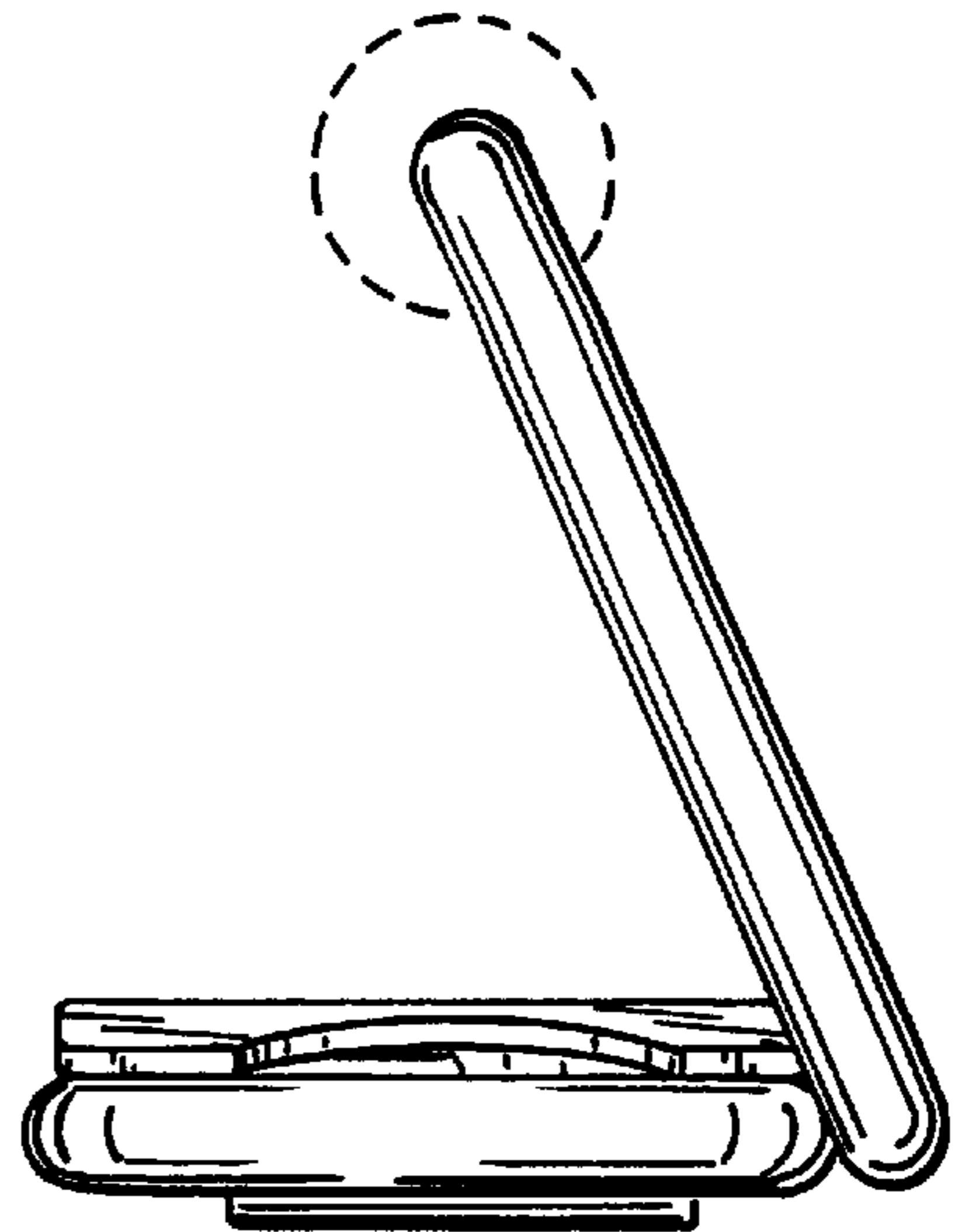


FIG. 6.

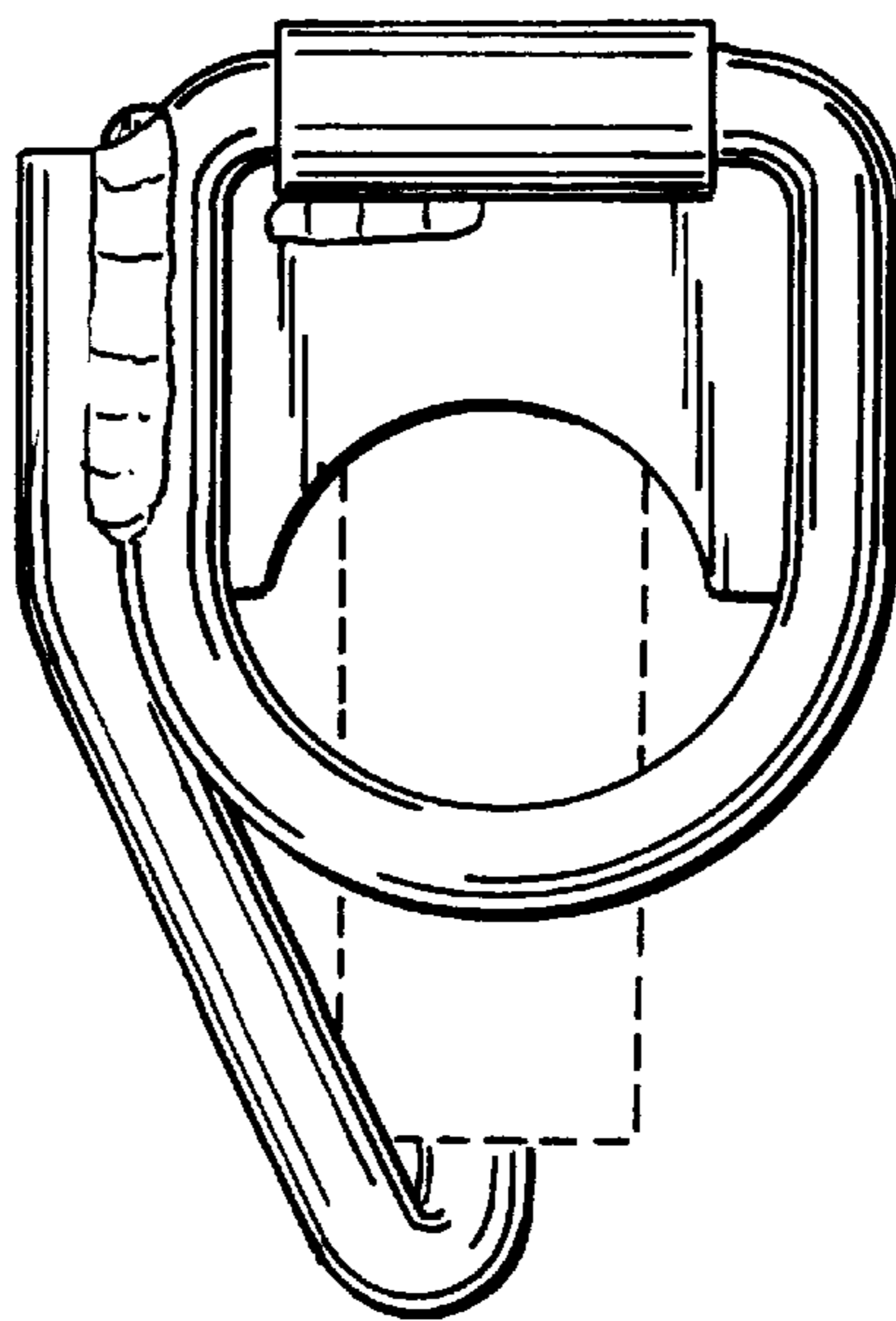


FIG. 7.