



US00D433889S

United States Patent [19] Spear

[11] **Patent Number: Des. 433,889**

[45] **Date of Patent: ** Nov. 21, 2000**

[54] **SNOW SHOVEL**

D. 417,826 12/1999 Yacobi et al. D8/10

[75] Inventor: **Kenneth J. Spear**, Vienna, W. Va.

Primary Examiner—Robin V. Taylor
Attorney, Agent, or Firm—W. Warren Taltavull; Farkas & Manelli PLLC

[73] Assignee: **O. Ames Co.**, Parkersburg, W. Va.

[**] Term: **14 Years**

[57] CLAIM

[21] Appl. No.: **29/112,910**

The ornamental design for a snow shovel, as shown and described.

[22] Filed: **Oct. 26, 1999**

DESCRIPTION

[51] **LOC (7) Cl.** **08-01**

FIG. 1 is a front perspective view of a snow shovel embodying my design;

[52] **U.S. Cl.** **D8/10**

FIG. 2 is a front view in elevation;

[58] **Field of Search** D8/1, 10; 294/49,
294/54.5, 55, 56

FIG. 3 is a rear view in elevation;

FIG. 4 is a side view in elevation, the opposite side being identical;

[56] References Cited

U.S. PATENT DOCUMENTS

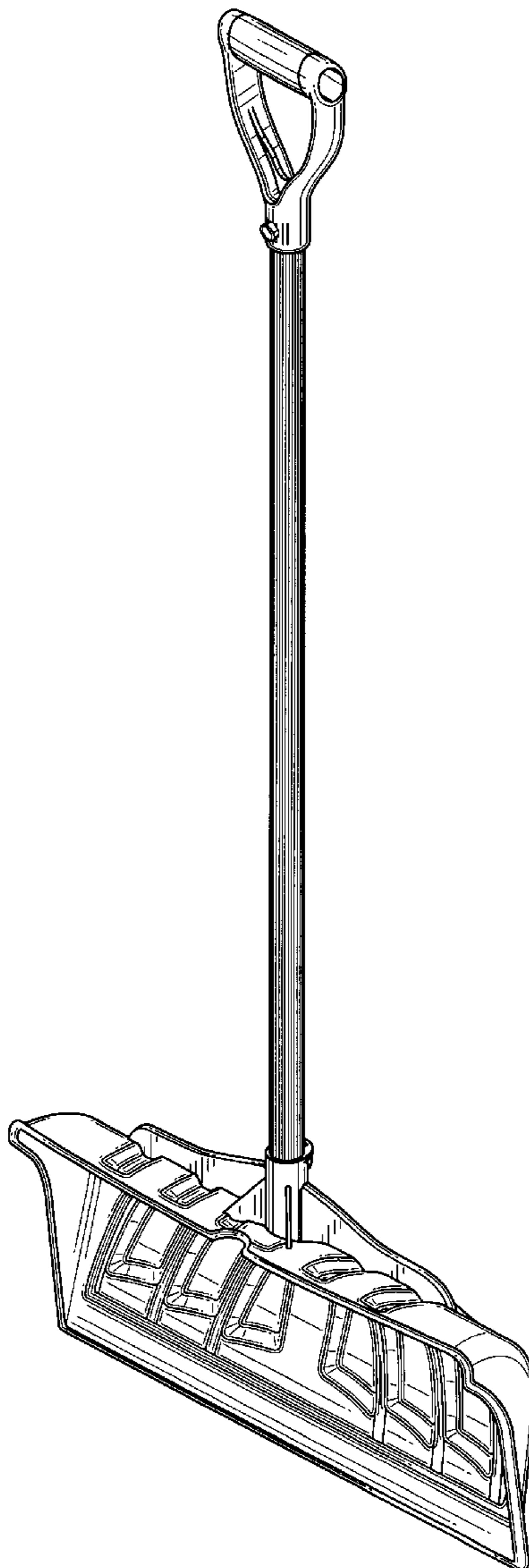
D. 385,160 10/1997 Tisbo et al. D8/10

FIG. 5 is a top plan view; and,

D. 409,886 5/1999 Whitehead et al. D8/10

FIG. 6 is a bottom plan view.

1 Claim, 5 Drawing Sheets



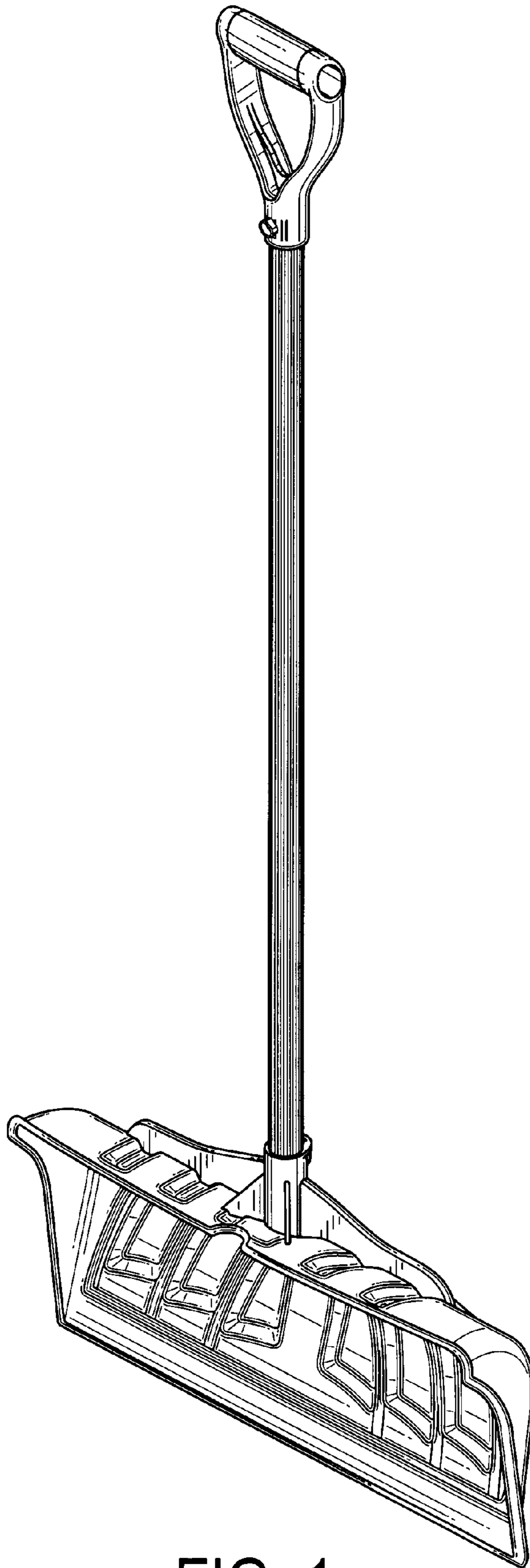


FIG. 1

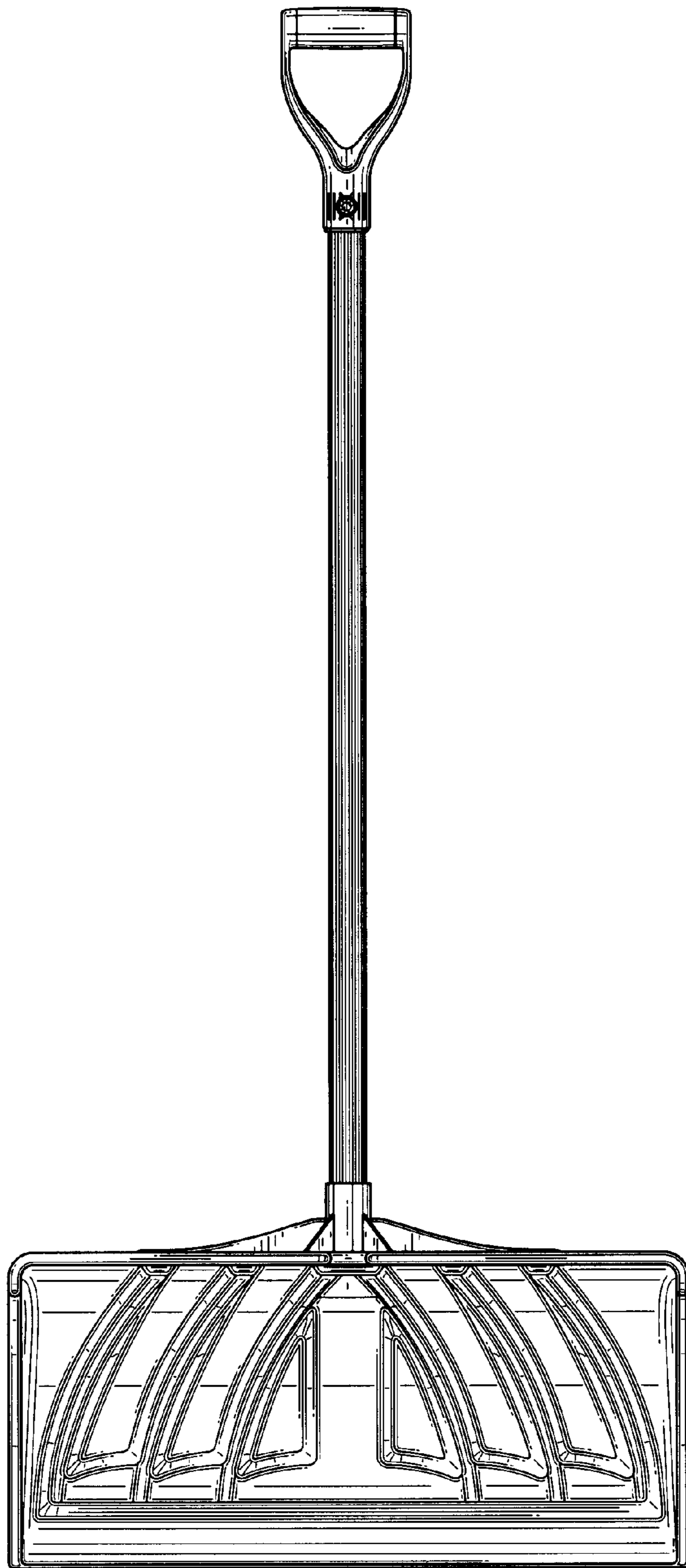


FIG. 2

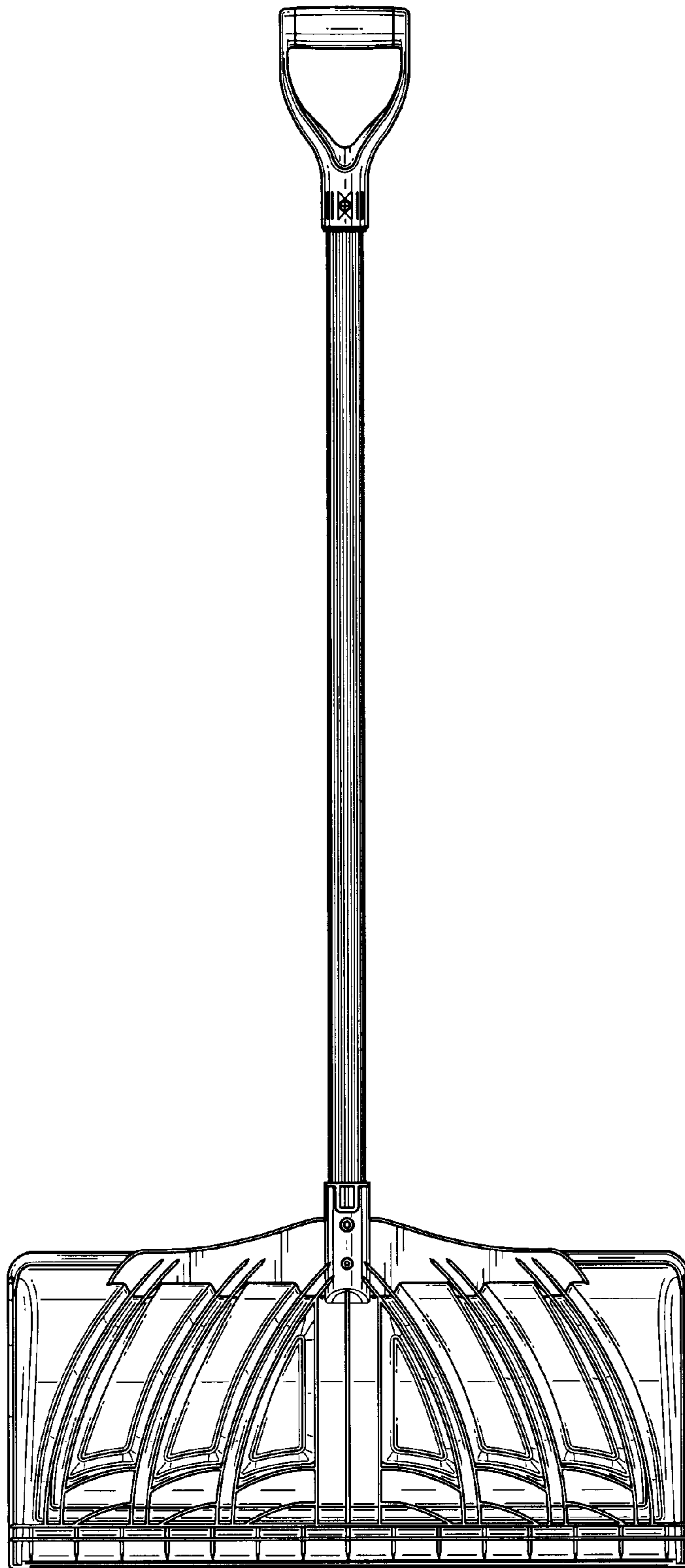


FIG. 3

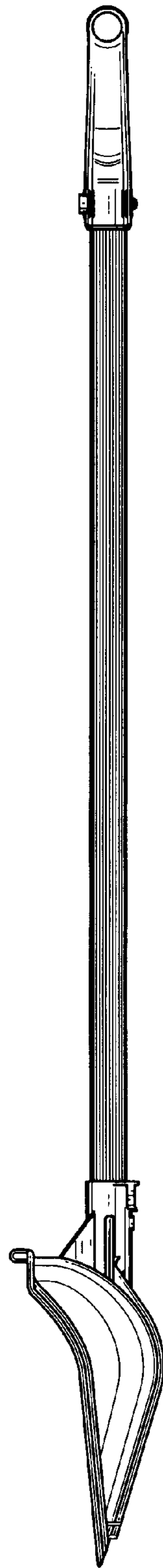


FIG. 4

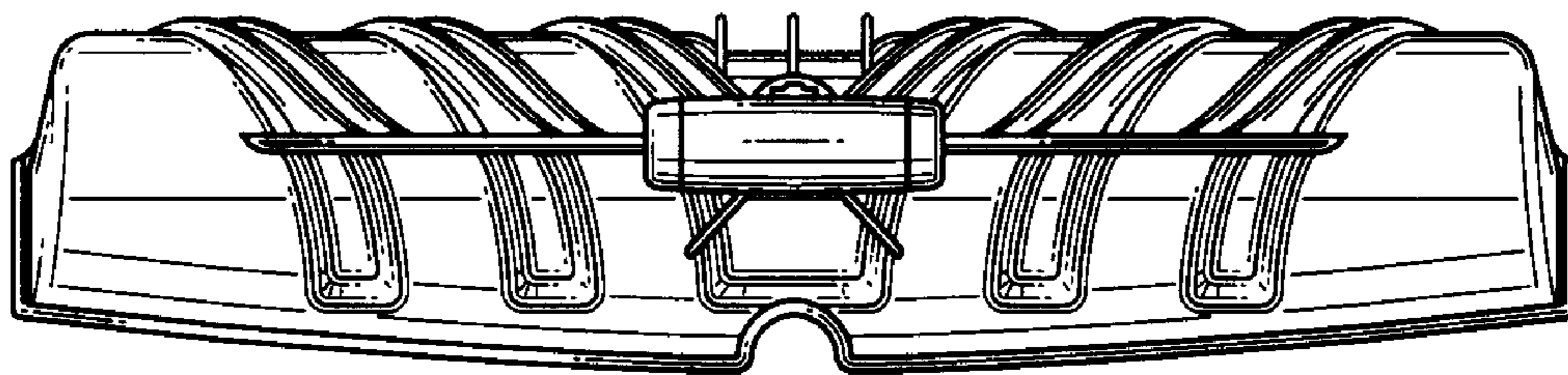


FIG. 5

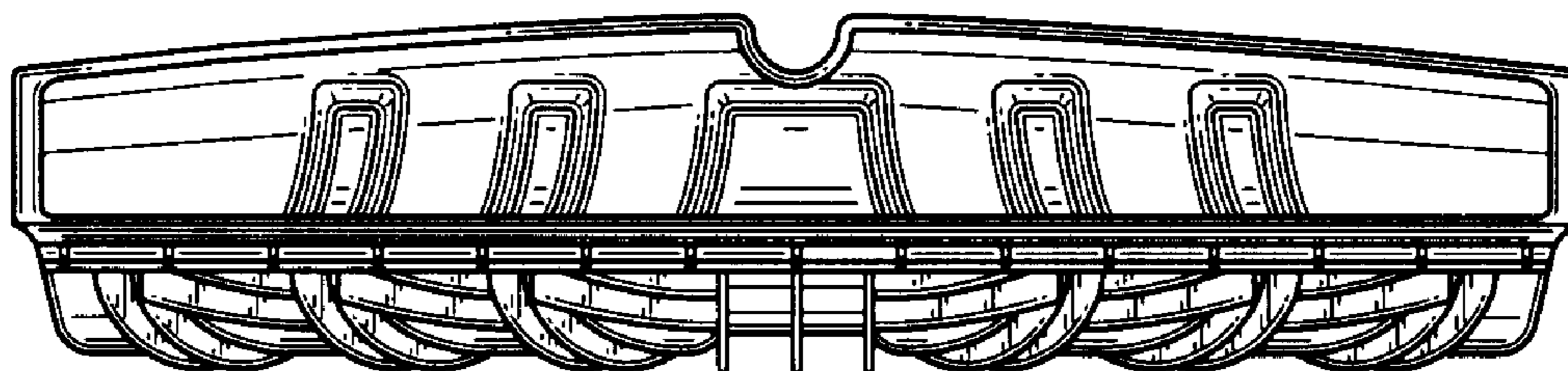


FIG. 6