



US00D433886S

United States Patent [19]

Wolter, Jr.

[11] **Patent Number: Des. 433,886**

[45] **Date of Patent: ** Nov. 21, 2000**

[54] **PLANT SUPPORT**

[75] Inventor: **Robert B. Wolter, Jr.**, Rowayton, Conn.

[73] Assignee: **Wren Garden Products, Inc.**, Norwalk, Conn.

[**] Term: **14 Years**

[21] Appl. No.: **29/117,696**

[22] Filed: **Jan. 28, 2000**

[51] **LOC (7) Cl.** **08-01**

[52] **U.S. Cl.** **D8/1**

[58] **Field of Search** D8/1; 47/44, 46, 47/47

[56] **References Cited**

U.S. PATENT DOCUMENTS

D. 303,340	9/1989	Waltel	D8/1
1,976,094	10/1934	Ritchie	47/46
2,009,668	7/1935	Lay	47/46
3,302,328	2/1967	King	47/44
4,536,989	8/1985	Caywood et al.	47/46

OTHER PUBLICATIONS

Clappers Garden Catalog; item A Link-Stakes Plant Supports; p. 11, Jun. 1988.

Primary Examiner—Robin V. Taylor

Attorney, Agent, or Firm—Ware, Fressola, Van der Sluys & Adolphson LLP

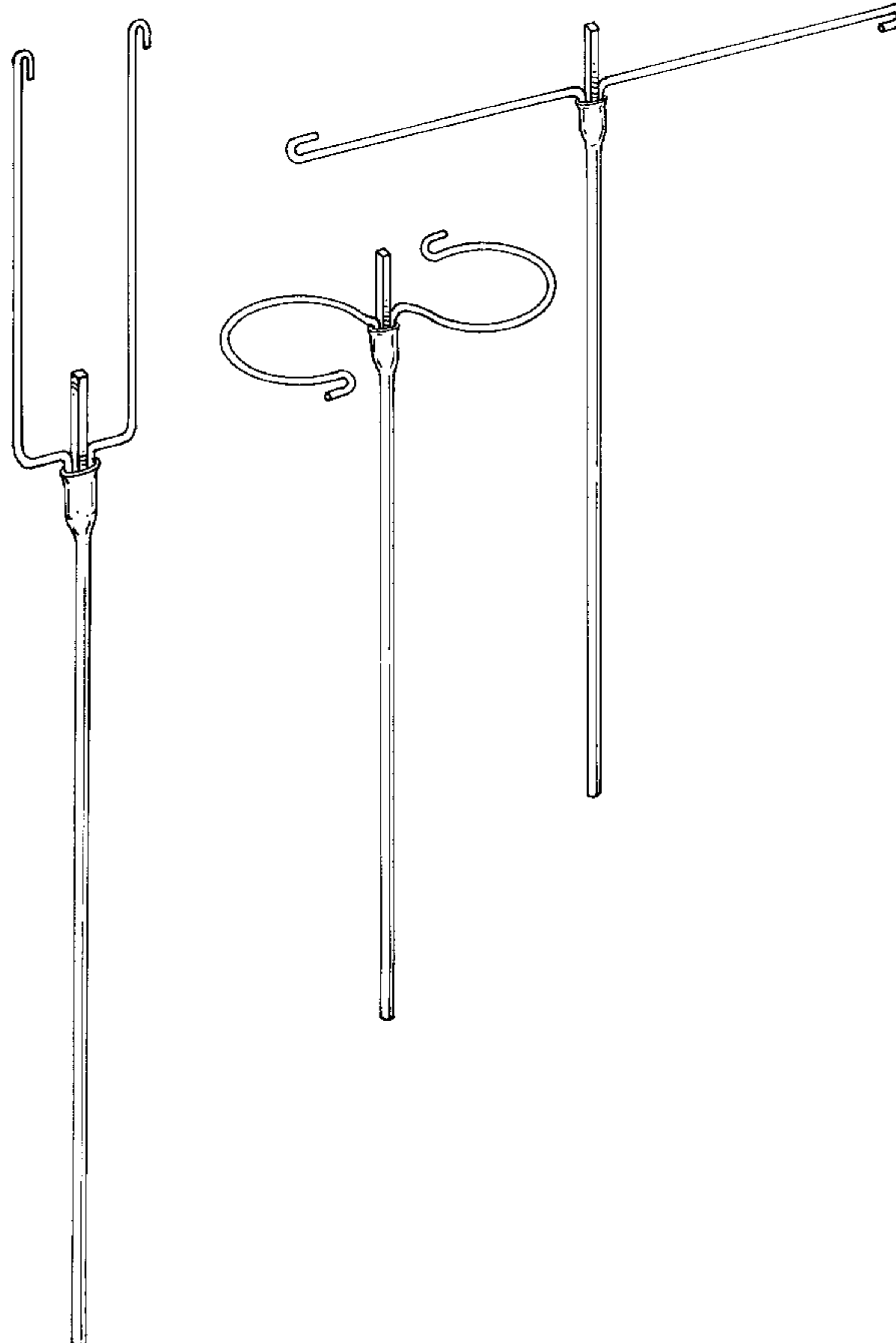
[57] **CLAIM**

I claim the ornamental design of a plant support, as shown and described.

DESCRIPTION

FIG. 1 is a perspective view of the invention; FIG. 2 is a front view of the invention; FIG. 3 is a left side view of the invention; FIG. 4 is a rear view of the invention; FIG. 5 is a top view of the invention; FIG. 6 is a bottom view of the invention; FIGS. 7–9 are perspective views of the invention showing various configurations of the resilient arms as positioned by the user; FIG. 10 is a perspective view of the invention used in a stacked tandem showing one configuration of the resilient arms as positioned by the user; and, FIG. 11 is a perspective view of the invention used in a side-by-side tandem showing one configuration of the resilient arms as positioned by the user. The right side view of the invention would be a mirror image of the left side view of FIG. 3. The broken line showing is for illustrative purposes only and forms no part of the claimed design.

1 Claim, 3 Drawing Sheets



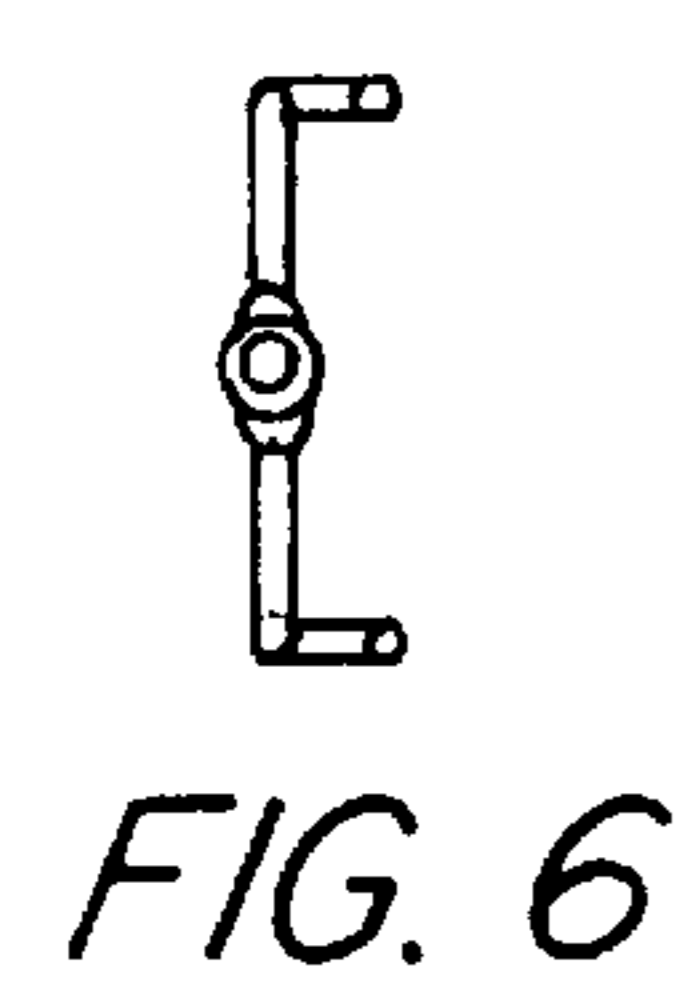
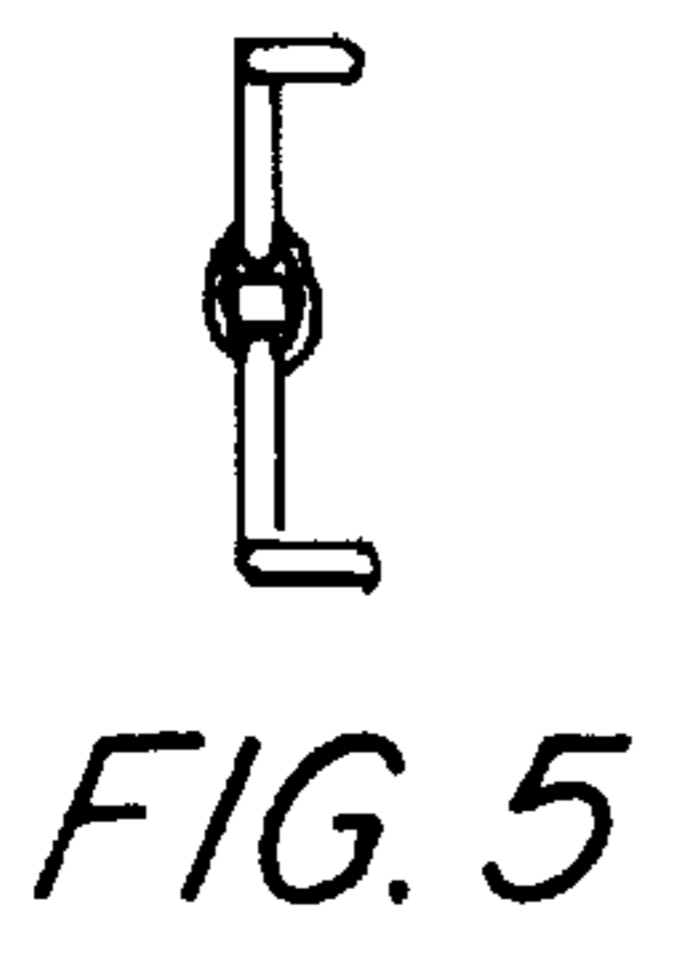
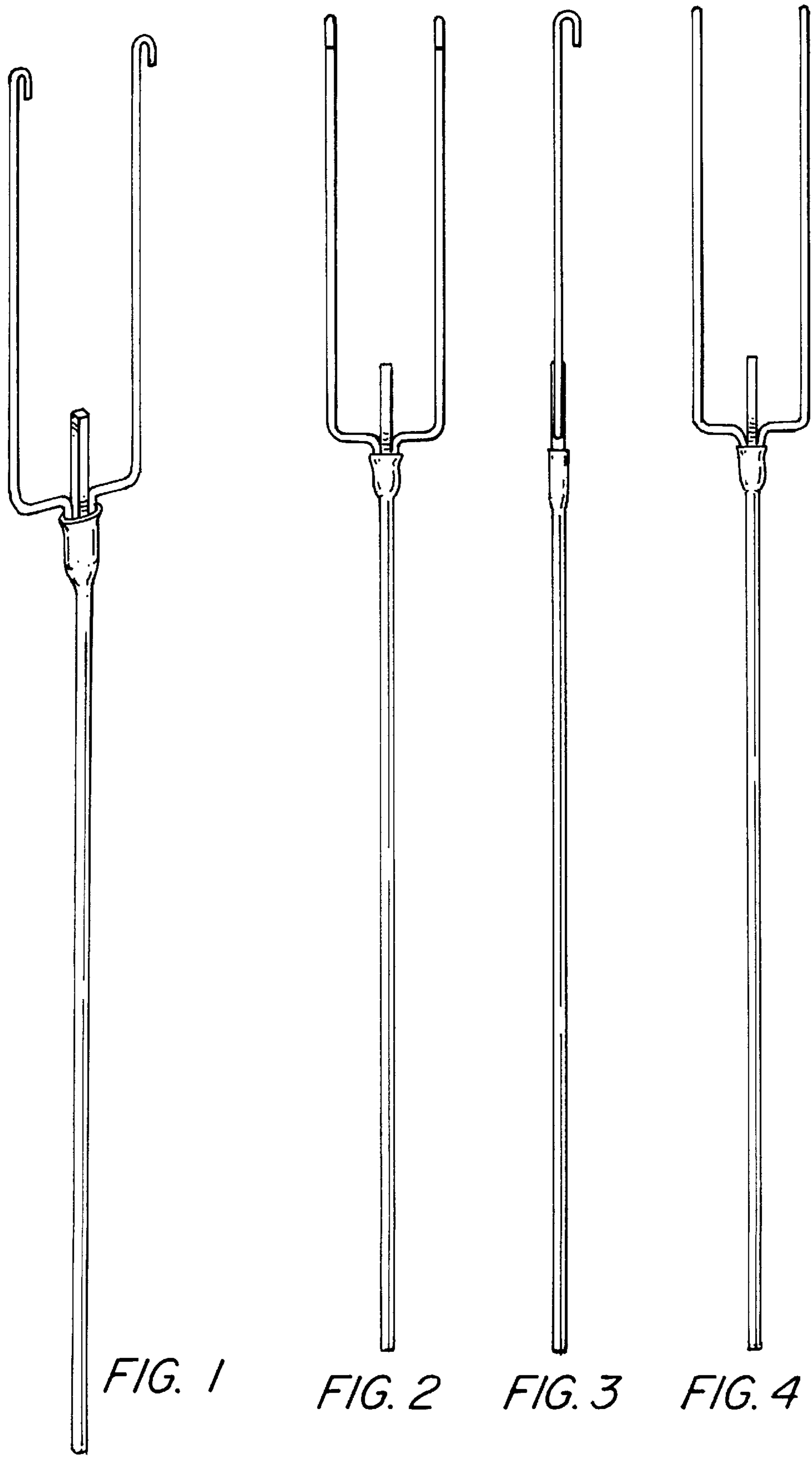


FIG. 1

FIG. 2

FIG. 3

FIG. 4

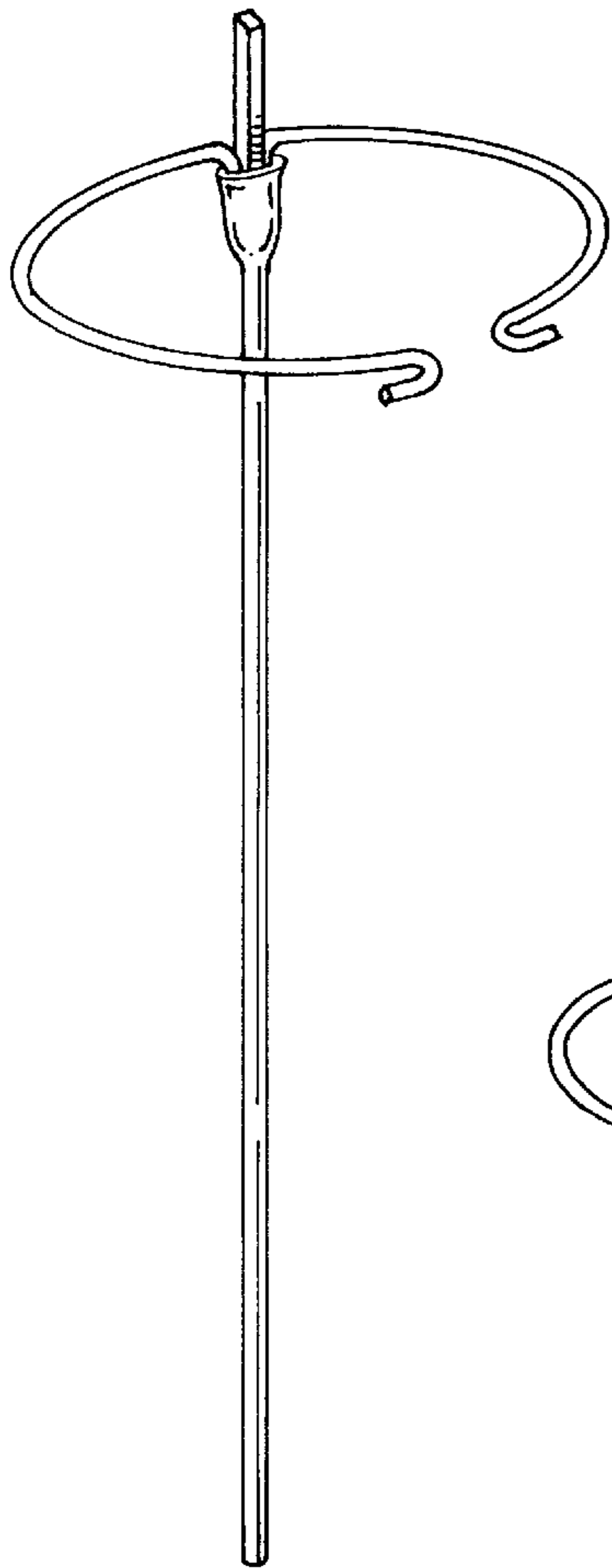


FIG. 7

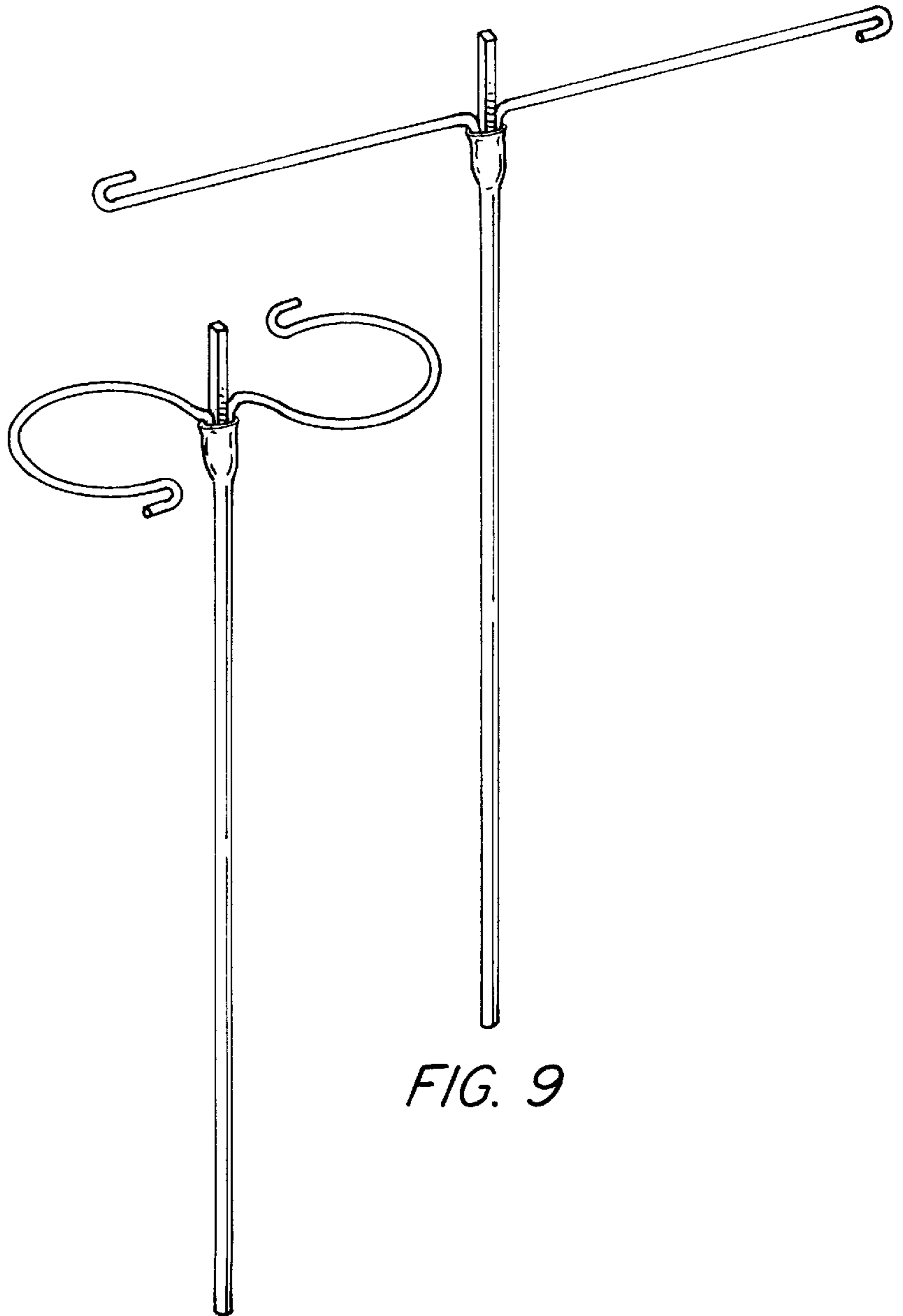


FIG. 9

FIG. 8

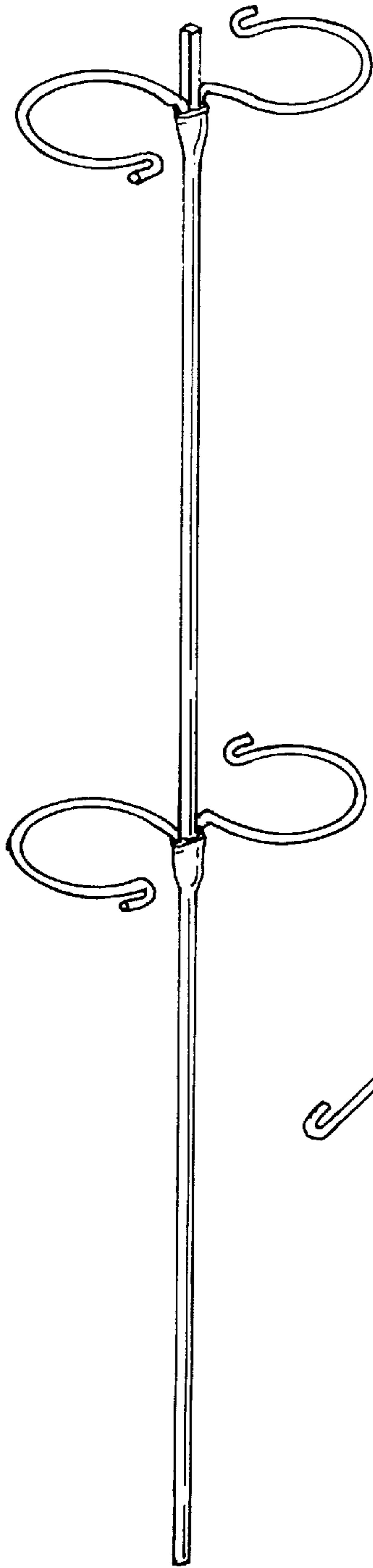


FIG. 10

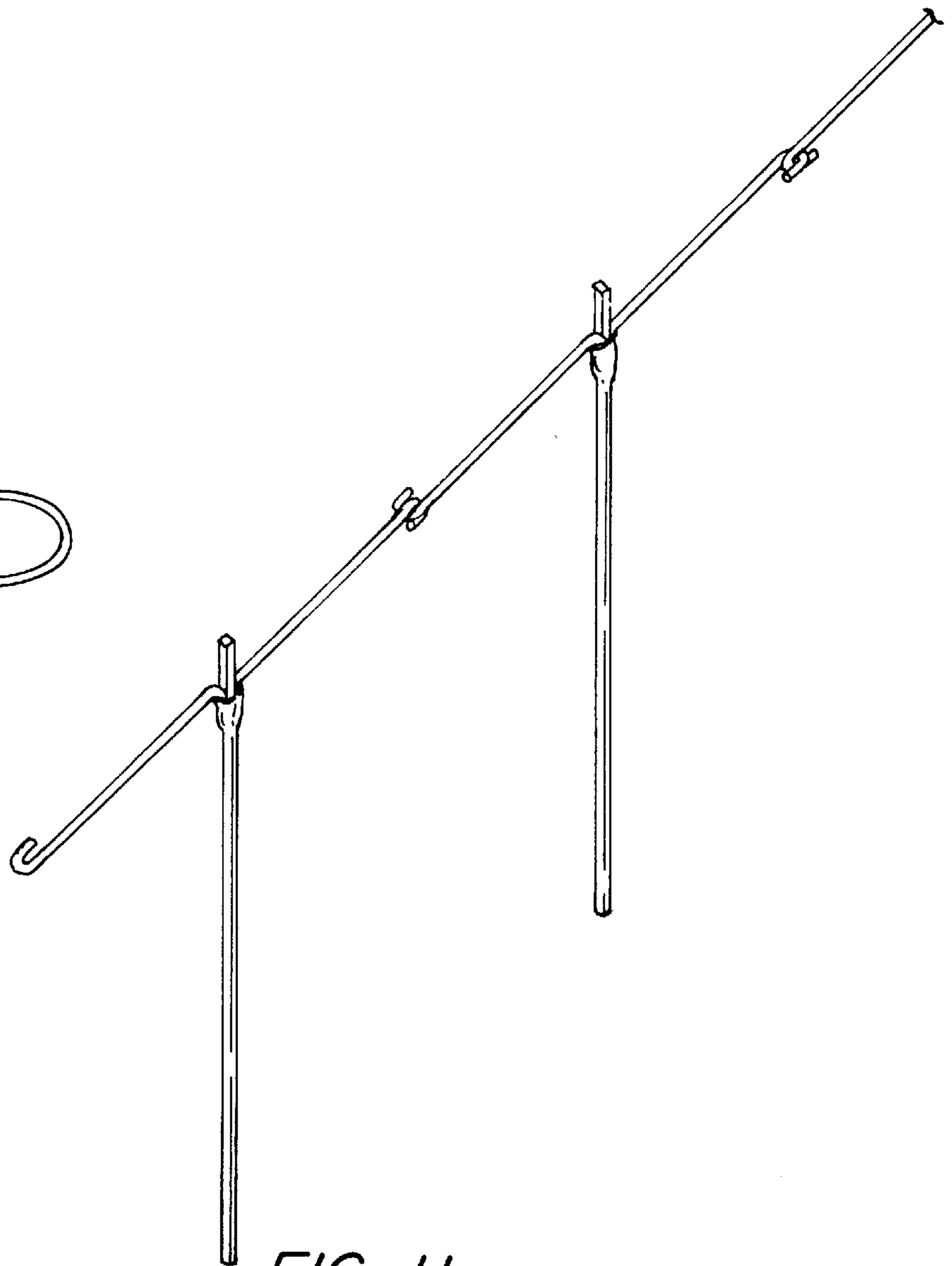


FIG. 11

UNITED STATES PATENT AND TRADEMARK OFFICE
CERTIFICATE OF CORRECTION

PATENT NO. : Des 433,886
DATED : November 21, 2000
INVENTOR(S) : Robert B. Wolter, Jr.

Page 1 of 2

It is certified that error appears in the above-identified patent and that said Letters Patent is hereby corrected as shown below:

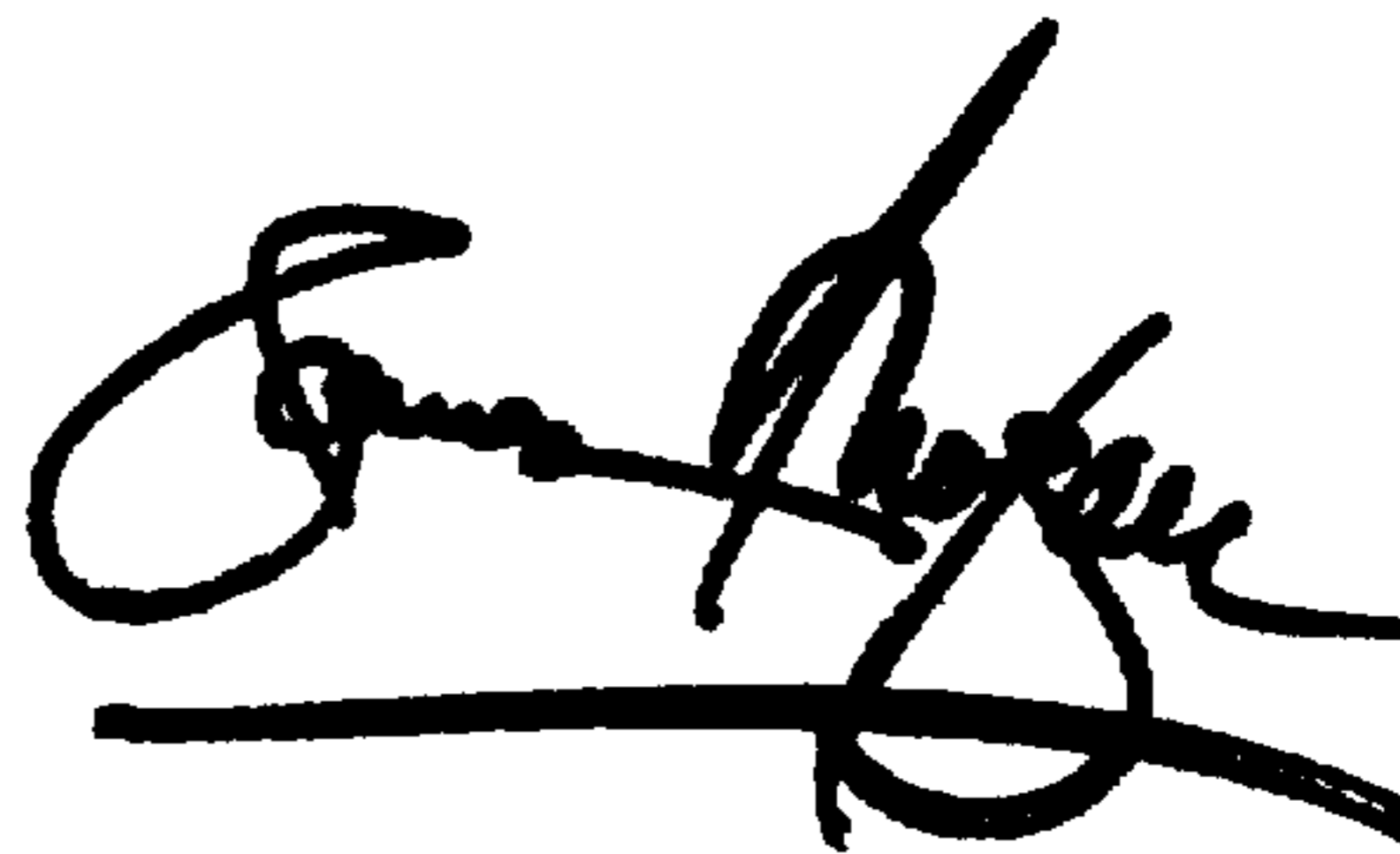
Drawings,

The attached Figs. 10 and 11 should be substituted for the existing Figs. 10 and 11.

Signed and Sealed this

Sixteenth Day of April, 2002

Attest:



Attesting Officer

JAMES E. ROGAN
Director of the United States Patent and Trademark Office

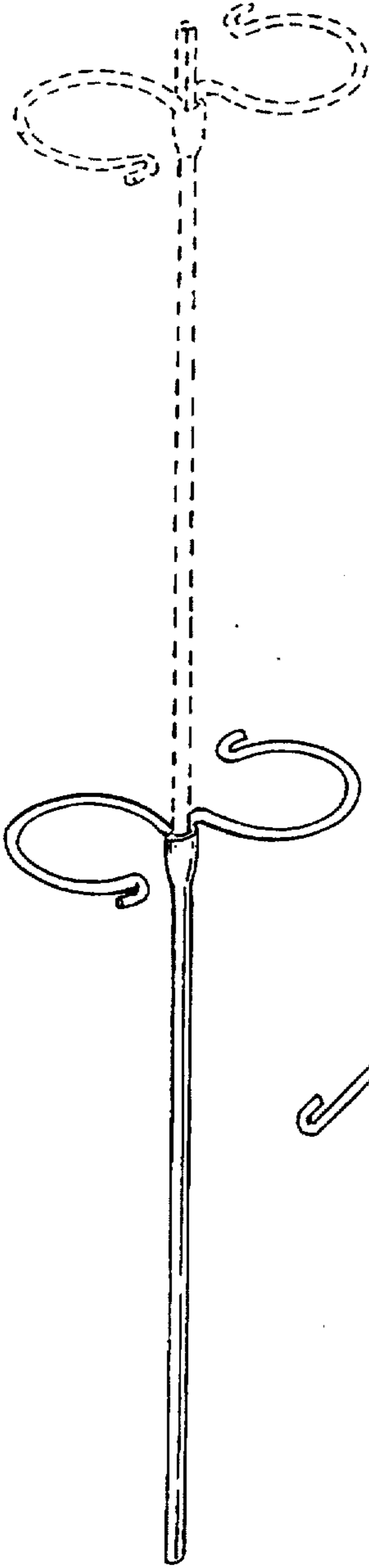


FIG. 10

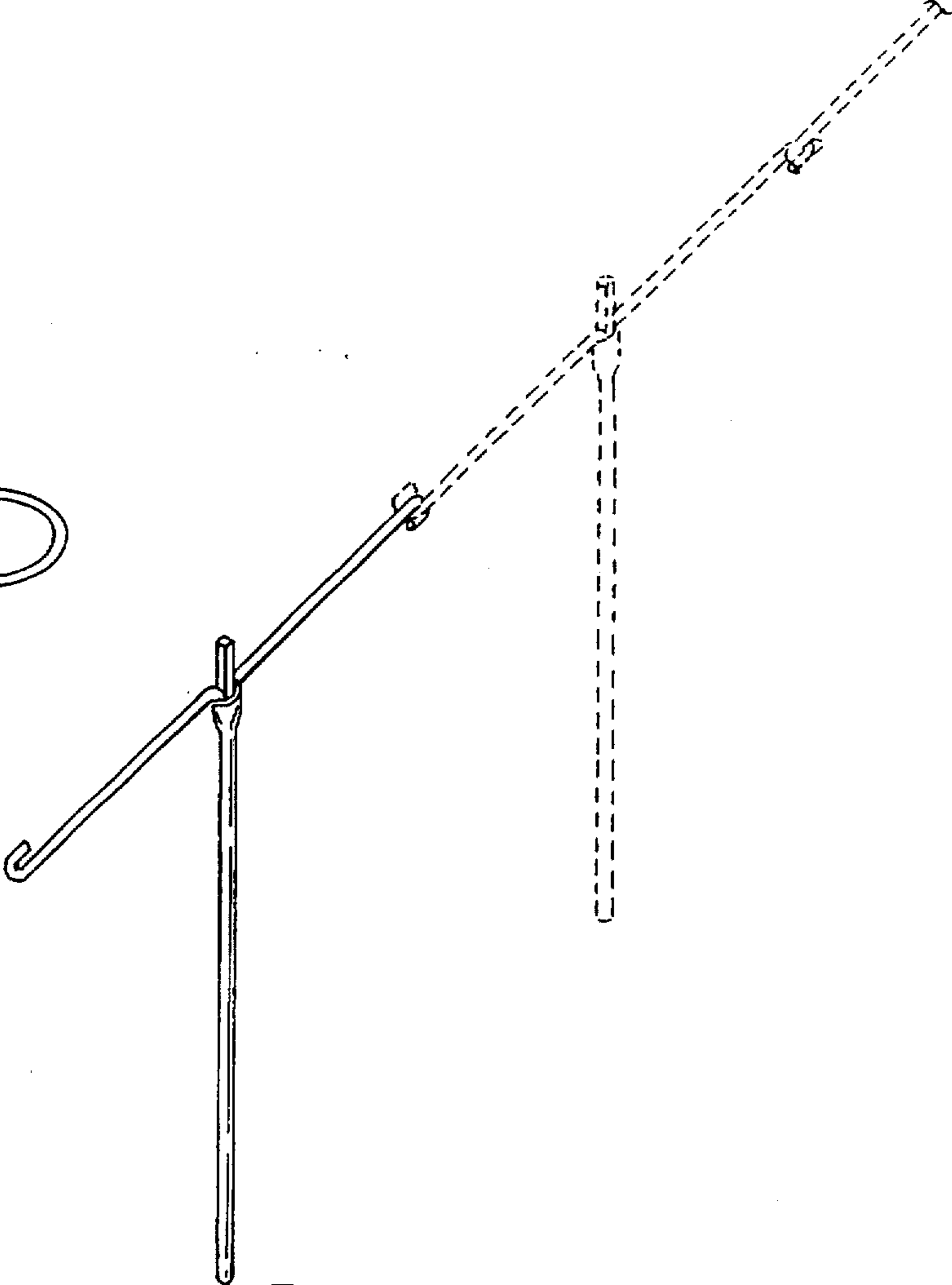


FIG. 11