



US00D433884S

United States Patent [19] Fujimoto

[11] **Patent Number: Des. 433,884**

[45] **Date of Patent: ** Nov. 21, 2000**

[54] **COLANDER WITH SCRUBBING INTERIOR**

[75] Inventor: **Tetsuro Fujimoto**, Okazaki, Japan

[73] Assignee: **Dart Industries Inc.**, Orlando, Fla.

[**] Term: **14 Years**

[21] Appl. No.: **29/117,669**

[22] Filed: **Jan. 27, 2000**

[51] **LOC (7) Cl.** **07-04**

[52] **U.S. Cl.** **D7/667**

[58] **Field of Search** D7/667, 668, 400;
99/403, 426; 210/464, 465, 470, 473, 498,
499

[56] **References Cited**

U.S. PATENT DOCUMENTS

- D. 199,320 10/1964 Barrington .
- D. 327,608 7/1992 Daenen .
- D. 353,080 12/1994 Cautereels .
- D. 358,533 5/1995 Cousins .

- D. 378,565 3/1997 Cousins D7/667
- D. 378,566 3/1997 Cousins D7/667
- D. 379,289 5/1997 Jeppesen D7/667
- D. 403,210 12/1998 Licari D7/667
- 4,419,103 12/1983 Balkan .

Primary Examiner—Terry A Wallace
Attorney, Agent, or Firm—Taylor J. Ross

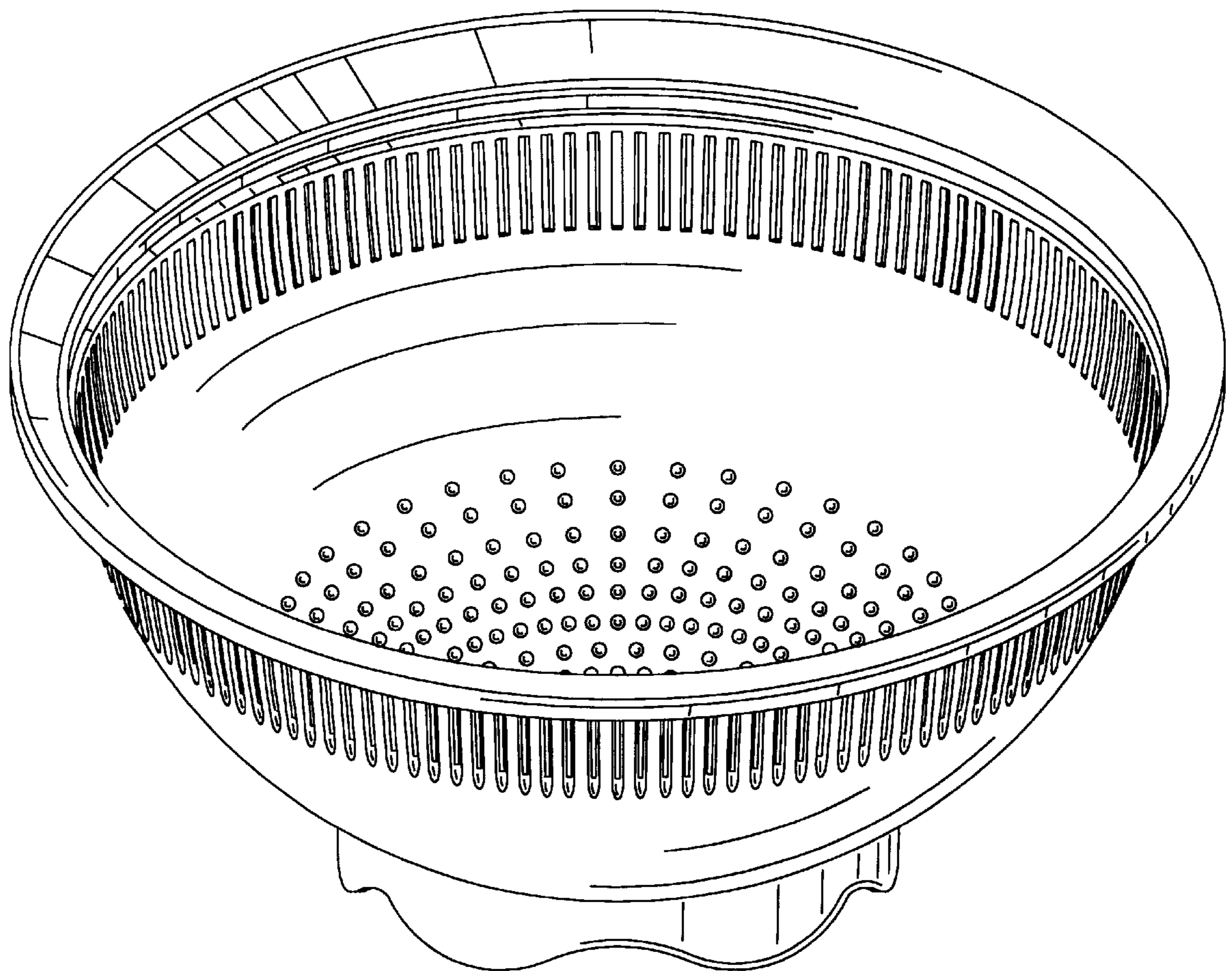
[57] **CLAIM**

The ornamental design for a colander with scrubbing interior, as shown and described.

DESCRIPTION

FIG. 1 is a top, side and front perspective view of a colander with scrubbing interior showing the new design; FIG. 2 is a front elevation view thereof; FIG. 3 is a rear elevation view thereof; FIG. 4 is a right side elevation view thereof; FIG. 5 is a left side elevation view thereof; FIG. 6 is a top plan view thereof; and, FIG. 7 is a bottom plan view thereof.

1 Claim, 5 Drawing Sheets



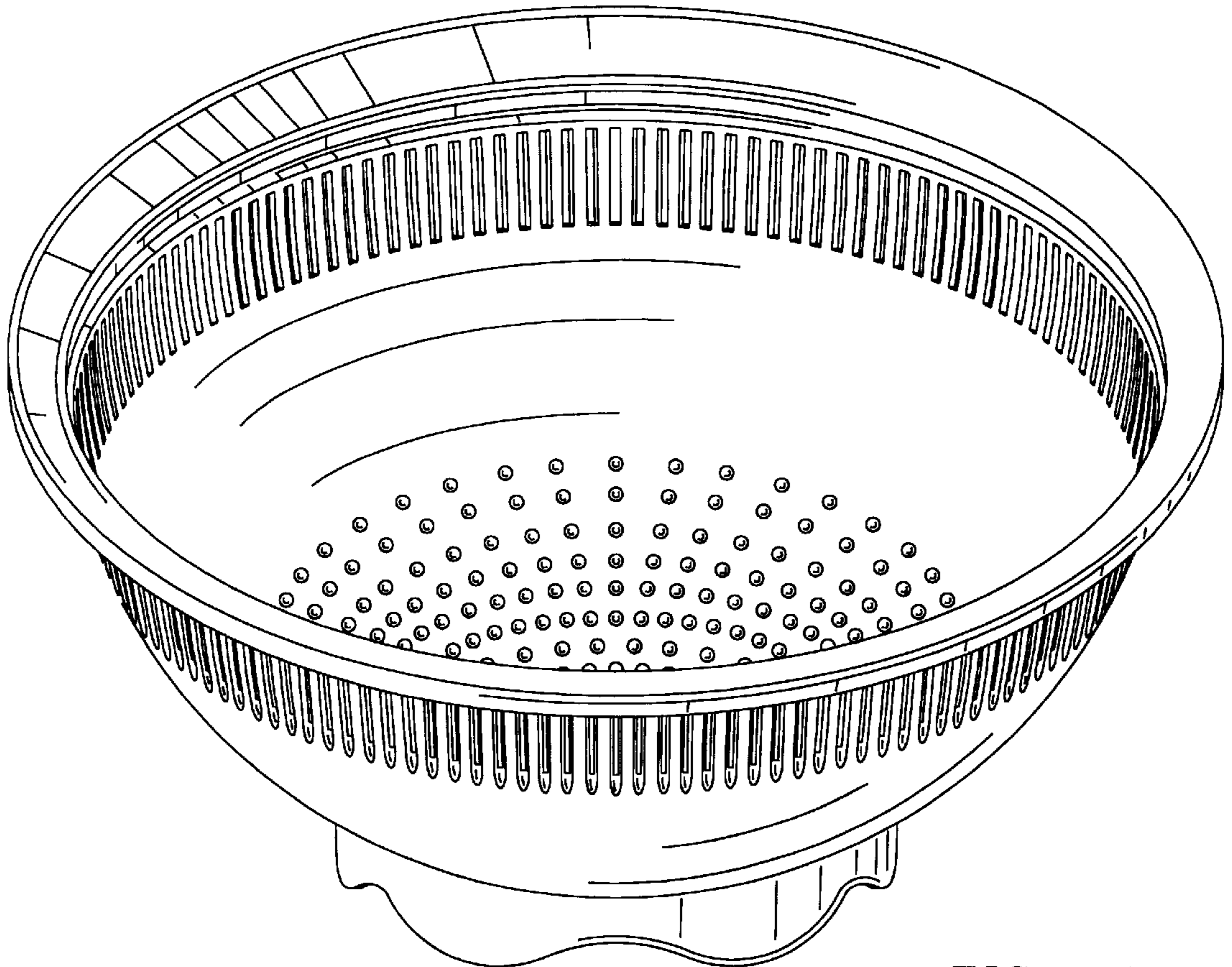


FIG. 1

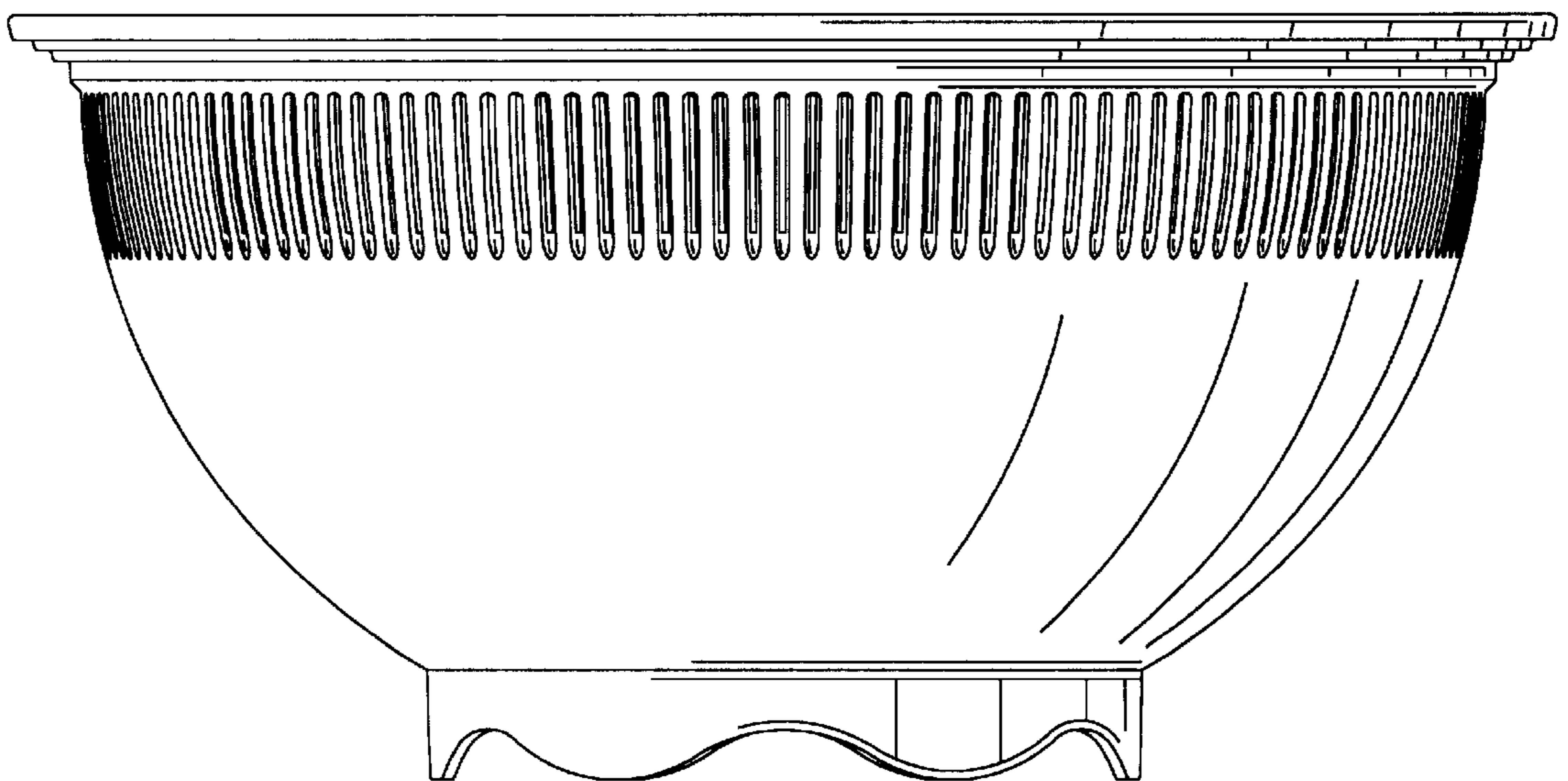


FIG. 2

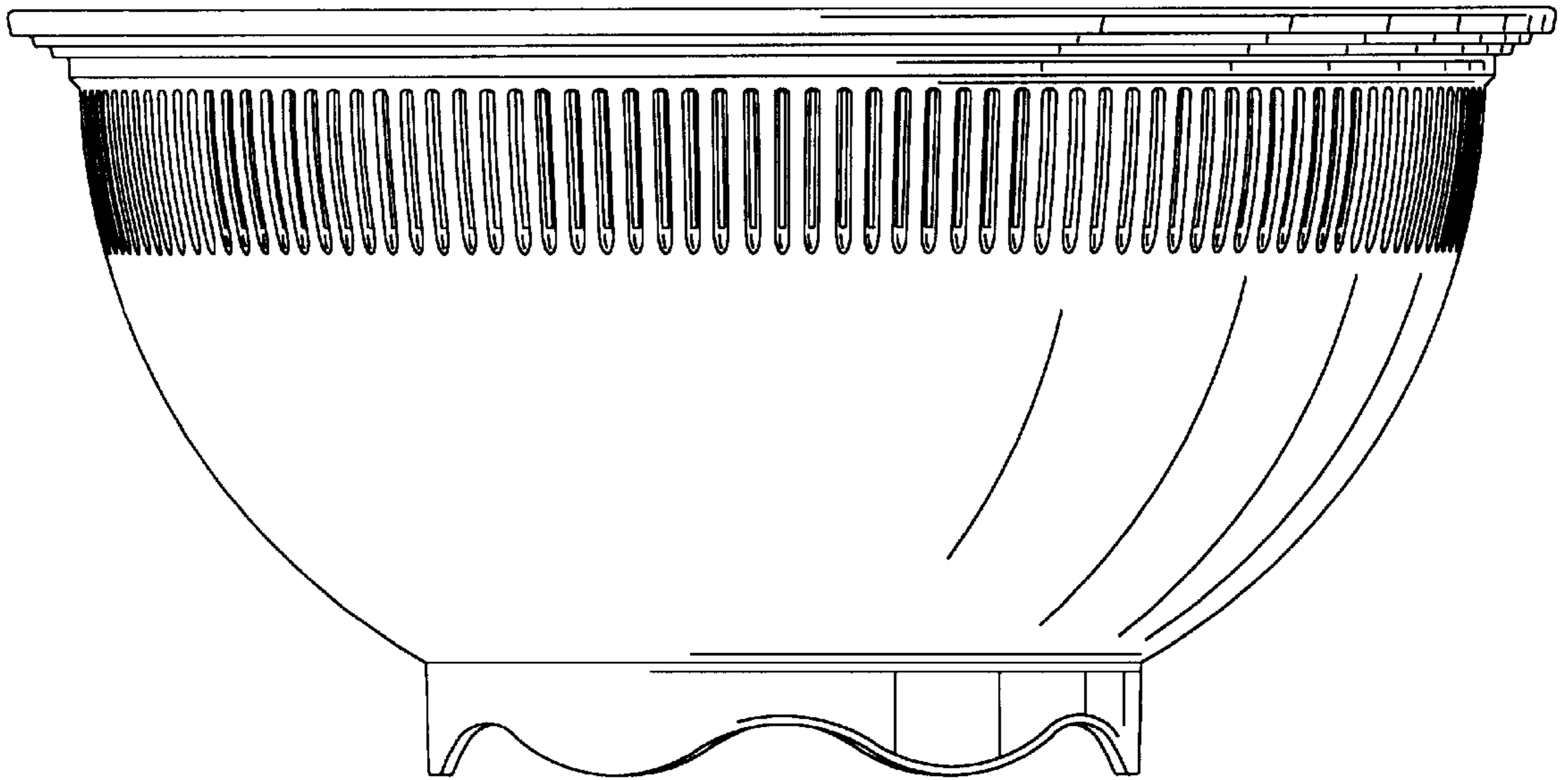


FIG. 3

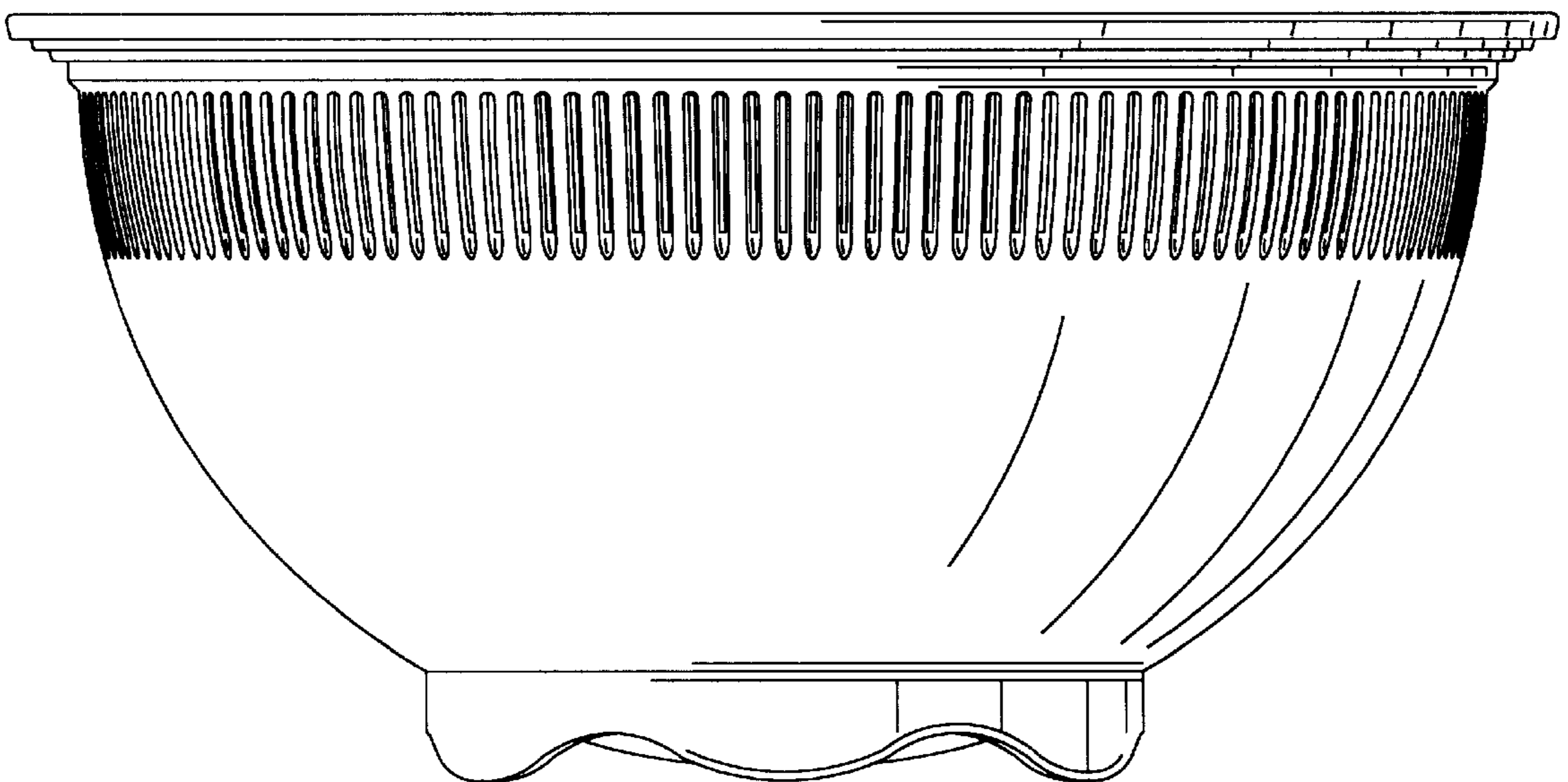


FIG. 4

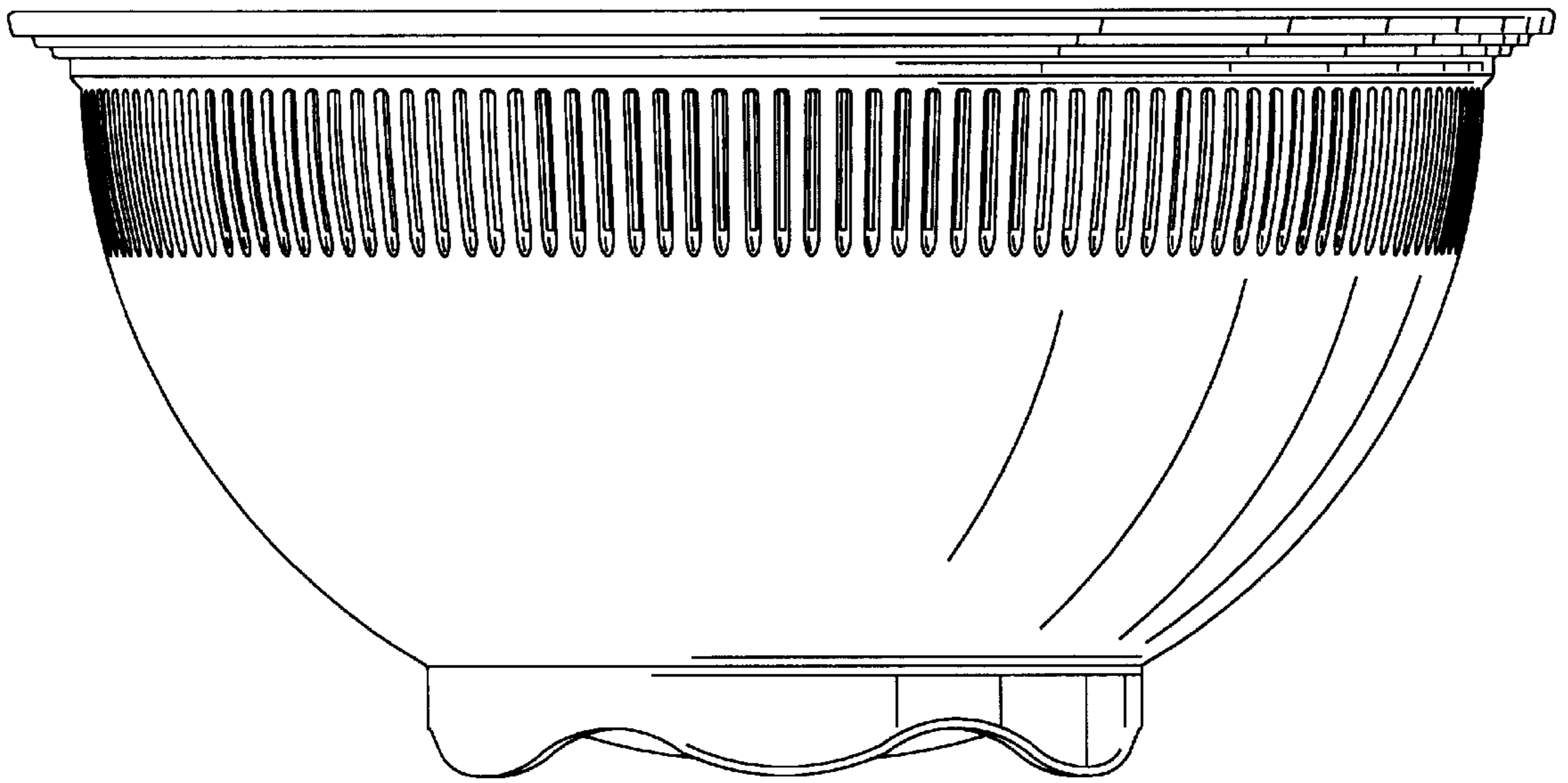


FIG. 5

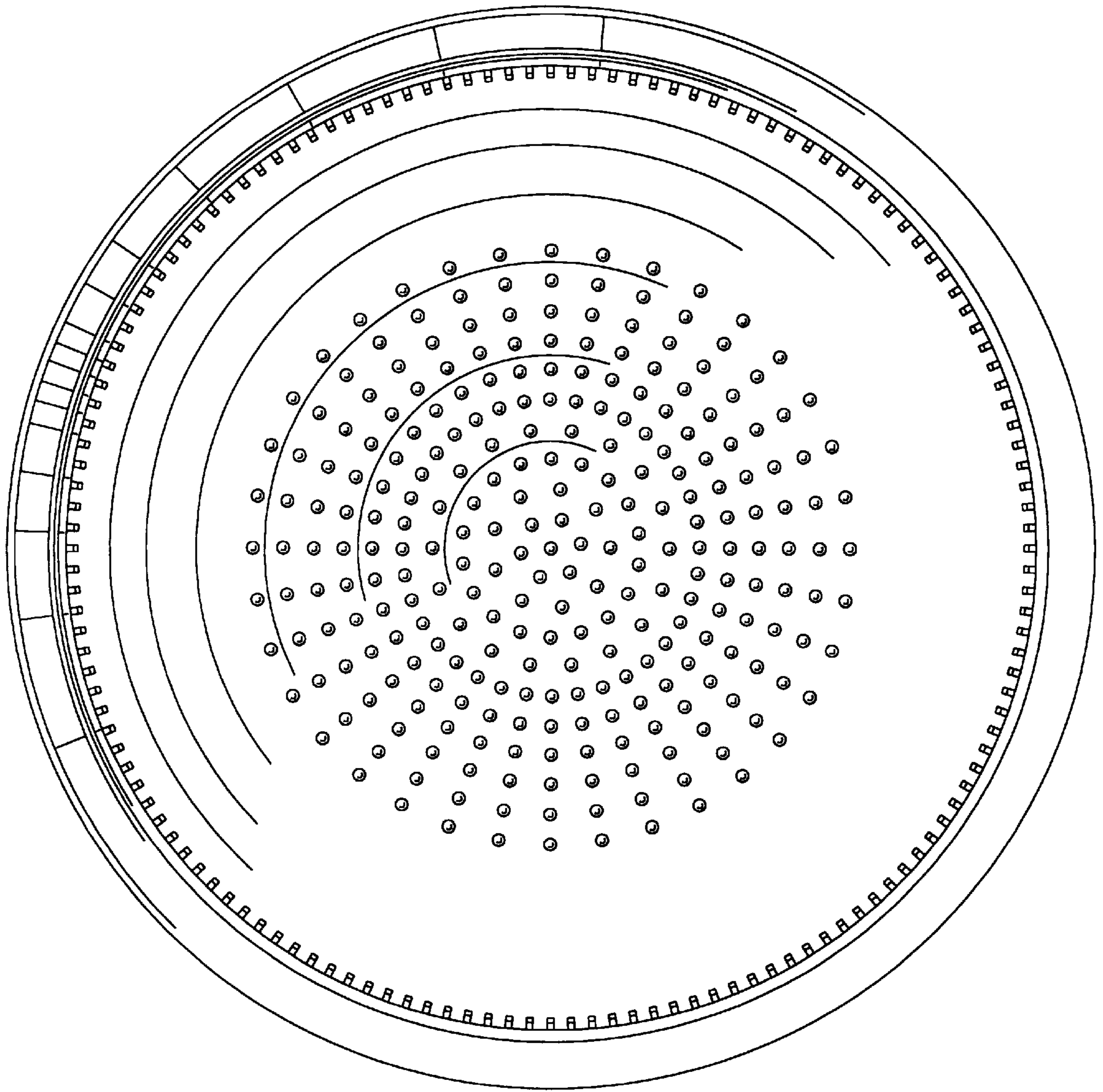


FIG. 6

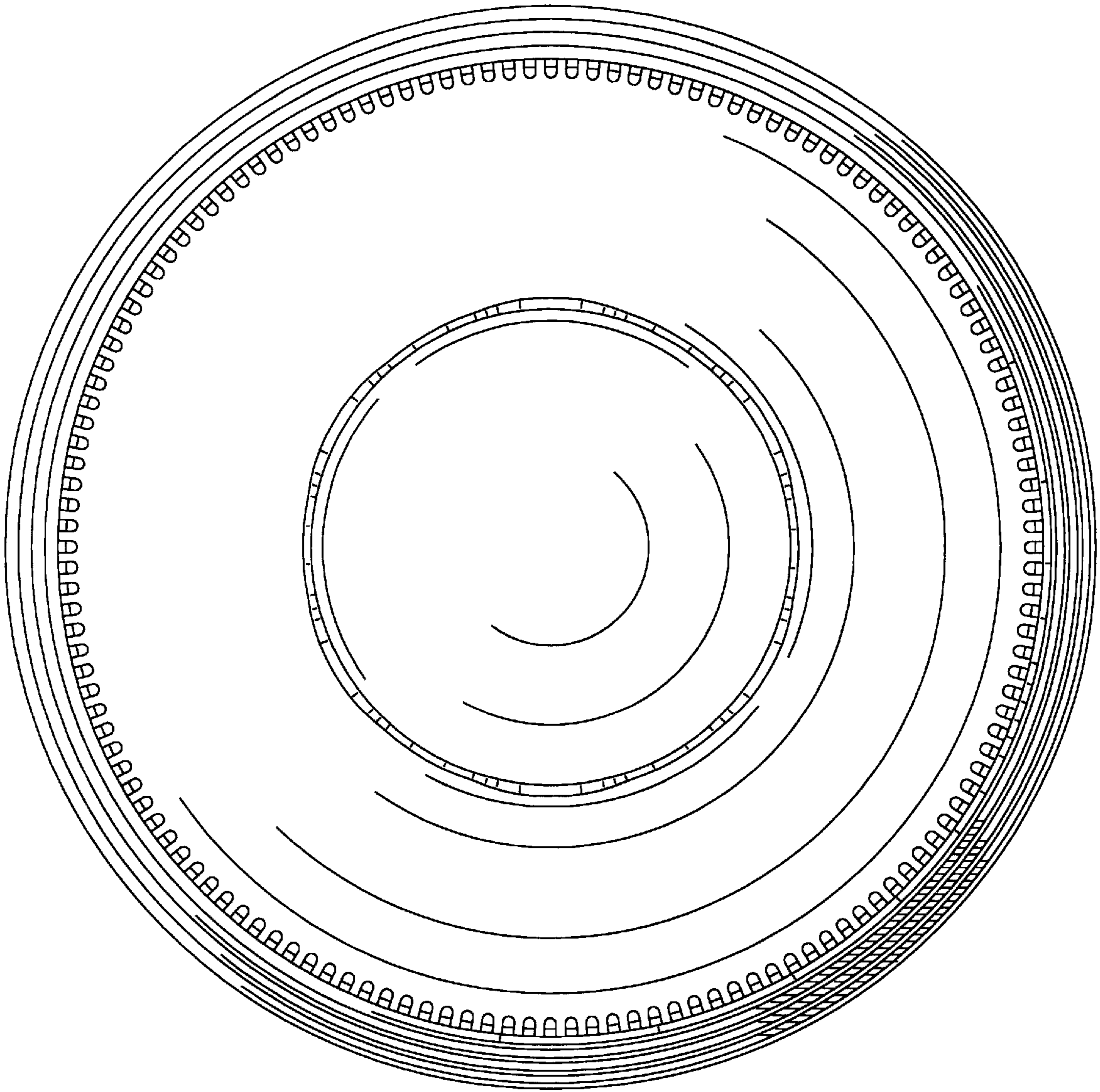


FIG. 7