



US00D433878S

# United States Patent [19] Joergensen

[11] Patent Number: **Des. 433,878**

[45] Date of Patent: **\*\* Nov. 21, 2000**

[54] **TRAY**

[75] Inventor: **Carsten Joergensen**, Kriens, Switzerland

[73] Assignee: **PI-Design AG**, Triengen, Switzerland

[\*\*] Term: **14 Years**

[21] Appl. No.: **29/080,033**

[22] Filed: **Nov. 26, 1997**

[30] **Foreign Application Priority Data**

May 28, 1997 [DK] Denmark ..... 055597

[51] **LOC (7) Cl.** ..... **07-01**

[52] **U.S. Cl.** ..... **D7/552.1; D7/554.2; D7/545; D7/548**

[58] **Field of Search** ..... D7/550.1, 554.2, D7/554.4, 543, 545, 548, 586, 587, 602, 354, 552.1; 229/4.5; 220/678, 671, 574, 23.83, 23.86, 608; D28/82, 73

[56] **References Cited**

**U.S. PATENT DOCUMENTS**

D. 157,823 3/1950 Wright ..... D7/545

D. 246,818 1/1978 Breger ..... D7/545  
D. 298,903 12/1988 Watson et al. .... D7/545  
D. 316,210 4/1991 Giugiaro ..... D7/545  
D. 320,908 10/1991 Zimmerman ..... D7/545  
D. 341,990 12/1993 Yim ..... D7/354  
D. 348,805 7/1994 Cautereels ..... D7/602  
D. 385,156 10/1997 Balari ..... D7/550.1  
D. 408,686 4/1999 Lillelund et al. .... D7/554.2  
2,992,765 7/1961 Kram ..... 229/4.5

*Primary Examiner*—M. N. Pandozzi  
*Attorney, Agent, or Firm*—Nath & Associates; Gary M Nath; Harold L. Novick

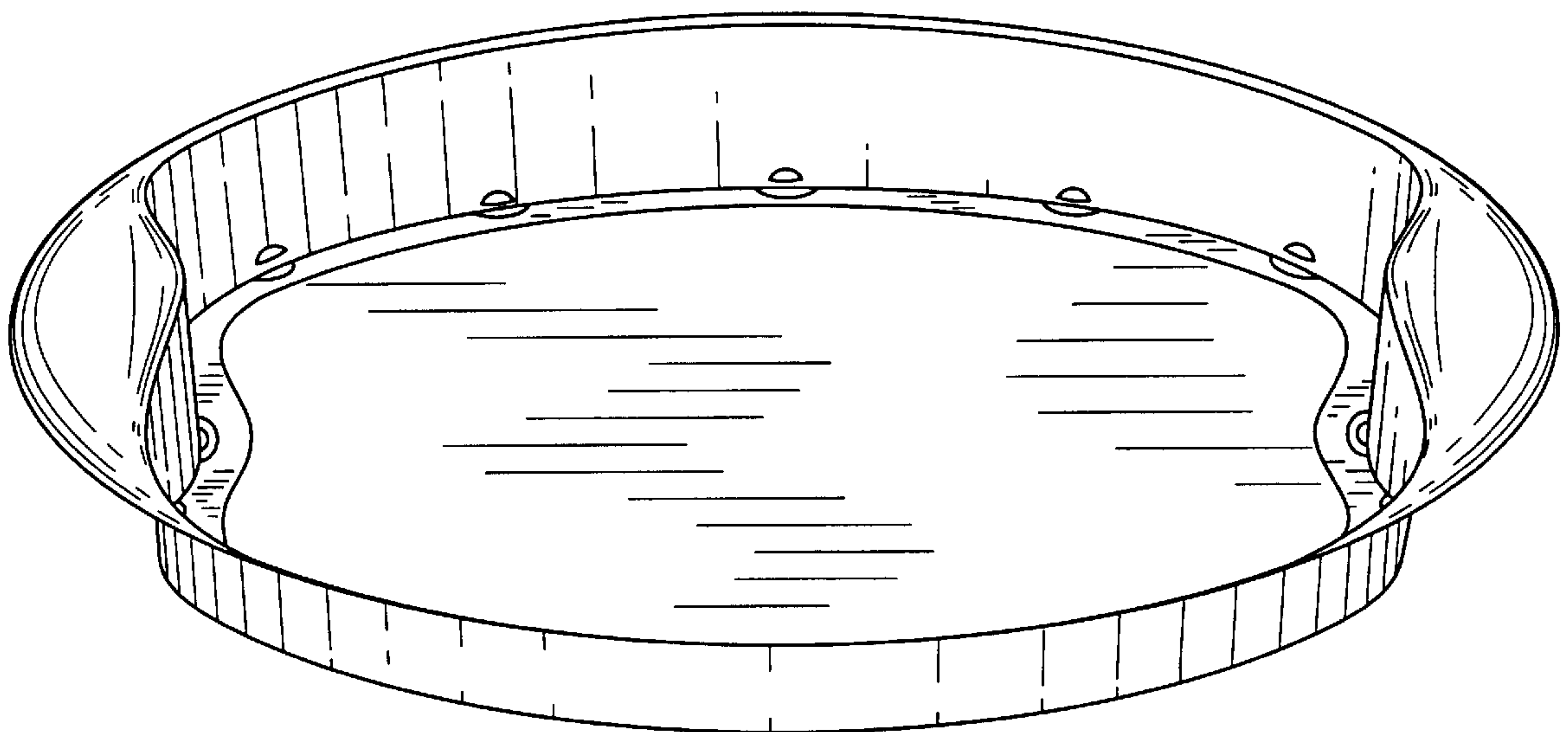
[57] **CLAIM**

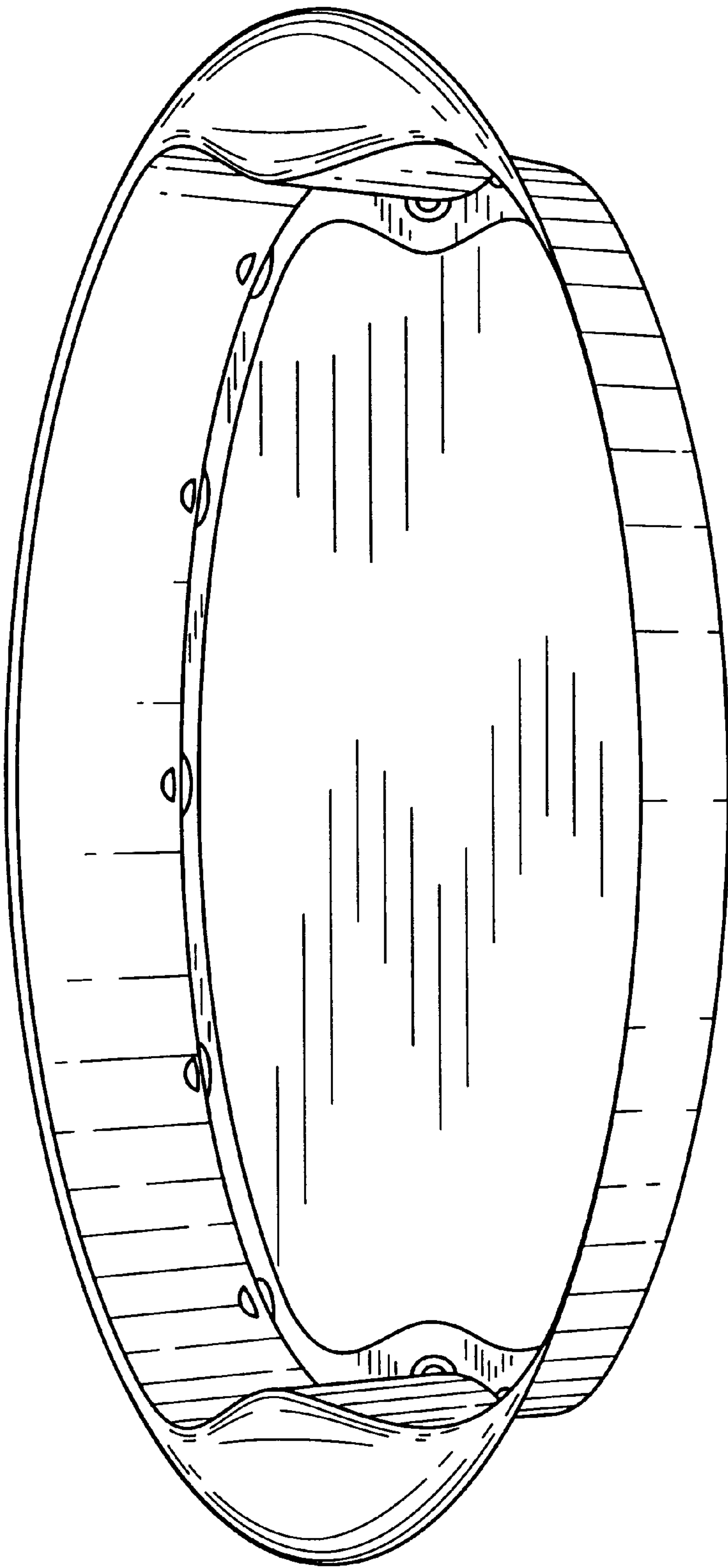
The ornamental design for a tray, as shown and described.

**DESCRIPTION**

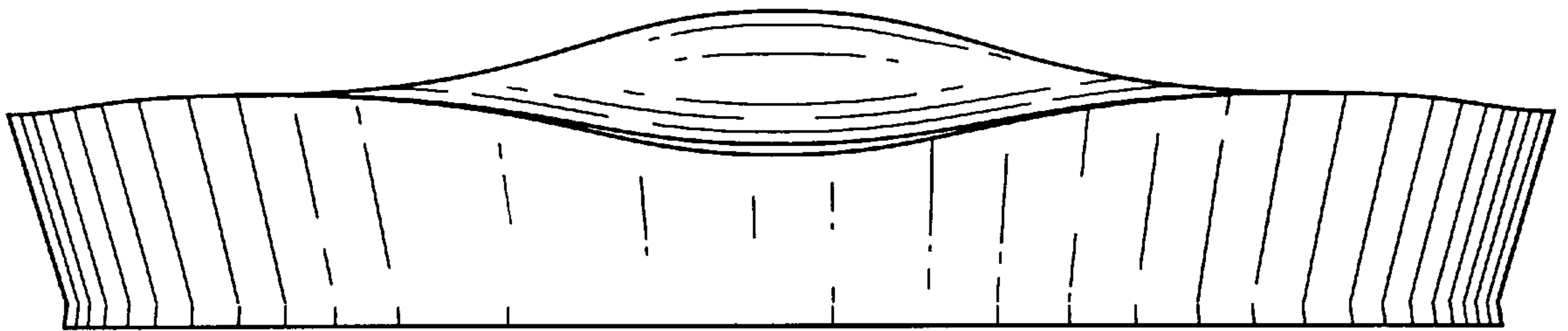
FIG. 1 is a perspective view of the tray;  
FIG. 2 is a right side view of the tray, as shown in FIG. 1;  
FIG. 3 is a left side view of the tray;  
FIG. 4 is a front side view of the tray;  
FIG. 5 is a back side view of the tray;  
FIG. 6 is a top view of the tray; and,  
FIG. 7 is a bottom view of the tray.

**1 Claim, 5 Drawing Sheets**

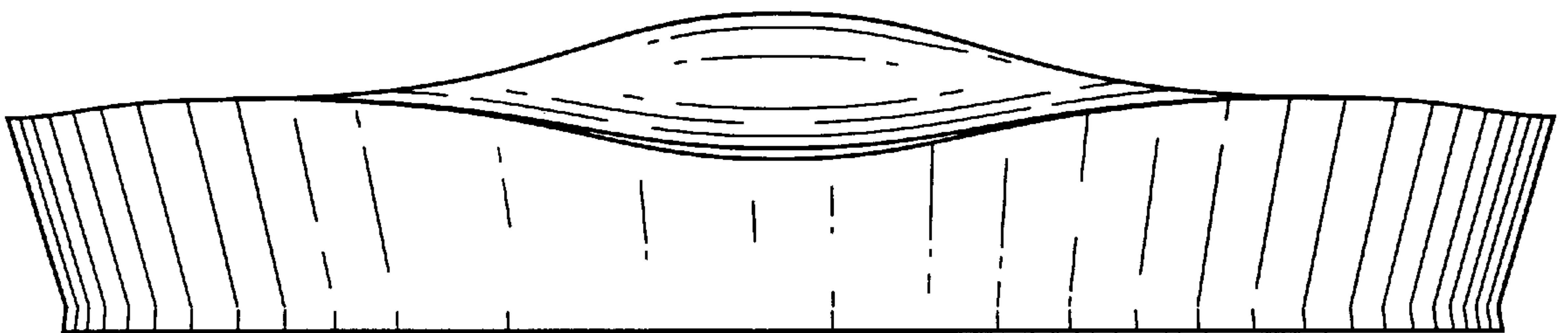




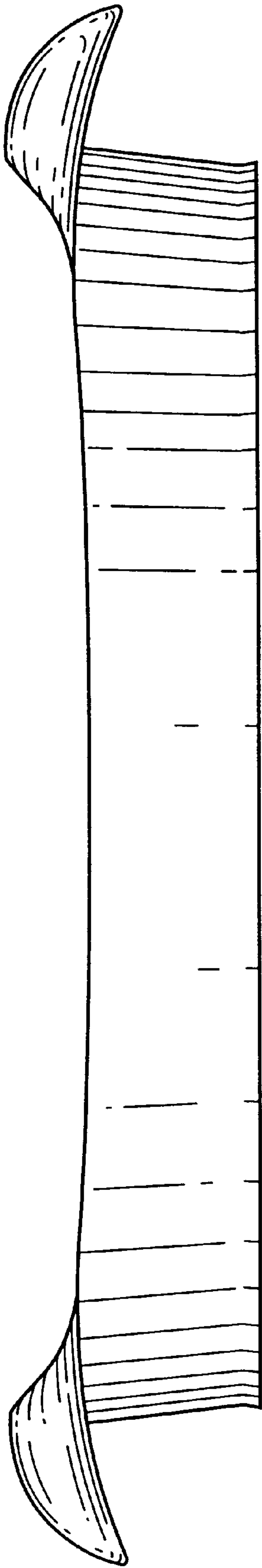
**FIG. 1**



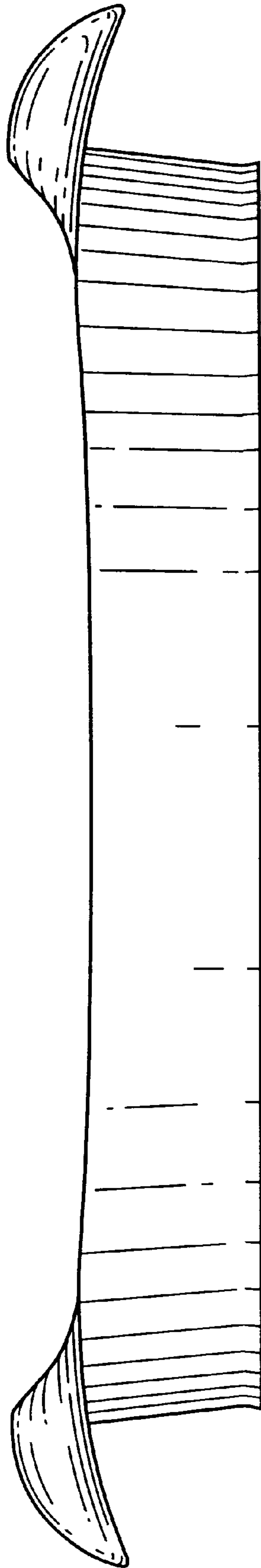
**FIG. 2**



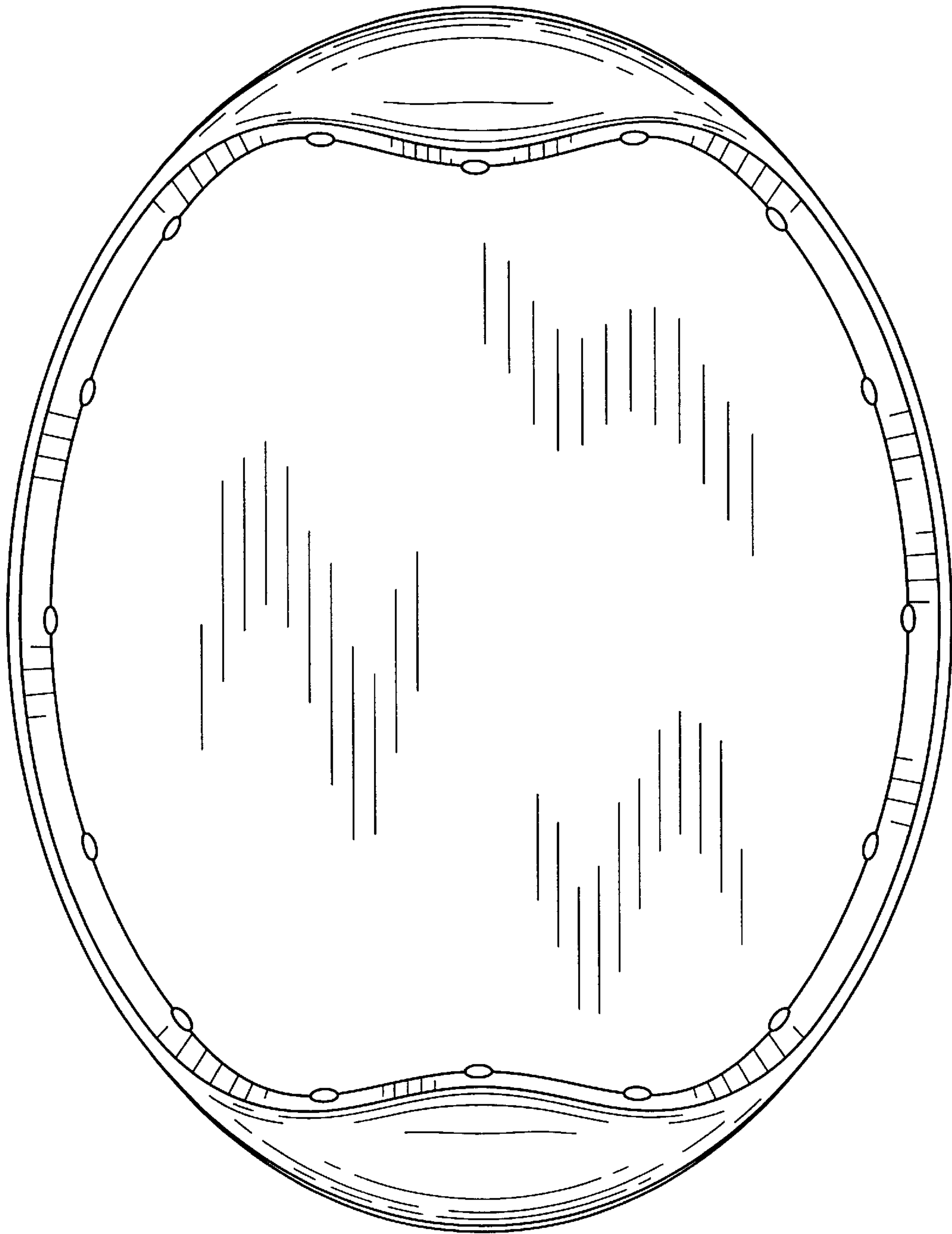
**FIG. 3**



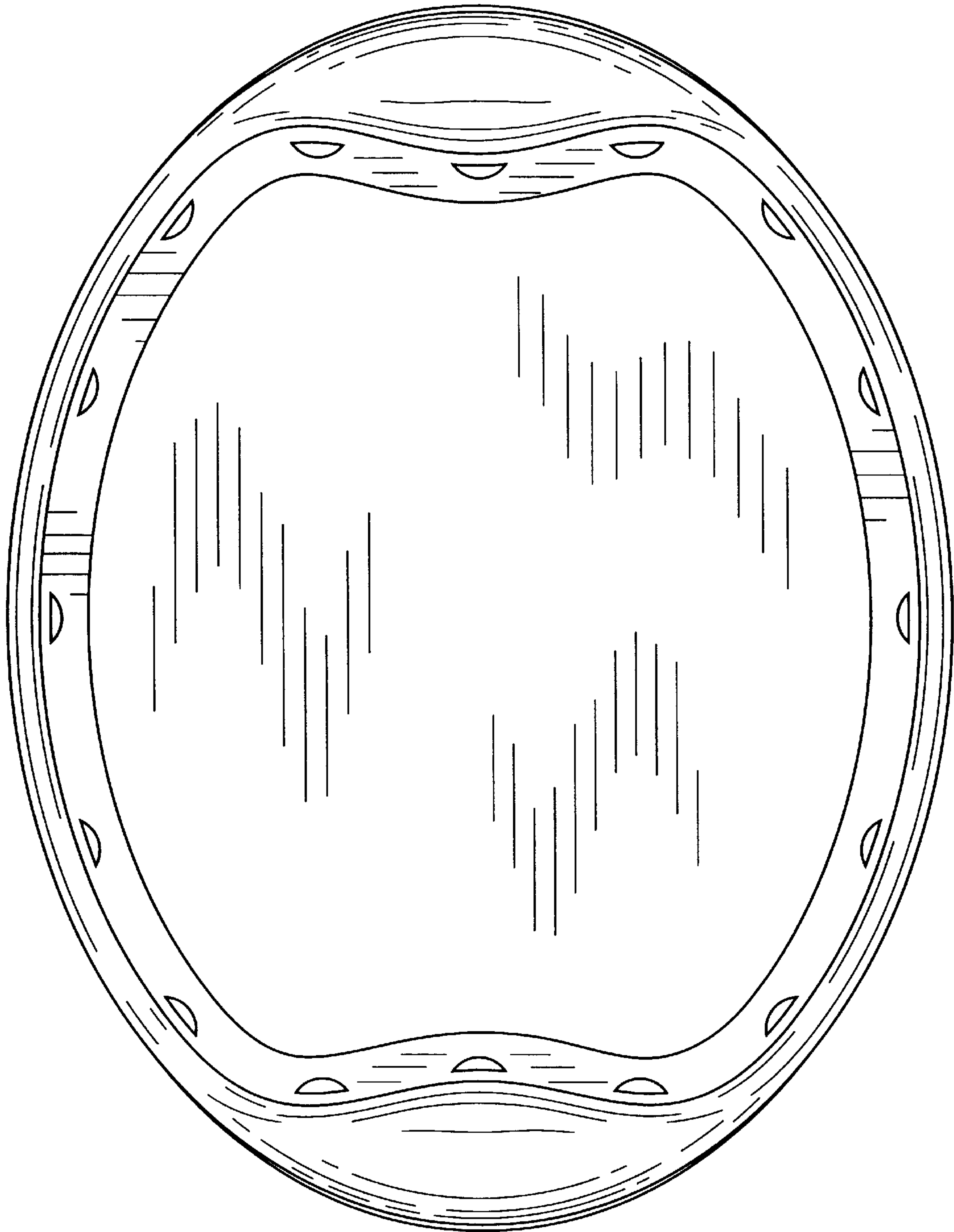
**FIG. 4**



**FIG. 5**



**FIG. 6**



**FIG. 7**