



US00D433877S

United States Patent [19]

Bickert et al.

[11] Patent Number: **Des. 433,877**

[45] Date of Patent: **** Nov. 21, 2000**

[54] CUP

[75] Inventors: **Robert Ellsworth Bickert**, Mobile, Ala.; **Bruce Copeland**, Stone Mountain, Ga.

[73] Assignee: **American Crown, Inc.**, Mobile, Ala.

[**] Term: **14 Years**

[21] Appl. No.: **29/096,316**

[22] Filed: **Nov. 10, 1998**

[51] LOC (7) Cl. **07-01**

[52] U.S. Cl. **D7/536; D7/394**

[58] Field of Search D7/536, 533, 510, D7/394, 507, 509, 393, 523; 220/360, 703, 705, 717, 709, 711, 713

[56] **References Cited**

U.S. PATENT DOCUMENTS

D. 354,418	1/1995	Martin	D7/536
D. 362,369	9/1995	Bridges	.	
D. 366,810	2/1996	Yeh	D7/536
D. 372,839	8/1996	Laib	D7/536
D. 373,051	8/1996	Kramer et al.	D7/536
D. 373,927	9/1996	Kramer et al.	D7/392.1
D. 379,738	6/1997	Liming et al.	D7/511
D. 382,174	8/1997	Grimm	D7/510
D. 384,860	10/1997	Trombly	D7/536
D. 386,948	12/1997	Wissinger	D7/533

D. 387,620	12/1997	Trombly	D7/510
D. 396,381	7/1998	Chung	D7/510
D. 396,777	8/1998	Inoue	D7/511
D. 397,912	9/1998	Goessling, Jr.	D7/536
5,573,139	11/1996	Yeh	720/360

Primary Examiner—M. N. Pandozzi
Attorney, Agent, or Firm—Robert J. Veal; Christopher A. Holland; Burr & Forman LLP

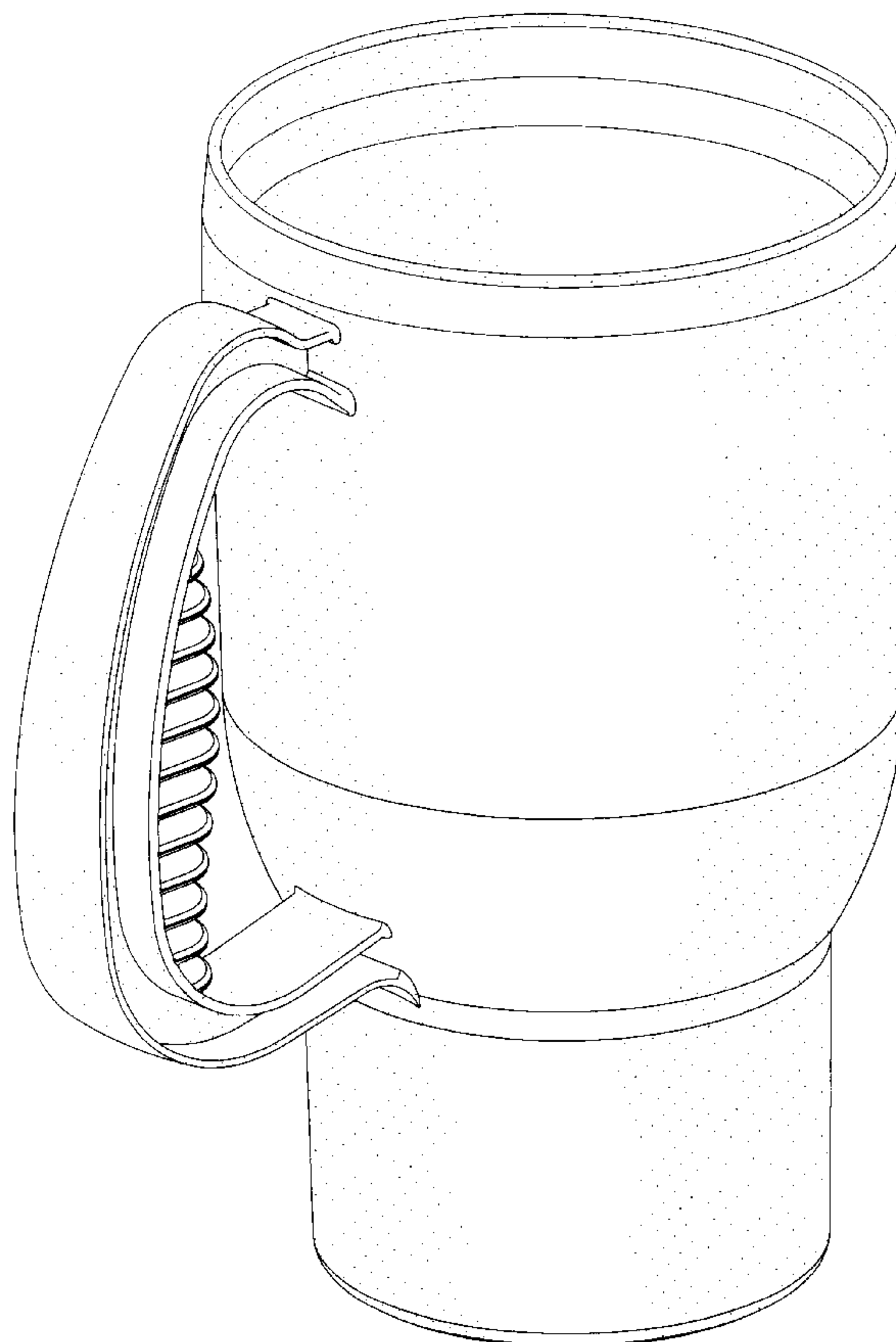
[57] **CLAIM**

The ornamental design for a cup, as shown and described.

DESCRIPTION

FIG. 1 is a perspective view of a cup showing my new design;
 FIG. 2 is a side elevational view thereof, the side not shown being a mirror image of the side shown;
 FIG. 3 a side elevational view as seen from the left side of FIG. 2;
 FIG. 4 is side elevational view as seen from the right side of FIG. 2;
 FIG. 5 is a top plan view thereof;
 FIG. 6 is bottom view thereof; and
 FIG. 7 is a side elevational view of an alternate embodiment, with the top and bottom of the alternate embodiment being identical to the first embodiment as illustrated in FIGS. 5 and 6; and,
 FIG. 8 is a perspective view of the alternate embodiment of the cup as illustrated in FIG. 7.

1 Claim, 7 Drawing Sheets



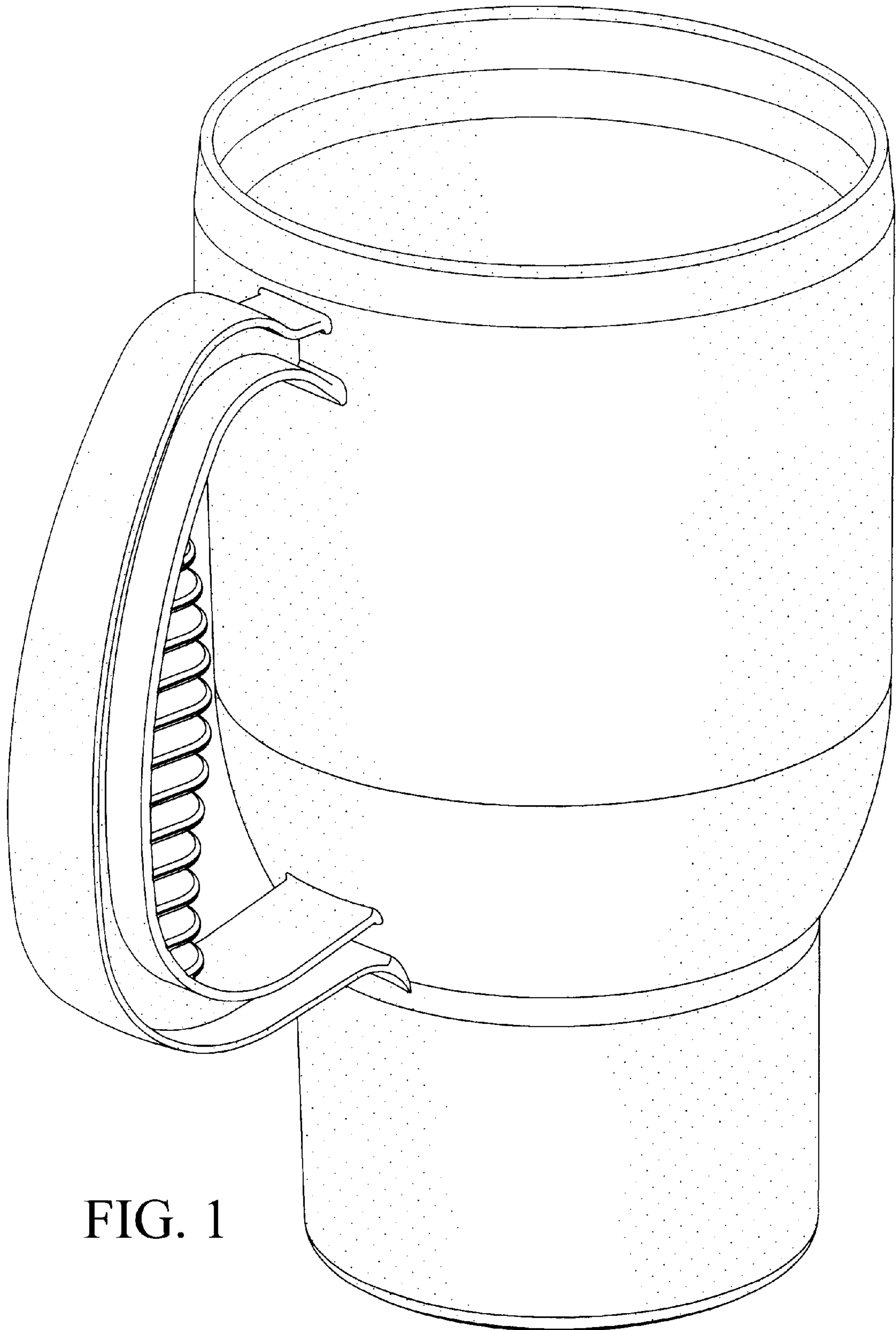


FIG. 1

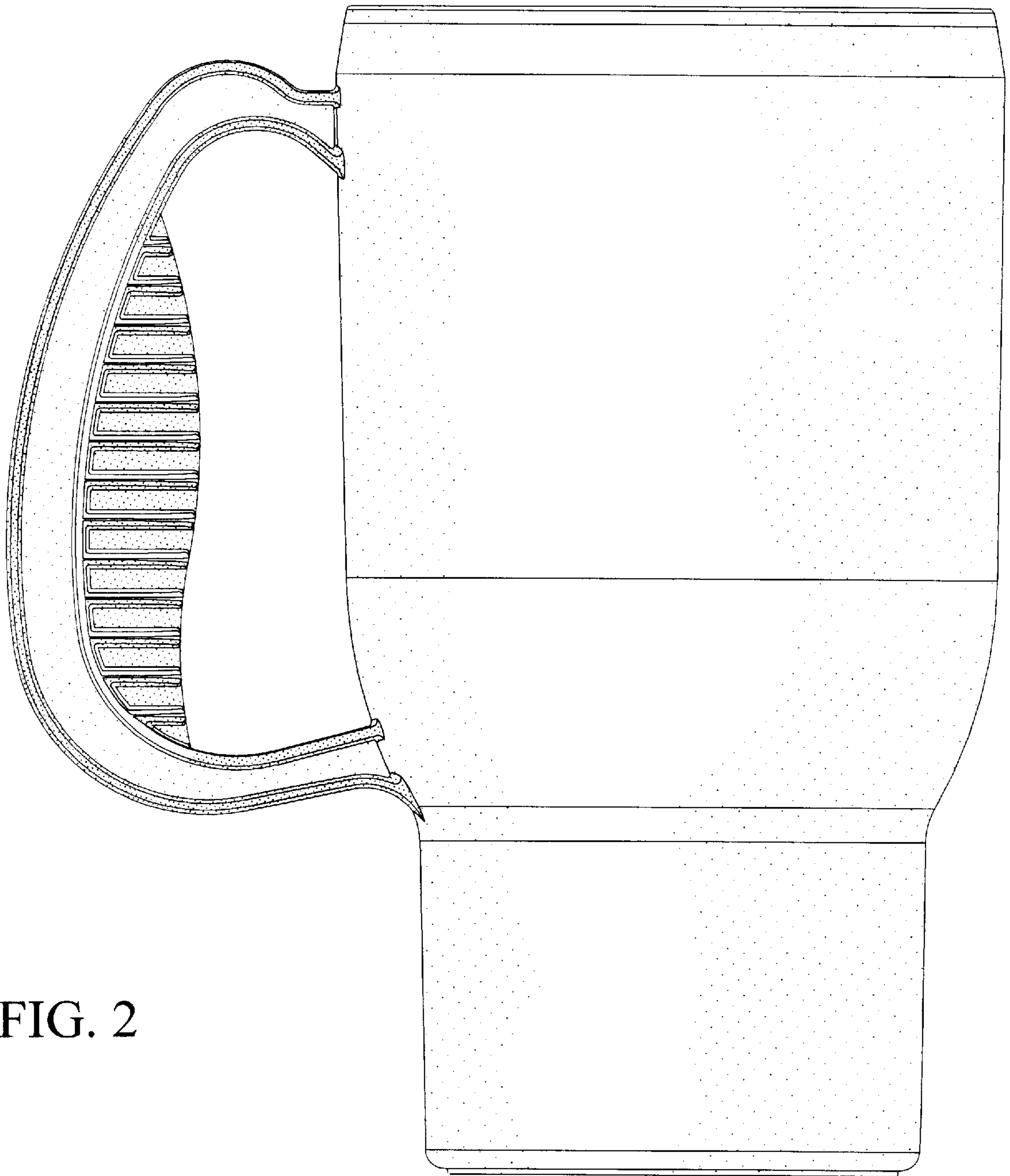


FIG. 2

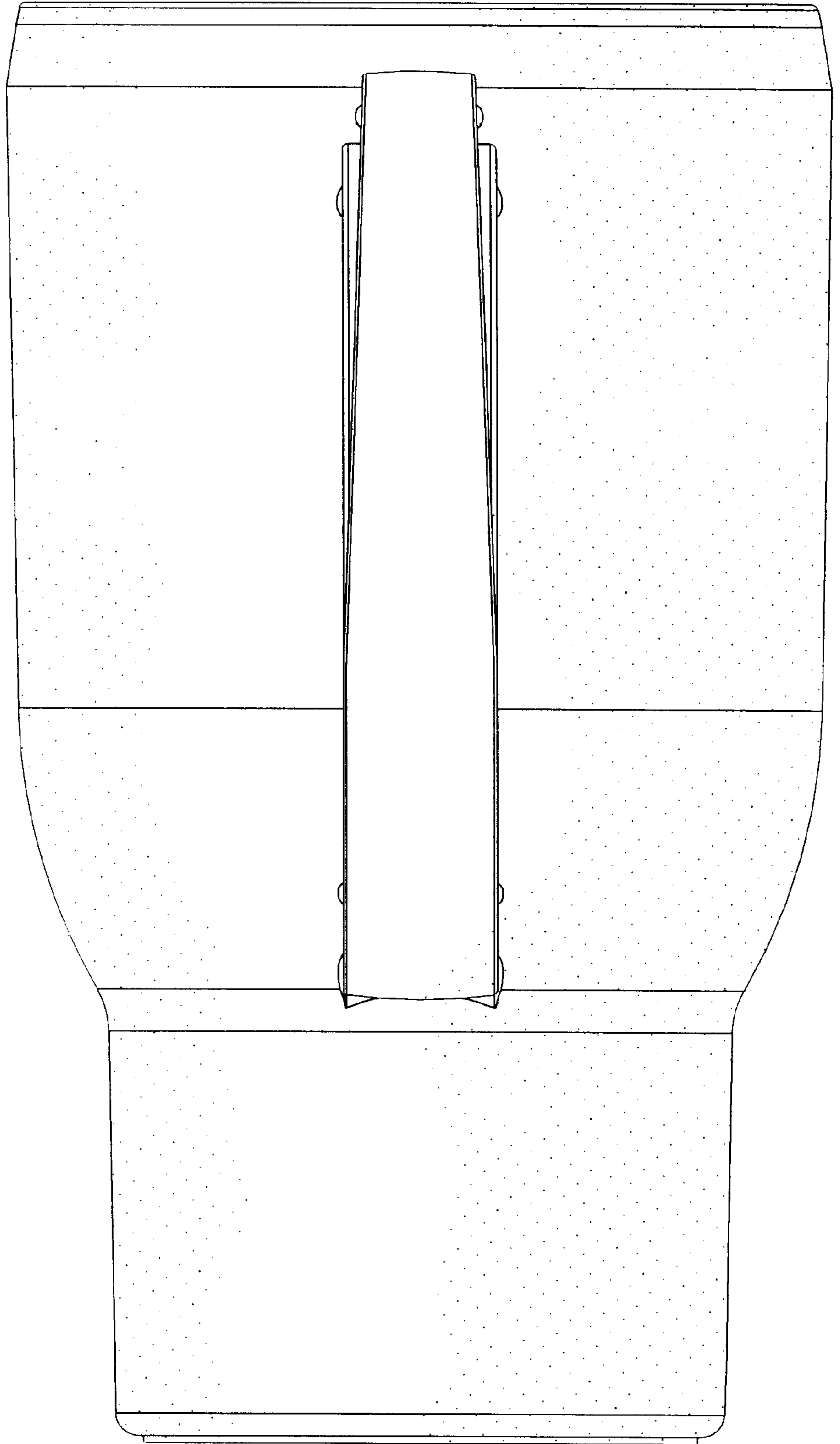


FIG. 3

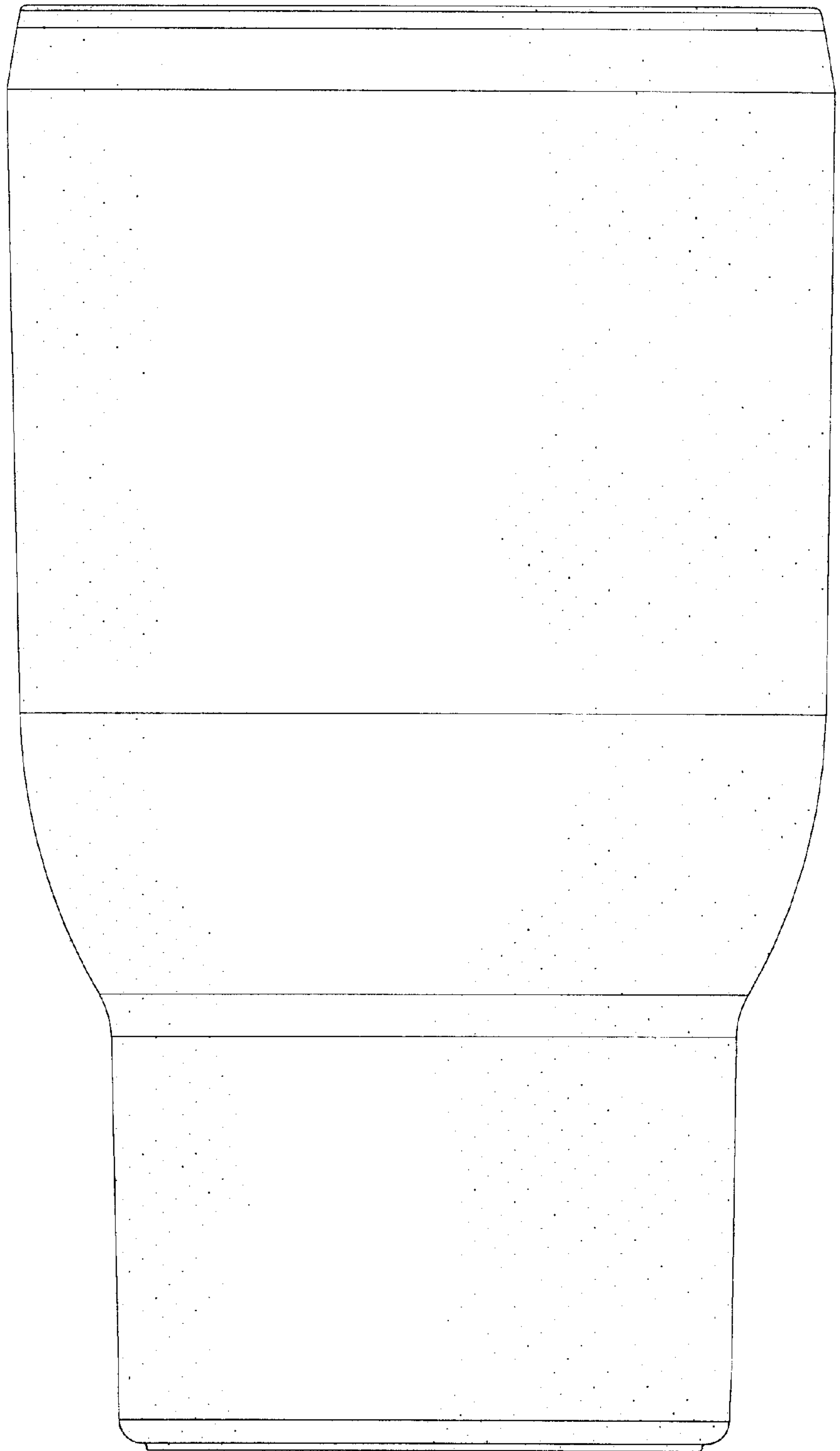


FIG. 4

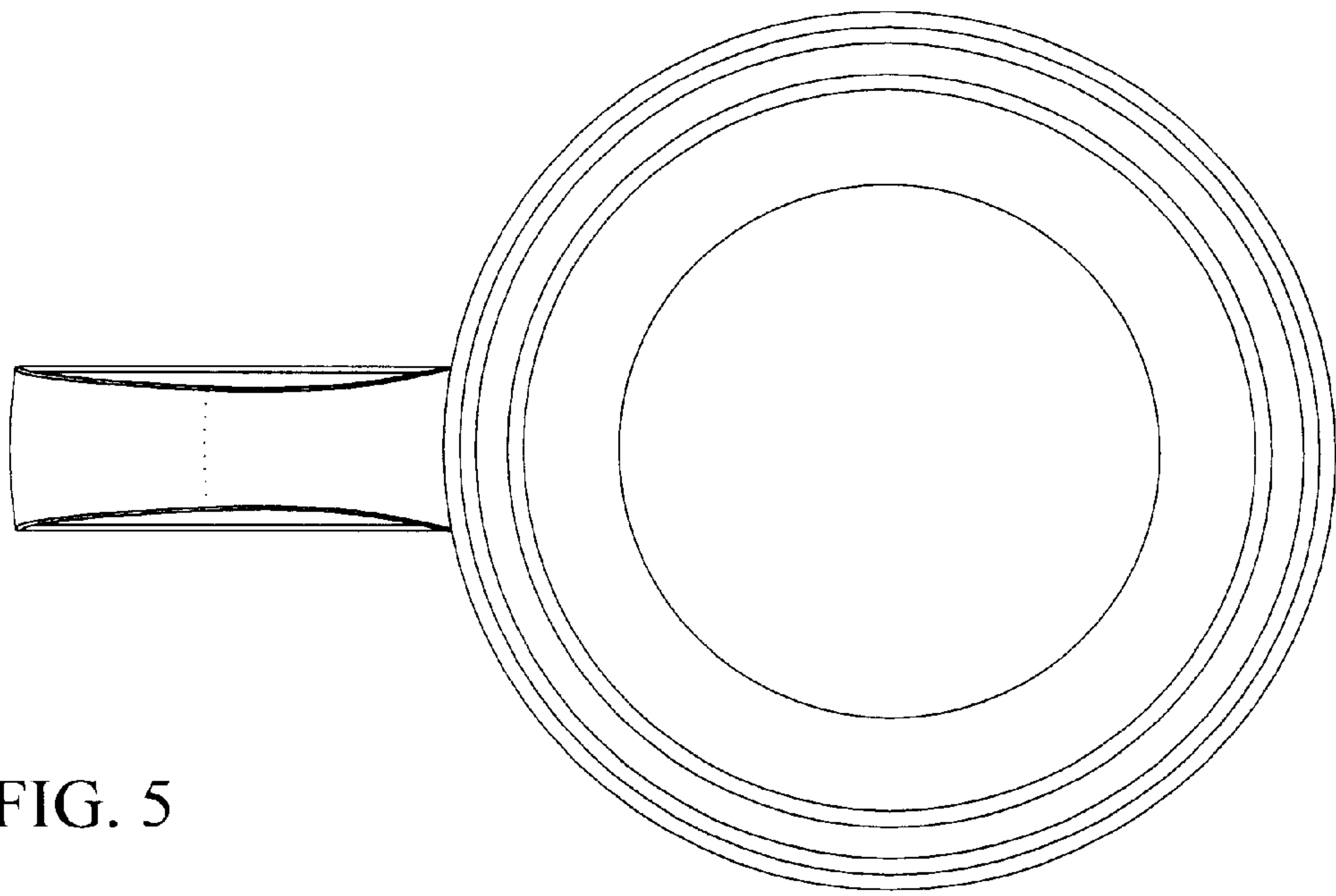


FIG. 5

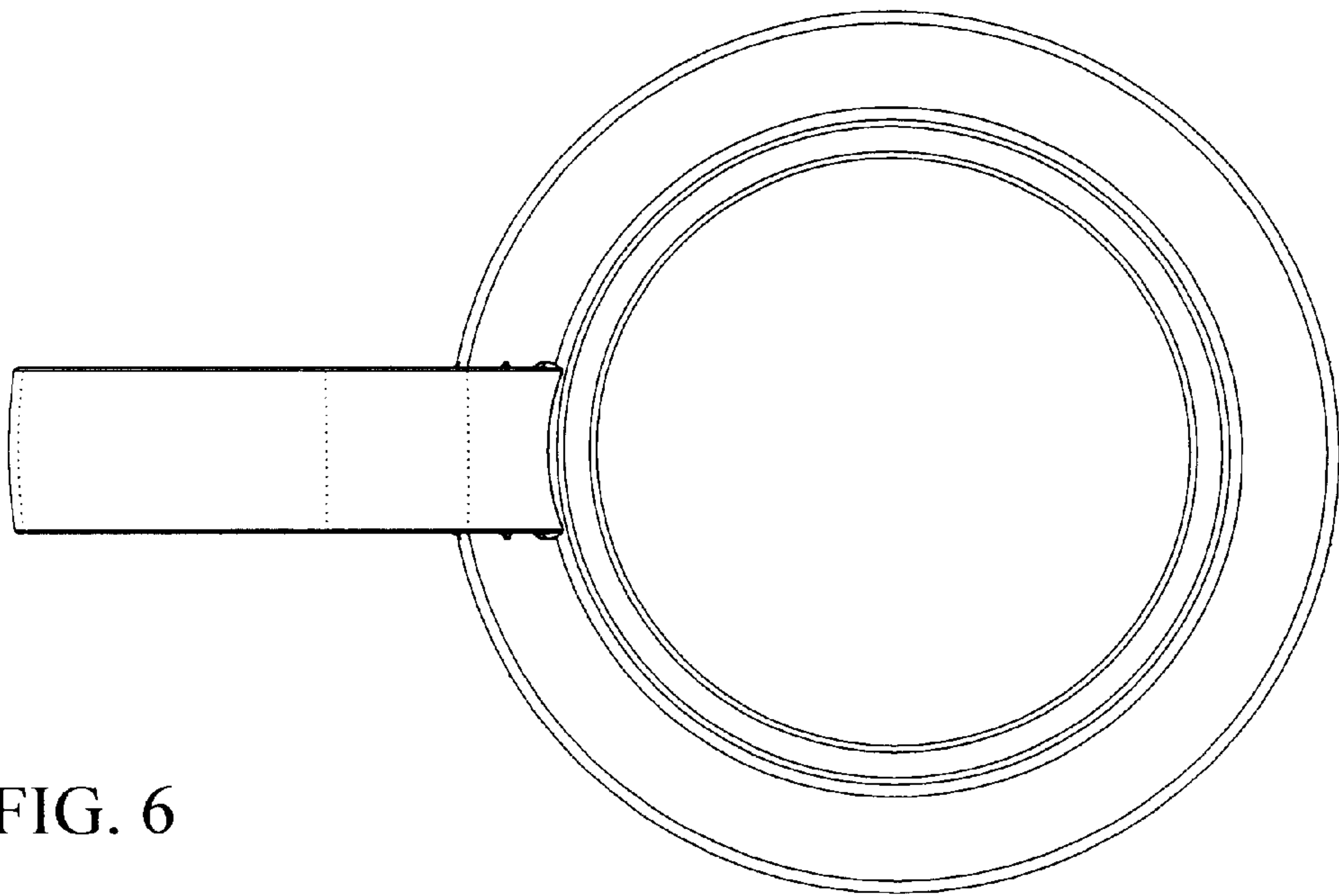


FIG. 6

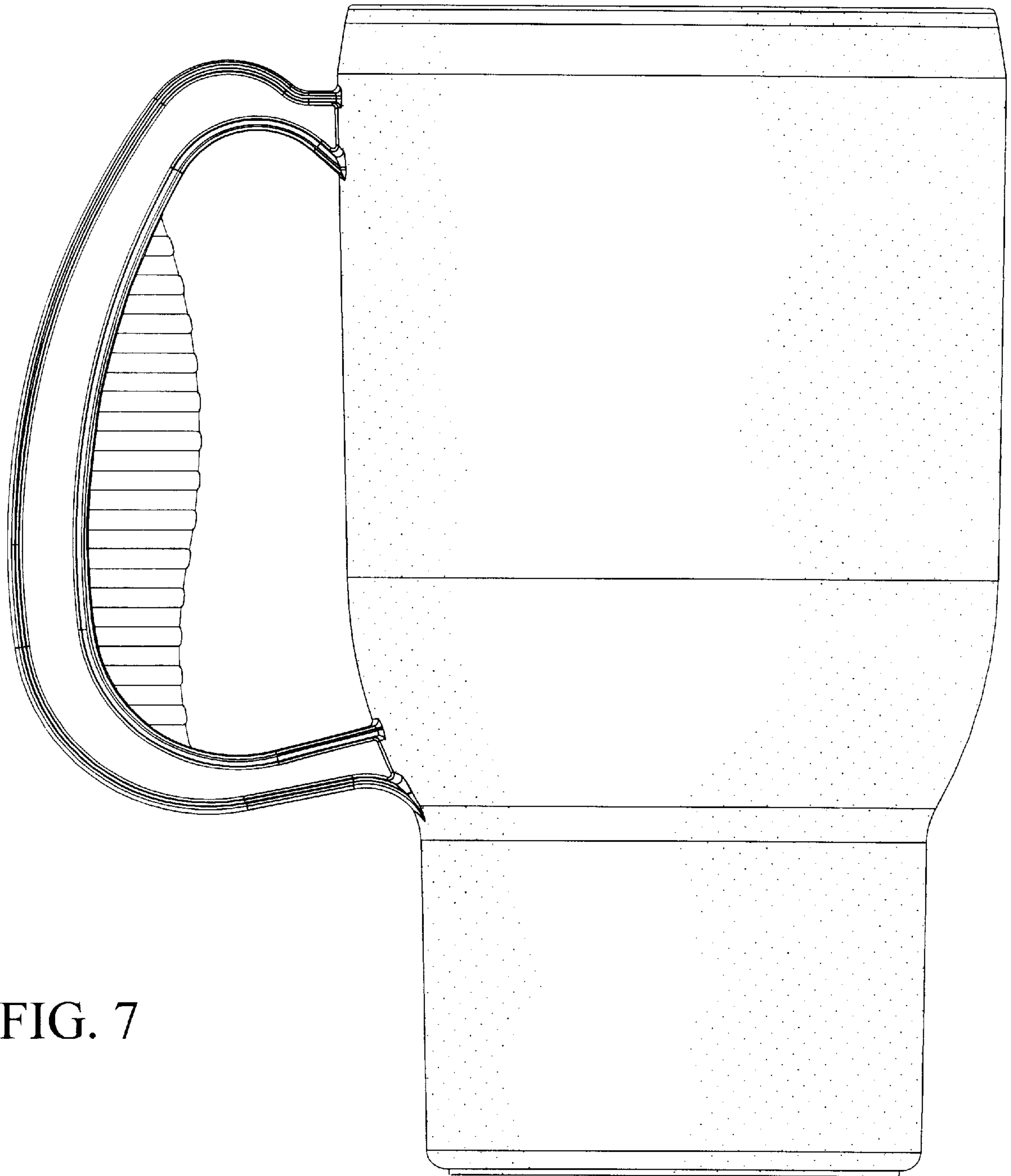


FIG. 7

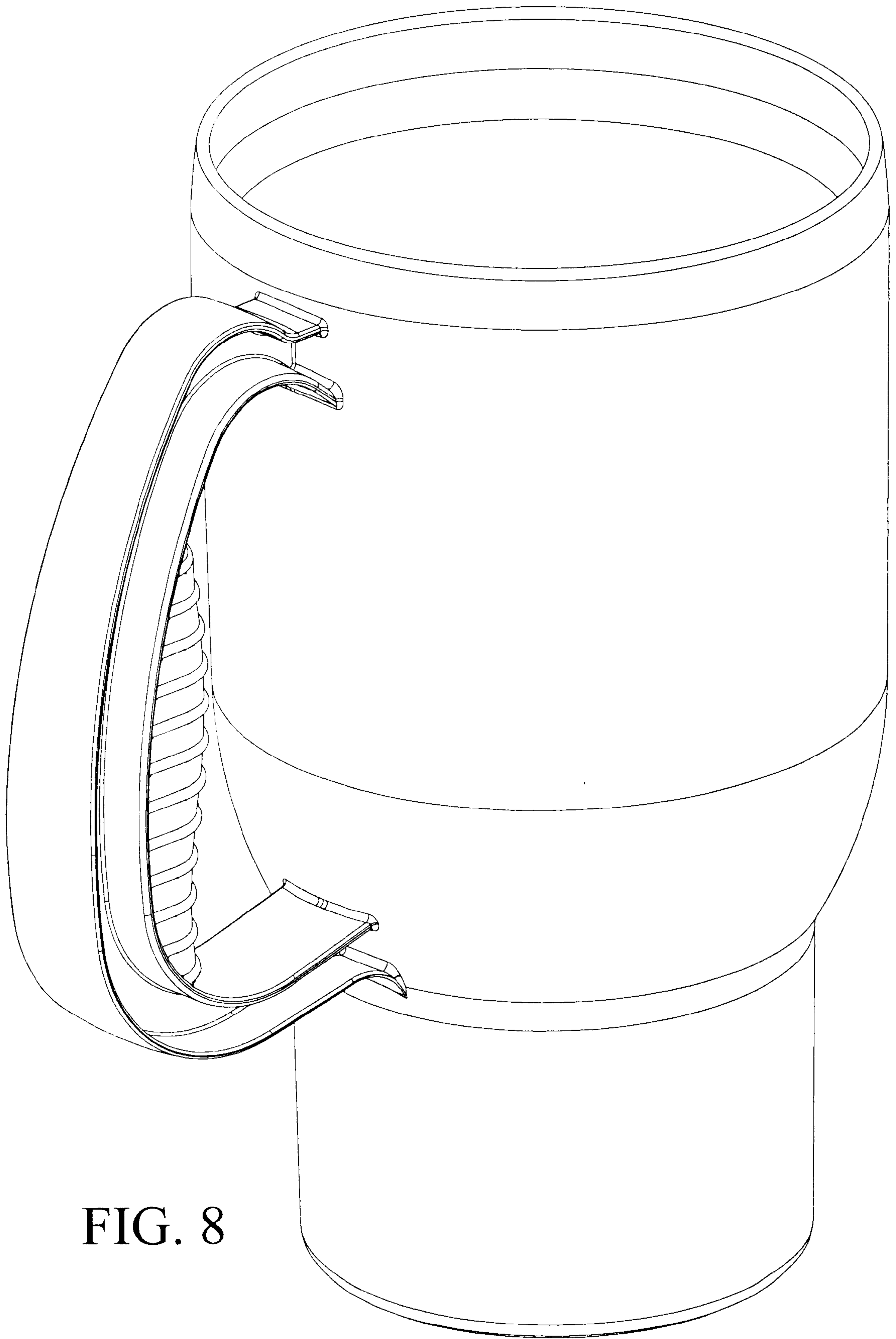


FIG. 8