



US00D433874S

United States Patent [19] Cragg

[11] **Patent Number: Des. 433,874**

[45] **Date of Patent: ** Nov. 21, 2000**

[54] **BARBECUE GRILL SHAPED LIKE A SOCCER BALL**

[76] Inventor: **Brandon Cragg**, 119 Merriam Ave.,
Newton, N.J. 07860

[**] Term: **14 Years**

[21] Appl. No.: **29/111,133**

[22] Filed: **Sep. 22, 1999**

[51] **LOC (7) Cl.** **07-02**

[52] **U.S. Cl.** **D7/402**

[58] **Field of Search** D7/331-337, 402-403;
26/25 R, 25 A, 25 AA, 9 R, 29-30, 39 R,
41 R; 99/419, 421 R; D21/707, 710, 713,
714, 716, 498, 548-550, 453

[56] **References Cited**

U.S. PATENT DOCUMENTS

D. 259,611	6/1981	Martin	D6/303
D. 314,882	2/1991	Bethel, Jr.	D7/334
D. 357,386	4/1995	Jones	D7/606
D. 358,324	5/1995	Mitchell	D9/307
D. 373,282	9/1996	Cordero	D7/334
D. 385,146	10/1997	Fielding et al.	D7/332
D. 396,599	8/1998	Smith, Jr.	D7/332
D. 416,770	11/1999	Thorpe	D7/710

D. 418,004	12/1999	Taylor, Jr.	D7/332
D. 418,359	1/2000	Taylor, Jr.	D7/332
D. 418,514	1/2000	Adelaar	D14/232
D. 419,387	1/2000	Hansen	D7/606
D. 421,200	2/2000	Taylor, Jr.	D7/332
4,339,062	7/1982	Witt, Jr.	224/148.4
6,039,662	3/2000	Chan	473/604

Primary Examiner—Ruth McInroy
Attorney, Agent, or Firm—Robert M. Downey, P.A.

[57] **CLAIM**

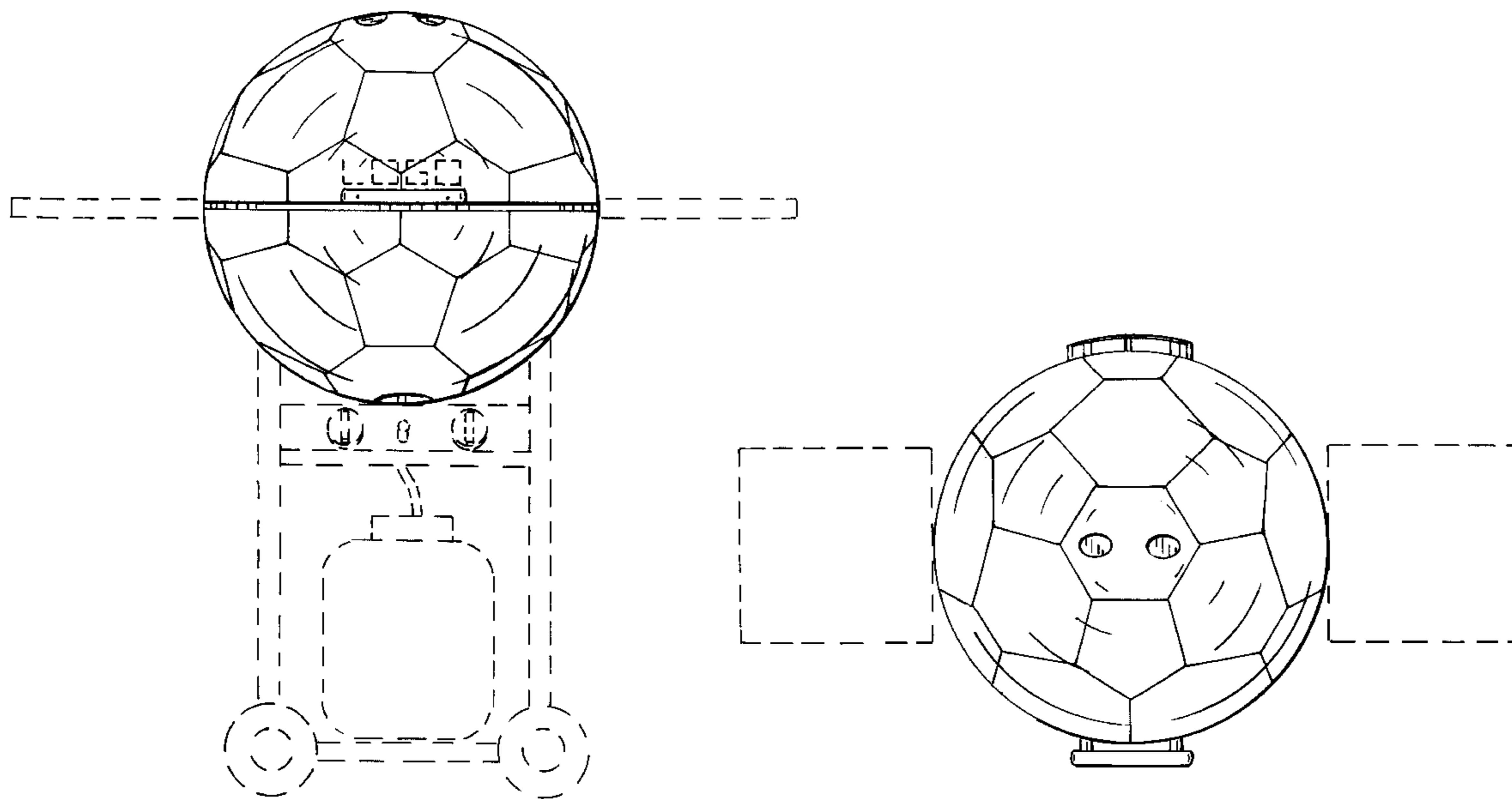
The ornamental design for a barbecue grill shaped like a soccer ball, as shown and described.

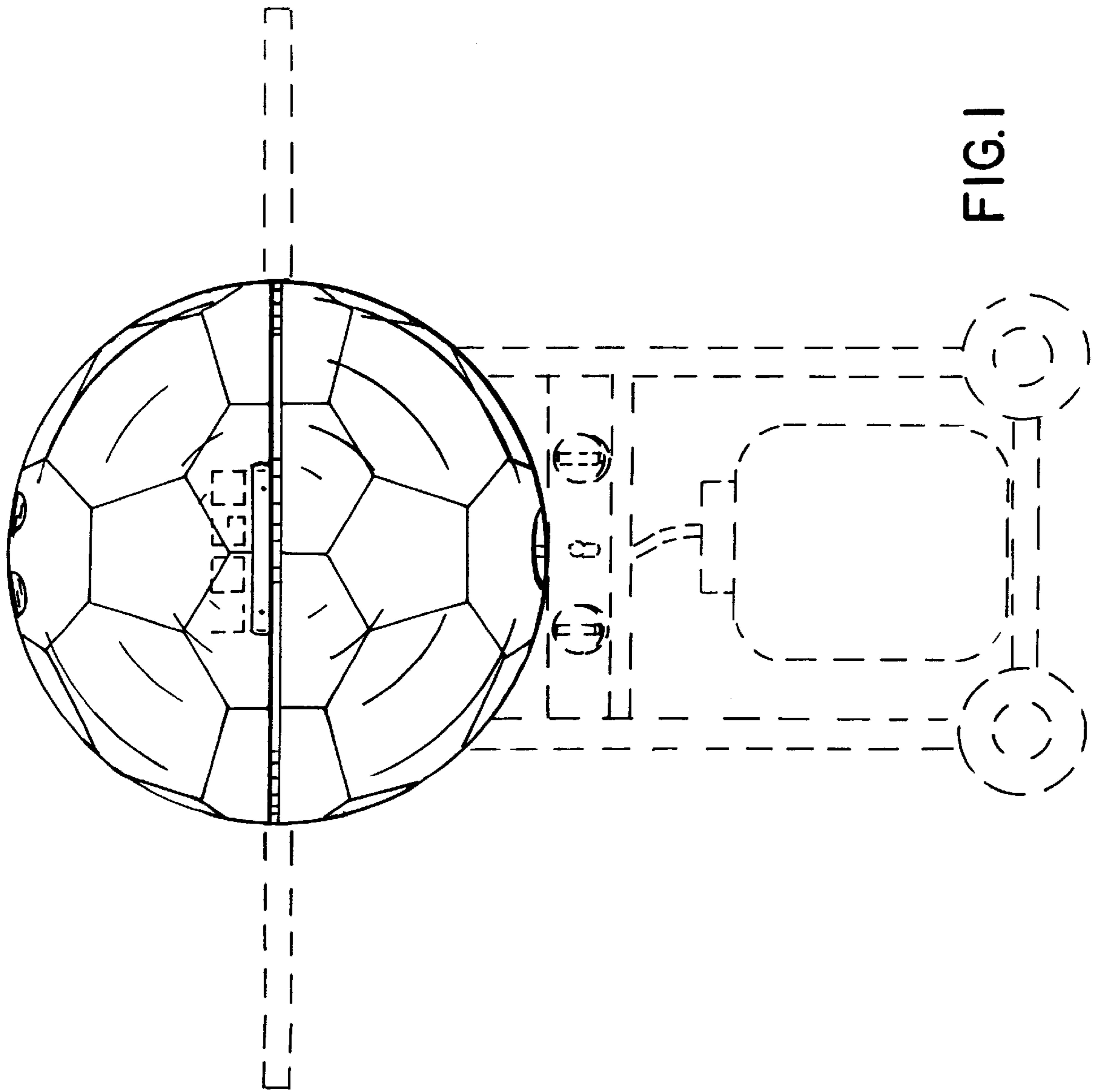
DESCRIPTION

FIG. 1 is a front elevational view of a barbecue grill shaped like a soccer ball showing my new design;
FIG. 2 is a rear elevational view thereof;
FIG. 3 is a left side elevational view thereof, the right side elevational view being identical thereto;
FIG. 4 is a top plan view thereof; and,
FIG. 5 is a bottom plan view thereof.

The broken lines showing the barbecue cart including the console panel, the side tables, the gas tank, and the logos are for illustrative purposes only and form no part of the claimed design.

1 Claim, 5 Drawing Sheets





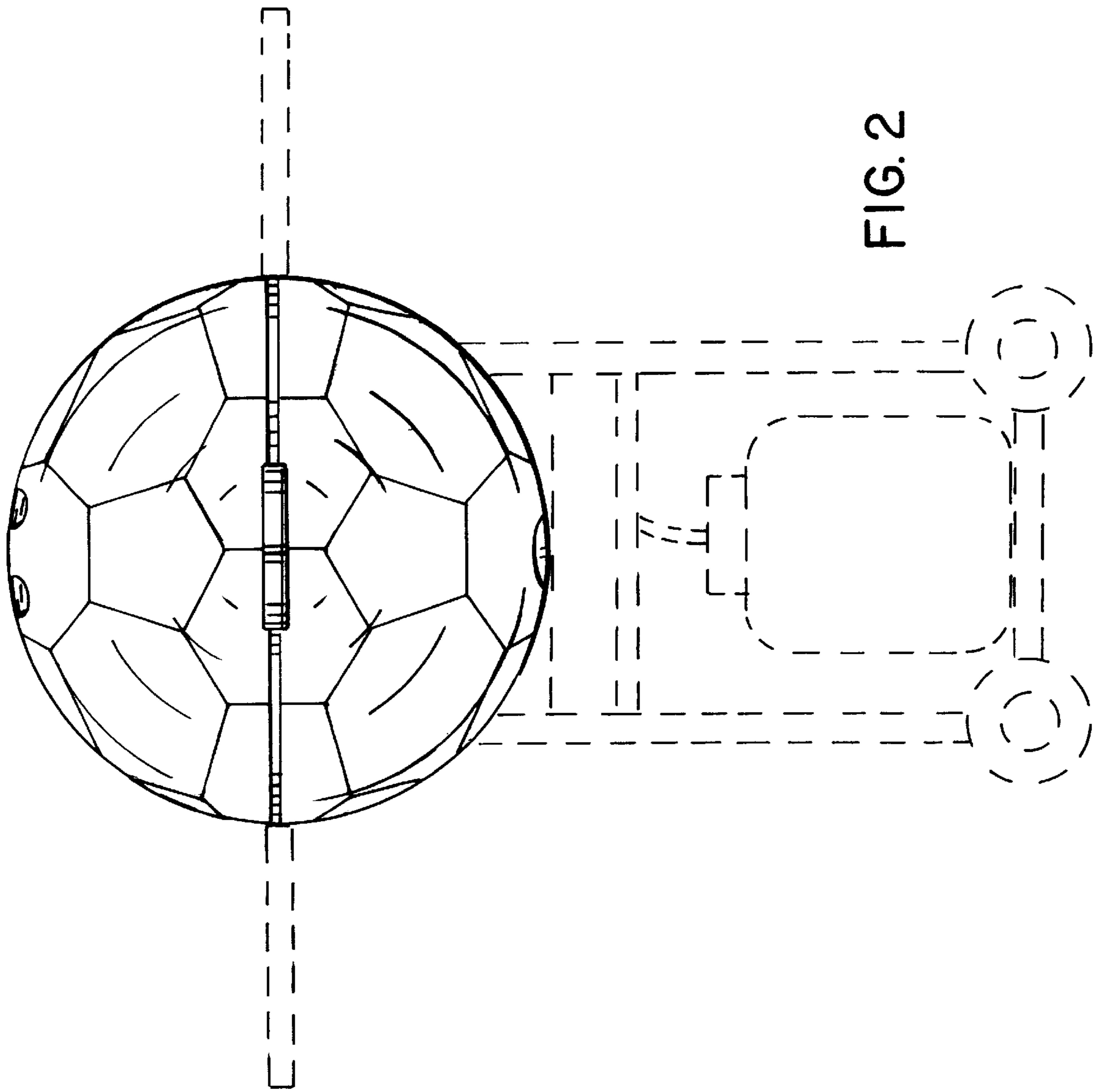


FIG. 2

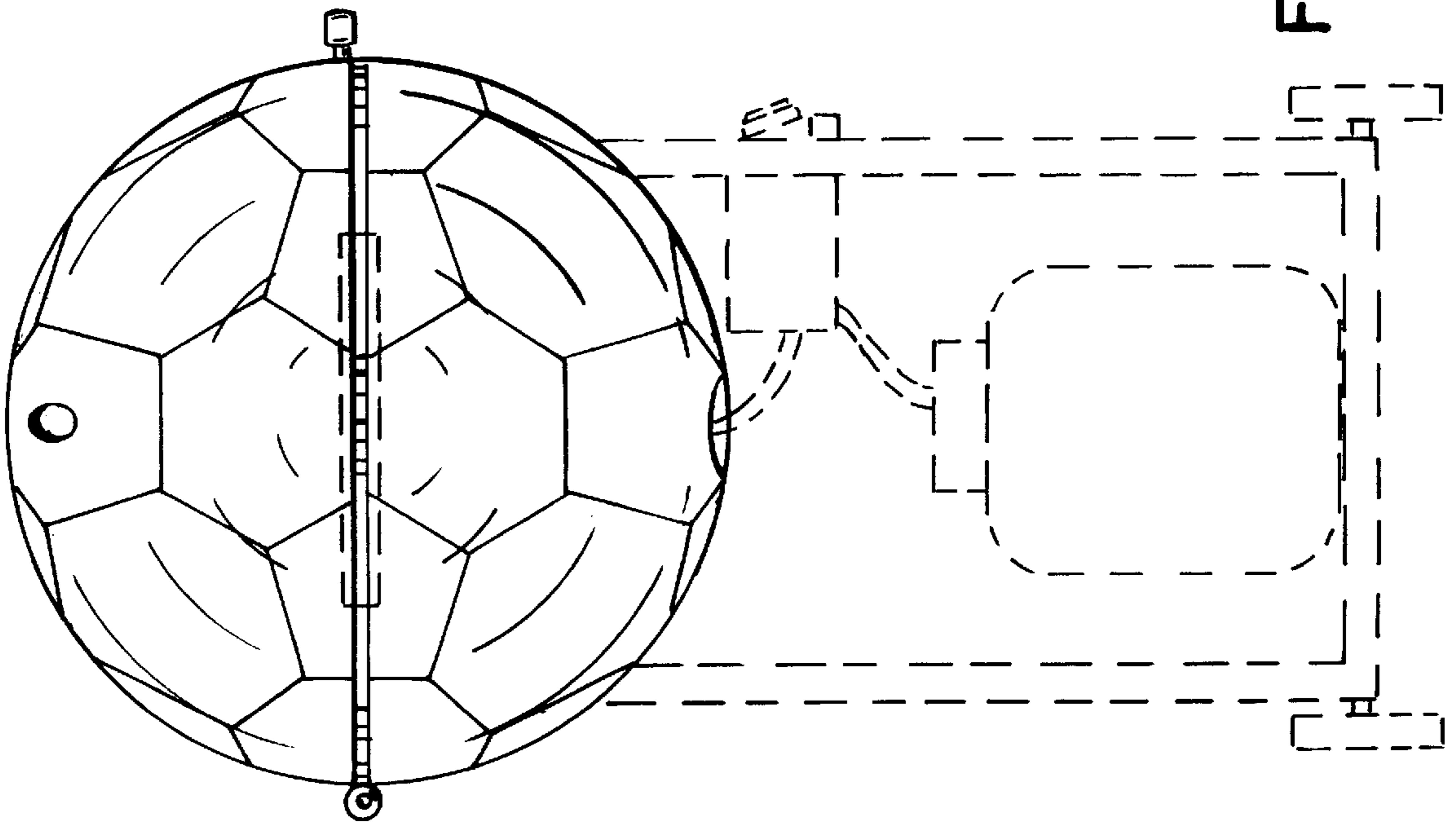


FIG. 3

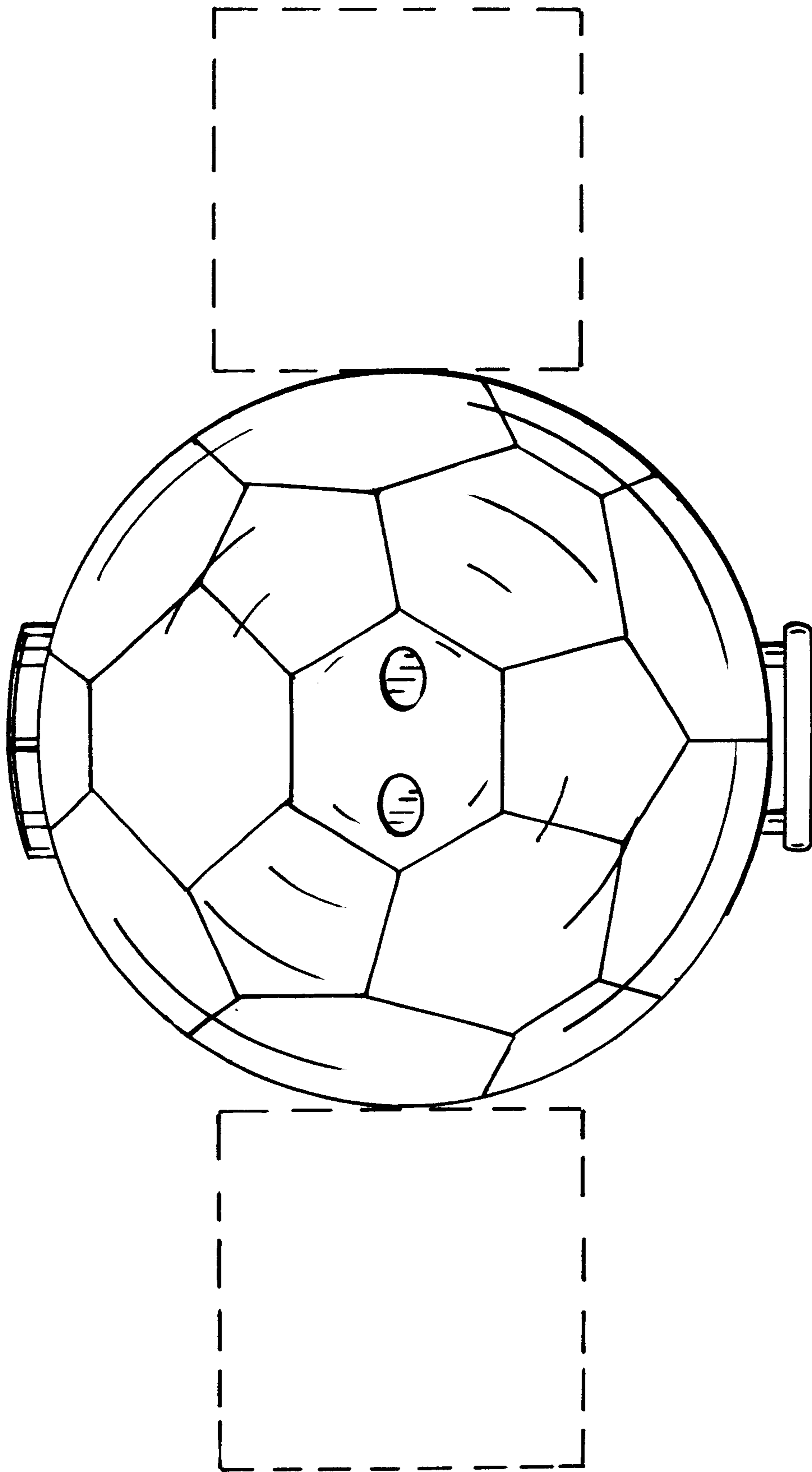


FIG. 4

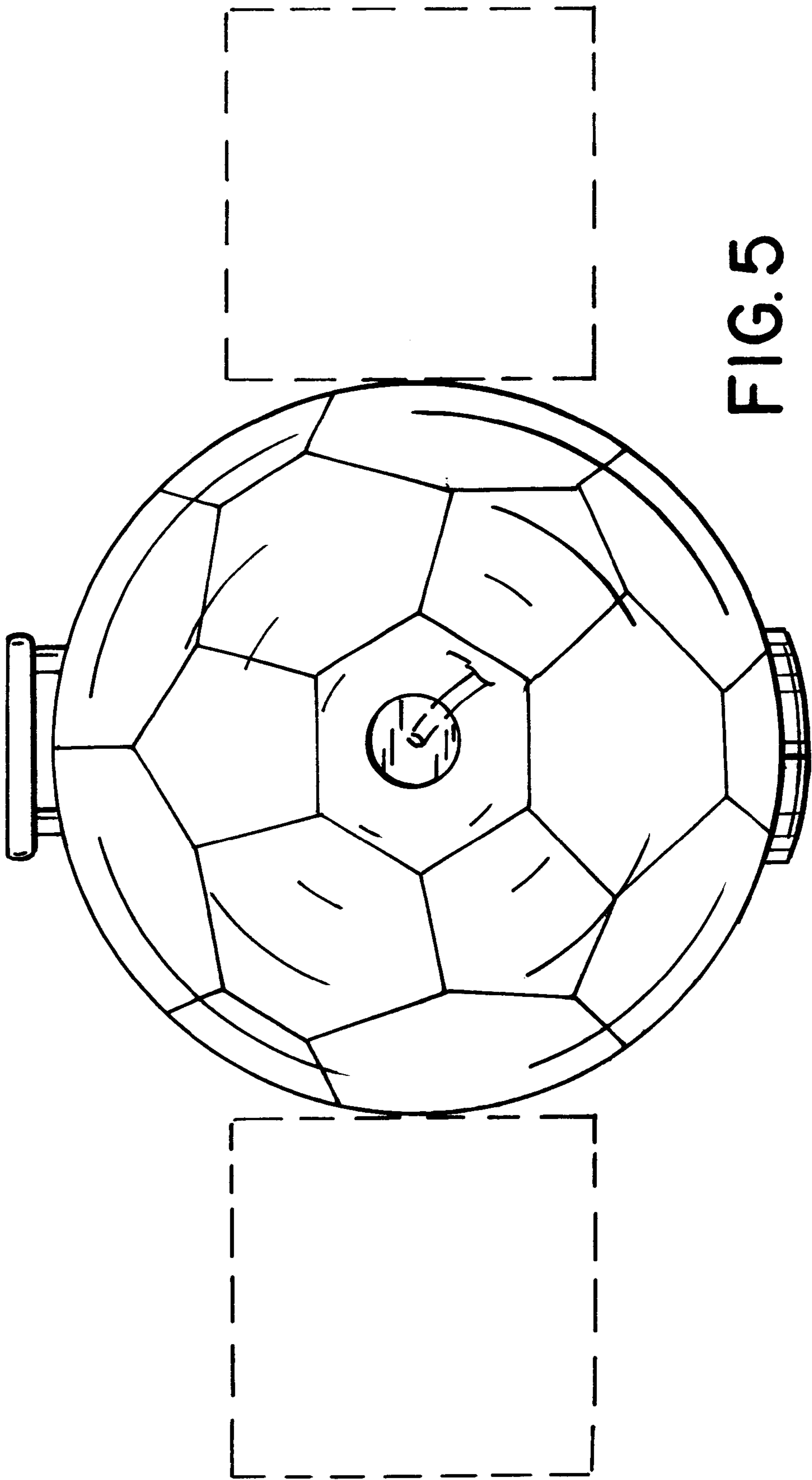


FIG. 5