



US00D433867S

United States Patent [19]

Hsu

[11] Patent Number: **Des. 433,867**

[45] Date of Patent: **** Nov. 21, 2000**

[54] **OVEN**

[75] Inventor: **Tony Hsu, Yung Kang, Taiwan**

[73] Assignee: **Lundar Electric Industrial Co., Ltd.,
Tainan Hsien, Taiwan**

[**] Term: **14 Years**

D. 422,172 4/2000 Hsu D7/350
 D. 423,280 4/2000 Lin D7/363
 5,934,180 8/1999 Lin 99/340
 6,029,649 2/2000 Su 126/200
 6,076,453 6/2000 Hsu 99/421 H

[21] Appl. No.: **29/118,934**

[22] Filed: **Feb. 22, 2000**

Primary Examiner—Ruth McInroy
Attorney, Agent, or Firm—Rosenberg, Klein & Lee

[51] **LOC (7) Cl.** **07-02**

[52] **U.S. Cl.** **D7/350**

[58] **Field of Search** D7/348, 350-351,
 D7/354, 402, 323, 360, 362-363; 126/273 R,
 200, 275 R, 294, 275 E, 41 R, 19 M, 19 R,
 21 A; 219/678, 680, 756-758, 400; 99/421 H,
 419, 426-427, 332, 482, 446, 331, 448;
 426/523

[57] **CLAIM**

The ornamental design for oven, as shown and described.

[56] **References Cited**

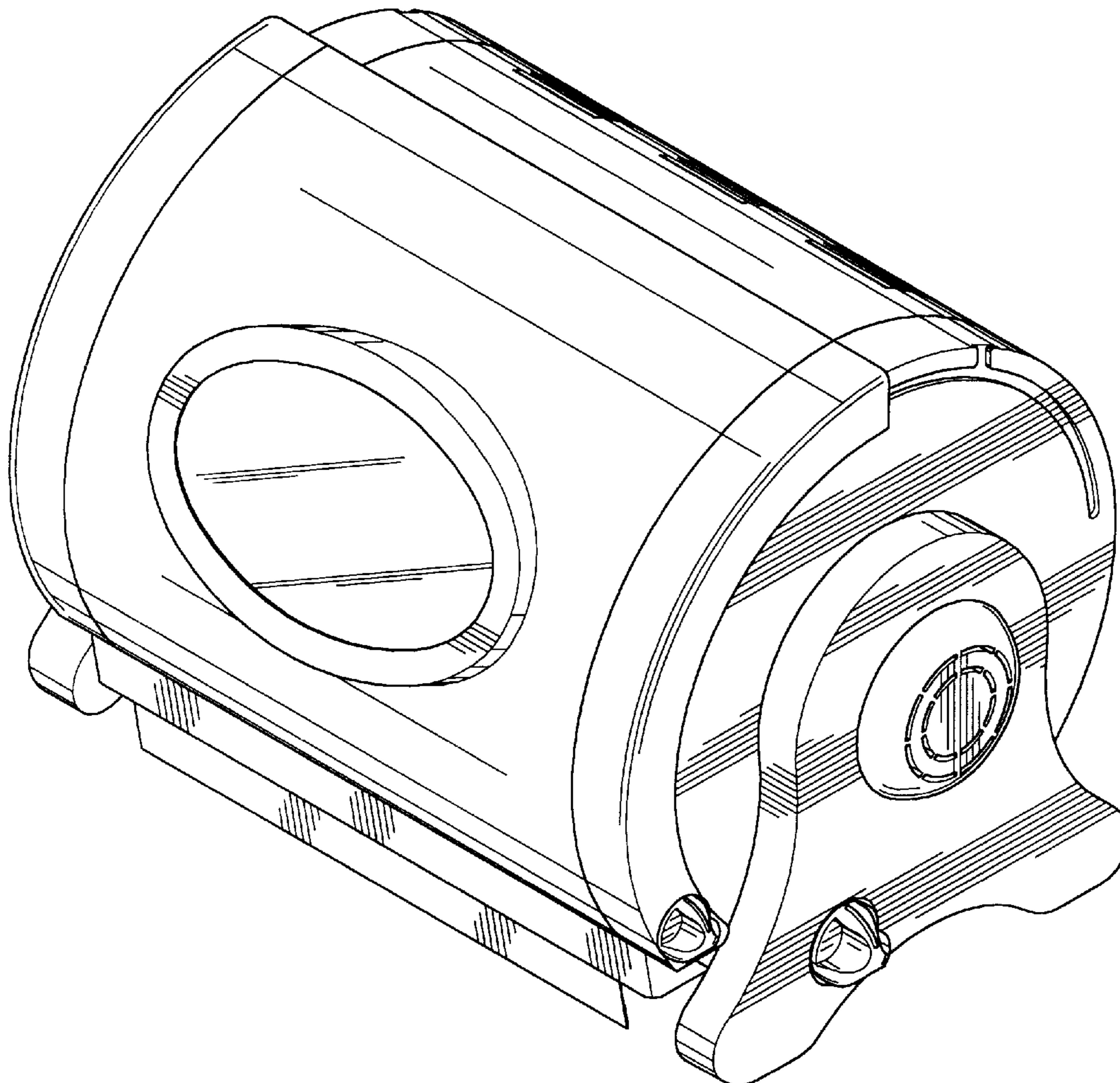
U.S. PATENT DOCUMENTS

Re. 31,833 2/1985 Loeffler et al. 99/332

DESCRIPTION

FIG. 1 is a perspective view of oven showing my present design;
 FIG. 2 is a front view thereof;
 FIG. 3 is a rear view thereof;
 FIG. 4 is a left view thereof;
 FIG. 5 is a right view thereof;
 FIG. 6 is a top plan view thereof; and,
 FIG. 7 is a bottom plan view.

1 Claim, 4 Drawing Sheets



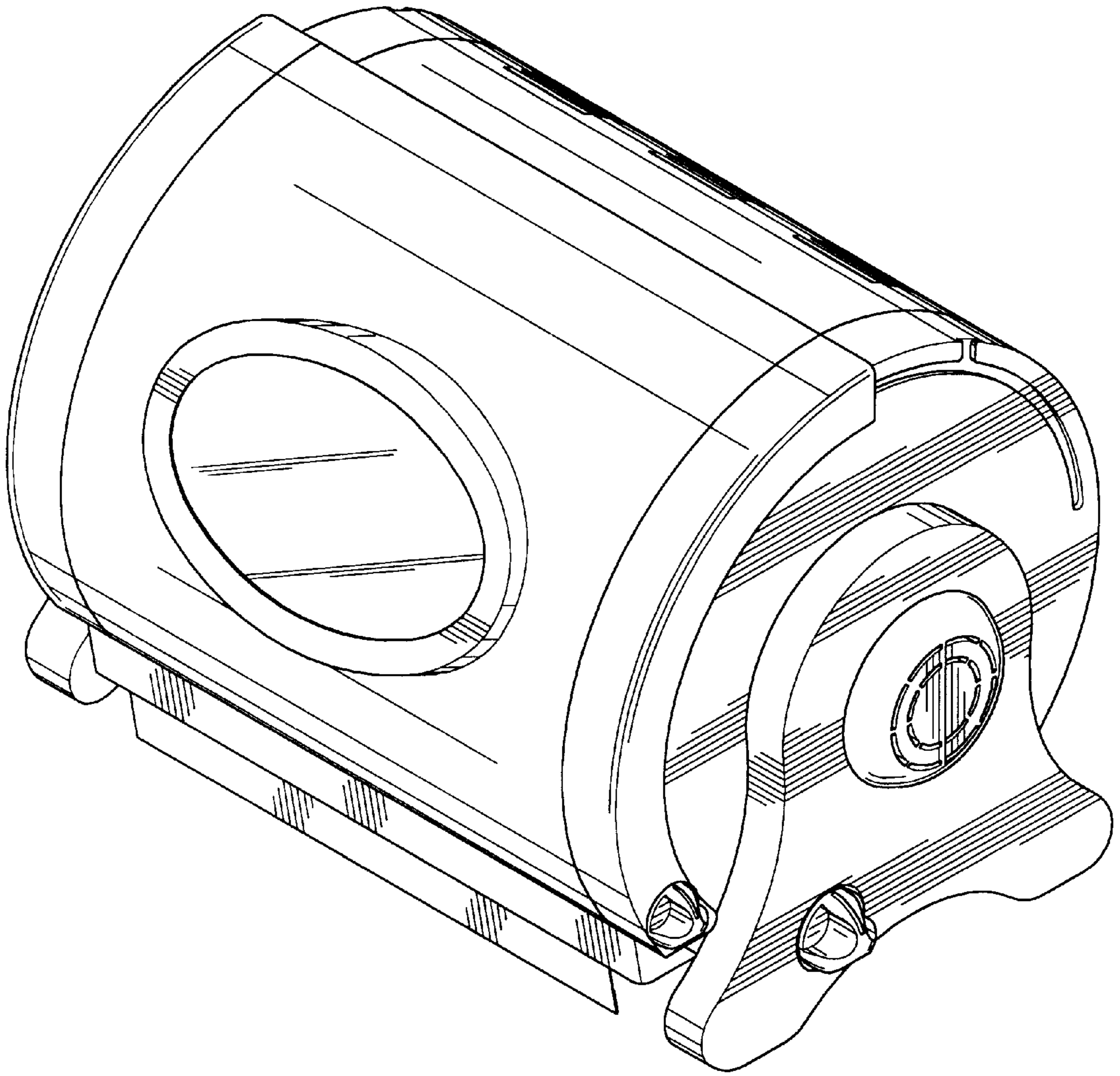


FIG. 1

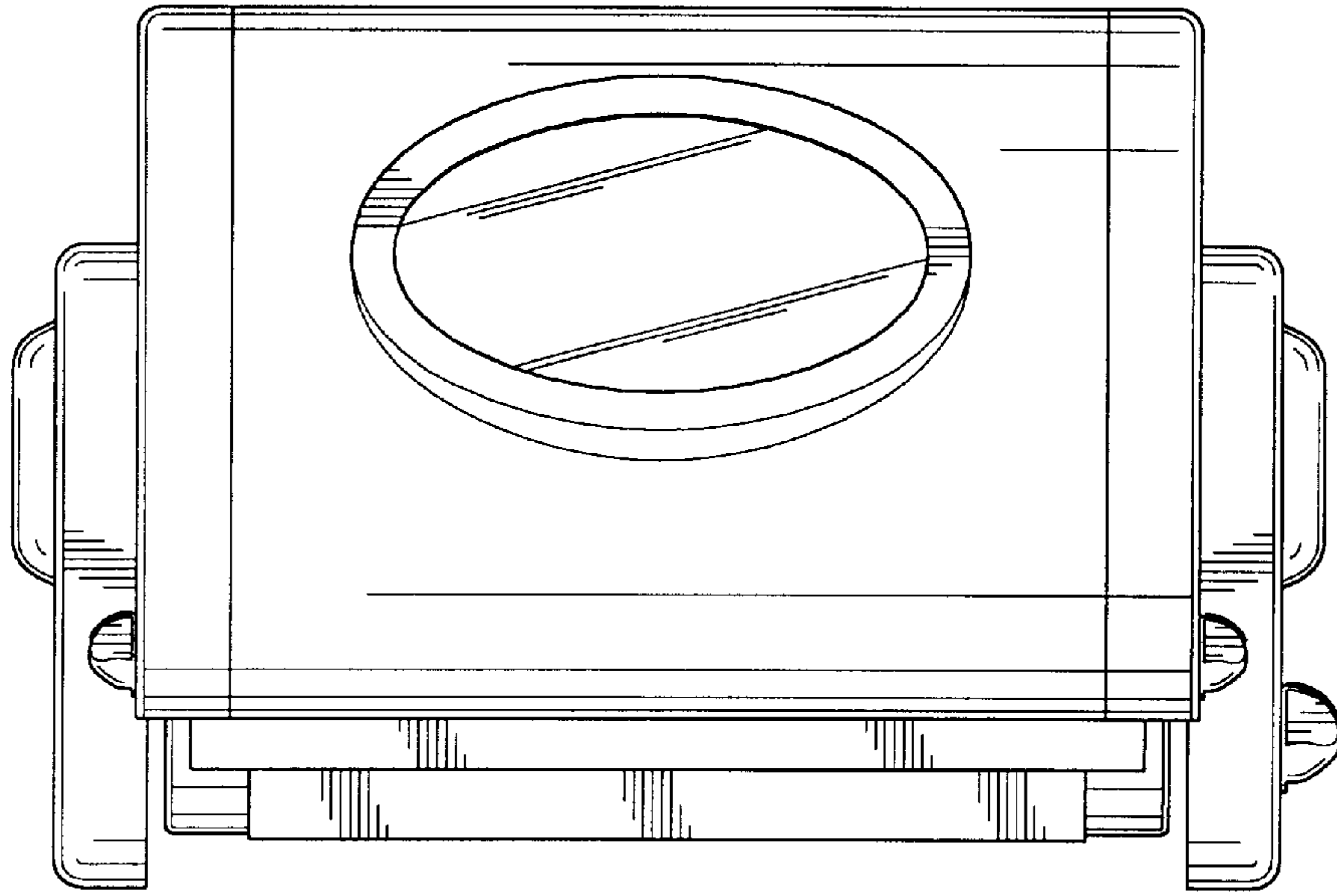


FIG. 2

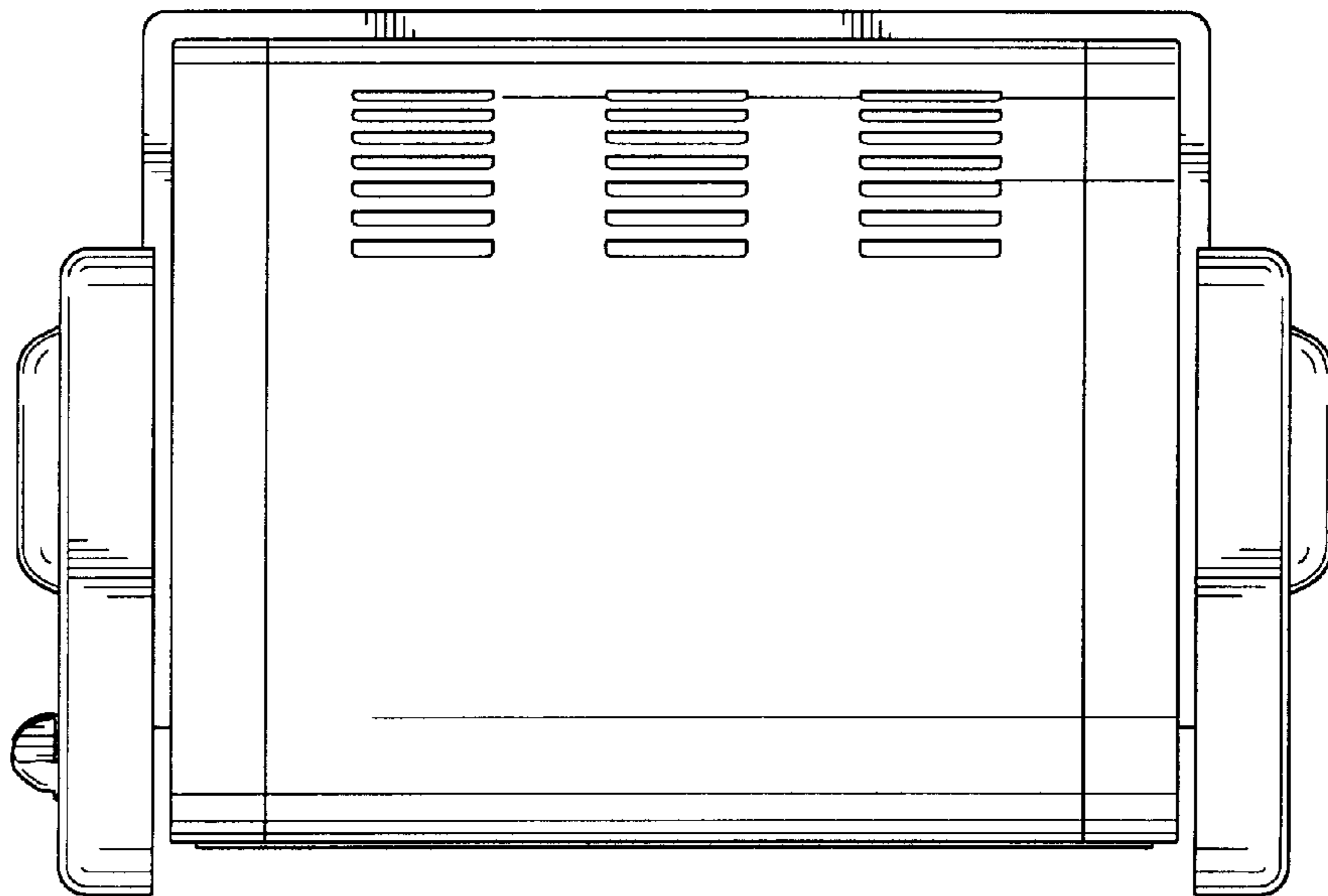


FIG. 3

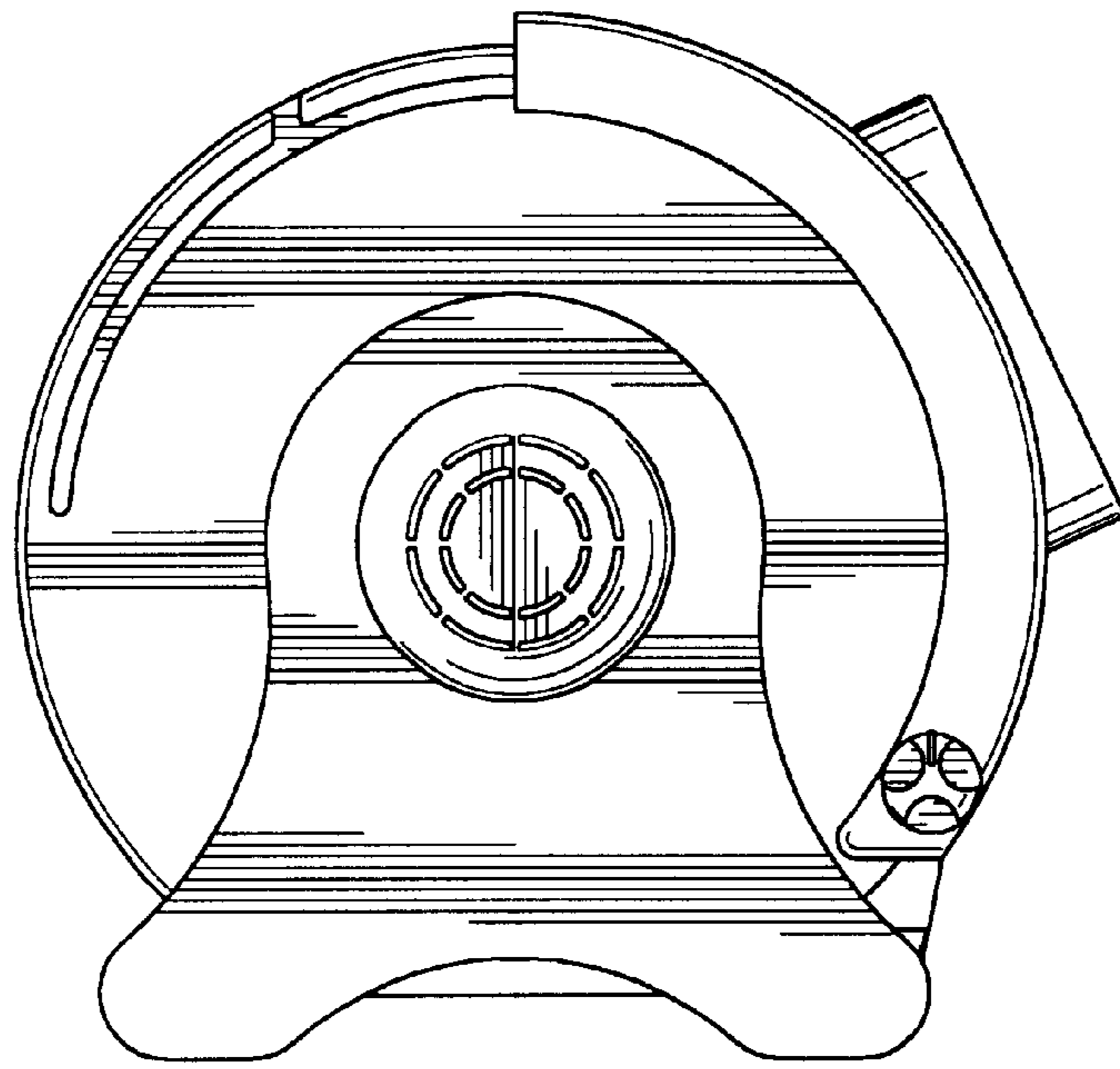


FIG. 4

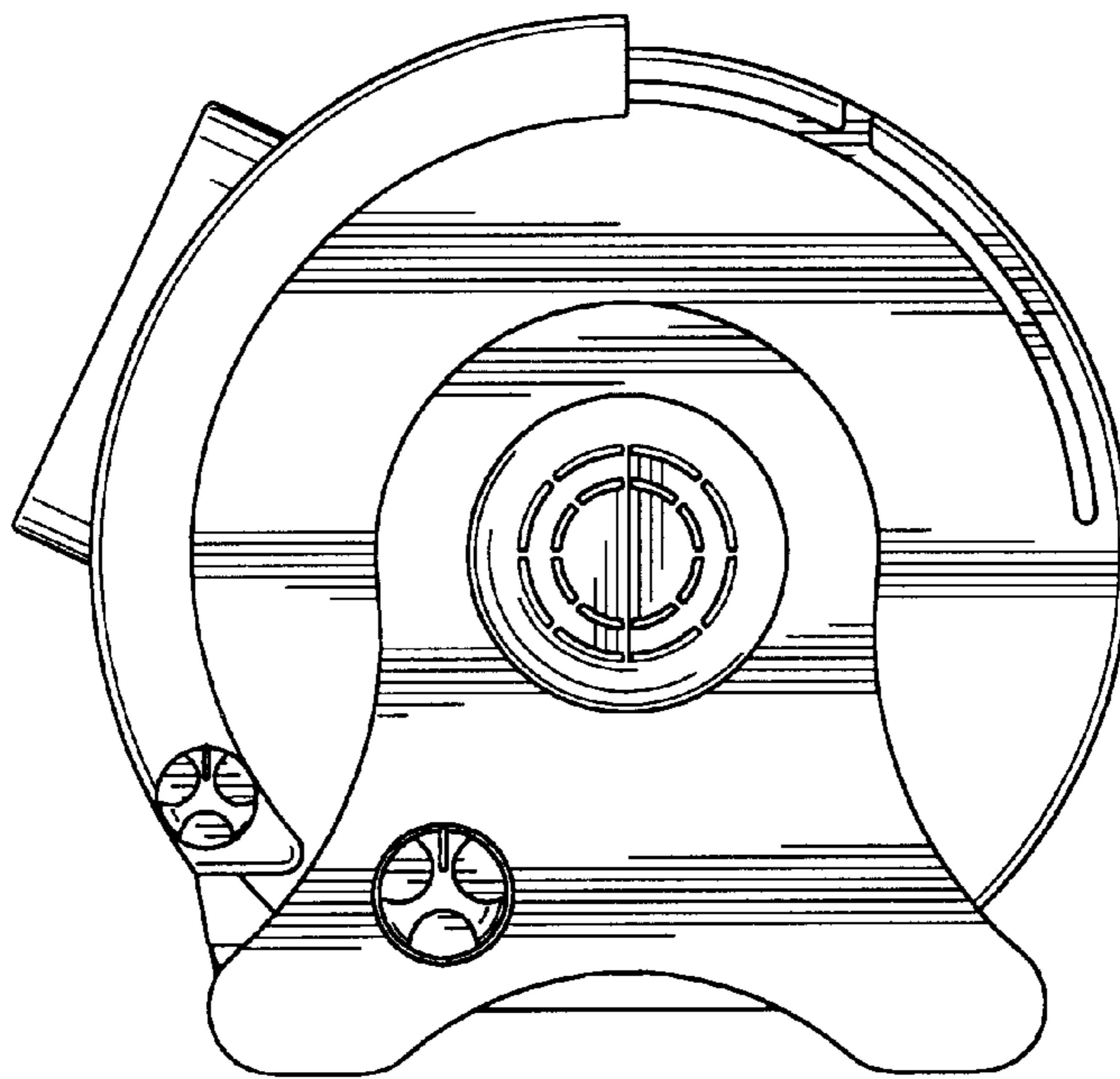


FIG. 5

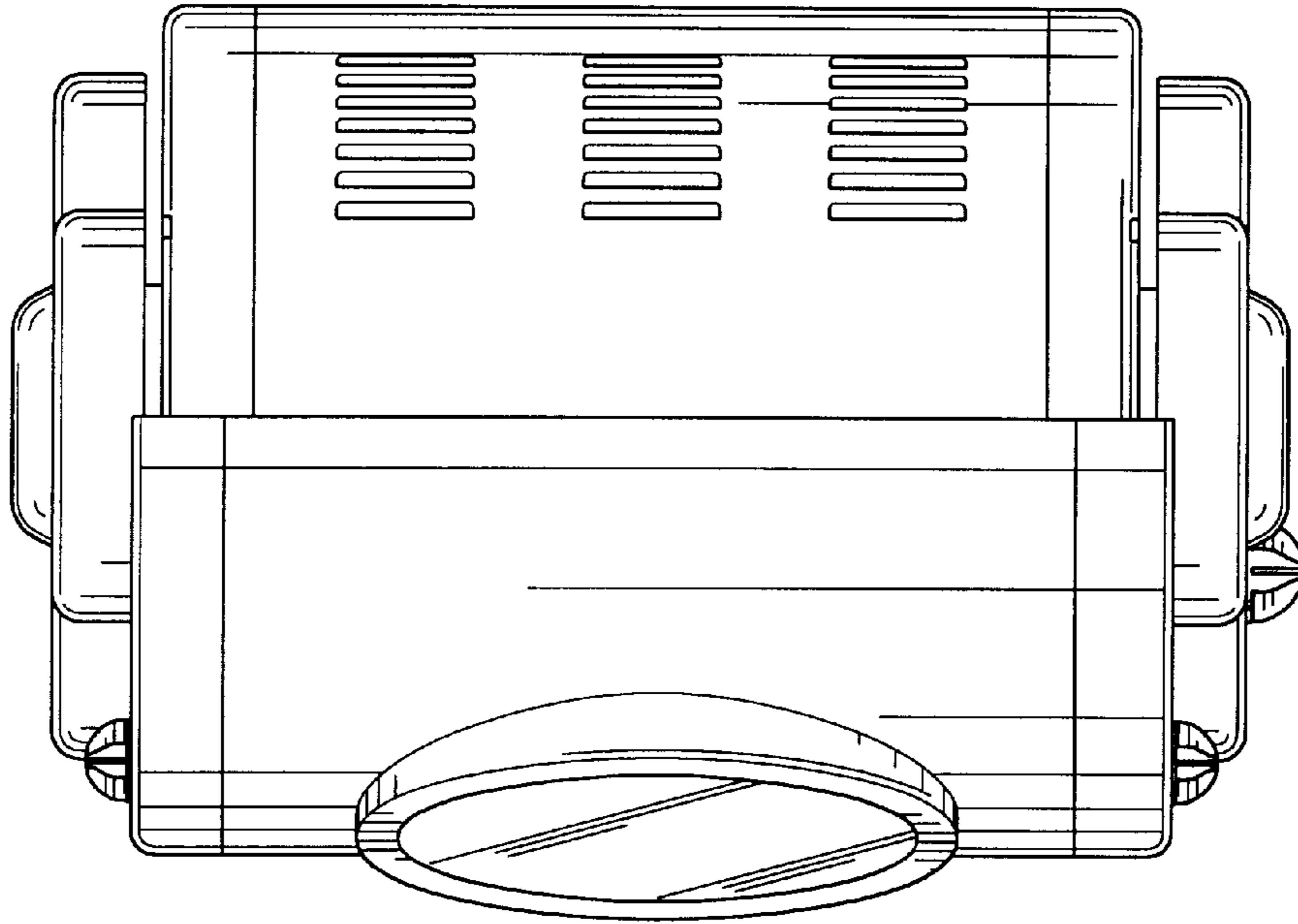


FIG. 6

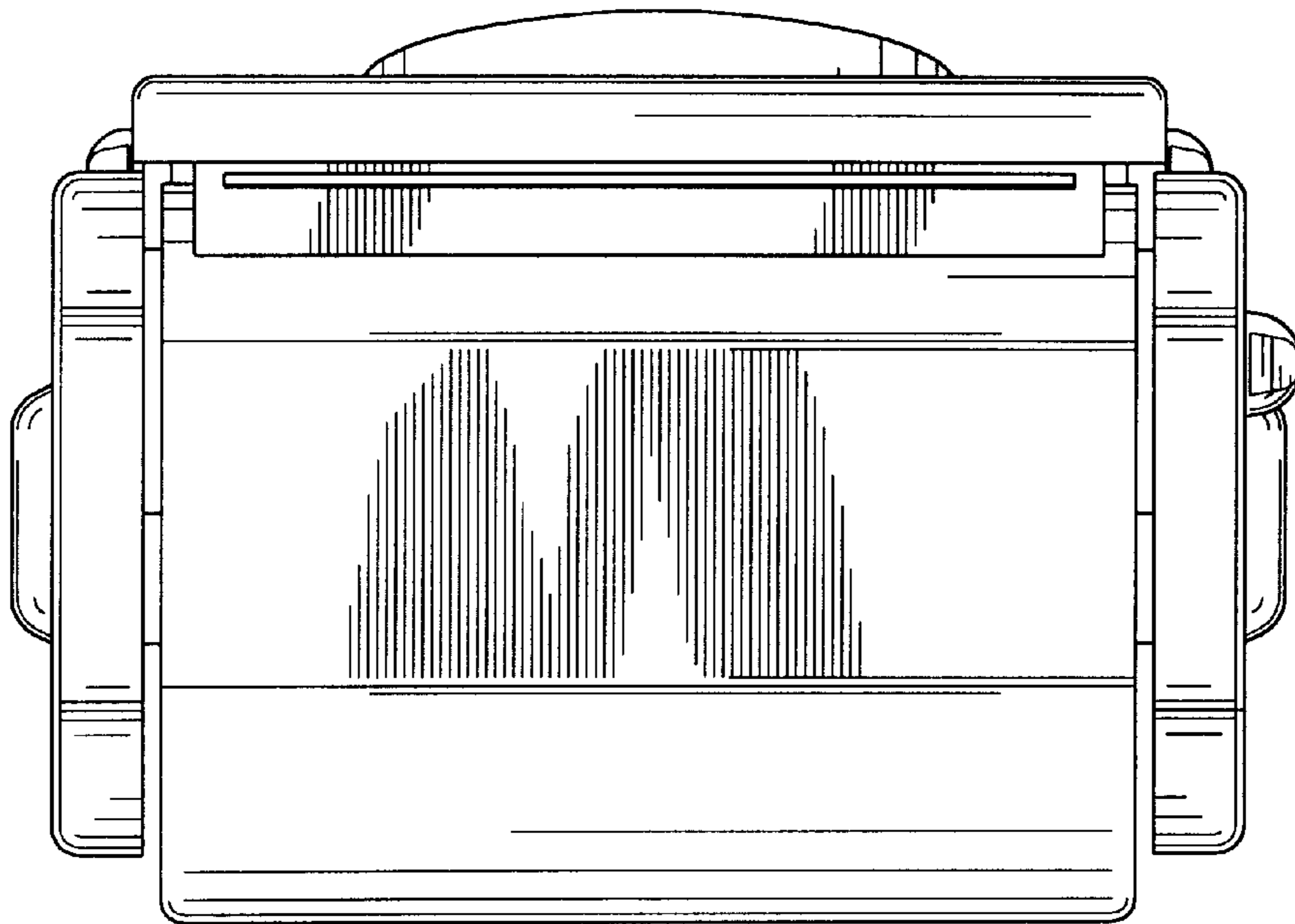


FIG. 7