



US00D433866S

# United States Patent [19]

Cautereels et al.

[11] Patent Number: **Des. 433,866**

[45] Date of Patent: **\*\* Nov. 21, 2000**

[54] **PITCHER WITH SEMI-CIRCULAR HANDLE**

[75] Inventors: **Victor J. J. Cautereels, Ranst; David Dooremont, Halle, both of Belgium**

[73] Assignee: **Dart Industries Inc., Orlando, Fla.**

[\*\*] Term: **14 Years**

[21] Appl. No.: **29/106,655**

[22] Filed: **Jun. 18, 1999**

[51] **LOC (7) Cl. .... 07-01**

[52] **U.S. Cl. .... D7/319; D7/318; D7/316**

[58] **Field of Search .... D7/321, 312, 300, D7/322, 589, 590, 598, 601, 602, 617, 536, 319, 318, 316; 222/158, 364, 168; D10/46.2**

- D. 321,301 11/1991 Purkapile ..... D7/317 X
- D. 343,546 1/1994 Zimmerman ..... D7/319
- D. 354,879 1/1995 Ullmann ..... D7/317
- D. 379,732 6/1997 Jeppesen et al. .... D7/319
- D. 379,740 6/1997 Miller ..... D7/536
- D. 389,369 1/1998 Hippen ..... D7/319
- D. 390,416 2/1998 Hippen et al. .... D7/318 X
- D. 394,982 6/1998 Huang ..... D7/319
- D. 403,202 12/1998 Cousins ..... D7/378
- D. 409,446 5/1999 St. John et al. .... D7/536

*Primary Examiner*—M. N. Pandozzi  
*Attorney, Agent, or Firm*—Taylor J. Ross

## [57] CLAIM

The ornamental design for a pitcher with semi-circular handle, as shown and described.

## DESCRIPTION

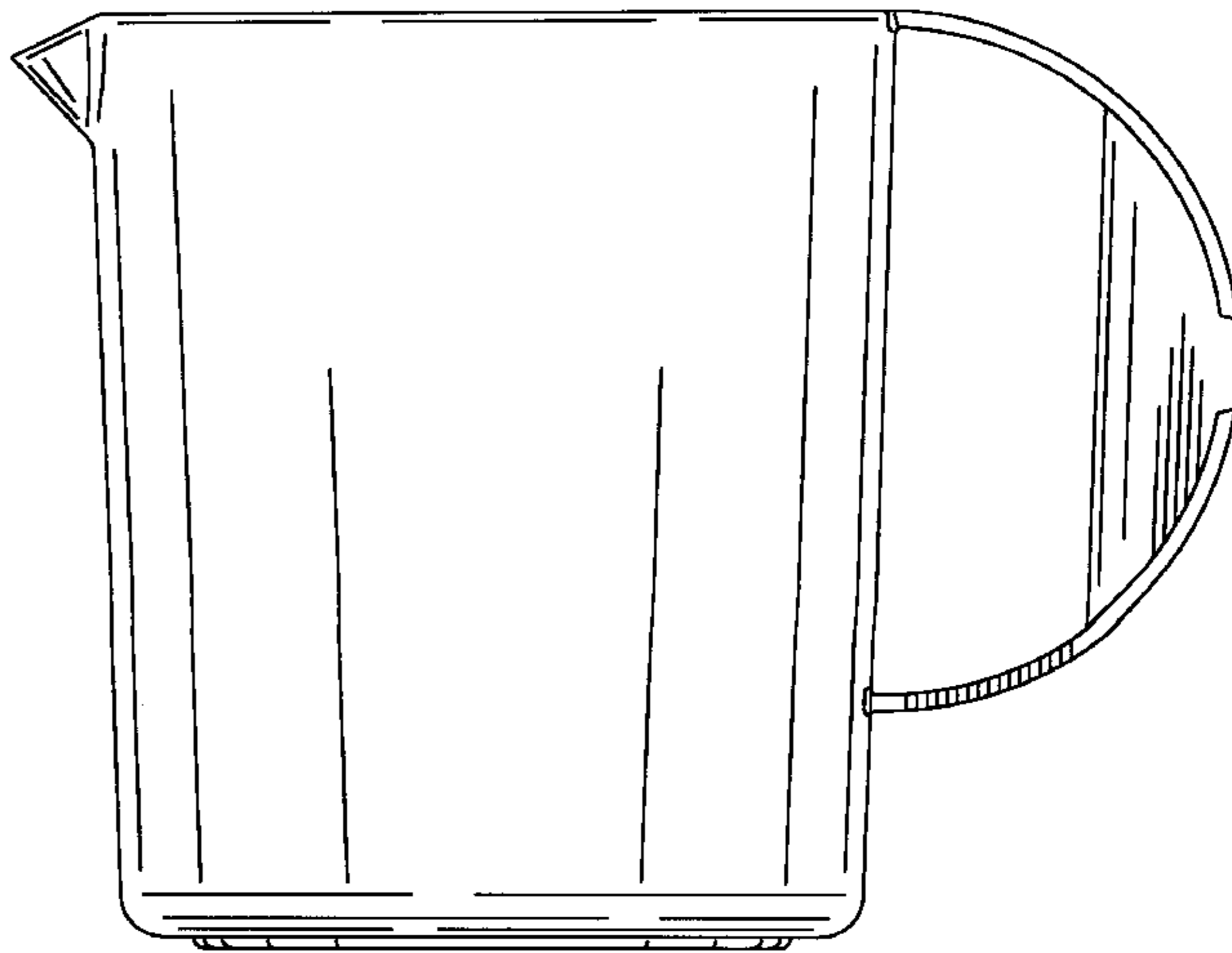
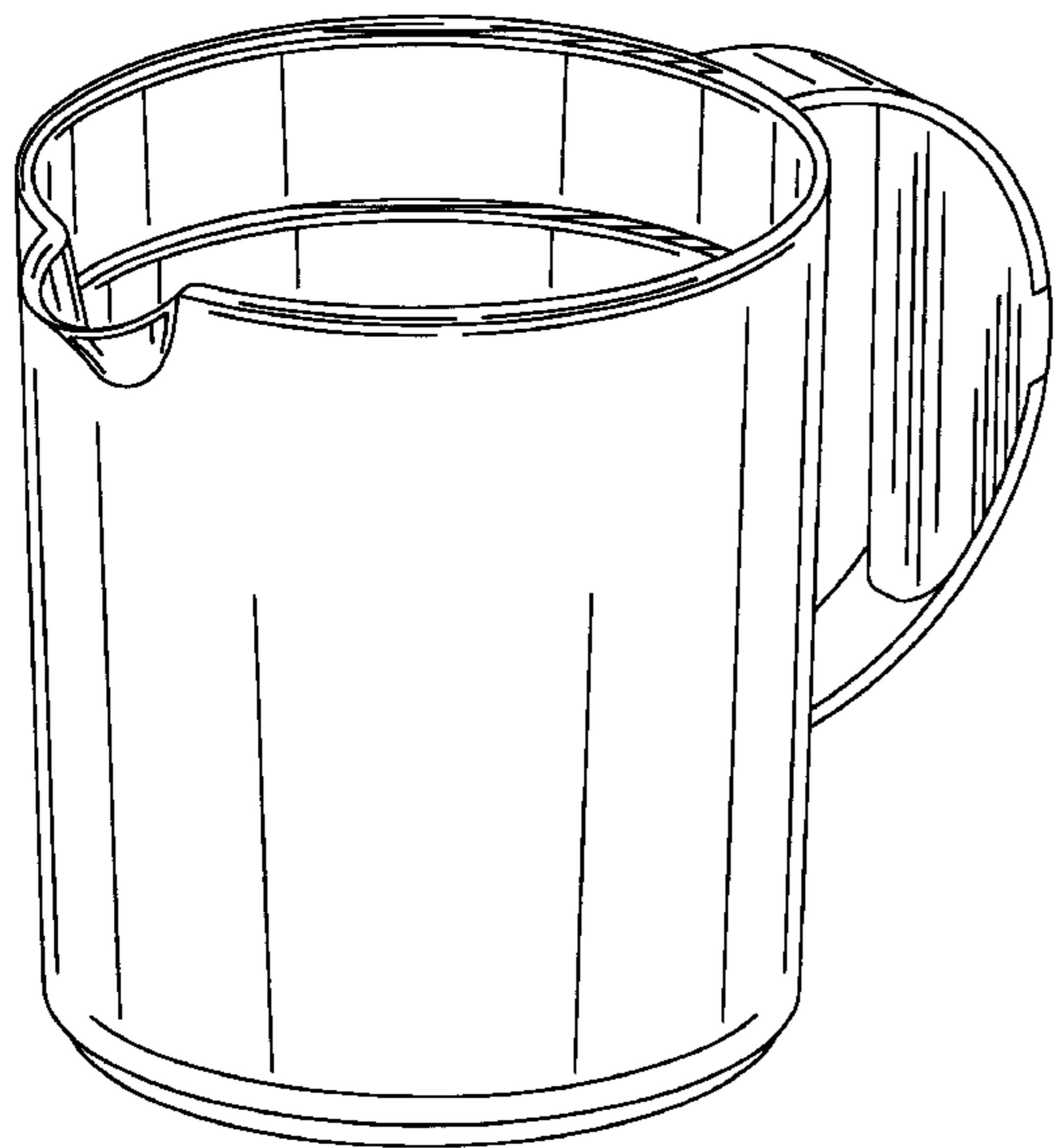
FIG. 1 is a top, side and front perspective view of a pitcher with semi-circular handle showing our new design; FIG. 2 is a left side elevation view thereof; FIG. 3 is a right side elevation view thereof; FIG. 4 is a rear elevation view thereof; FIG. 5 is a front elevation view thereof; FIG. 6 is a top plan view thereof; and, FIG. 7 is a bottom plan view thereof.

**1 Claim, 3 Drawing Sheets**

## [56] References Cited

### U.S. PATENT DOCUMENTS

- D. 255,531 6/1980 Daenen et al. .... D7/319
- D. 270,602 9/1983 Fritz ..... D7/319
- D. 272,704 2/1984 Smith ..... D10/46.2
- D. 283,002 3/1986 Daenen ..... D7/316
- D. 303,904 10/1989 Wolfenden ..... D7/317
- D. 308,458 6/1990 Stutzer ..... D7/317
- D. 316,206 4/1991 Daenen et al. .... D7/317



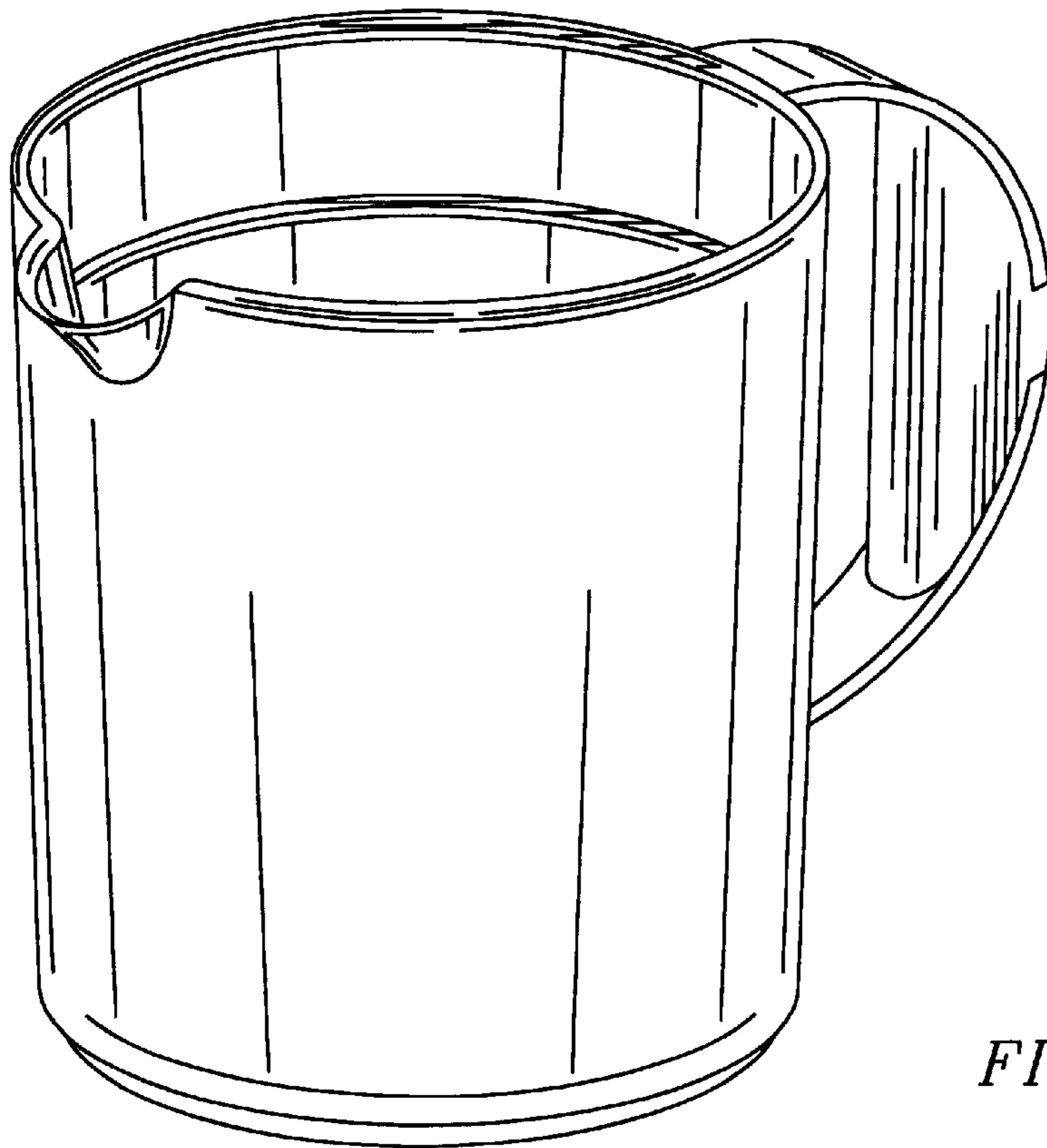


FIG. 1

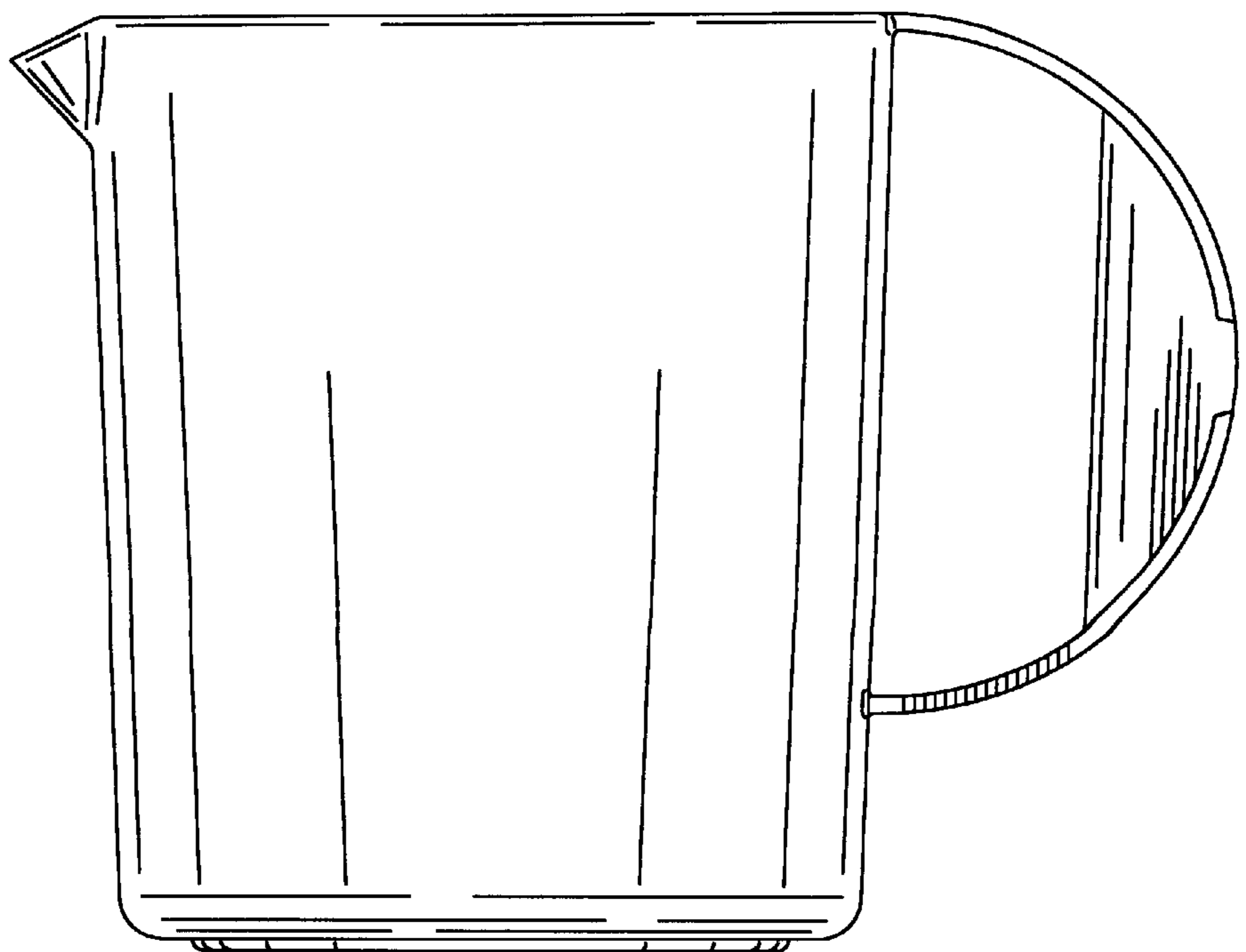


FIG. 2

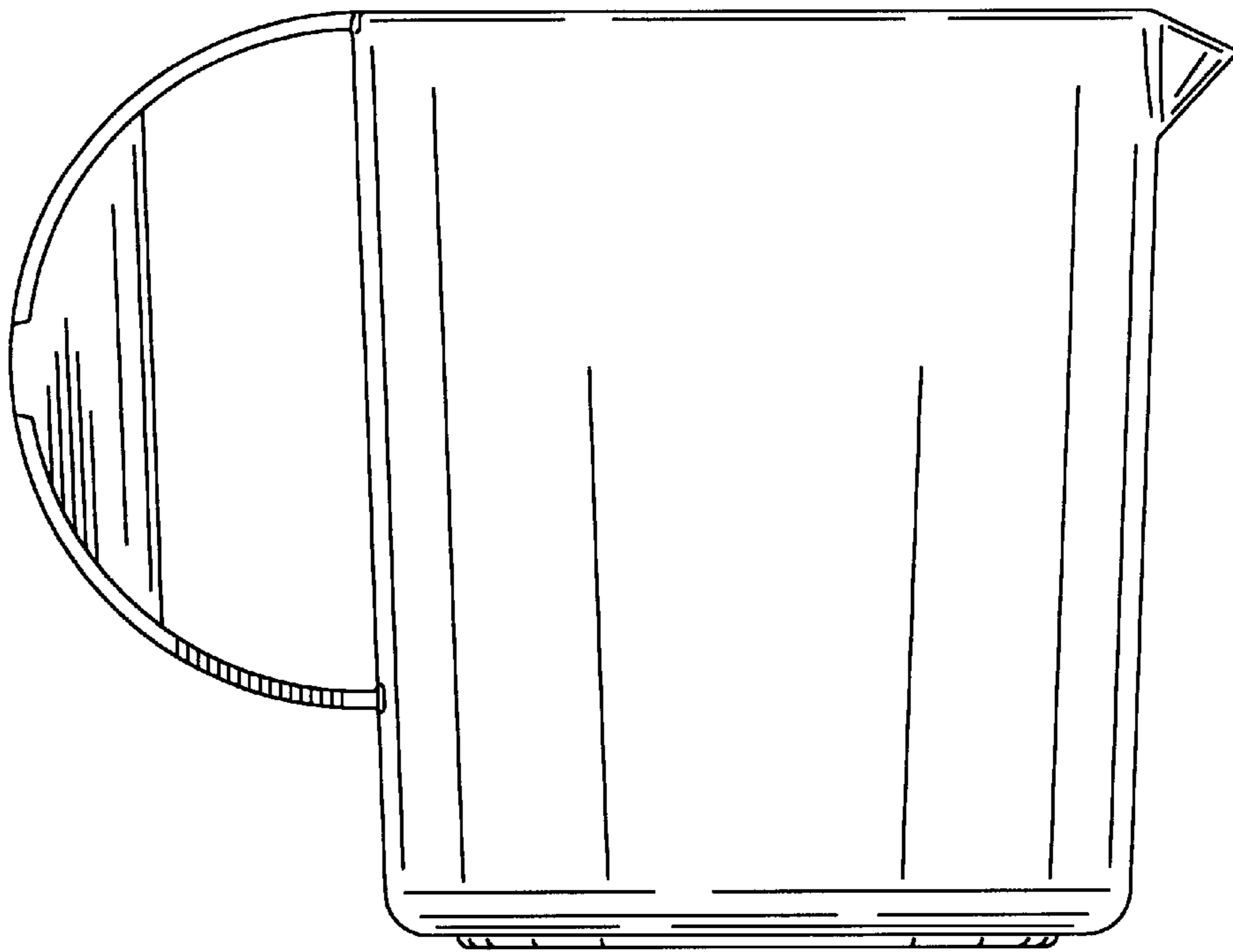


FIG. 3

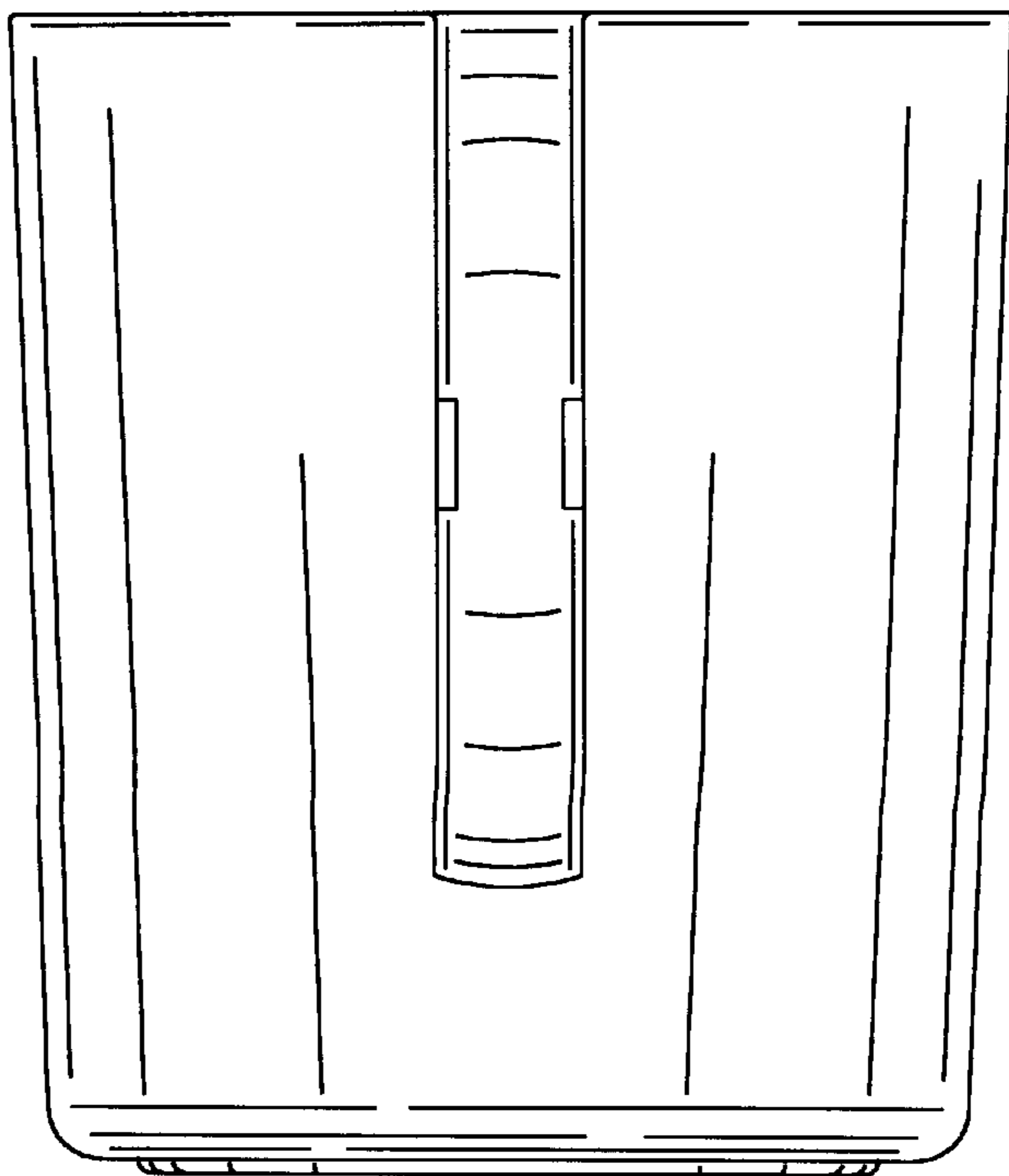


FIG. 4

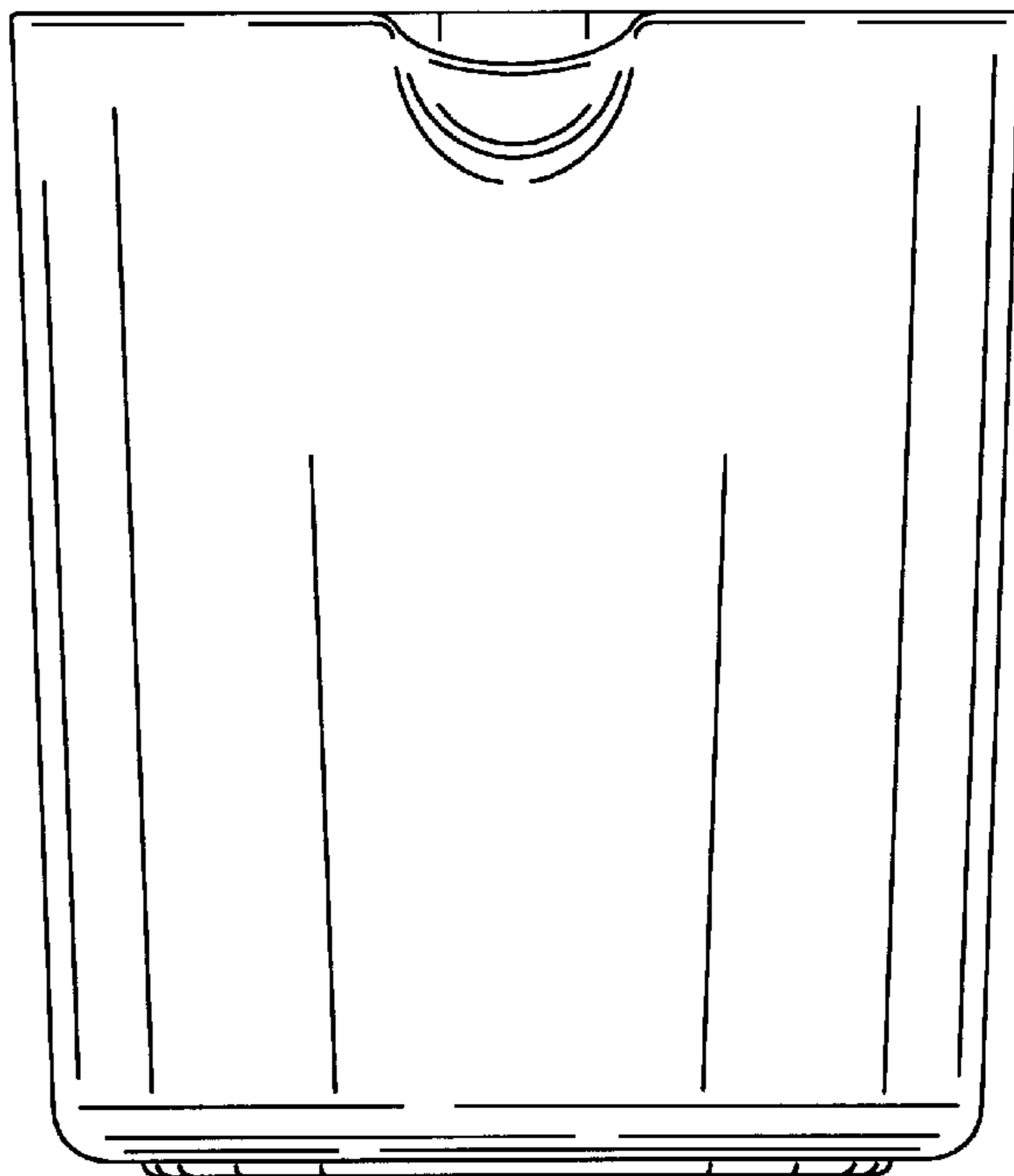


FIG. 5

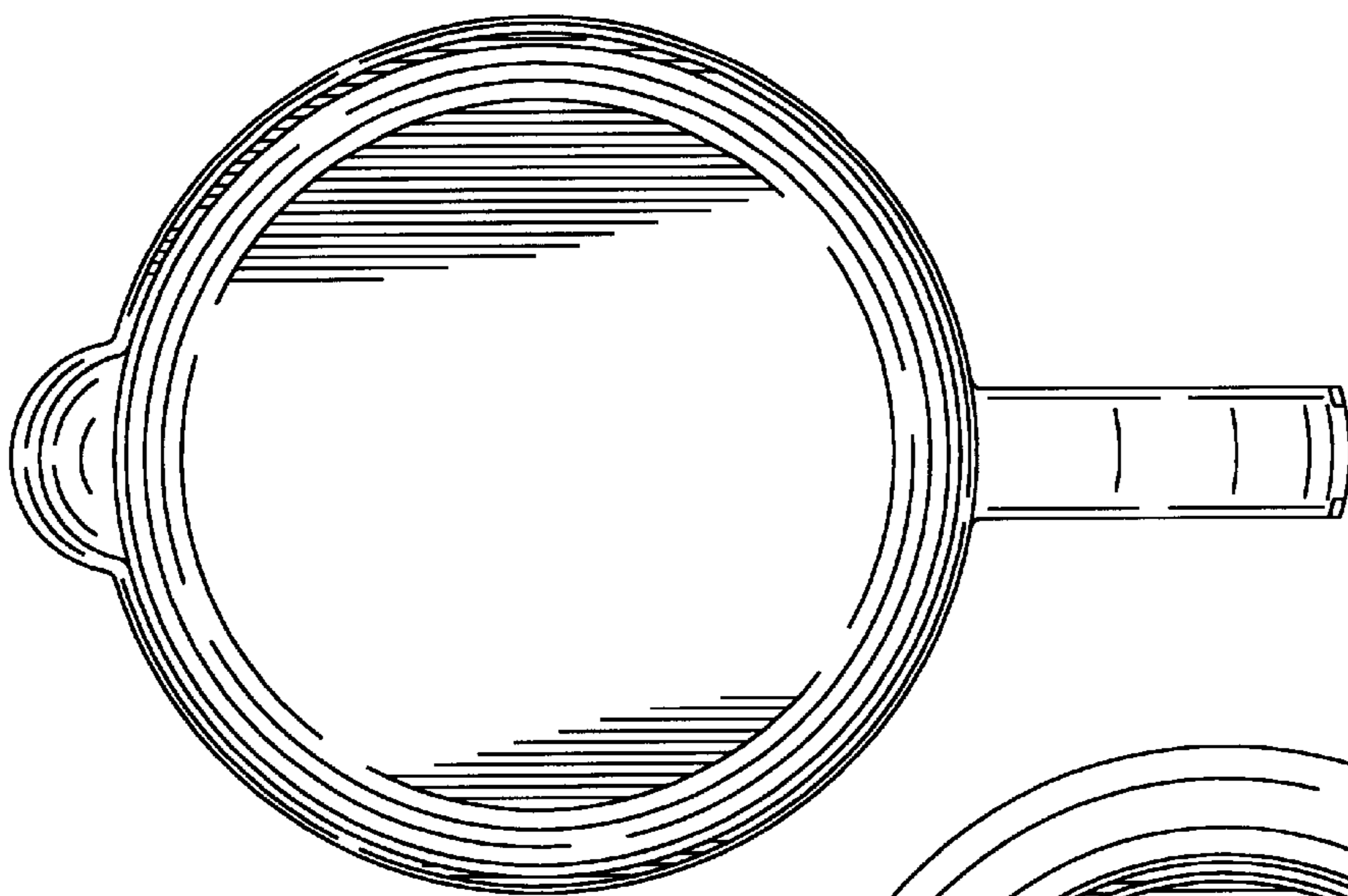


FIG. 6

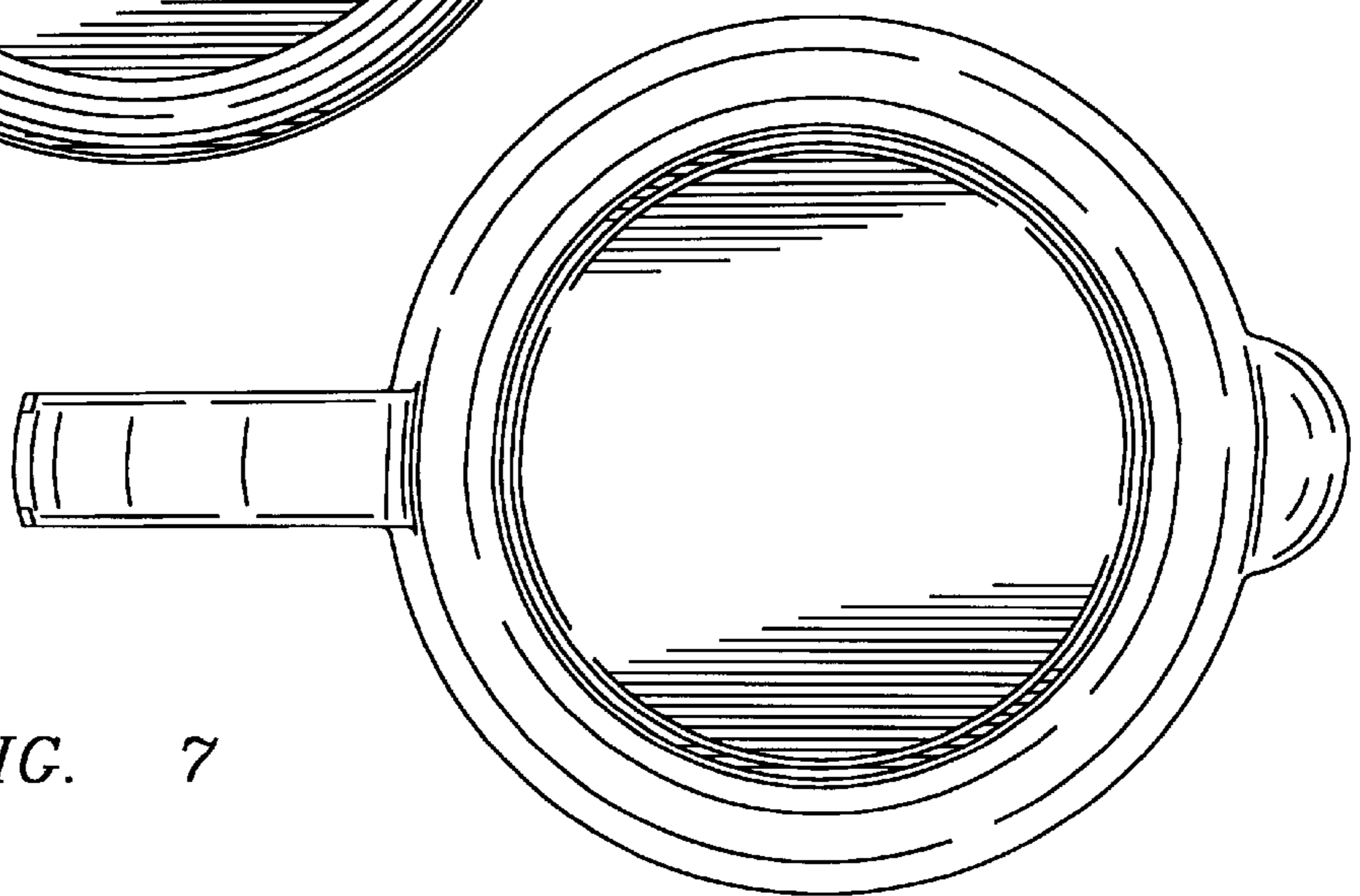


FIG. 7