



US00D433861S

United States Patent [19]

Rose et al.

[11] Patent Number: **Des. 433,861**

[45] Date of Patent: **** Nov. 21, 2000**

[54] **SUPPORT PAD**

[75] Inventors: **Robert Rose; Ted McClure; Steve Hawkins**, all of Richmond, Va.

[73] Assignee: **Carpenter Co.**, Richmond, Va.

[**] Term: **14 Years**

[21] Appl. No.: **29/110,056**

[22] Filed: **Aug. 31, 1999**

[51] **LOC (7) Cl.** **06-09**

[52] **U.S. Cl.** **D6/596; D6/601**

[58] **Field of Search** D6/595-599, 601, D6/604; 5/907, 630, 633, 636, 637, 638, 639, 736, 901, 903, 652, 653, 654, 655.3, 655.9, 656

[56] **References Cited**

U.S. PATENT DOCUMENTS

D. 301,166	5/1989	Miklja .	
D. 307,690	5/1990	Raburn .	
D. 311,108	10/1990	Farley .	
D. 322,907	1/1992	Raburn .	
D. 336,400	6/1993	Mitchell et al. .	
D. 339,018	9/1993	Main .	
D. 357,740	4/1995	Kennemore .	
D. 374,367	10/1996	Bonaddio et al.	D6/596
D. 381,543	7/1997	Farley .	
D. 396,771	8/1998	Iannuzzi .	
D. 403,193	12/1998	Felter, Jr. et al. .	
D. 421,358	3/2000	Henson	D6/596
3,135,974	6/1964	Roman .	
3,197,357	7/1965	Schulpen .	
3,681,797	8/1972	Messner .	
4,178,161	12/1979	Rudner et al. .	
4,206,524	6/1980	Cook .	
4,207,635	6/1980	Leroy .	
4,383,342	5/1983	Forster .	
4,665,573	5/1987	Fiore .	
4,688,283	8/1987	Jacobson et al. .	
4,700,447	10/1987	Spann .	

4,901,387	2/1990	Luke .	
4,955,096	9/1990	Gilroy et al.	5/730
4,972,535	11/1990	Goldman .	
5,007,124	4/1991	Raburn et al. .	
5,038,433	8/1991	Farley .	
5,077,849	1/1992	Farley .	
5,088,136	2/1992	Stryker et al.	5/81.1 R
5,111,542	5/1992	Farley .	
5,224,226	7/1993	Groenewald .	
5,252,278	10/1993	Spann et al. .	
5,509,153	4/1996	Roschacher .	
5,742,963	4/1998	Trevino et al. .	

OTHER PUBLICATIONS

“Three Levels of Comfort in One Mattress Pad”, e.g. Lateral Support—Maximum Support—Gentle Support, EGG-CRATE® Brand Products, Bio Clinic Corp. ©1991, Clinic/Sunrise Medical, Brochure.

Primary Examiner—Janice E. Seeger
Attorney, Agent, or Firm—Smith, Gambrell & Russell, LLP

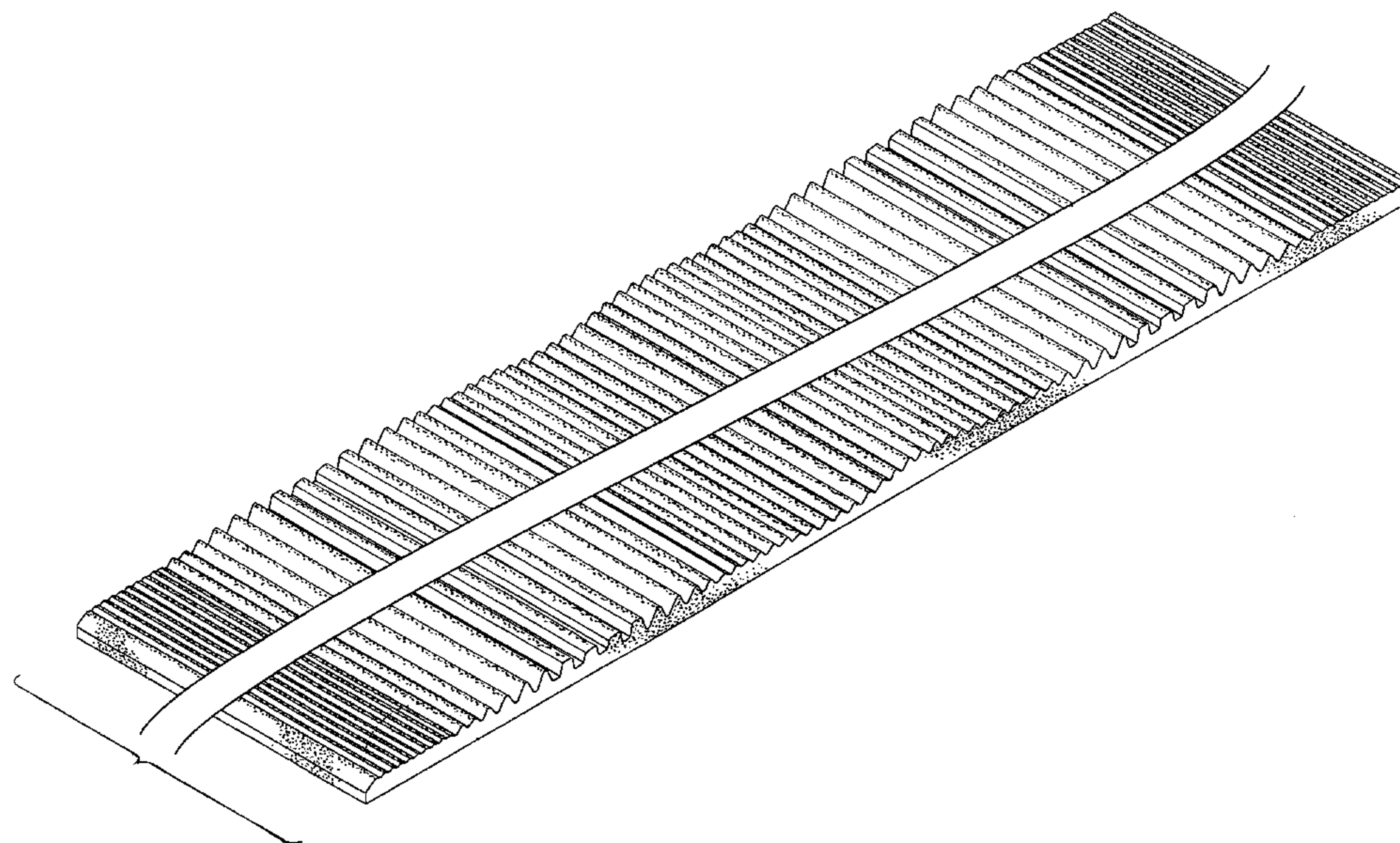
[57] **CLAIM**

The ornamental design for a support pad, as shown and described.

DESCRIPTION

FIG. 1 is a perspective view of a support pad, showing our new design broken away to indicate indeterminate width; FIG. 2 shows a top planar view thereof without a break-away to show a representative example; FIG. 3 is a right side elevational view (the left side being the same); FIG. 4 is a bottom plan view; FIG. 5 is an end elevational view of the closer end of FIG. 1; FIG. 6 is an end elevational view of the other end in FIG. 1; and, FIG. 7 is an enlarged view of the ghost line circle region shown in FIG. 1.

1 Claim, 6 Drawing Sheets



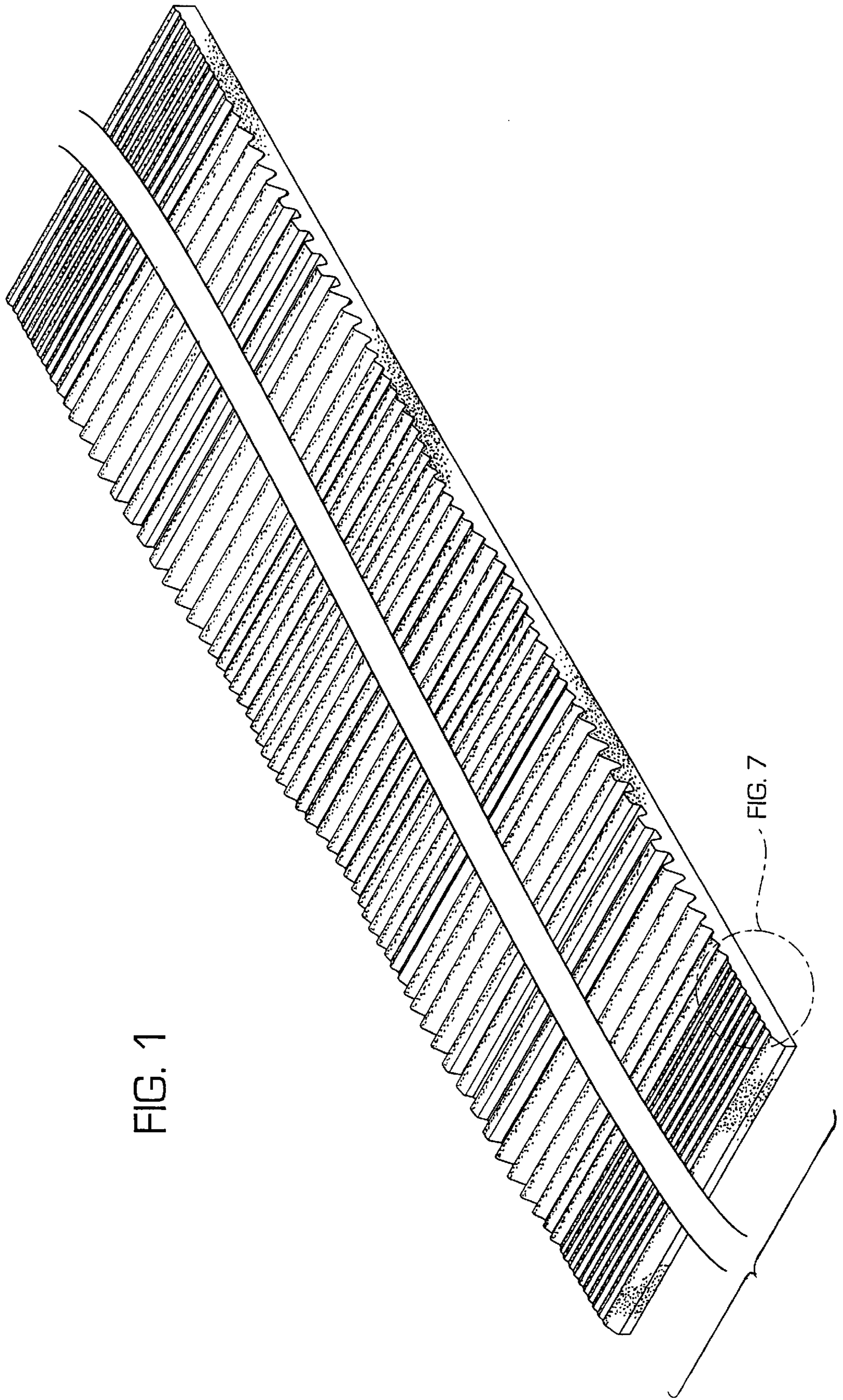


FIG. 1

FIG. 7

FIG. 2

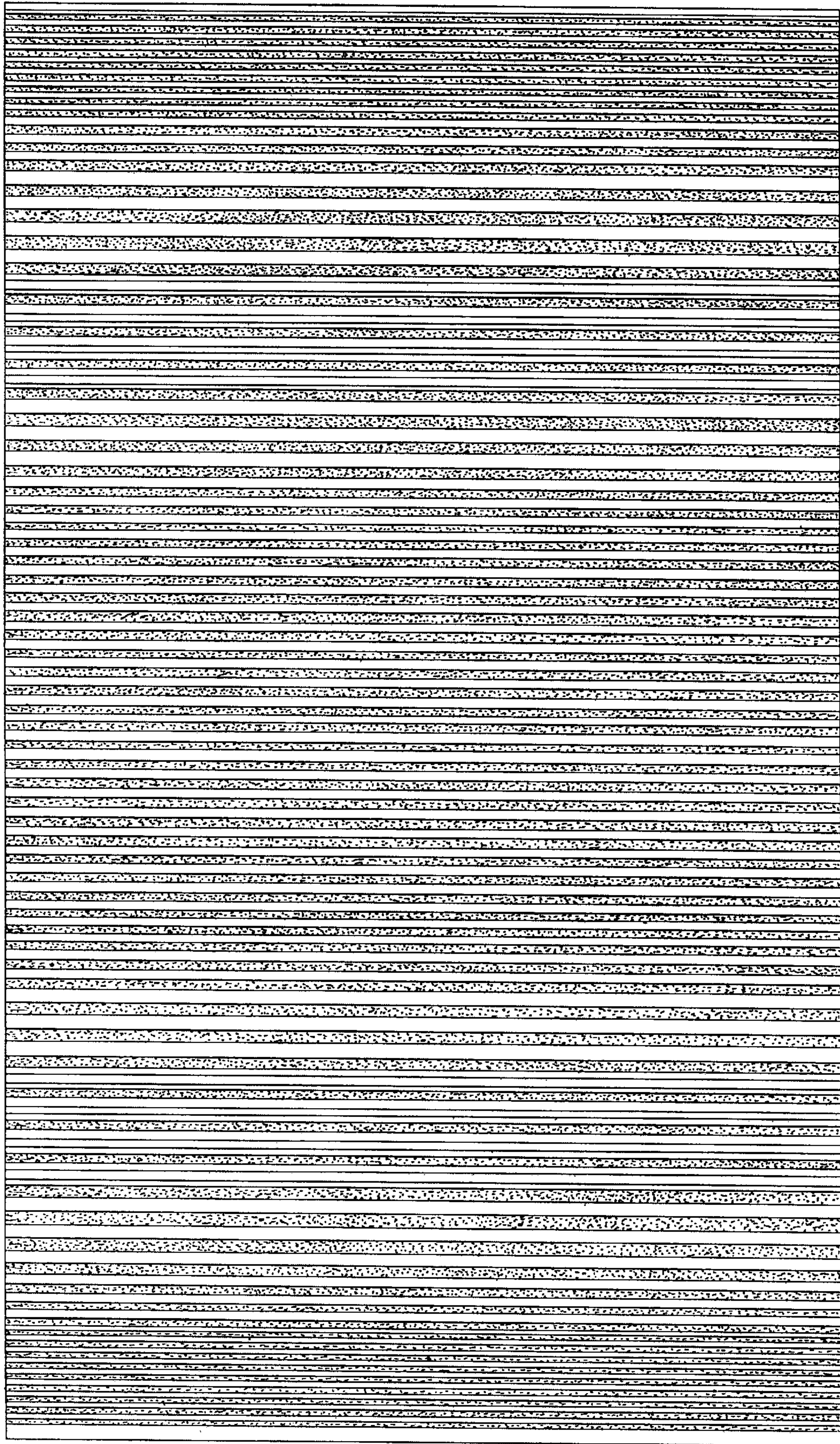


FIG. 3



FIG. 4

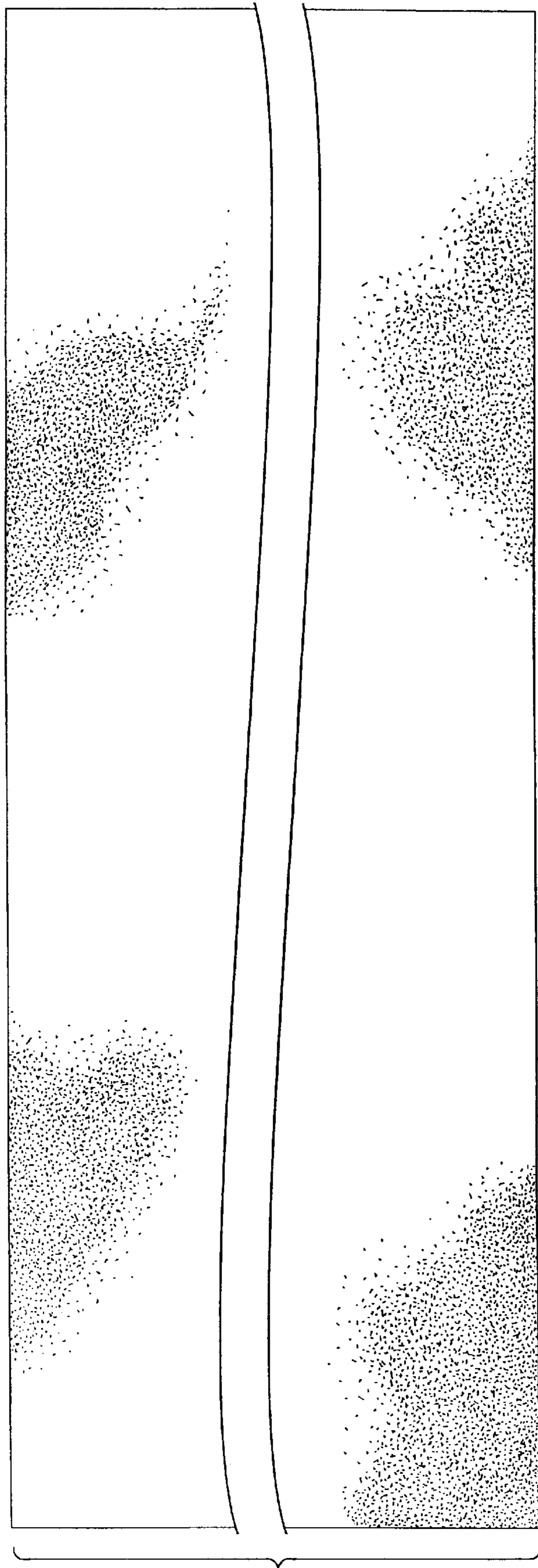


FIG. 5

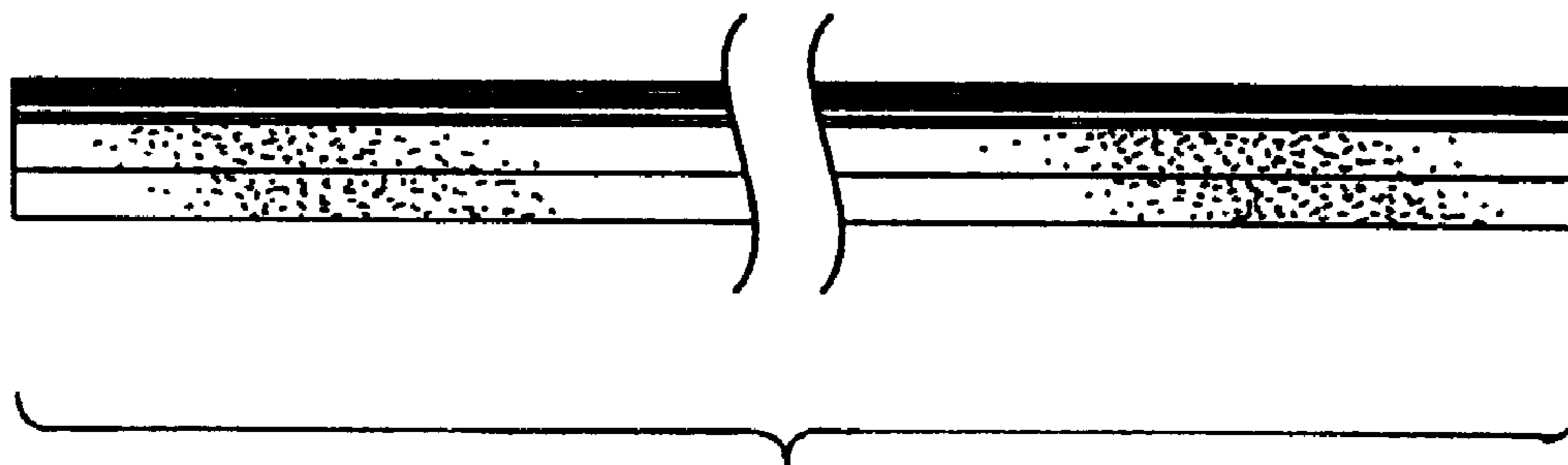


FIG. 6

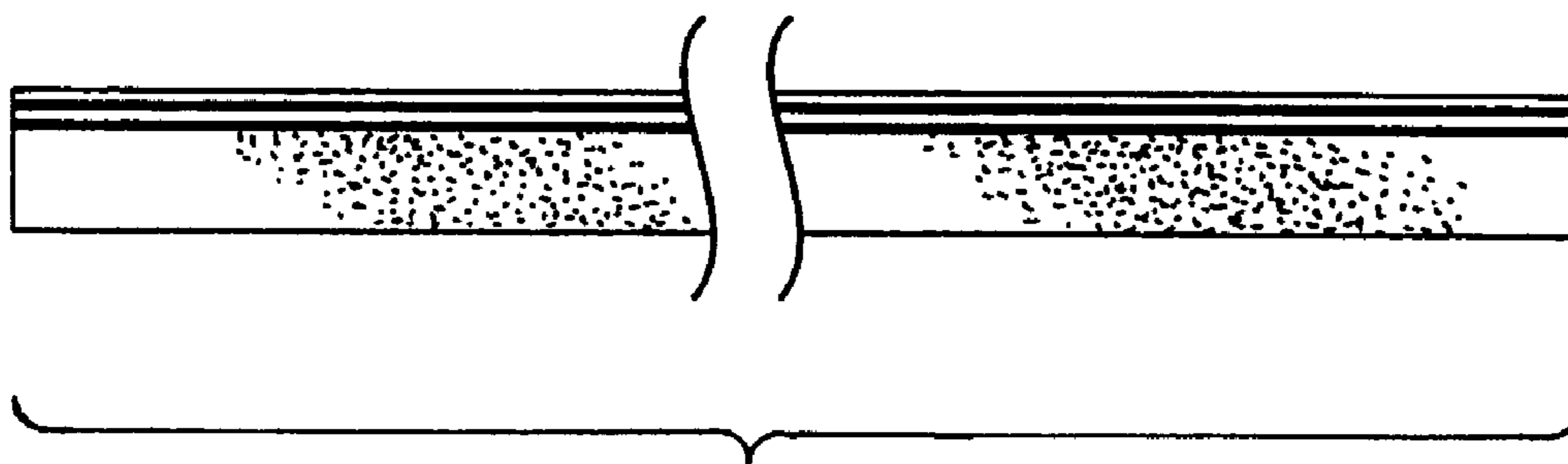


FIG. 7

