



US00D433858S

United States Patent [19]

Gastelum et al.

[11] Patent Number: **Des. 433,858**

[45] Date of Patent: **** Nov. 21, 2000**

[54] SOAP DISH

D. 346,928 5/1994 Shames et al. D6/540

[75] Inventors: **Joseé Gastelum, Veran; Leszek Solowiej**, Montville, both of N.J.

Primary Examiner—Brian N. Vinson
Attorney, Agent, or Firm—Edgar A. Zarins; Lloyd D. Doigan

[73] Assignee: **Melard Manufacturing Corp.**, Passaic, N.J.

[**] Term: **14 Years**

[57] CLAIM

The ornamental design for a soap dish, as shown and described.

[21] Appl. No.: **29/118,490**

[22] Filed: **Feb. 9, 2000**

DESCRIPTION

[51] **LOC (7) Cl.** **23-02**

[52] **U.S. Cl.** **D6/540**

[58] **Field of Search** D6/524, 536, 540,
D6/529, 532; 211/13.1, 82, 88, 126, 134,
181.1; 248/309.1; 206/77.1

FIG. 1 is a perspective view of a soap dish showing our design;

FIG. 2 is a top plan thereof;

FIG. 3 is a front elevation view thereof;

FIG. 4 is a left side view thereof, the opposite side being a mirror image of the side shown; and,

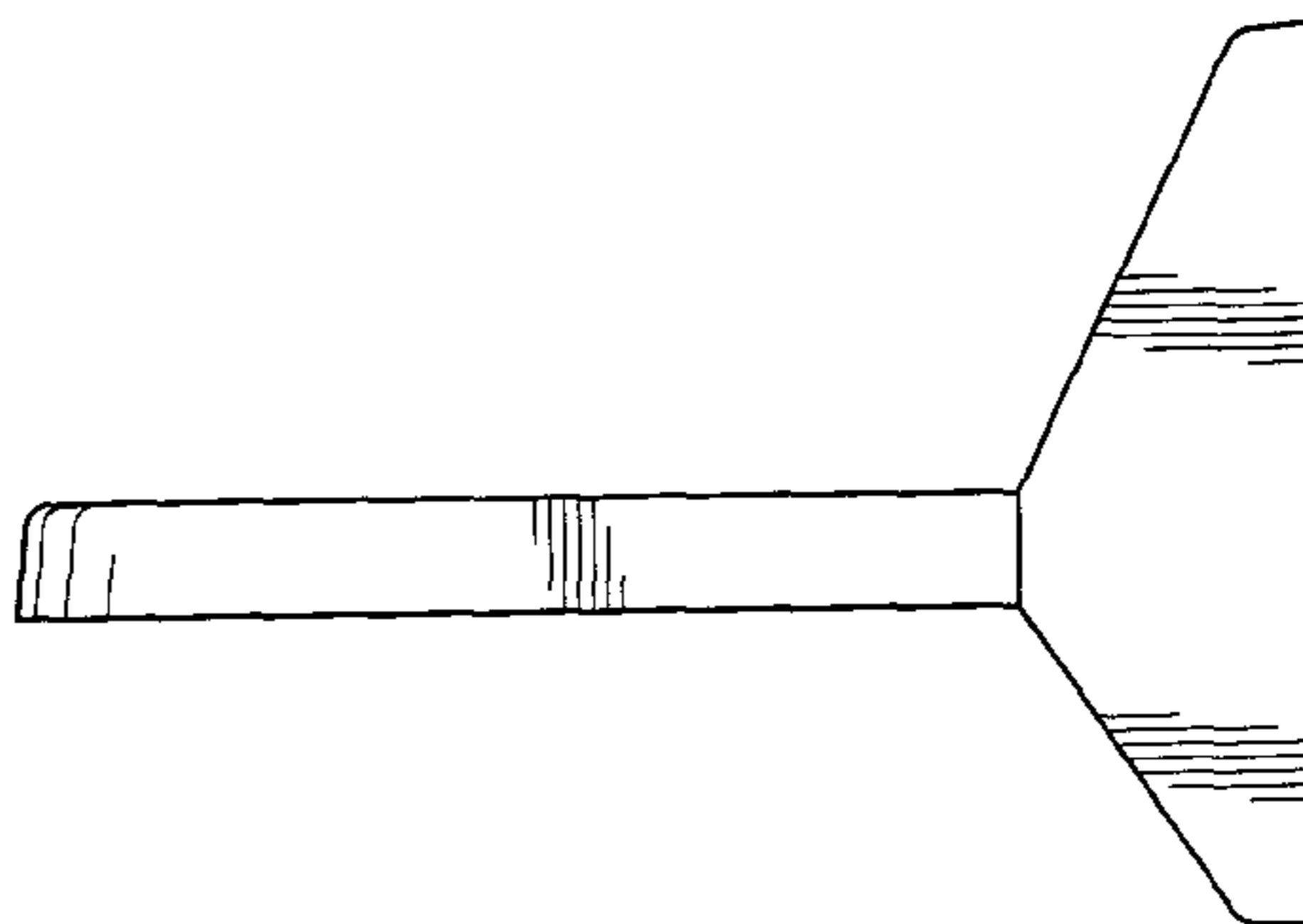
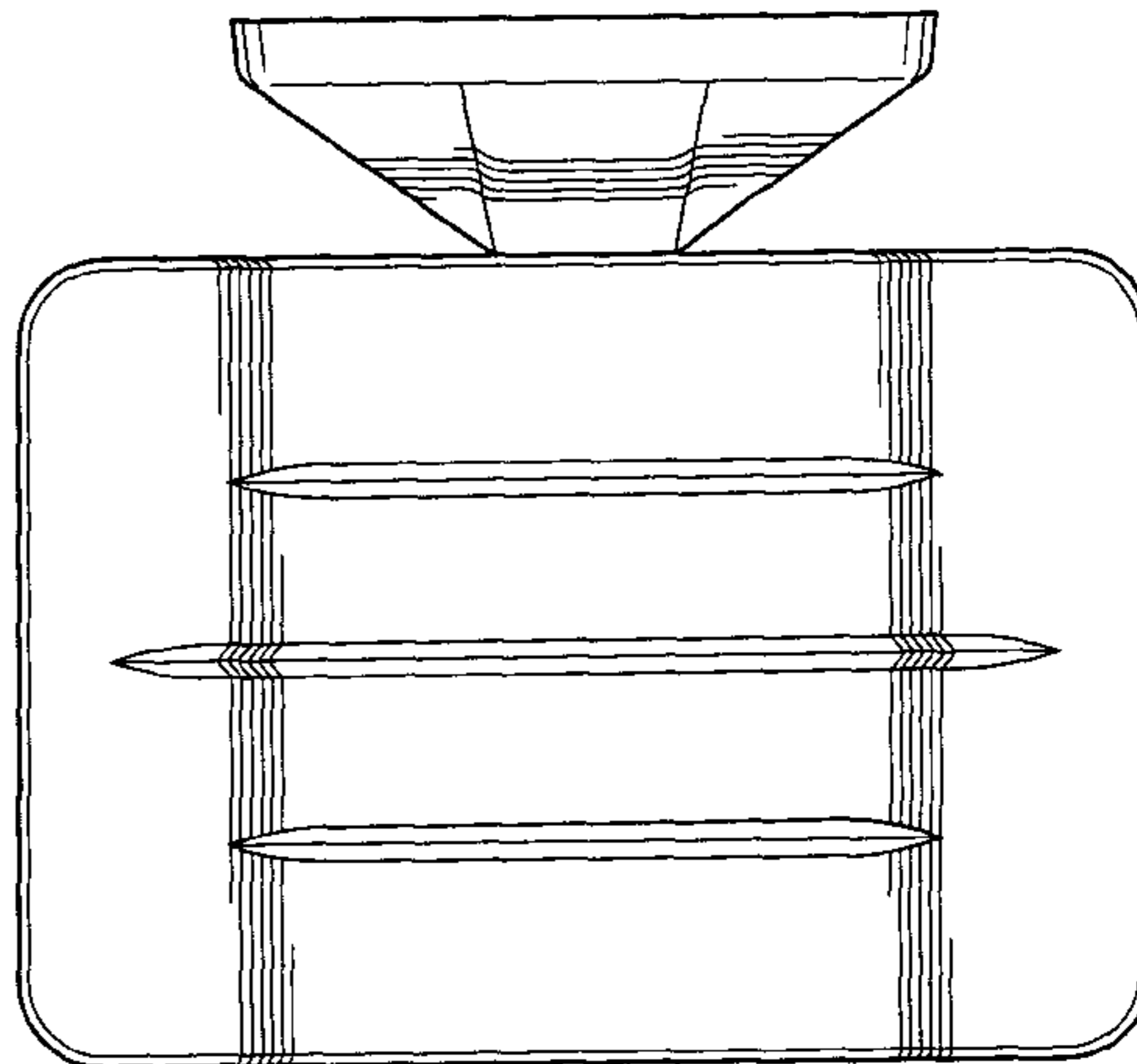
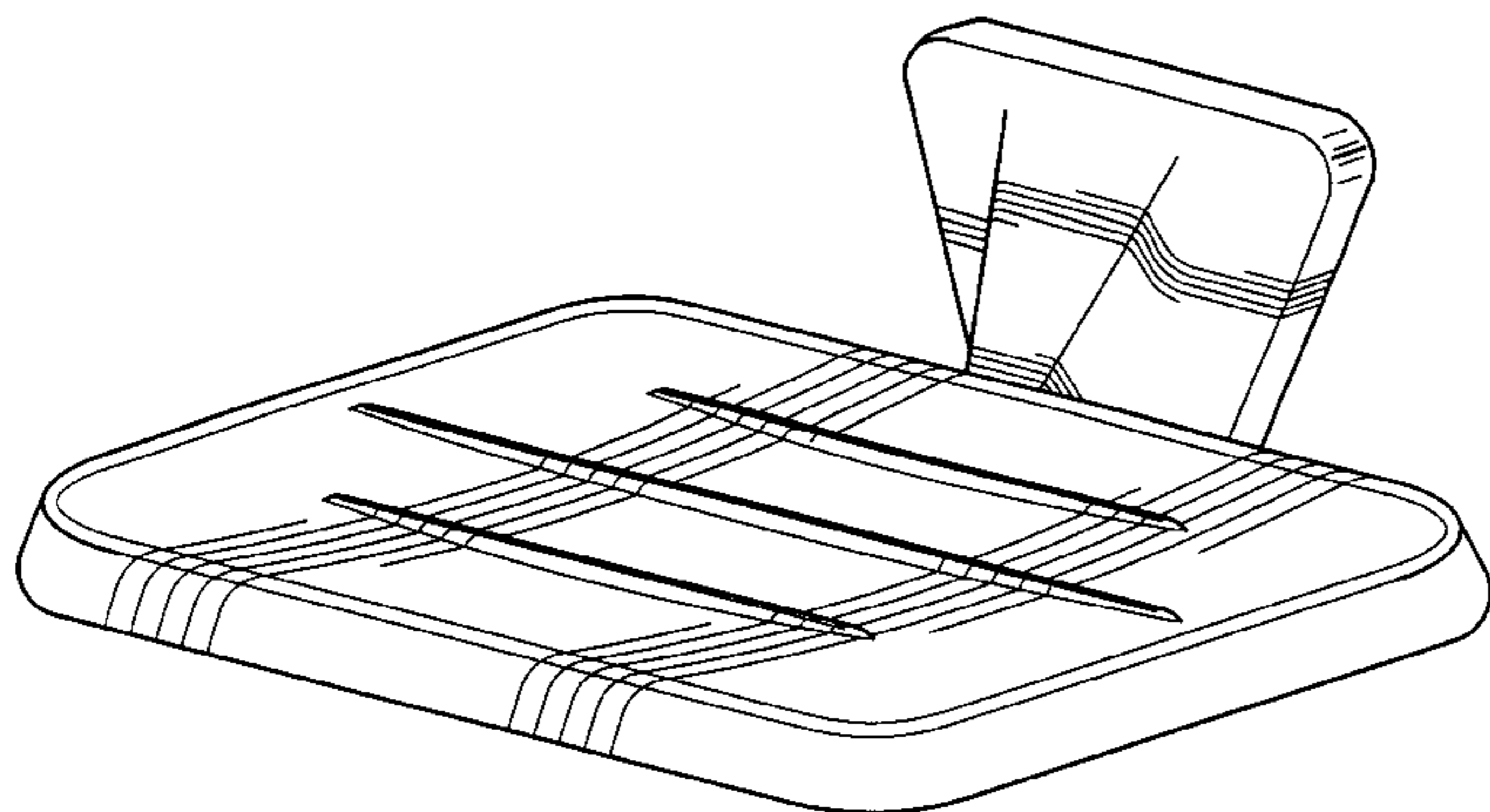
FIG. 5 is a bottom plan view thereof.

[56] References Cited

U.S. PATENT DOCUMENTS

D. 266,807 11/1982 Thompson D6/540

1 Claim, 3 Drawing Sheets



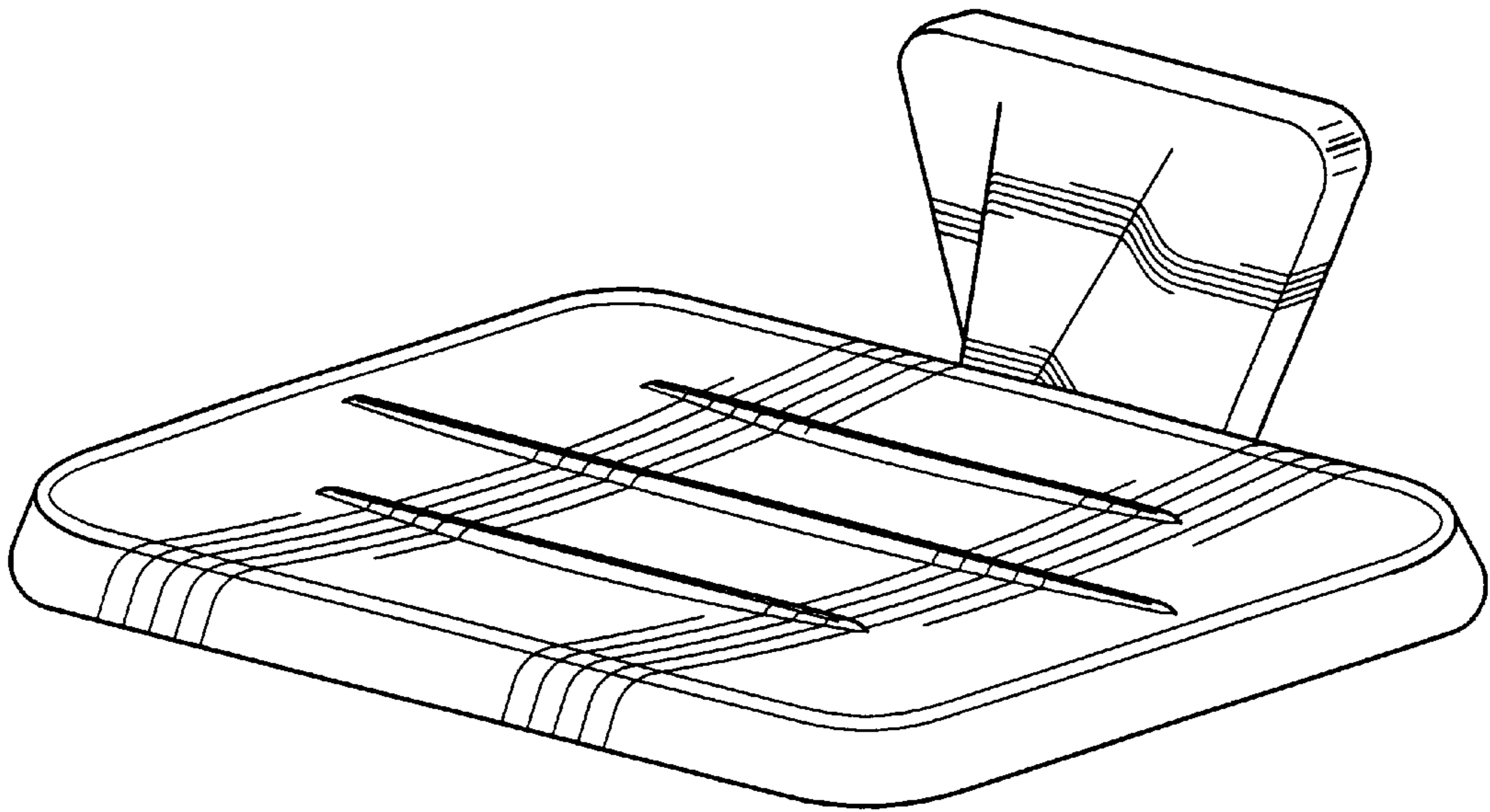


Figure - 1

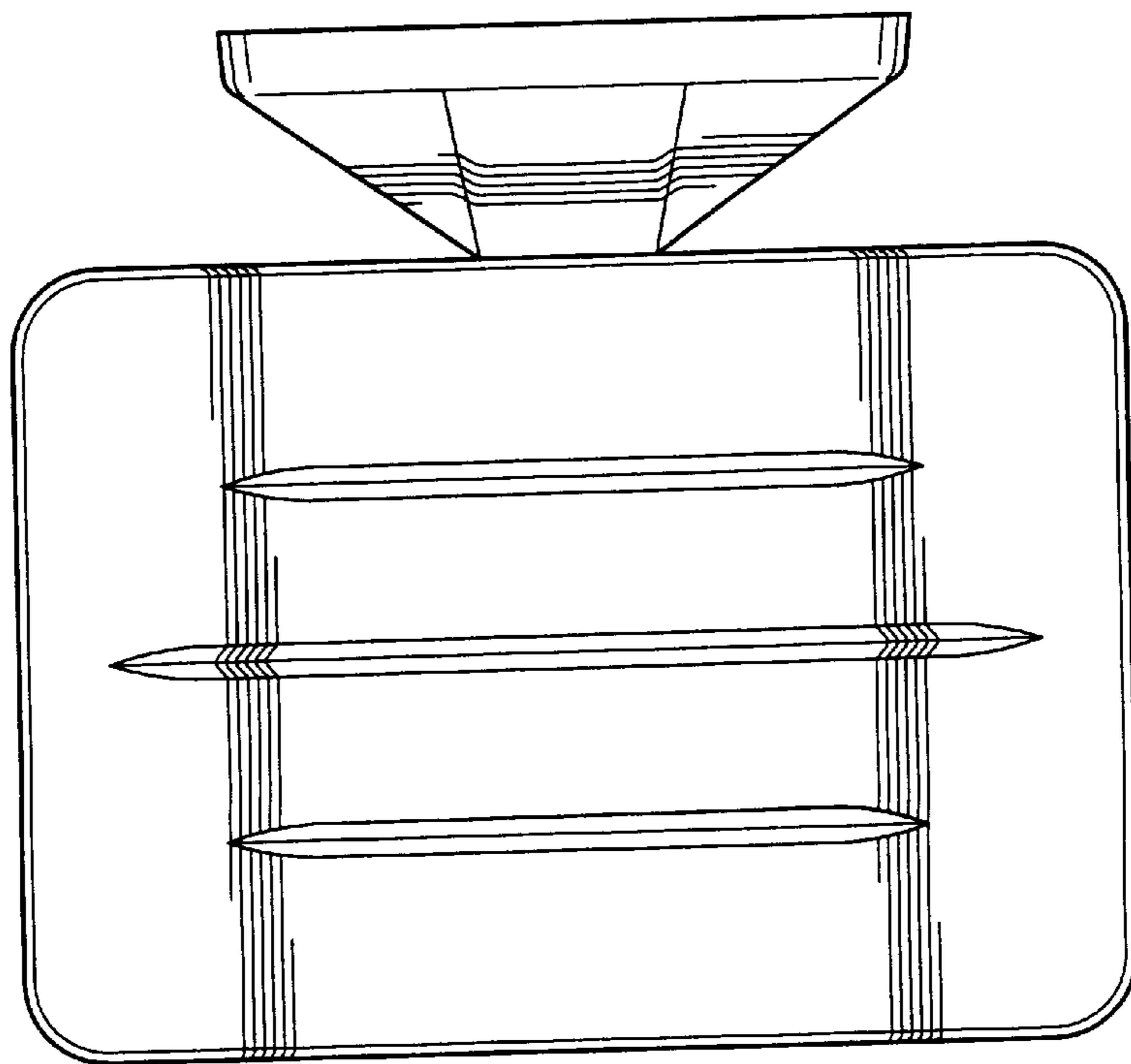


Figure - 2

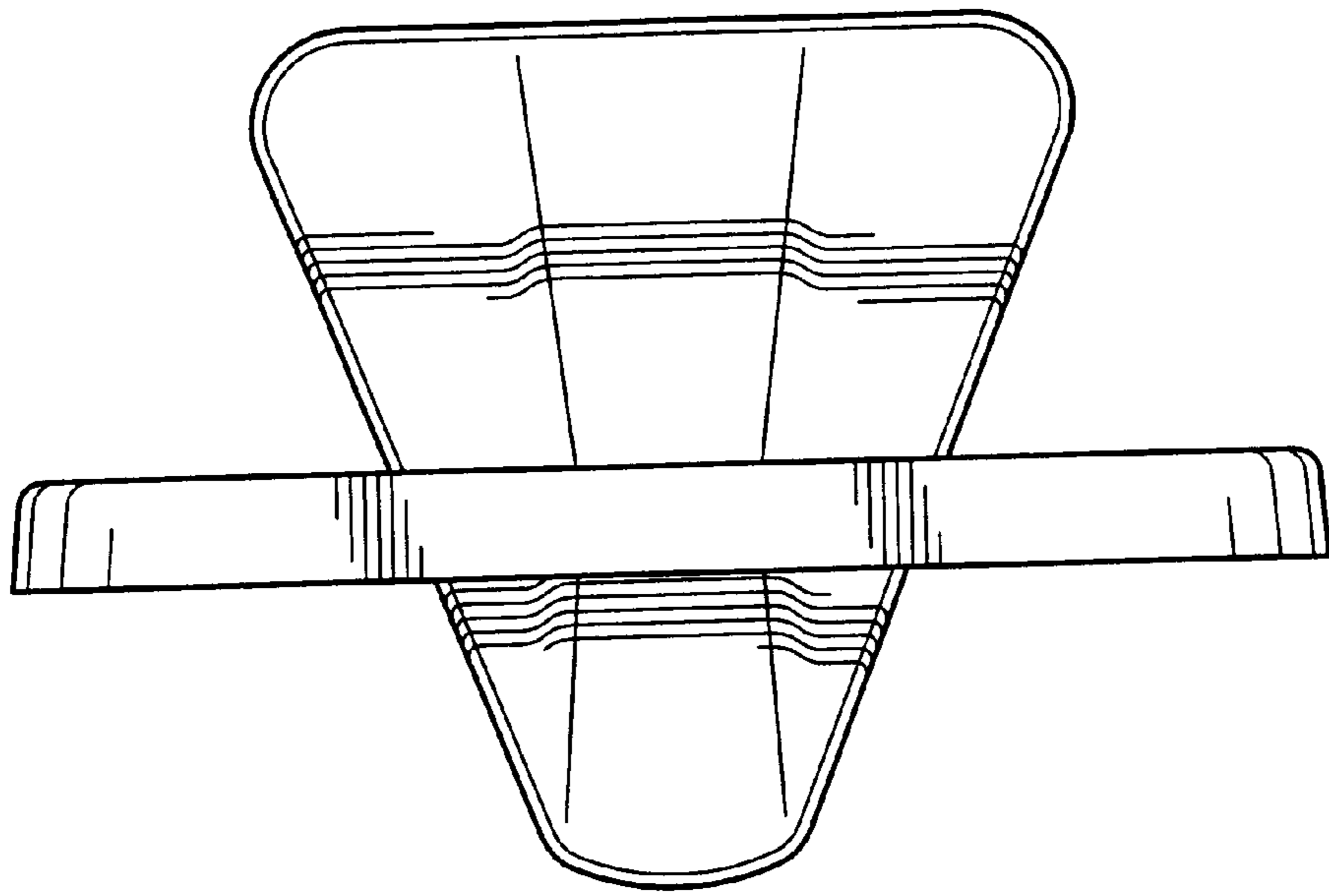


Figure - 3

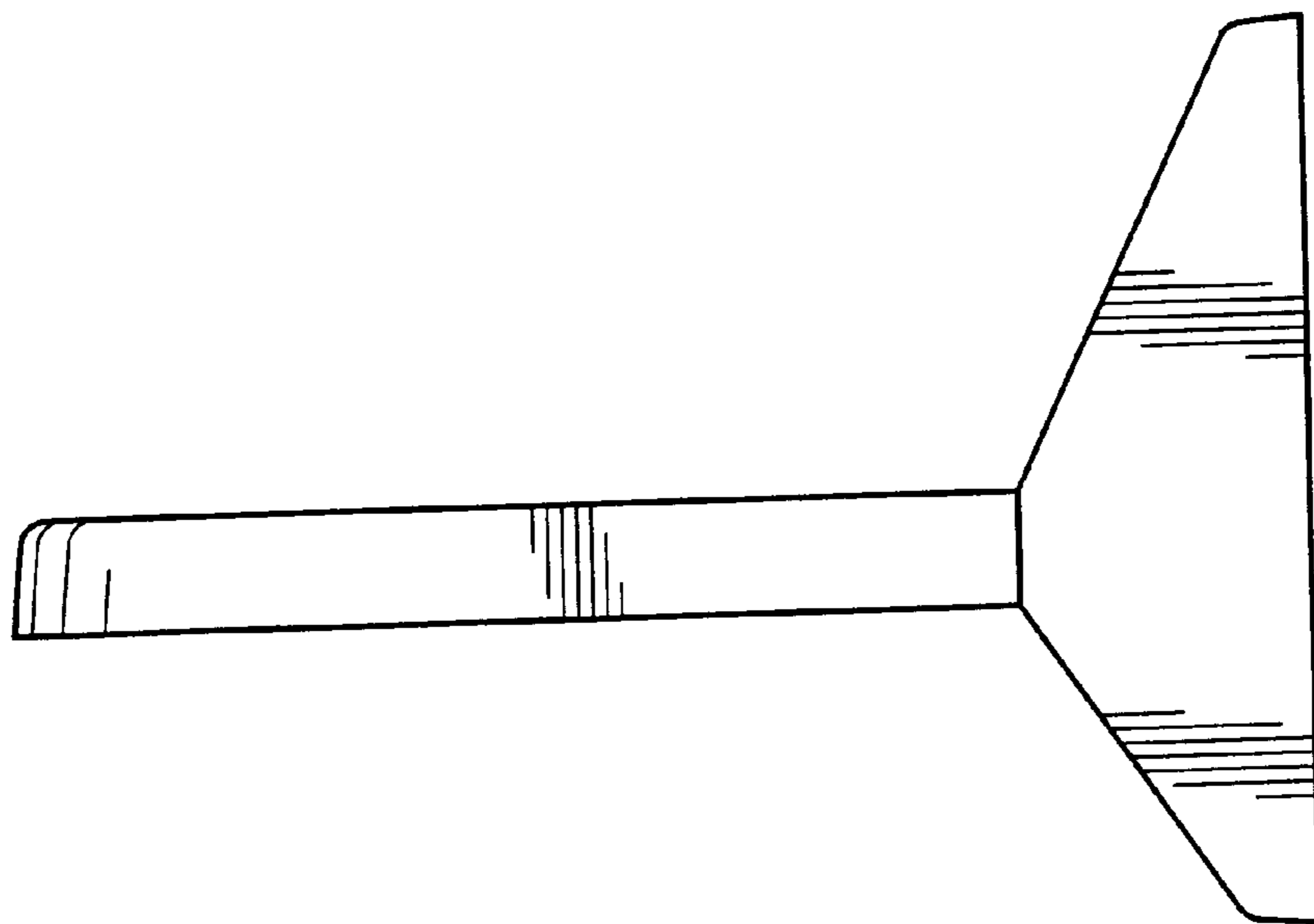


Figure - 4

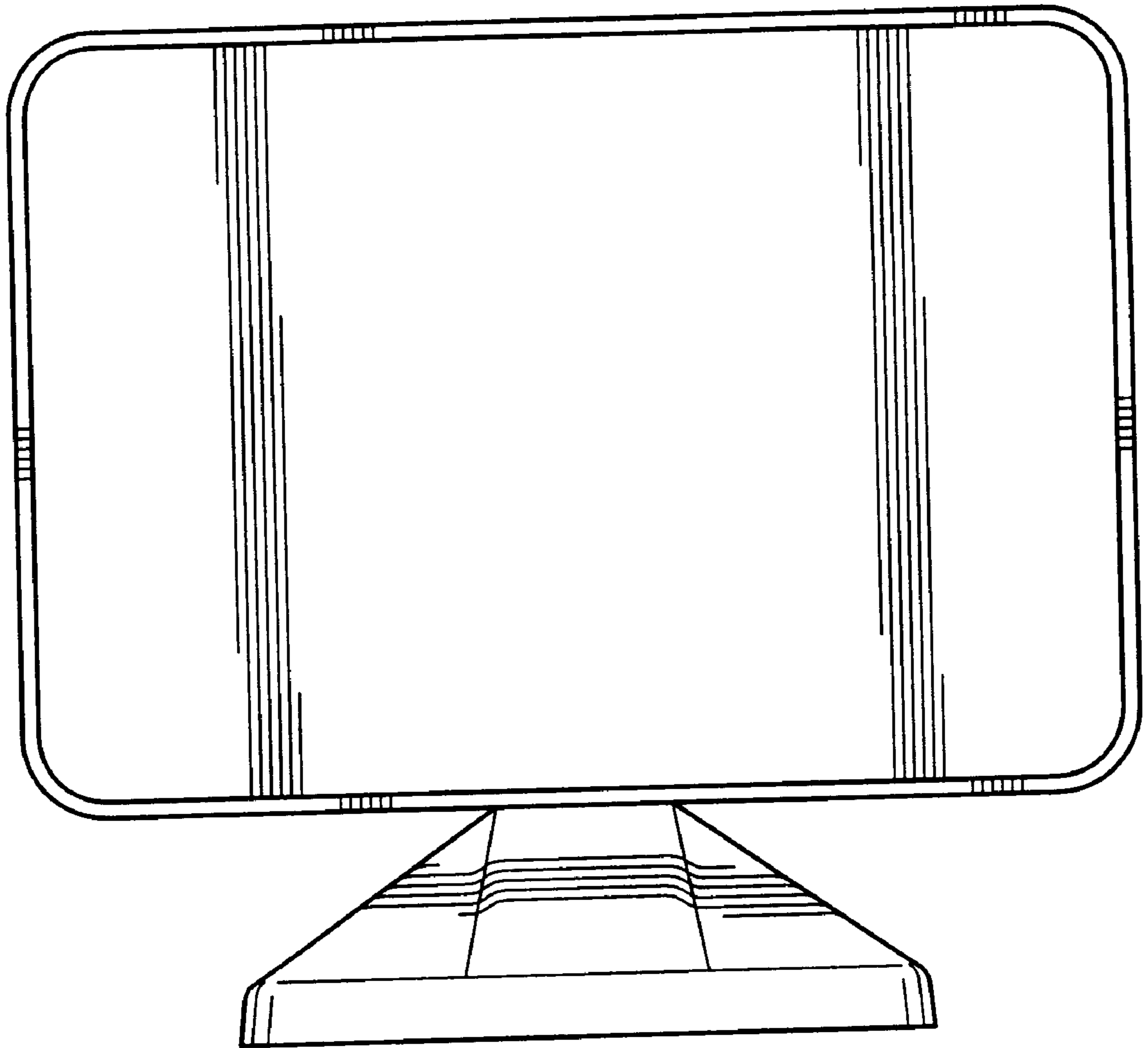


Figure - 5