



US00D433857S

United States Patent [19] Nguyen

[11] **Patent Number: Des. 433,857**

[45] **Date of Patent: ** Nov. 21, 2000**

[54] **PRODUCE BAG DISPENSING RACK**

5,732,833 3/1998 Alvarado et al. 206/554 X

[76] Inventor: **Hank Duc Nguyen**, 4929 Jenette St.,
Metairie, La. 70003

Primary Examiner—Brian N. Vinson
Attorney, Agent, or Firm—Joseph T. Regard, Ltd.

[**] Term: **14 Years**

[57] **CLAIM**

[21] Appl. No.: **29/120,859**

The ornamental design for a produce bag dispensing rack, as shown and described.

[22] Filed: **Mar. 28, 2000**

DESCRIPTION

[51] **LOC (7) Cl.** **20-02**

[52] **U.S. Cl.** **D6/515**

[58] **Field of Search** D6/512, 515, 523,
D6/410, 411, 457, 458; D34/5; 206/225,
315.3, 554; 211/13.1, 12; 221/26, 72, 282,
284

FIG. 1 is an isometric, side view of the produce bag dispensing rack of the present invention;

FIG. 2 is a top view of the produce bag dispensing rack of the present invention;

FIG. 3 is a bottom view of the of the produce bag dispensing rack of the present invention;

FIG. 4 is a frontal view of the of the produce bag dispensing rack of the present invention; and,

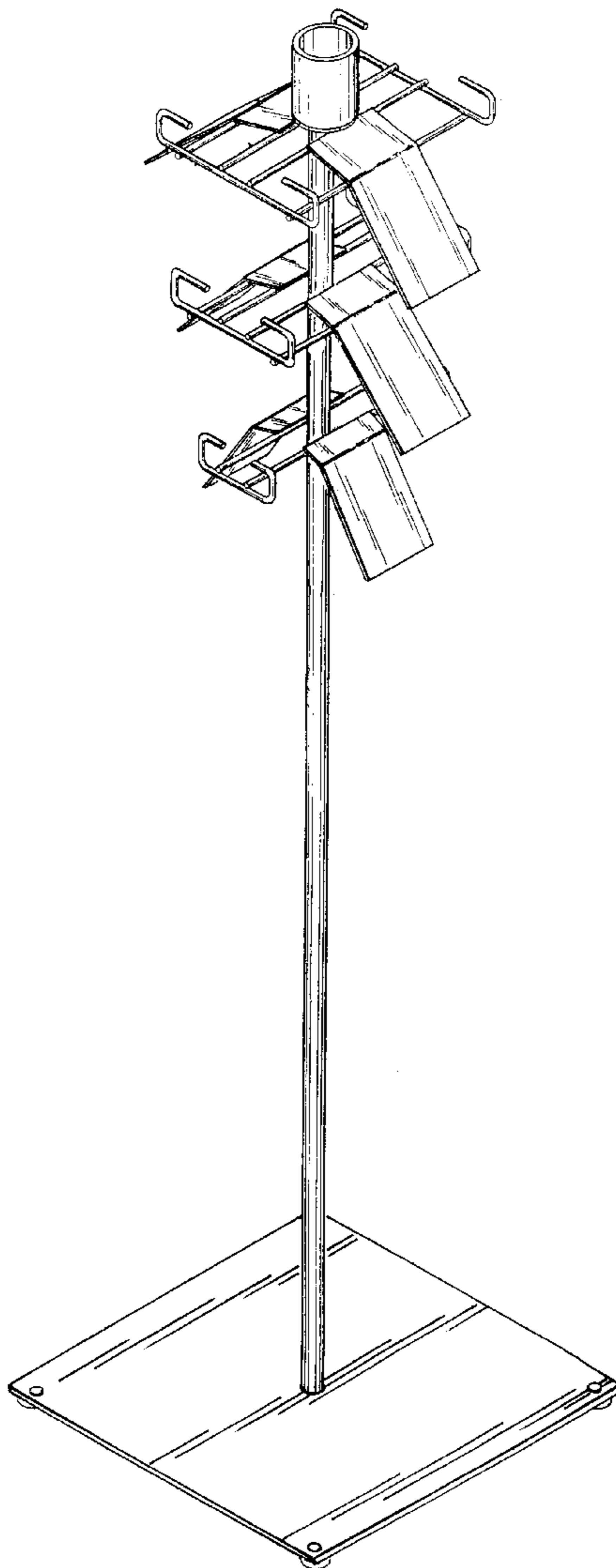
FIG. 5 is a rear view of the produce bag dispensing rack of the present invention.

[56] **References Cited**

U.S. PATENT DOCUMENTS

D. 313,726	1/1991	Jacques	D6/523
D. 345,241	3/1994	Bunn	D34/5
D. 428,544	7/2000	Moffitt et al.	D34/5

1 Claim, 2 Drawing Sheets



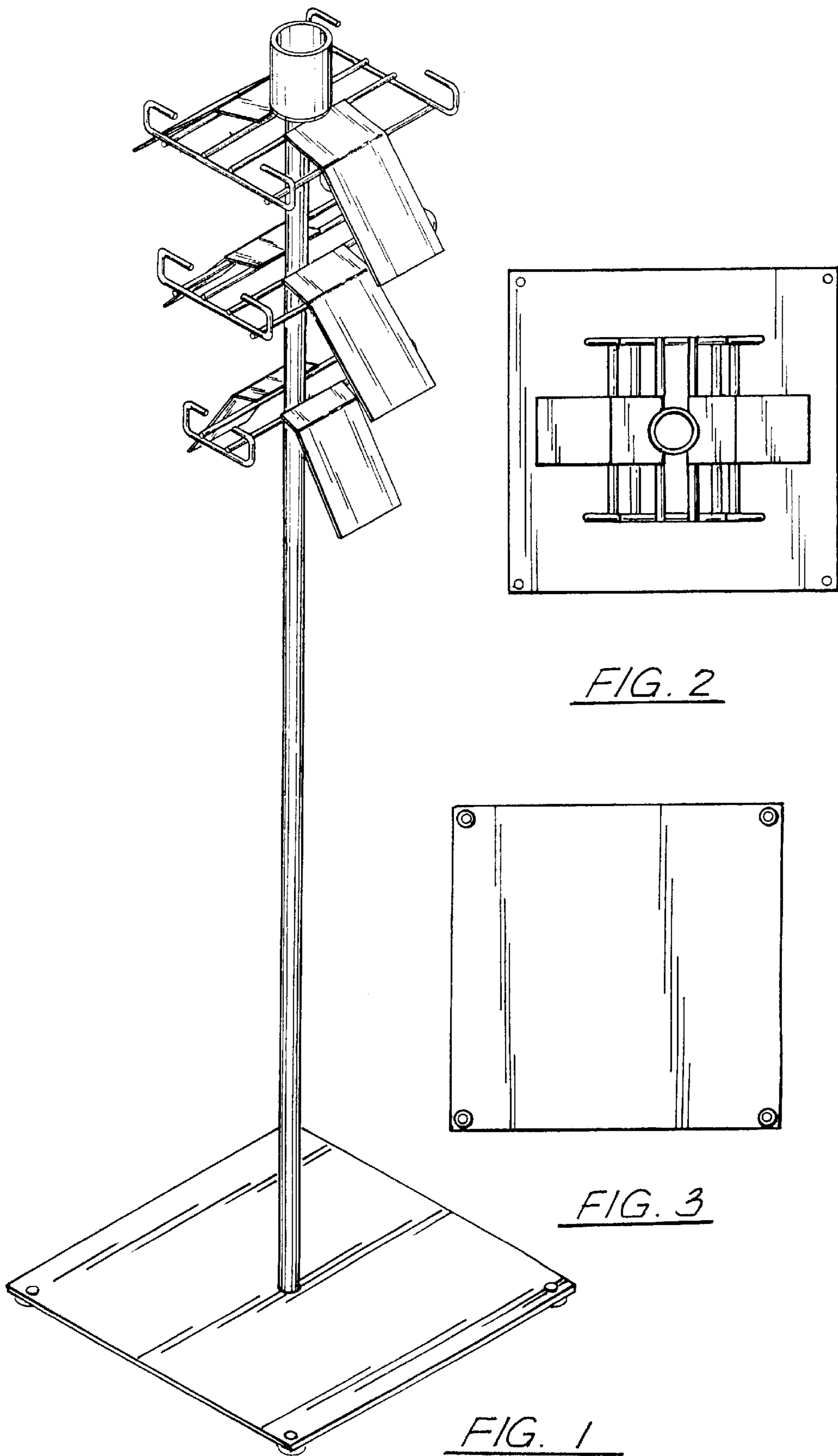


FIG. 2

FIG. 3

FIG. 1

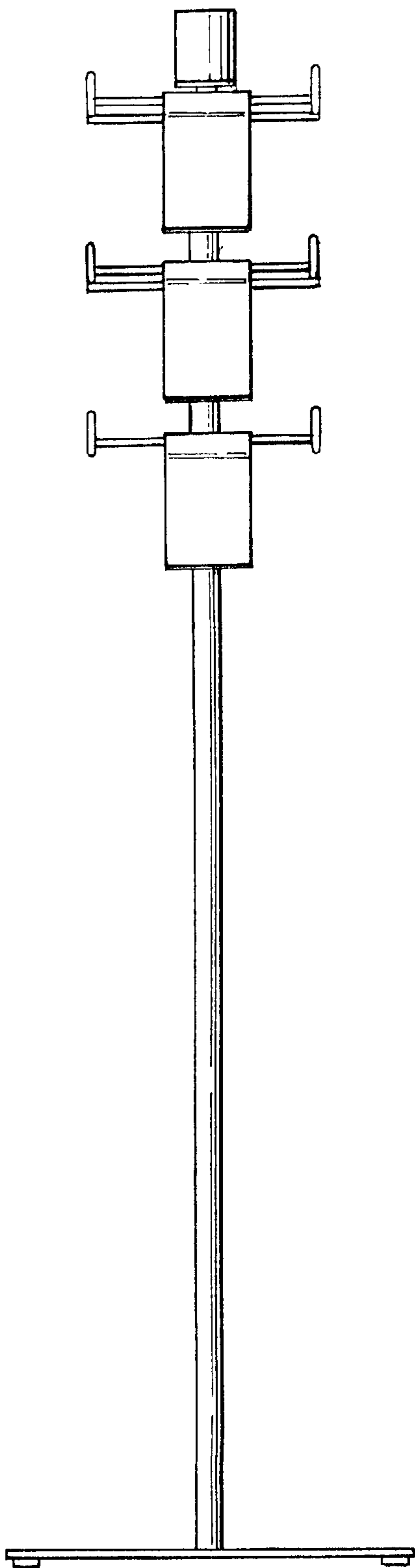


FIG. 4

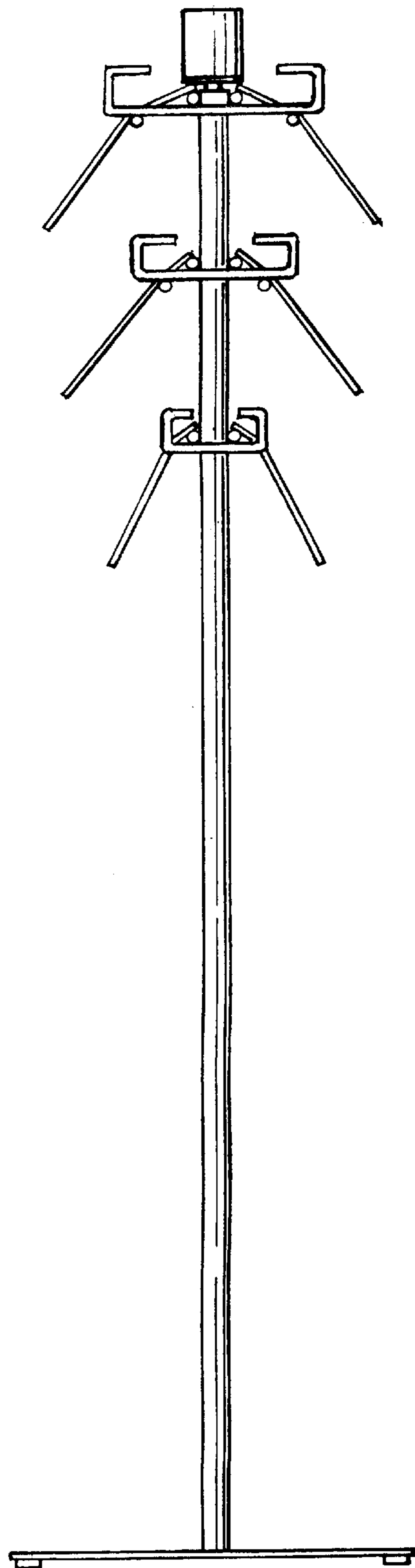


FIG. 5