



US00D433854S

United States Patent [19] Diffrient

[11] **Patent Number: Des. 433,854**

[45] **Date of Patent: ** Nov. 21, 2000**

[54] **ERGONOMIC STOOL**

[75] **Inventor: Niels Diffrient**, Ridgefield, Conn.

[73] **Assignee: SoftView Computer Products Corp.**,
New York, N.Y.

[**] **Term: 14 Years**

[21] **Appl. No.: 29/105,936**

[22] **Filed: Jun. 4, 1999**

[51] **LOC (7) Cl. 06-06**

[52] **U.S. Cl. D6/502; D6/340; D6/354**

[58] **Field of Search D6/334, 335, 340,
D6/349, 351, 354, 355, 366, 500, 501,
502; 297/195.1, 195.11, 156, 219.11**

[56] **References Cited**

U.S. PATENT DOCUMENTS

D. 168,001	10/1952	Sachs	D6/349
D. 271,352	11/1983	De Boer	D6/349
D. 275,156	8/1984	Carlin	D6/365
D. 292,660	11/1987	Levin	D6/502
D. 307,085	4/1990	Cook et al.	D6/354
D. 329,538	9/1992	Rau	D6/366

D. 333,041	2/1993	Choi et al.	D6/354
D. 342,850	1/1994	Slicker et al.	D6/354
D. 375,425	11/1996	Gale	D6/502
635,234	10/1899	Chance	297/95.11
2,508,932	5/1950	Turner	297/195.11
4,130,263	12/1978	Roericht	297/195.11
4,469,372	9/1984	Long	D6/372
4,932,719	6/1990	Rojas	297/195.11

Primary Examiner—Doris V. Coles
Assistant Examiner—Mimosa De
Attorney, Agent, or Firm—Coudert Brothers

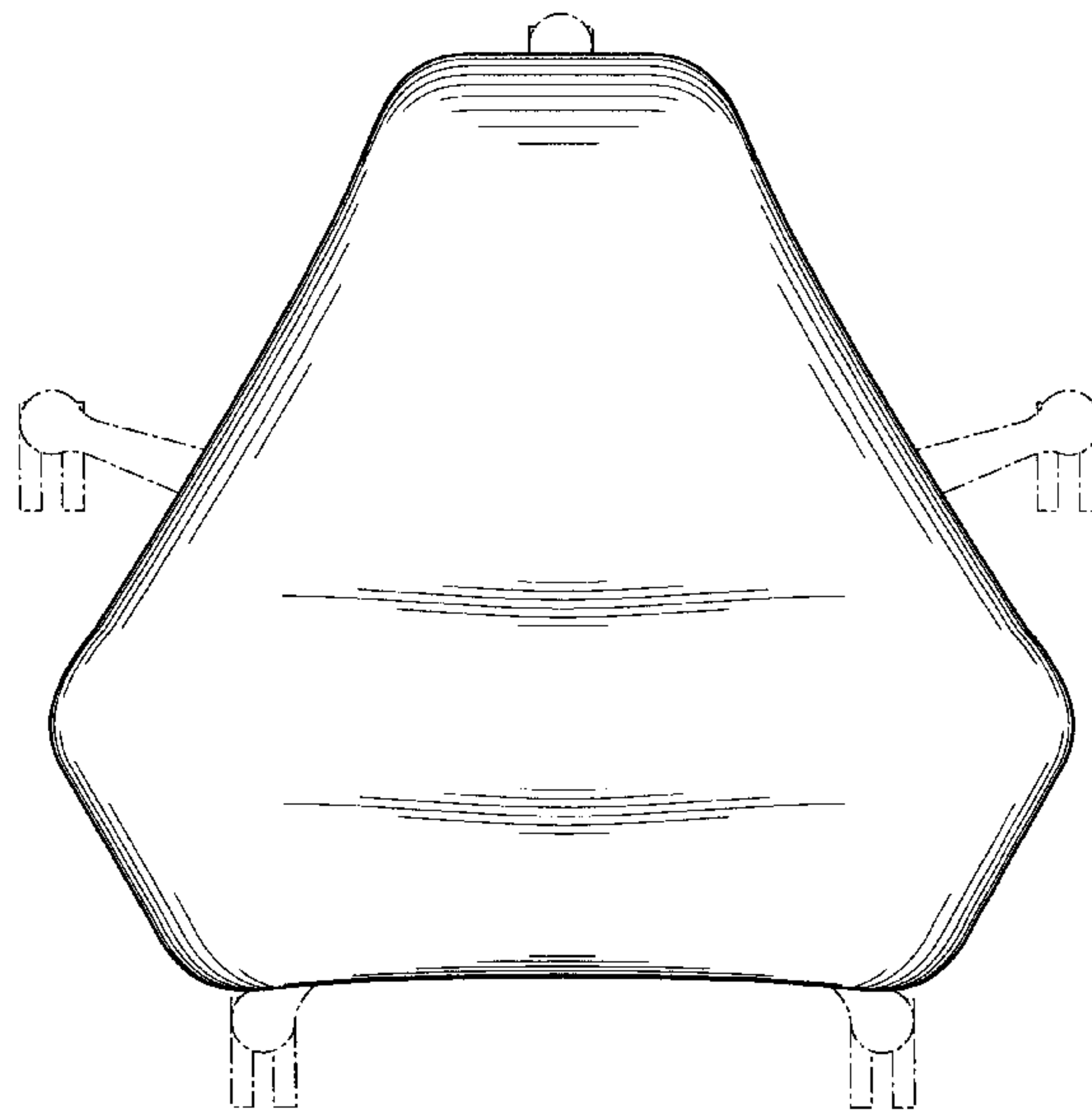
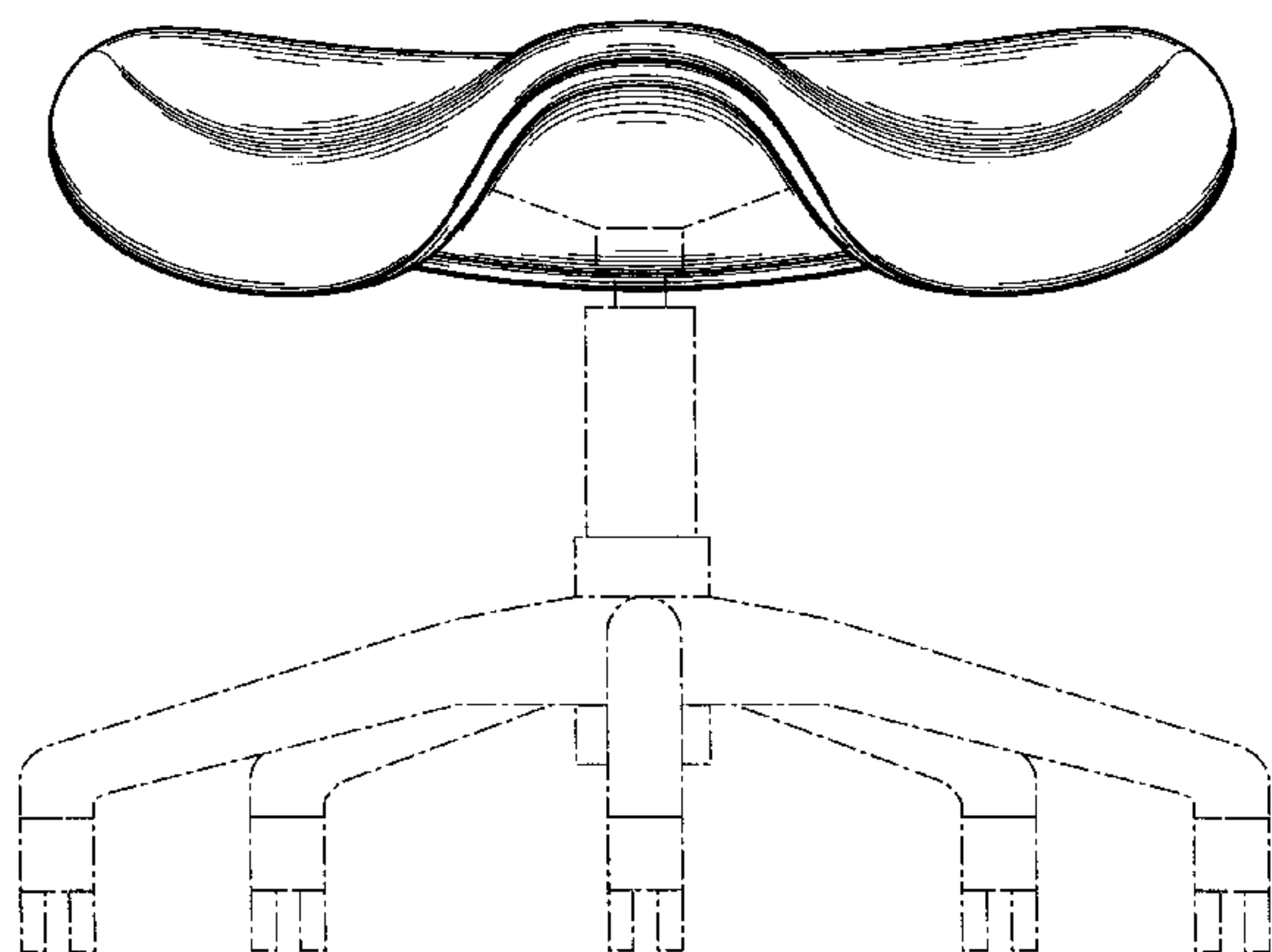
[57] **CLAIM**

The ornamental design for an ergonomic stool, as shown and described.

DESCRIPTION

FIG. 1 is a front view of an ergonomic stool showing my new design;
FIG. 2 is a side view thereof;
FIG. 3 is a rear view thereof;
FIG. 4 is a top front perspective view thereof;
FIG. 5 is a top plan view thereof; and,
FIG. 6 is a bottom plan view thereof.

1 Claim, 6 Drawing Sheets



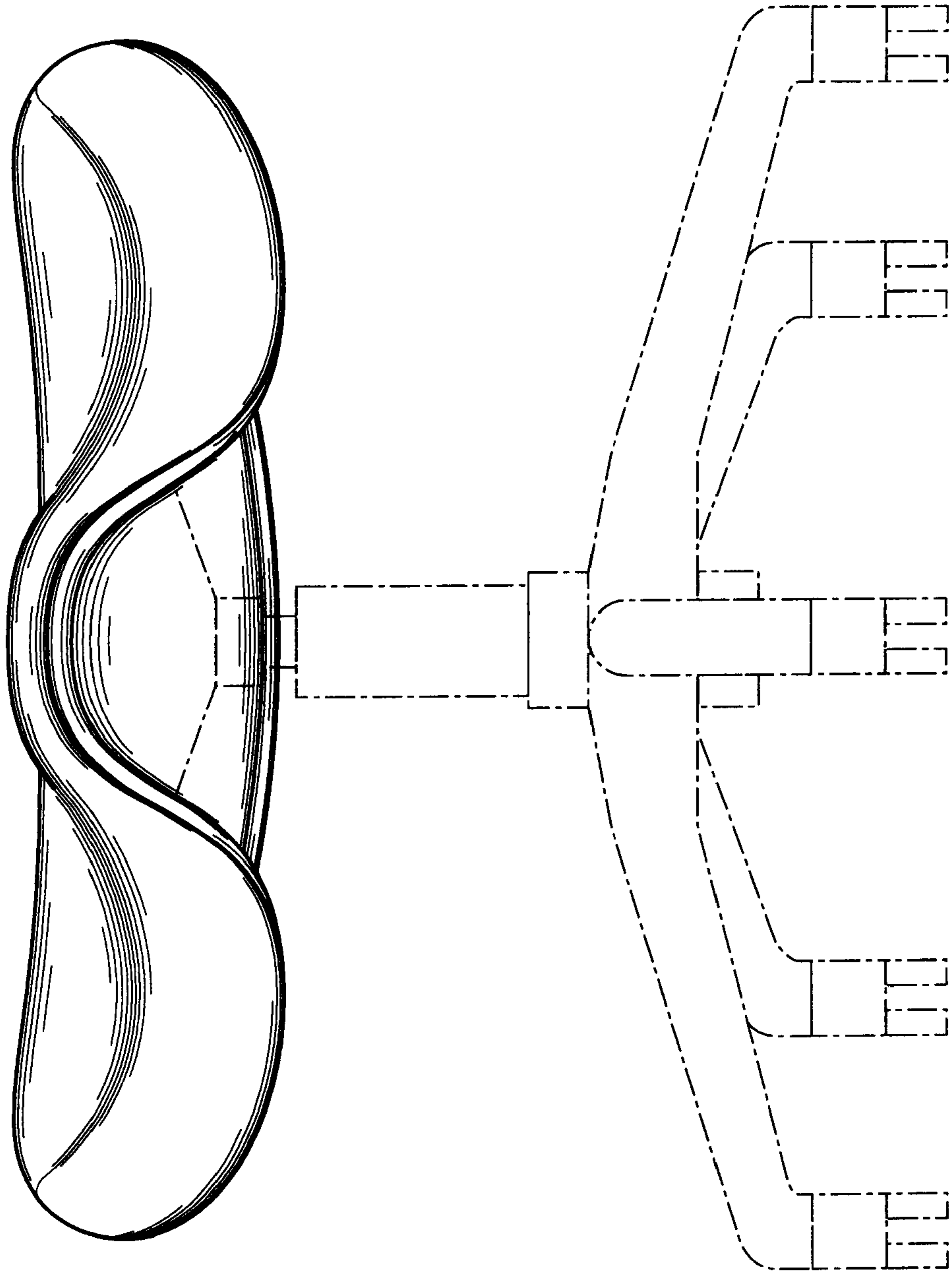


FIG. 1

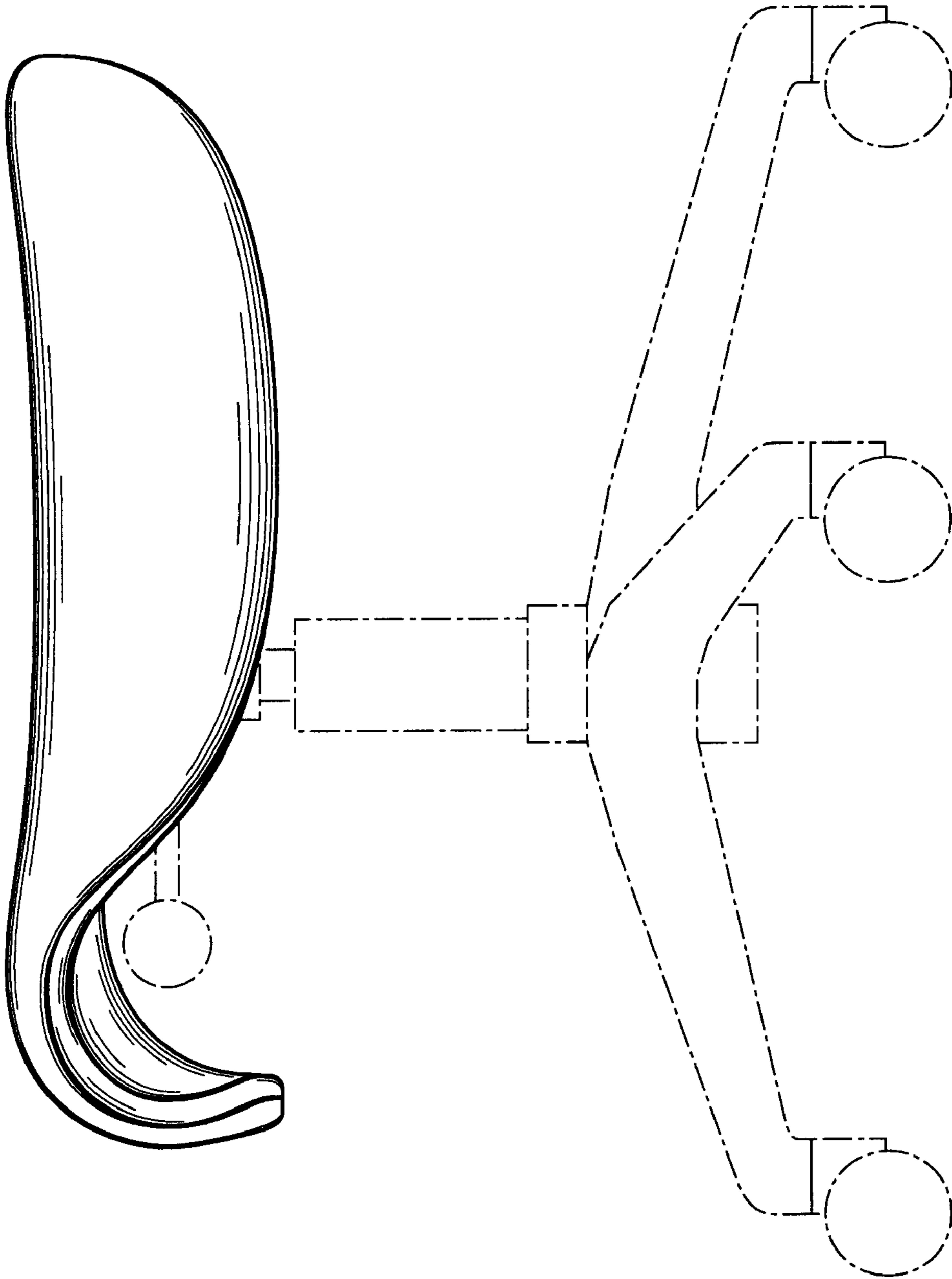


FIG. 2

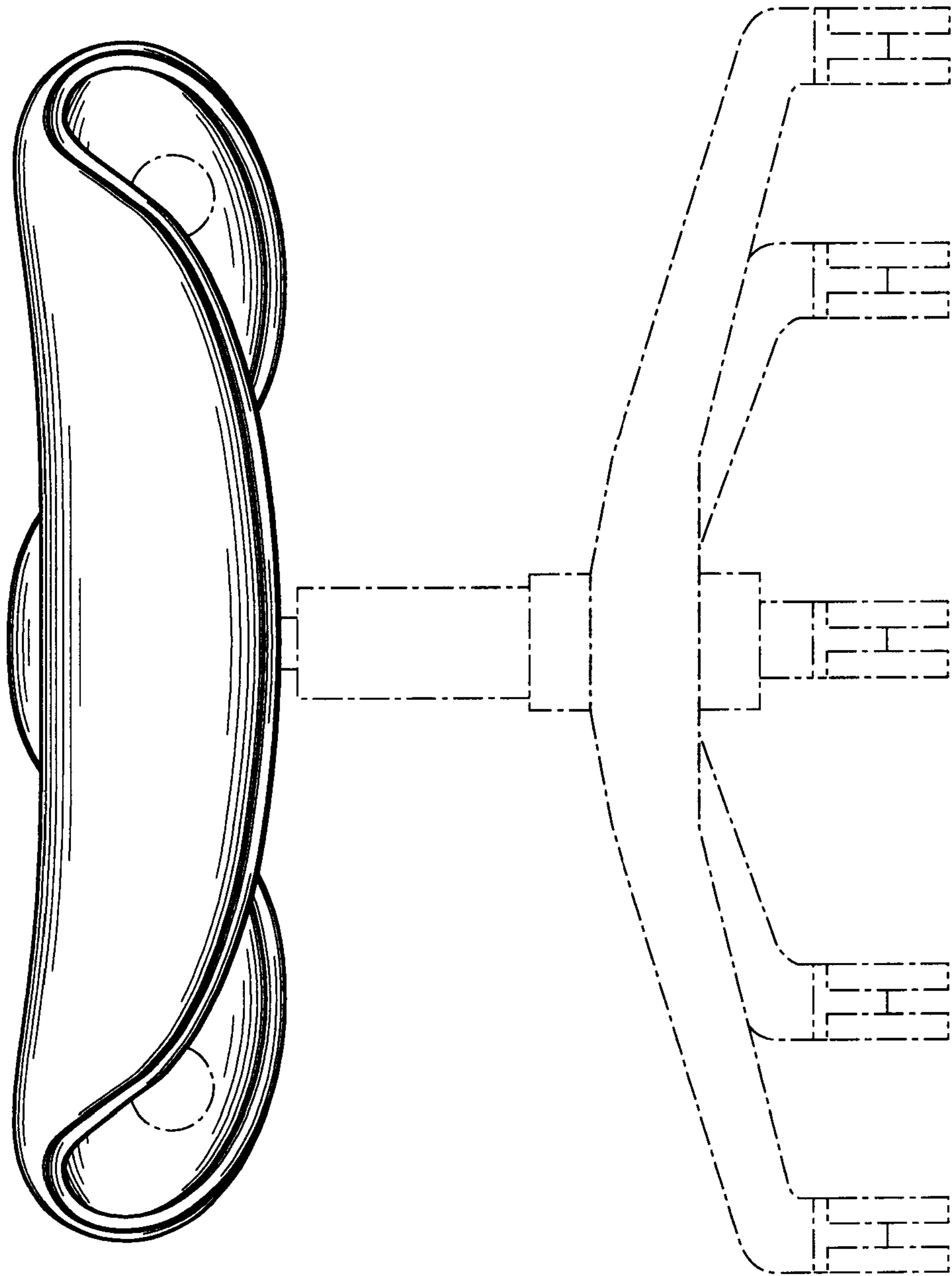


FIG. 3

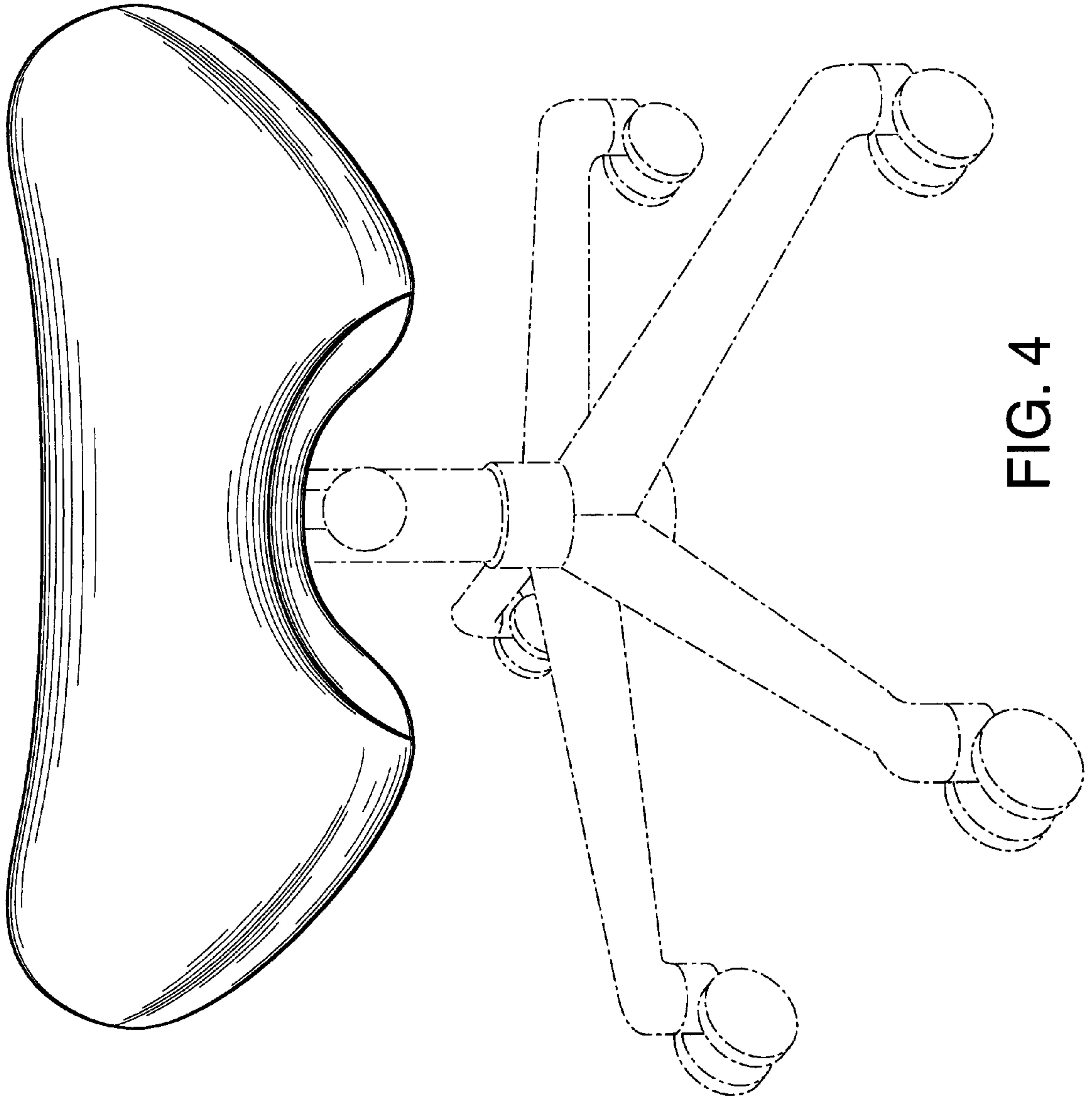


FIG. 4

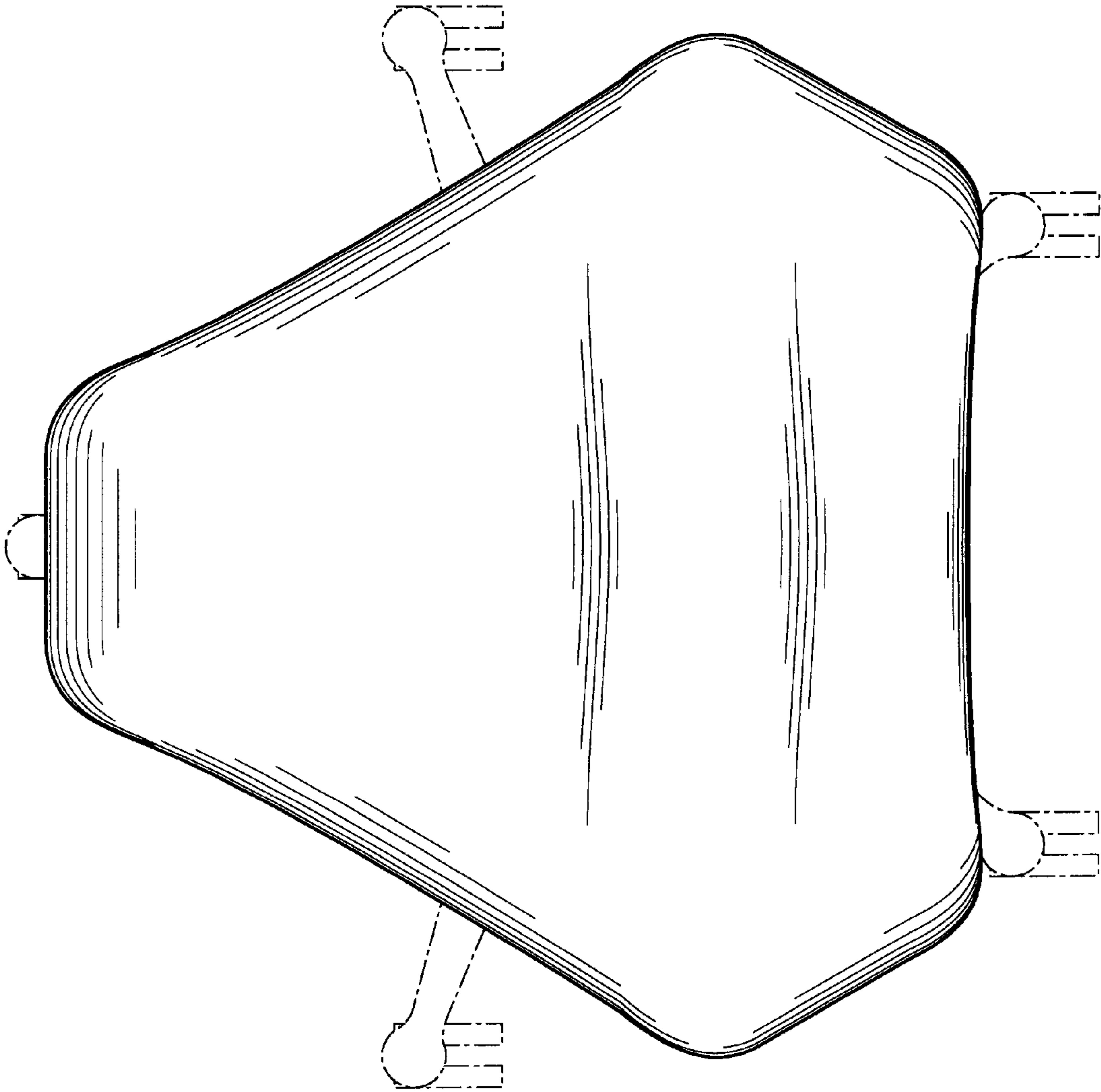


FIG. 5

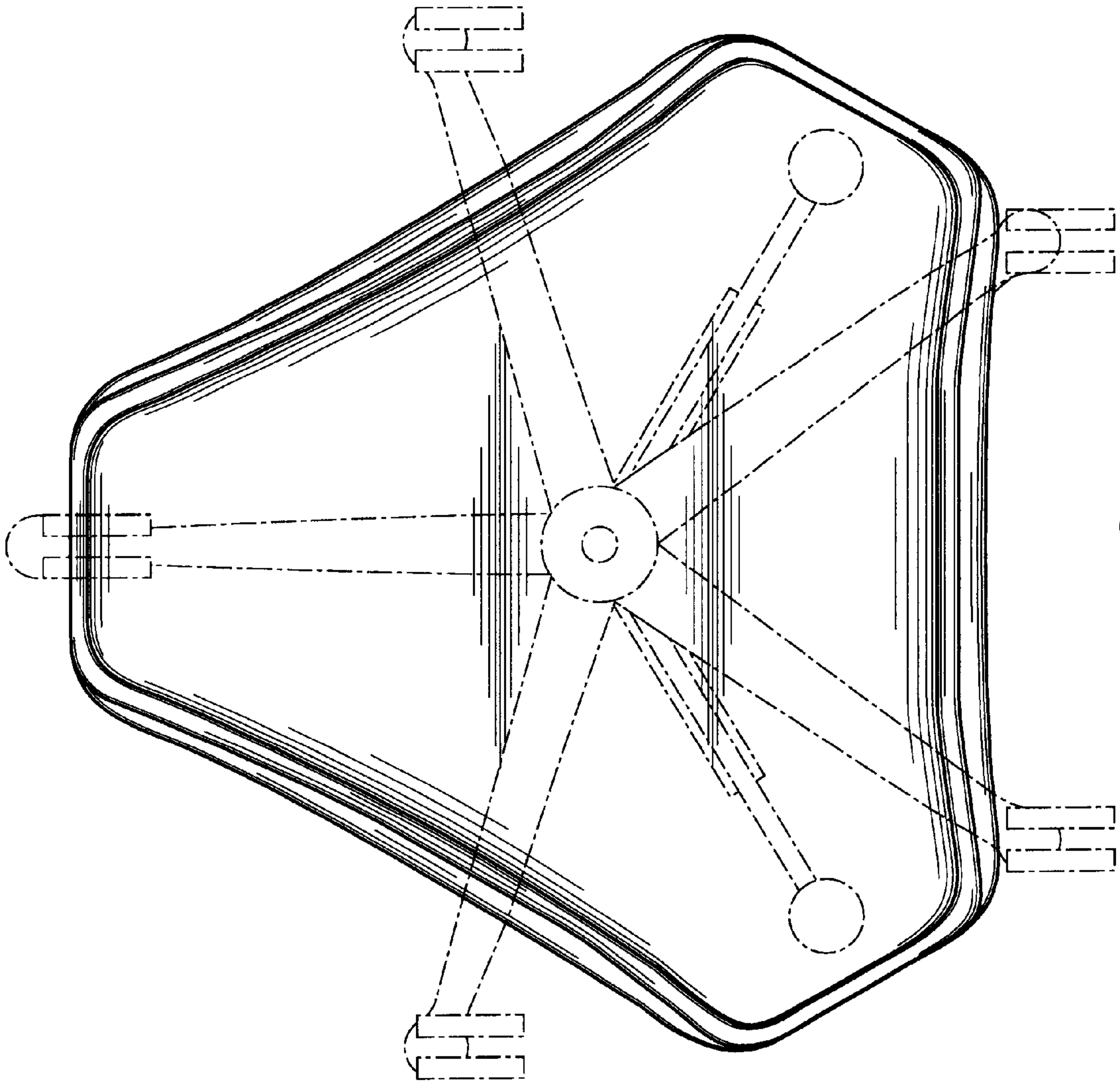


FIG. 6