



US00D433852S

United States Patent [19]
Zhou

[11] **Patent Number: Des. 433,852**

[45] **Date of Patent: ** Nov. 21, 2000**

[54] **SEAT PLATE**

[76] Inventor: **Rui Zhou**, 17396 Jessica La., Chino Hills, Calif. 91709

[**] Term: **14 Years**

[21] Appl. No.: **29/108,391**

[22] Filed: **Jul. 27, 1999**

[51] **LOC (7) Cl.** **06-06**

[52] **U.S. Cl.** **D6/500**

[58] **Field of Search** D6/334, 364, 365, D6/366, 367, 491, 500, 501, 502; 248/161, 578; 297/344.18, 344.19, 344.21

[56] **References Cited**

U.S. PATENT DOCUMENTS

- D. 285,633 9/1986 Doerner D6/500
- D. 377,283 1/1997 Su D6/500

Primary Examiner—Gary D. Watson

Attorney, Agent, or Firm—Sheldon & Mak

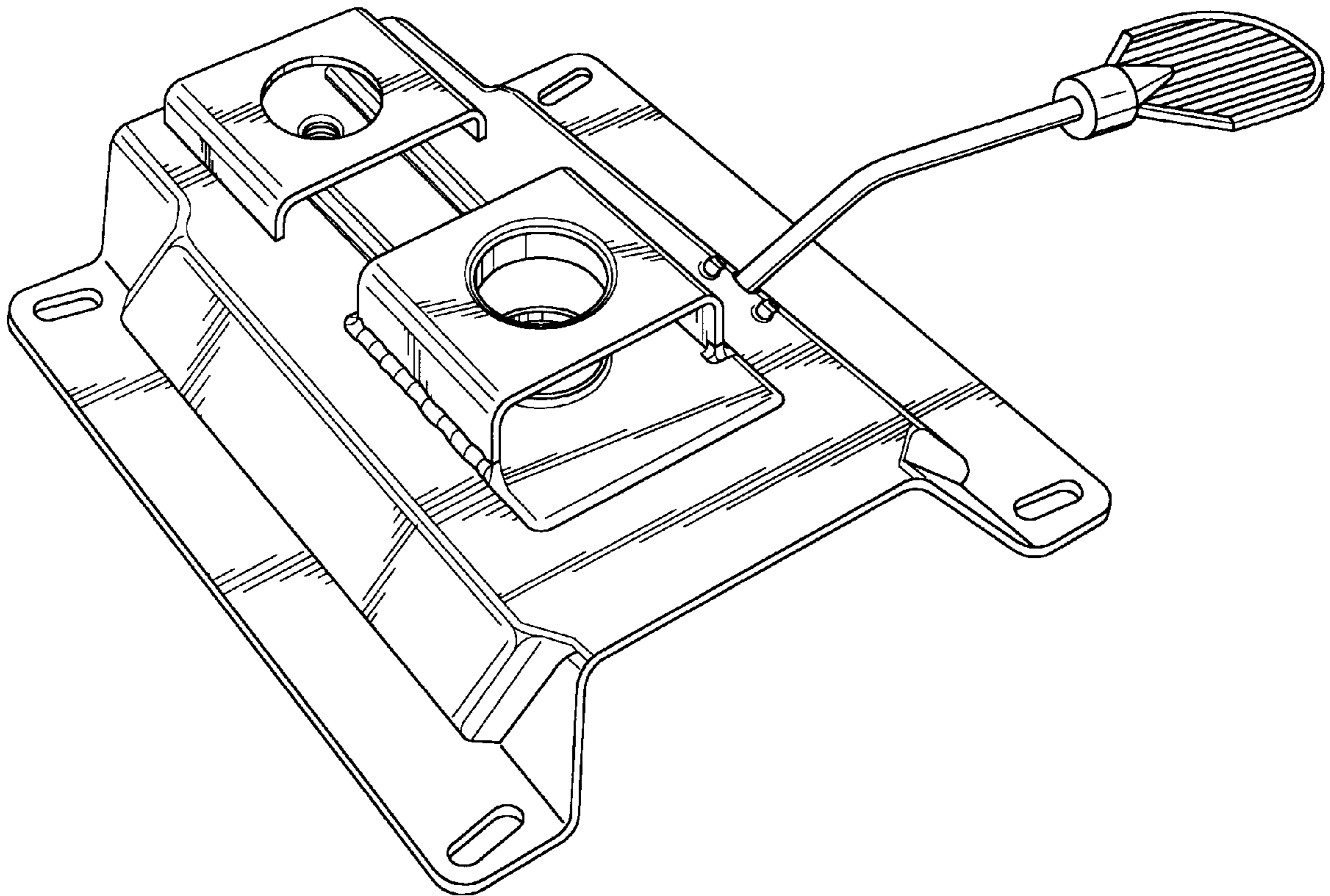
[57] **CLAIM**

The ornamental design of a seat plate, as shown and described.

DESCRIPTION

FIG. 1 is a top elevational view of the seat plate showing my new design;
 FIG. 2 is a rear view of the seat plate of FIG. 1;
 FIG. 3 is a front view of the seat plate of FIG. 1;
 FIG. 4 is a bottom elevational view of the seat plate of FIG. 1;
 FIG. 5 is a right side view of the seat plate of FIG. 1;
 FIG. 6 is a left side view of the seat plate of FIG. 1; and,
 FIG. 7 is a perspective view (with the seat plate flipped over) of the seat plate in FIG. 1; showing in more detail the raised portion immediately in front of the front bracket, and the welding which goes only along the outside of the front bracket.

1 Claim, 3 Drawing Sheets



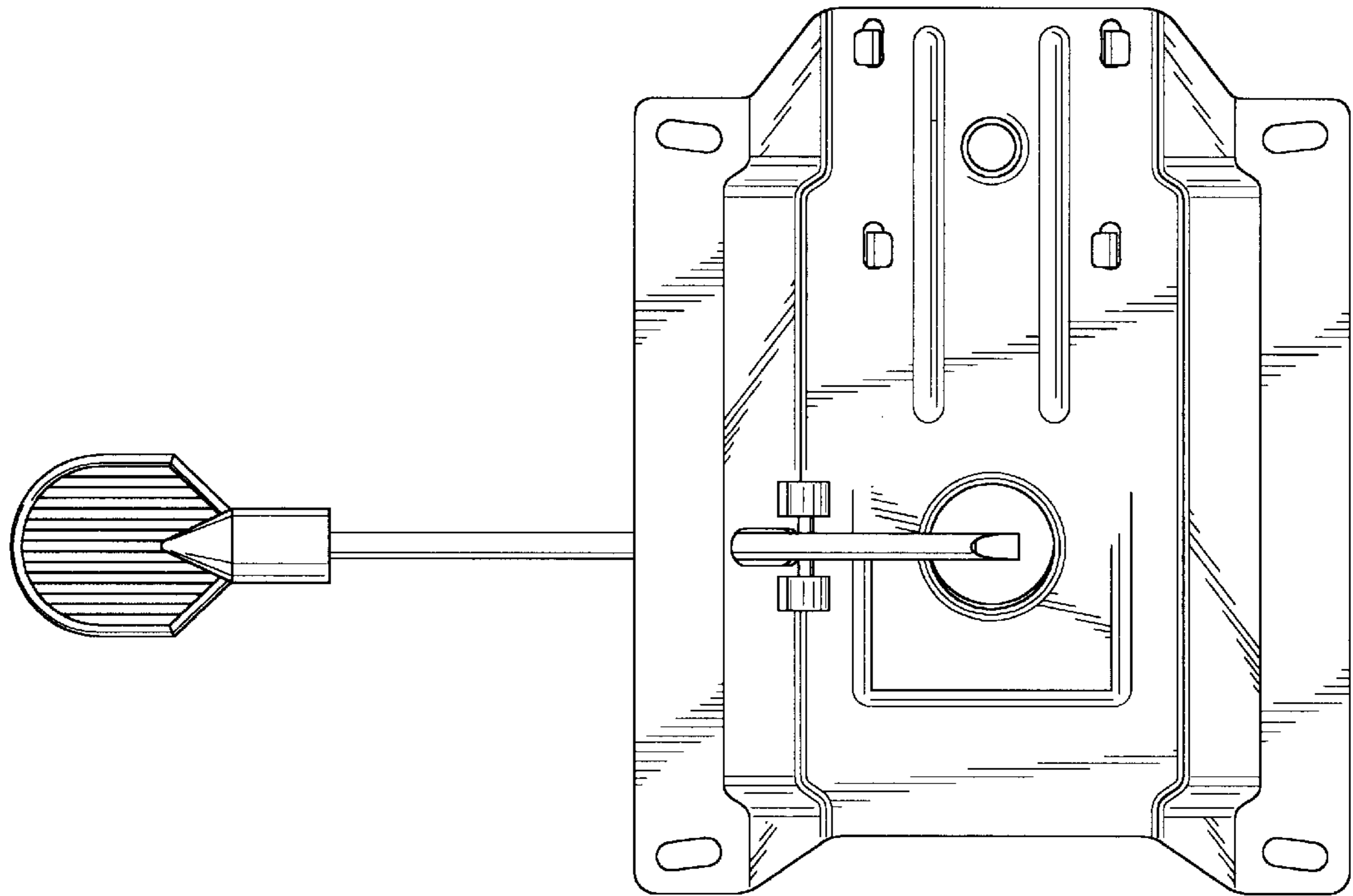


FIG. 1

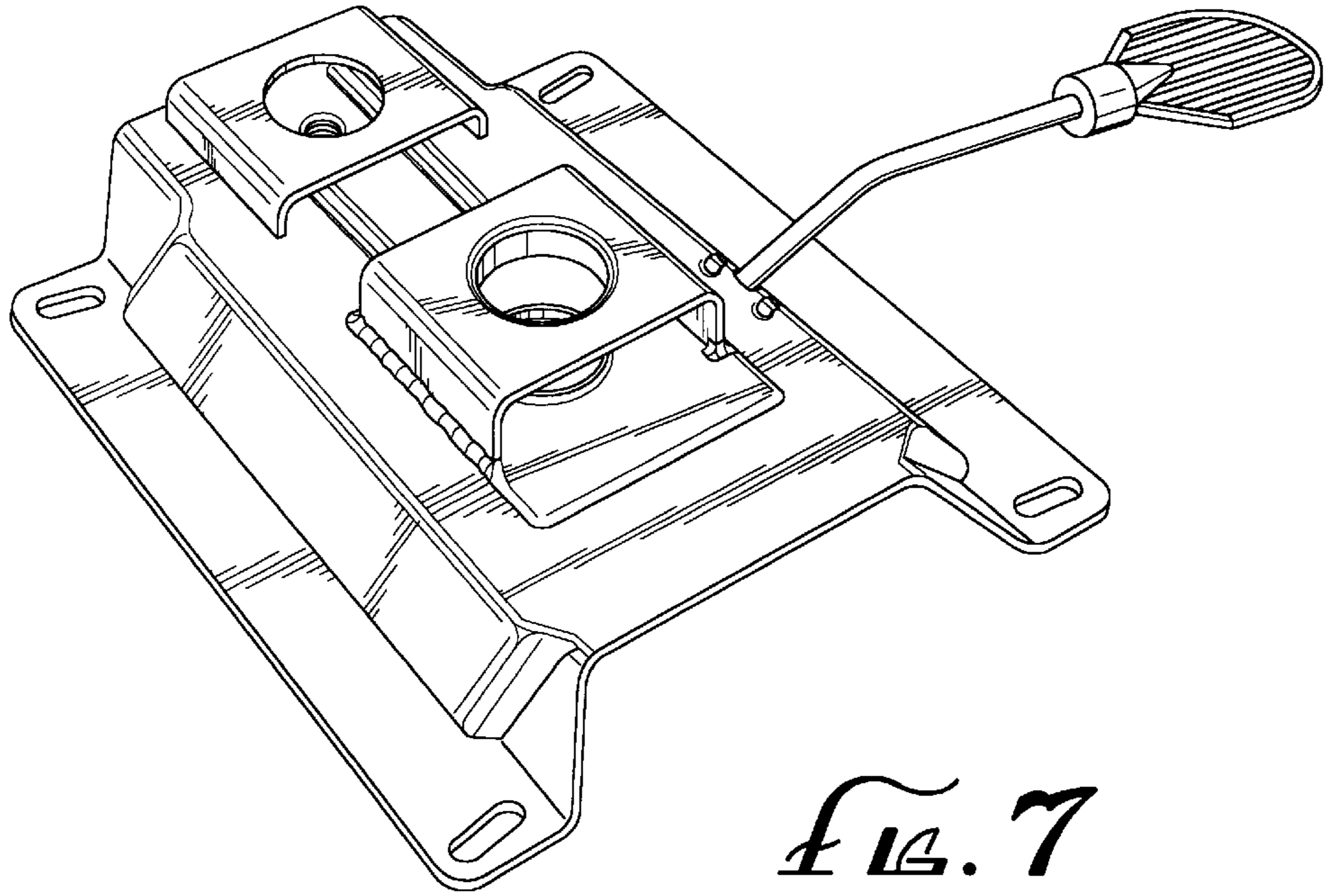


FIG. 7

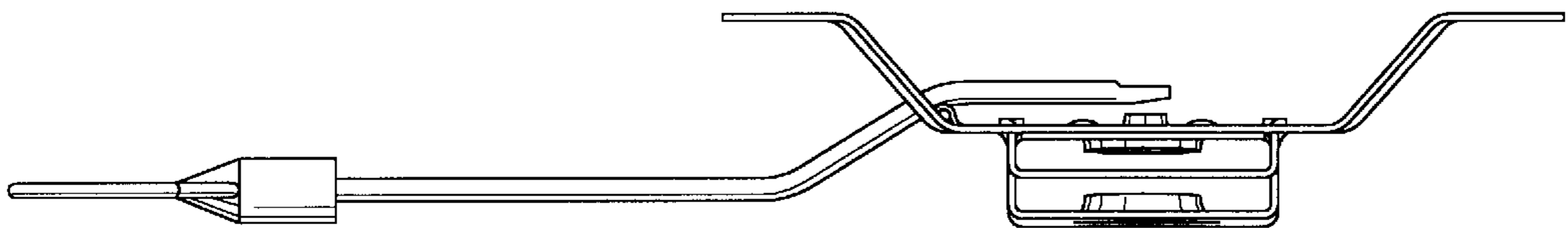


FIG. 2

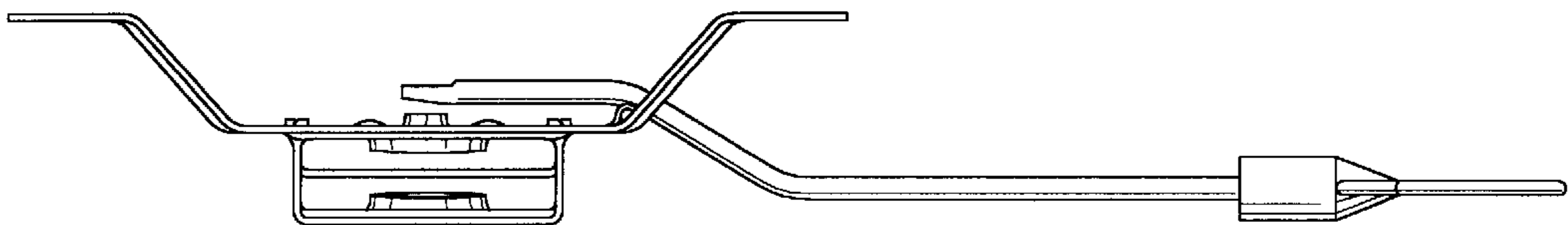


FIG. 3

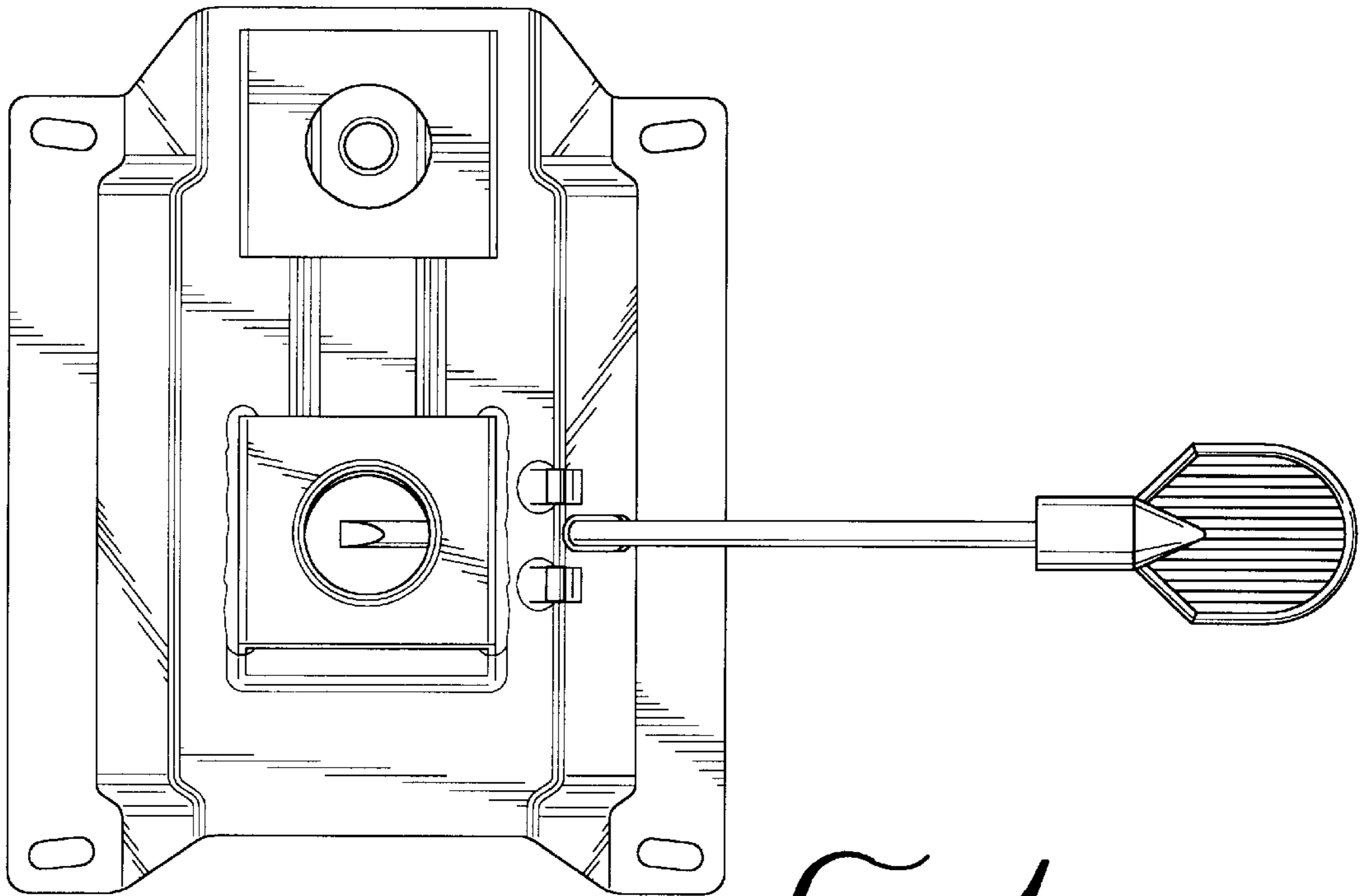


FIG. 4

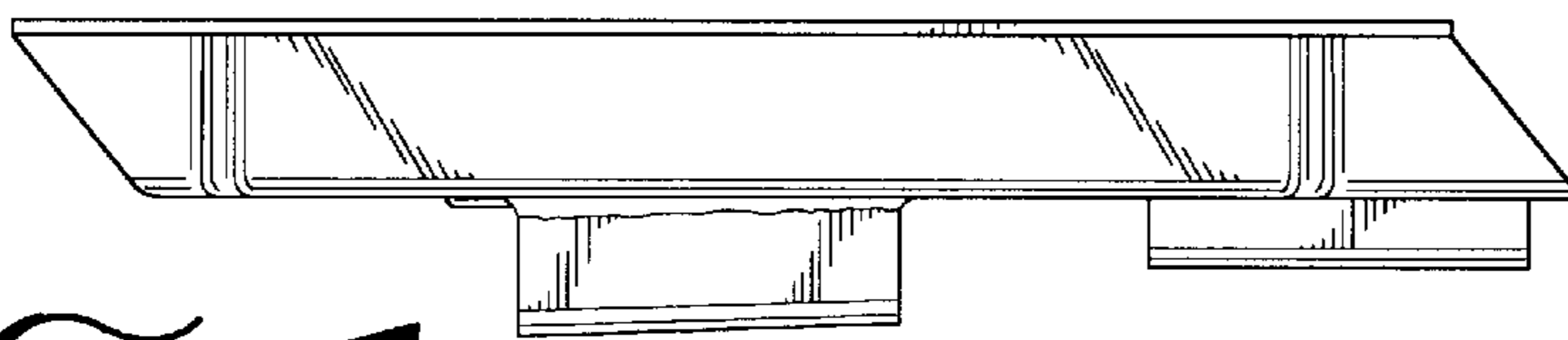


FIG. 5

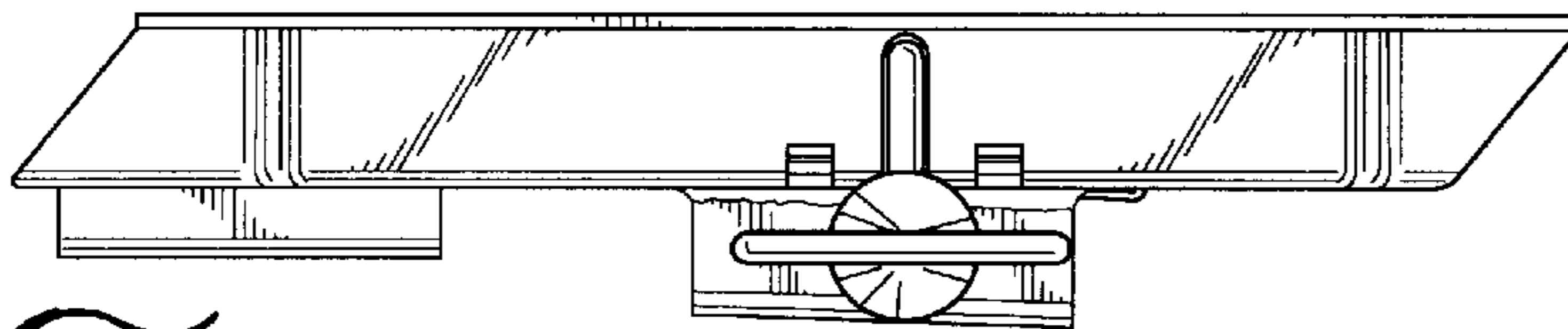


FIG. 6