



US00D433851S

United States Patent [19]

Roh

[11] Patent Number: Des. 433,851

[45] Date of Patent: ** Nov. 21, 2000

[54] PROTECTIVE COVER FOR A BABY SEAT

[76] Inventor: Warren Edward Roh, 7753 S. Ames Way, Littleton, Colo. 80128

[**] Term: 14 Years

[21] Appl. No.: 29/117,225

[22] Filed: Jan. 19, 2000

Related U.S. Application Data

[63] Continuation of application No. 09/073,002, Apr. 15, 1998, Pat. No. 6,039,393, and application No. 09/073,003, Apr. 15, 1998, Pat. No. 6,019,421, which is a continuation of application No. PCT/US96/15553, Sep. 27, 1996, which is a continuation-in-part of application No. 08/593,074, Jan. 29, 1996, abandoned.

- [51] LOC (7) Cl. 06-06
- [52] U.S. Cl. D6/491; D6/333
- [58] Field of Search D6/333, 331, 491, D6/500, 610; D12/133; 5/416; 135/88.02; 296/77.1; 297/184.1, 184.11, 184.13, 184.15, 184.17, 250.1

[56] References Cited

U.S. PATENT DOCUMENTS

D. 396,207	7/1998	Berkey	D12/133
692,501	2/1902	Bentley .	
780,288	1/1905	Hassemer et al. .	
1,033,108	7/1912	Lehmann .	
1,257,206	2/1918	Fernbach .	
1,289,965	12/1918	Tichenor .	
1,339,527	5/1920	Sperling et al. .	
1,412,935	4/1922	Greenebaum .	
1,770,841	7/1930	Clyman .	
2,218,043	10/1940	Lilleberg	296/79
2,546,843	3/1951	Zigterman	5/364
2,648,565	8/1953	Kenedy et al.	296/77.1
2,735,716	2/1956	Shimabukuro	296/78
3,193,322	7/1965	Hines	296/78.1

4,583,779	4/1986	Meyers	297/184
4,666,207	5/1987	Quartano	297/229
4,716,594	1/1988	Shannon	2/4
4,810,030	3/1989	Lewis	297/184
4,946,221	8/1990	Livingston	297/184
4,947,883	8/1990	Mayo	135/90
4,997,231	3/1991	Smith	297/184
5,074,616	12/1991	Smith	297/184
5,184,865	2/1993	Mohtaham et al.	296/77.1
5,301,999	4/1994	Thompson et al.	297/184.13
5,308,139	5/1994	Rieger	297/184.11
5,309,586	5/1994	Sies et al.	5/482
5,432,965	7/1995	Espinoza	5/482
5,522,639	6/1996	Jaime	297/184.13
5,549,354	8/1996	Rosen	297/184.13
5,730,490	3/1998	Motenson	297/184.13

Primary Examiner—Doris V. Coles

Assistant Examiner—Mimosa De

[57] CLAIM

The ornamental design for a protective cover for a baby seat, as shown and described.

DESCRIPTION

FIG. 1 is a perspective view of a protective cover for a baby seat, with the deployable hood being deployed forward over the mesh for ease of illustration;

FIG. 2 is a perspective view thereof, the deployable hood portion being deployed rearward over the rear canopy for ease of illustration;

FIG. 3 is a side elevation view thereof, the sides being mirror images of each other;

FIG. 4 is a front elevation view thereof;

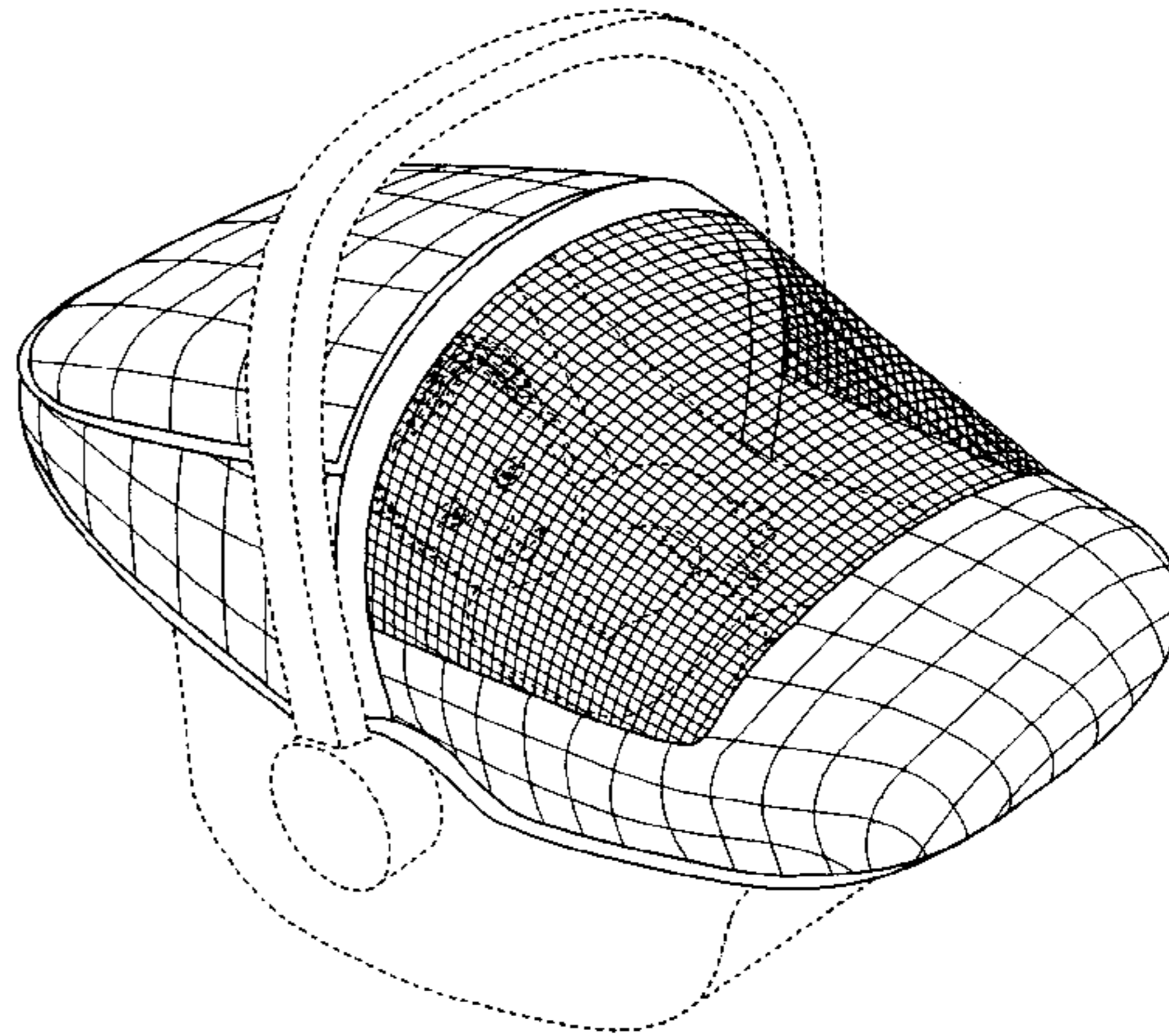
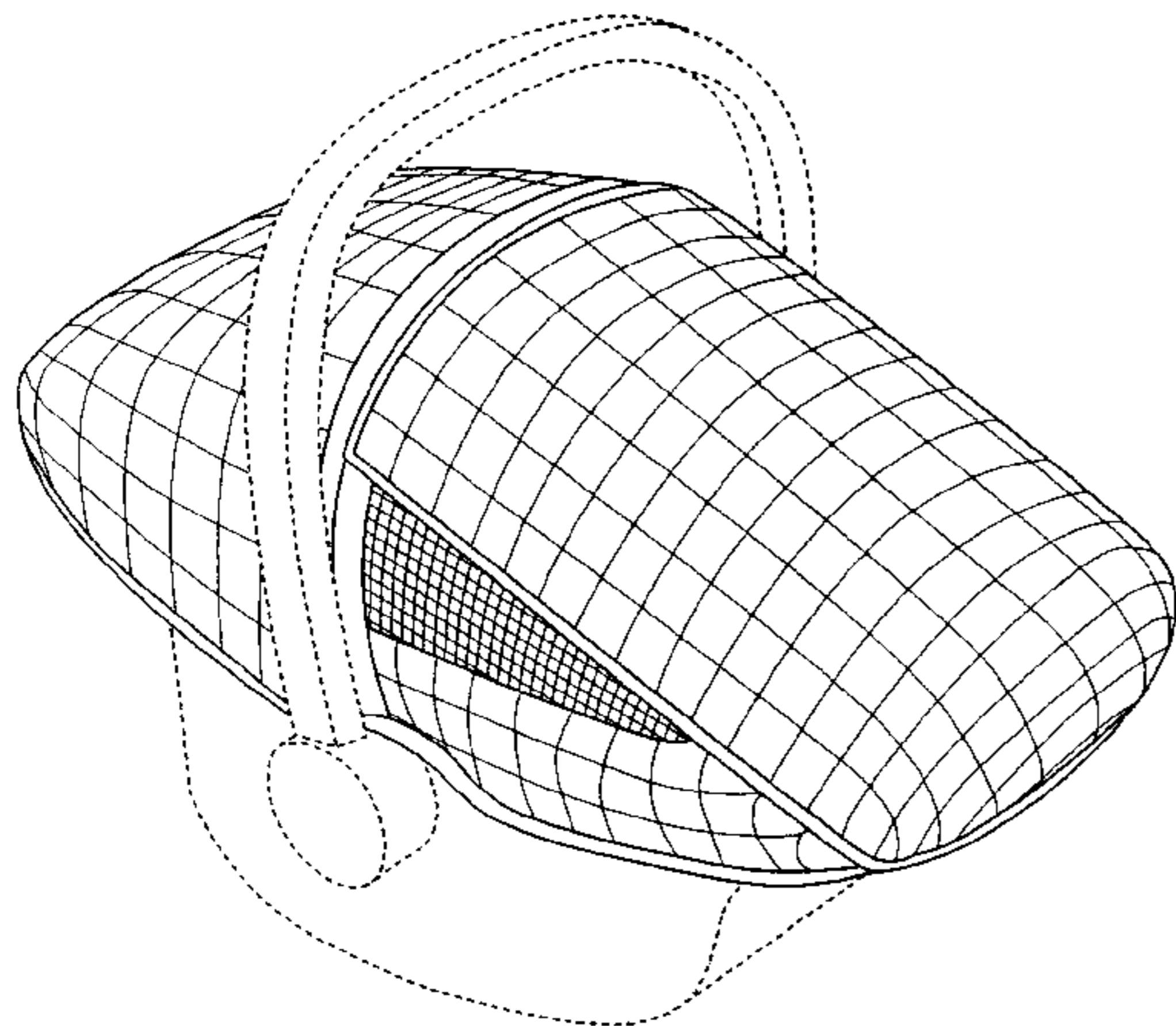
FIG. 5 is a rear elevation view thereof;

FIG. 6 is a top plan view thereof; and,

FIG. 7 is a bottom view thereof.

In the drawings, broken lines showing the baby seat and its occupant or the baby seat alone are for illustrative purposes only and form no part of the claimed design.

1 Claim, 3 Drawing Sheets



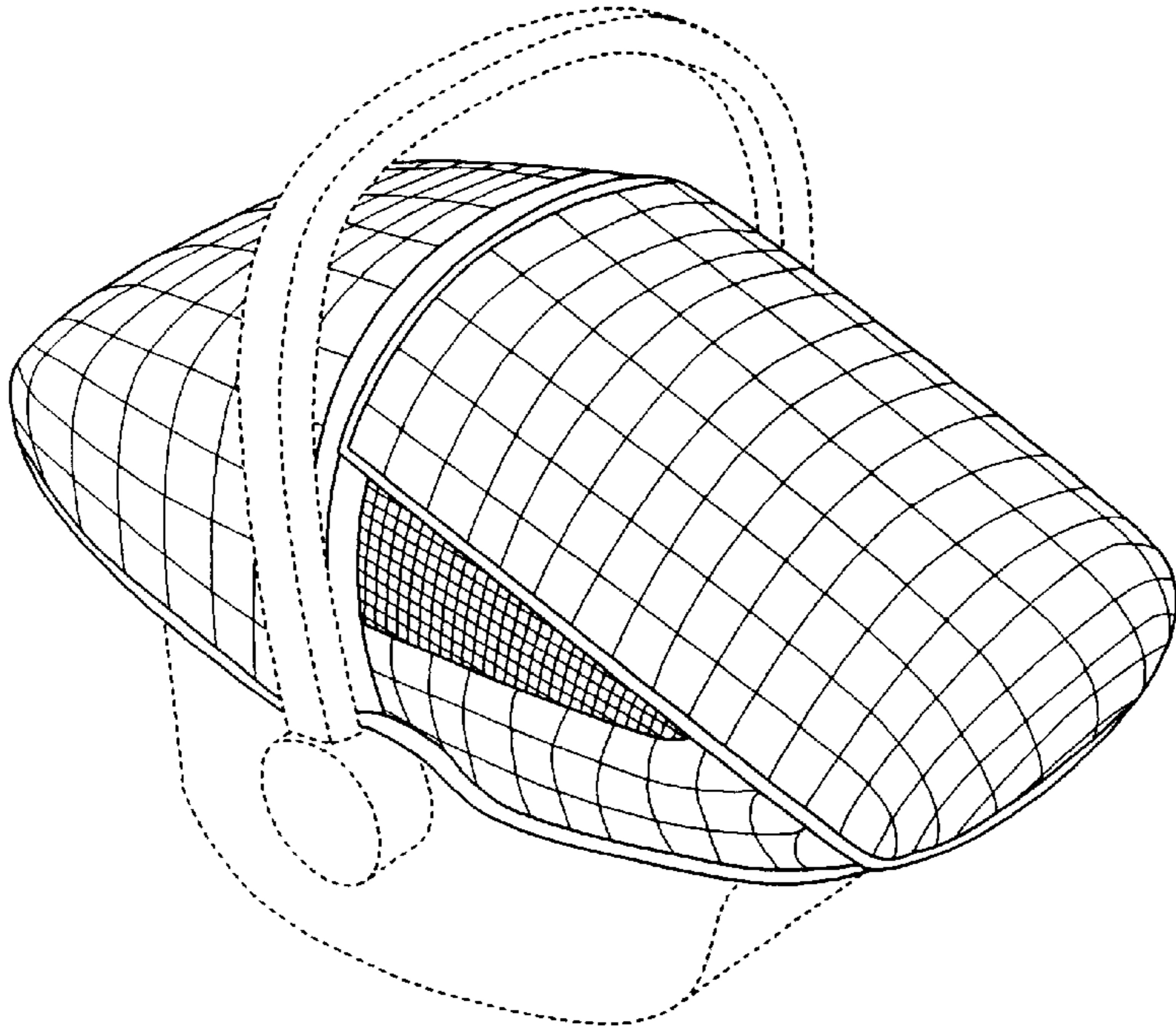


Fig. 1

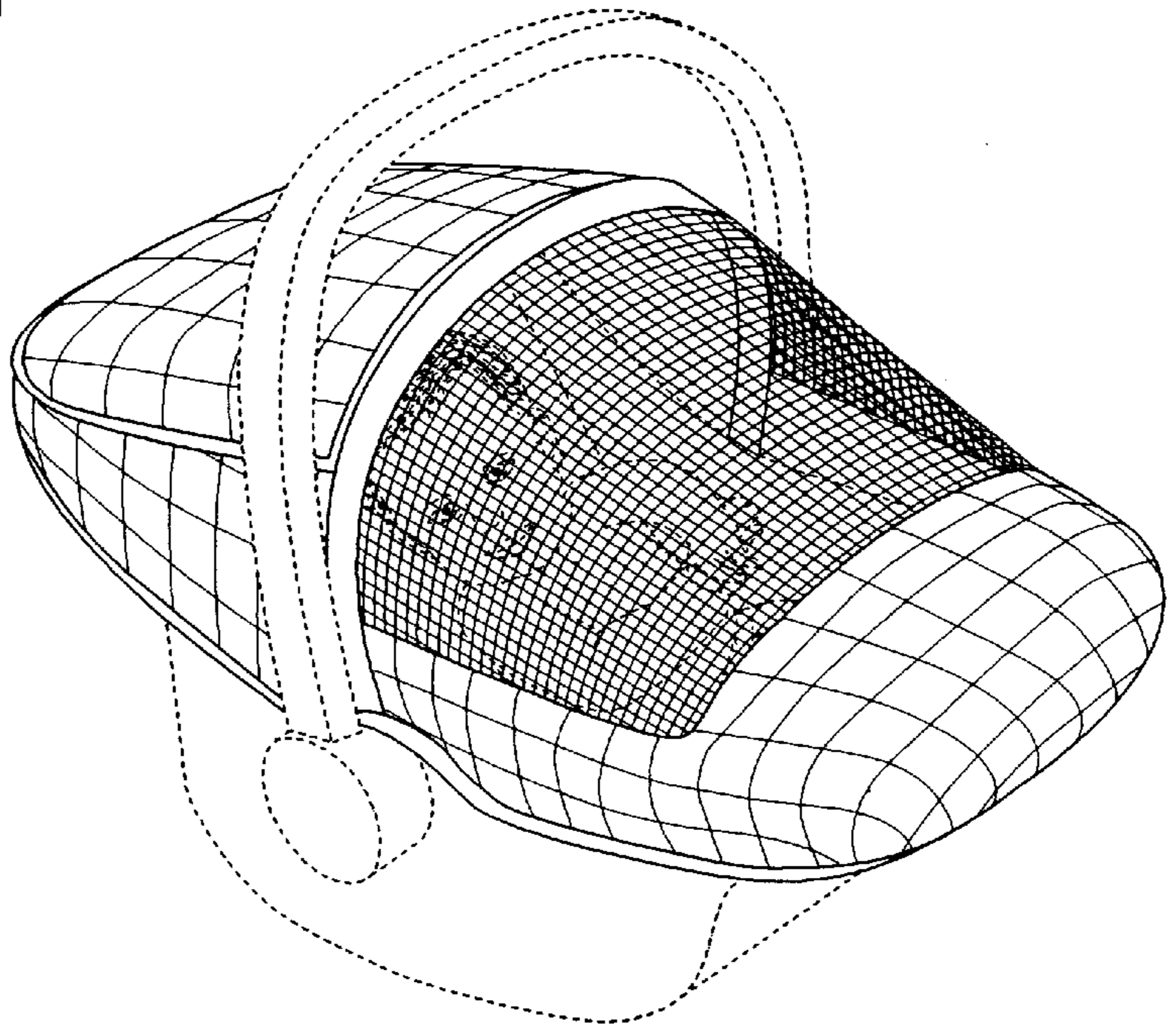


Fig. 2

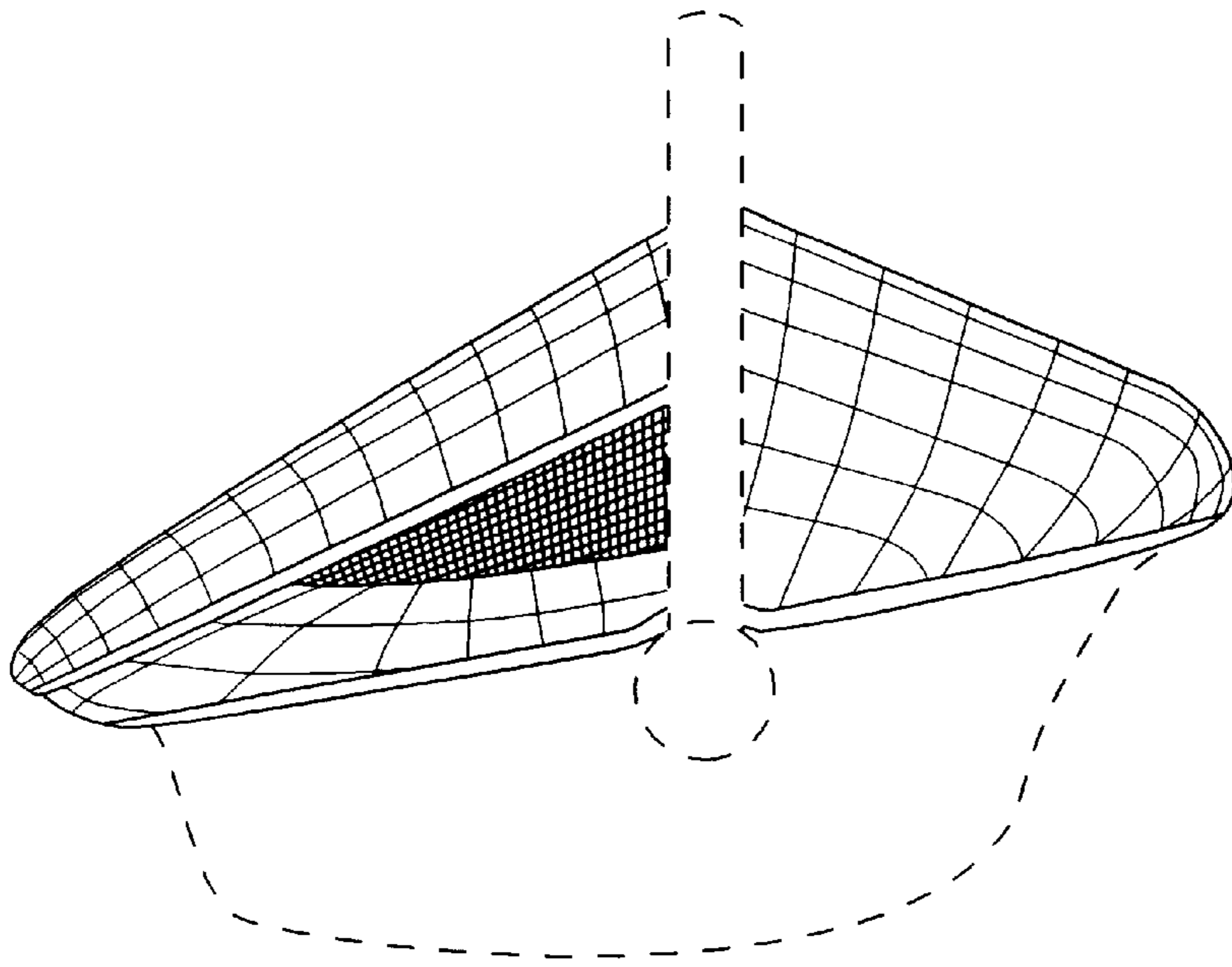


Fig. 3

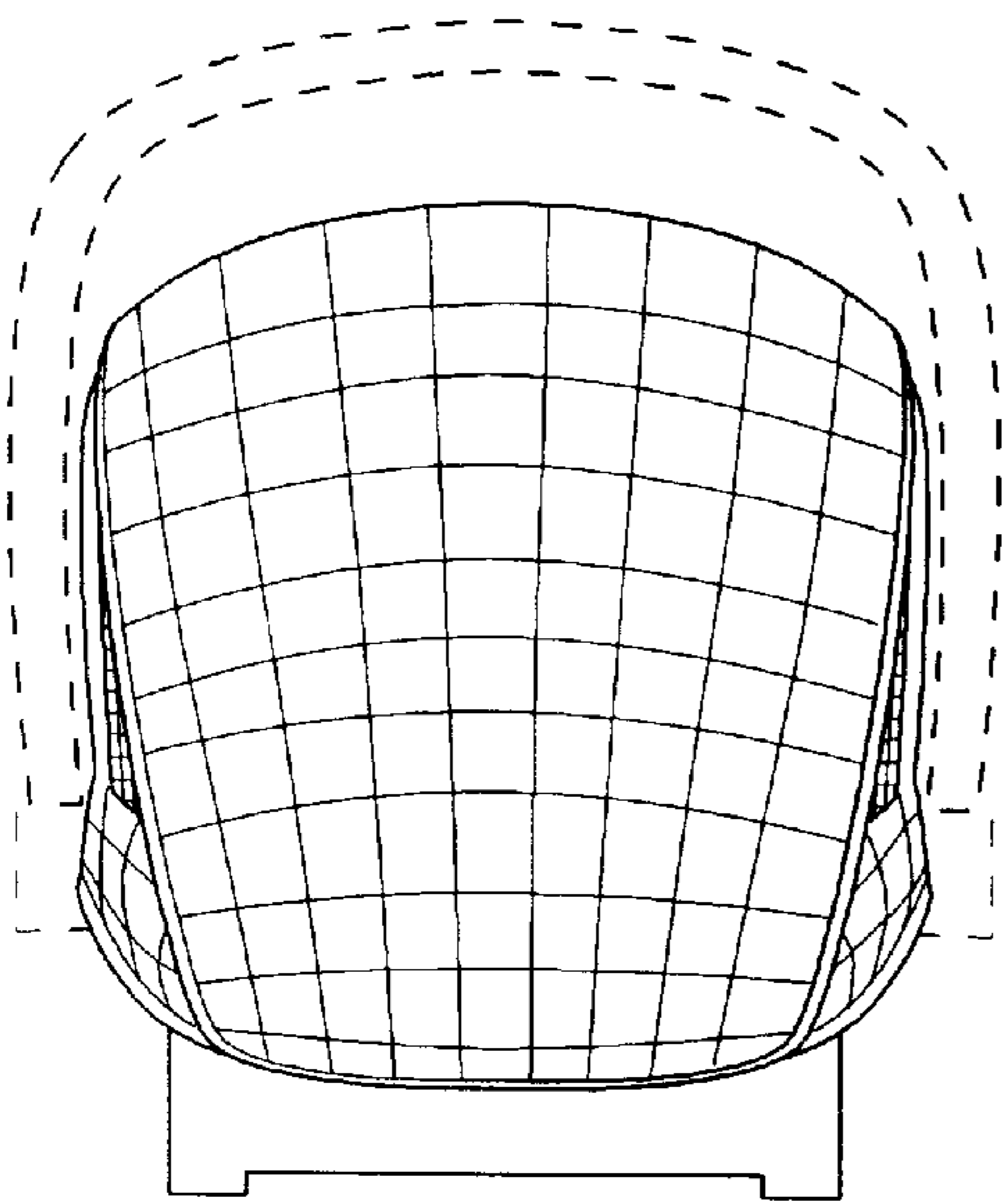


Fig. 4

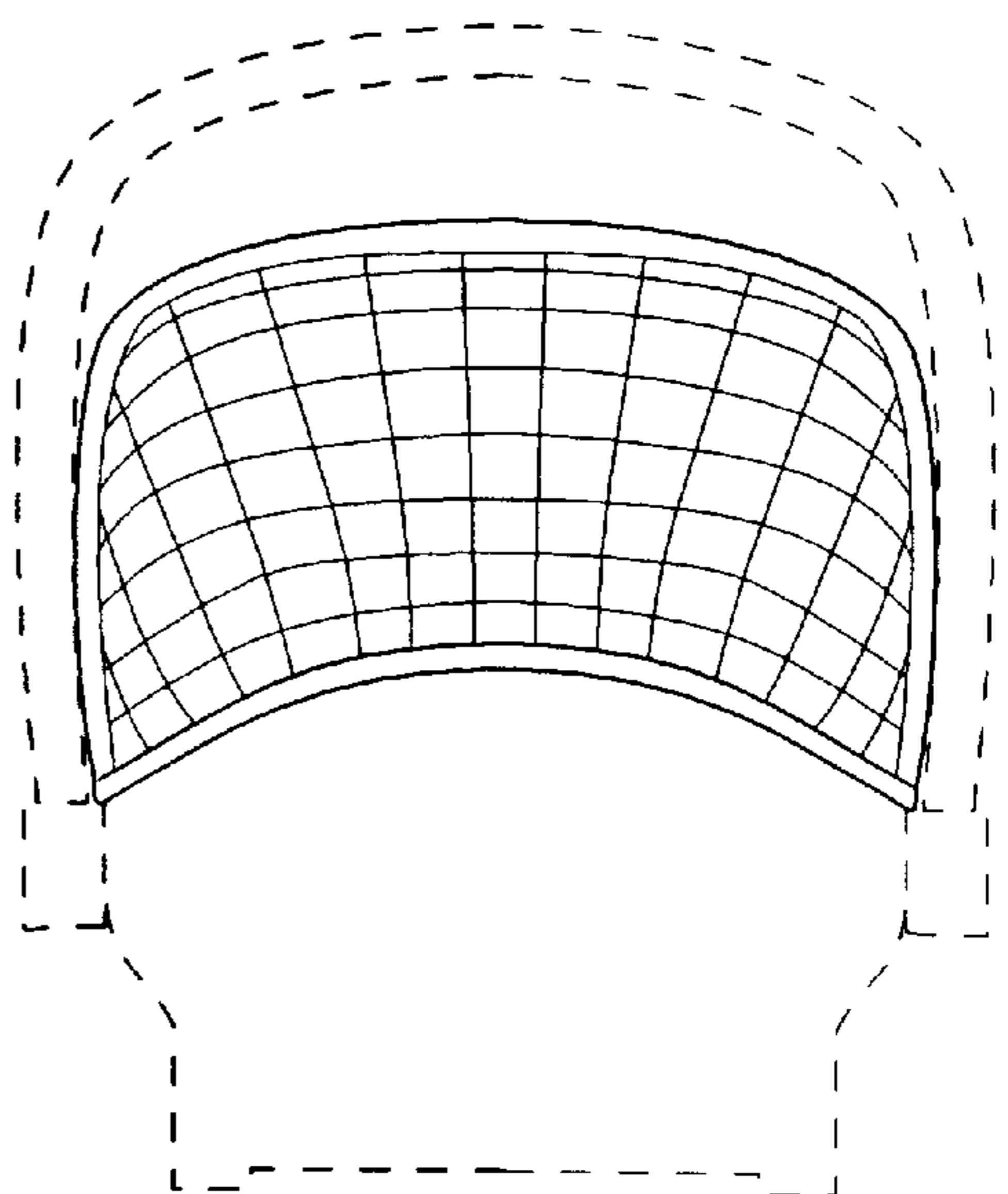


Fig. 5

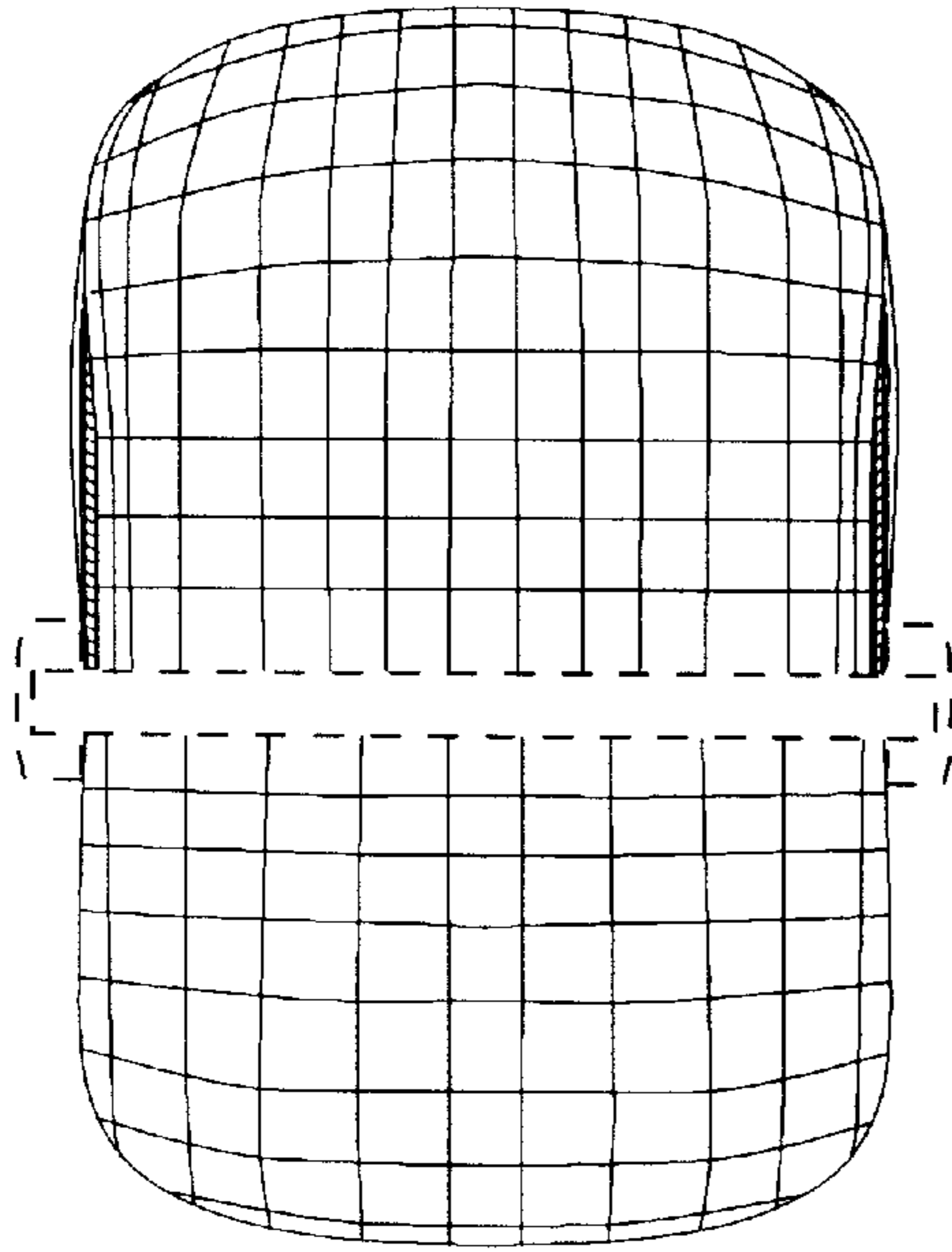


Fig. 6

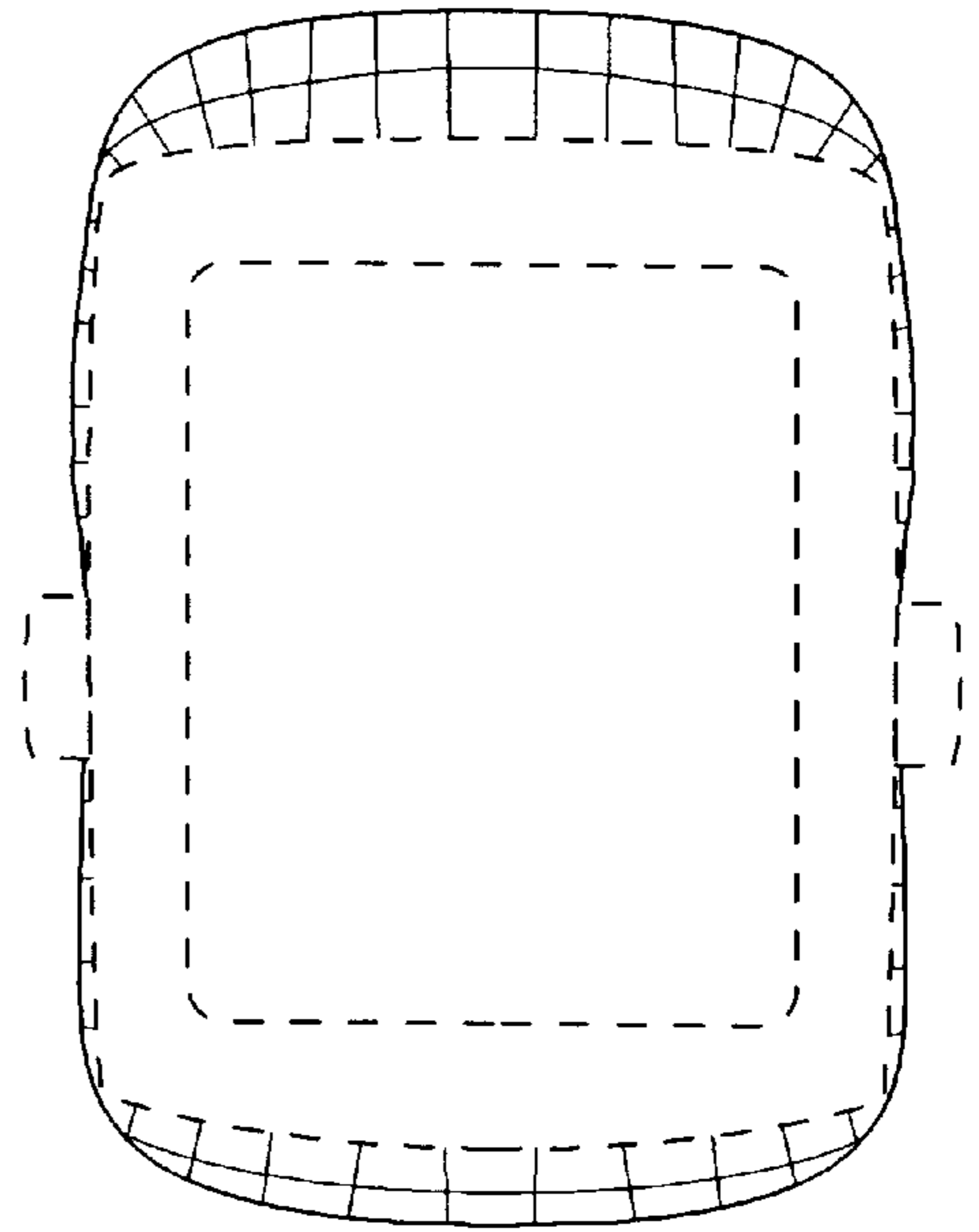


Fig. 7