



US00D433849S

United States Patent [19]

Walters, III et al.

[11] **Patent Number: Des. 433,849**

[45] **Date of Patent: ** Nov. 21, 2000**

[54] **TABLE**

D. 423,257 4/2000 Paus D6/495

[75] Inventors: **Guy A. Walters, III; Charles C. Cain,**
both of High Point, N.C.

[73] Assignee: **Thomasville Furniture Industries,**
Inc., Thomasville, N.C.

[**] Term: **14 Years**

[21] Appl. No.: **29/116,598**

[22] Filed: **Jan. 6, 2000**

[51] **LOC (7) Cl. 06-03**

[52] **U.S. Cl. D6/484**

[58] **Field of Search** D6/480-489, 495,
D6/429, 511; 108/153.1, 155, 156, 157.1,
161, 50.01, 50.02; 248/188, 188.1

[56] **References Cited**

U.S. PATENT DOCUMENTS

- D. 185,770 7/1959 Meer D6/495
- D. 240,186 6/1976 Rosen D6/484
- D. 371,260 7/1996 Walters, III et al. D6/480
- D. 399,375 10/1998 Blaay D6/484

OTHER PUBLICATIONS

Dining table, Stickley Mission Oak & Mission Cherry Supplement Catalog, L. & J. G. Stickley, Inc., p. 5.

Primary Examiner—Janice E. Seeger
Attorney, Agent, or Firm—Rhodes & Mason, P.L.L.C.

[57] **CLAIM**

The ornamental design for a table, as shown and described.

DESCRIPTION

FIG. 1 is a right perspective view of a table showing my new design;

FIG. 2 is a side elevational view, the opposite side being a mirror image thereof;

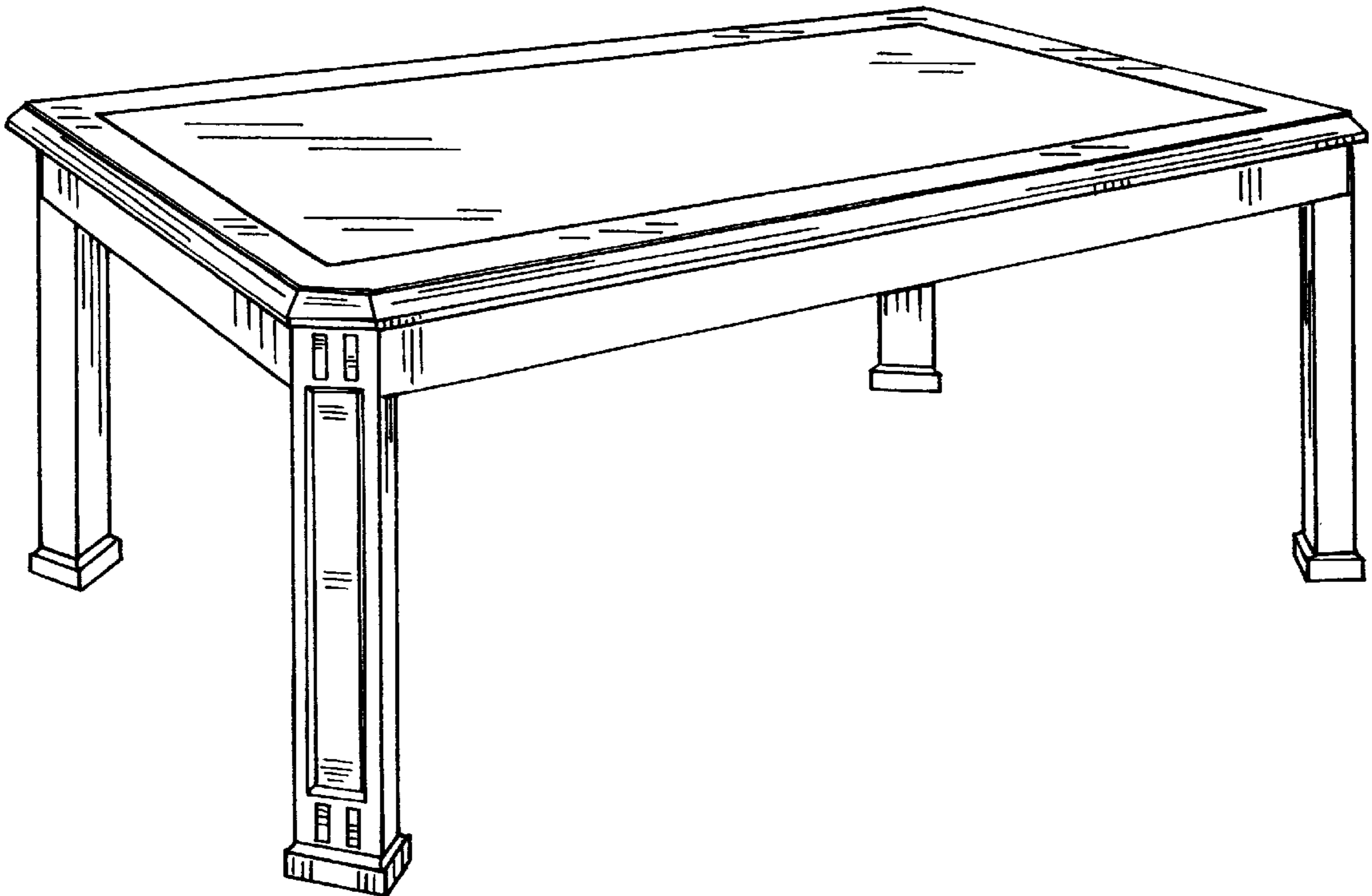
FIG. 3 is an end elevational view, the opposite side being a mirror image thereof;

FIG. 4 is a top plan view thereof; and,

FIG. 5 is an enlarged perspective view of the leg of my new design.

The bottom view of the table is not shown and forms no part of the claimed design.

1 Claim, 3 Drawing Sheets



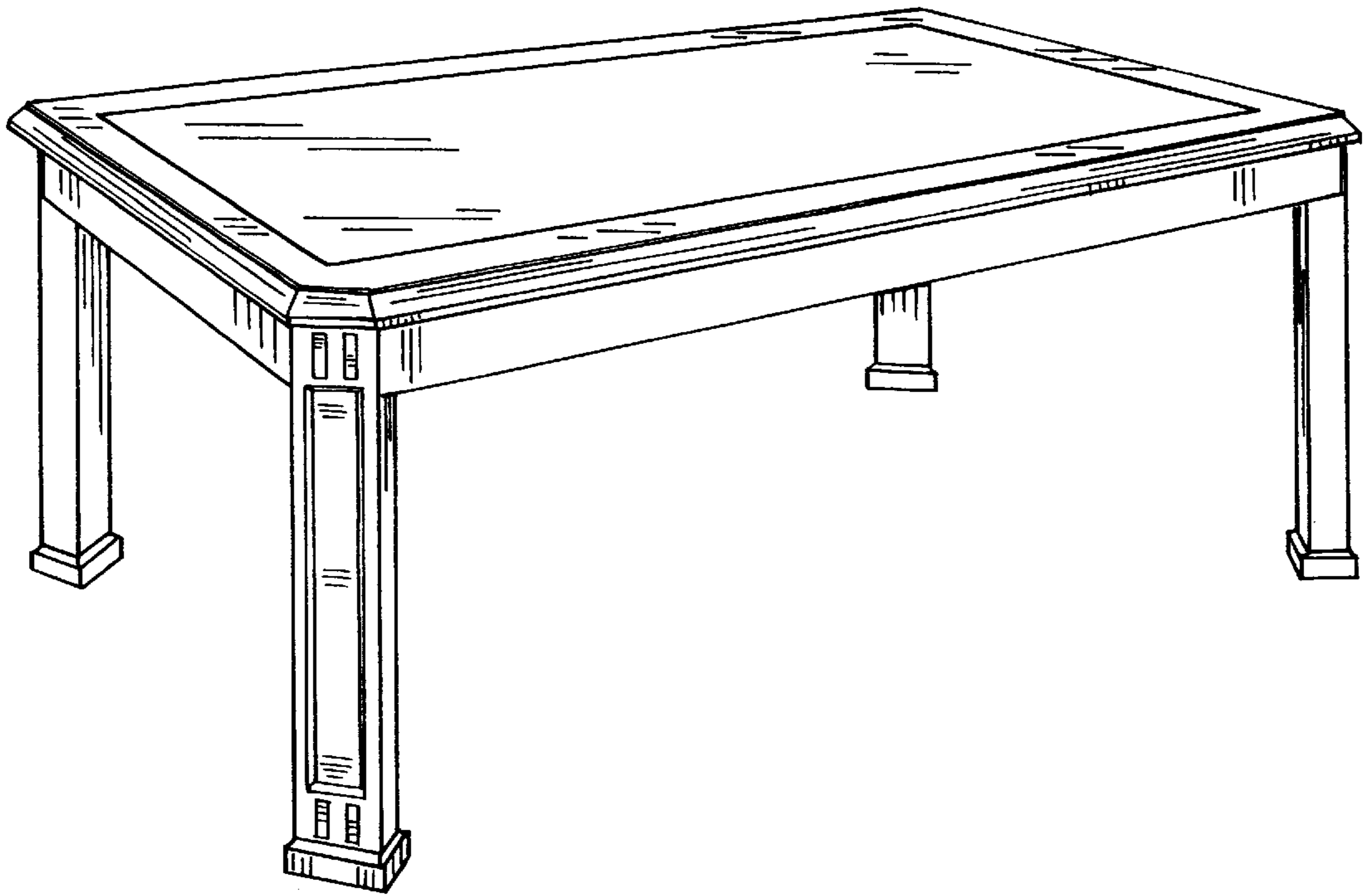
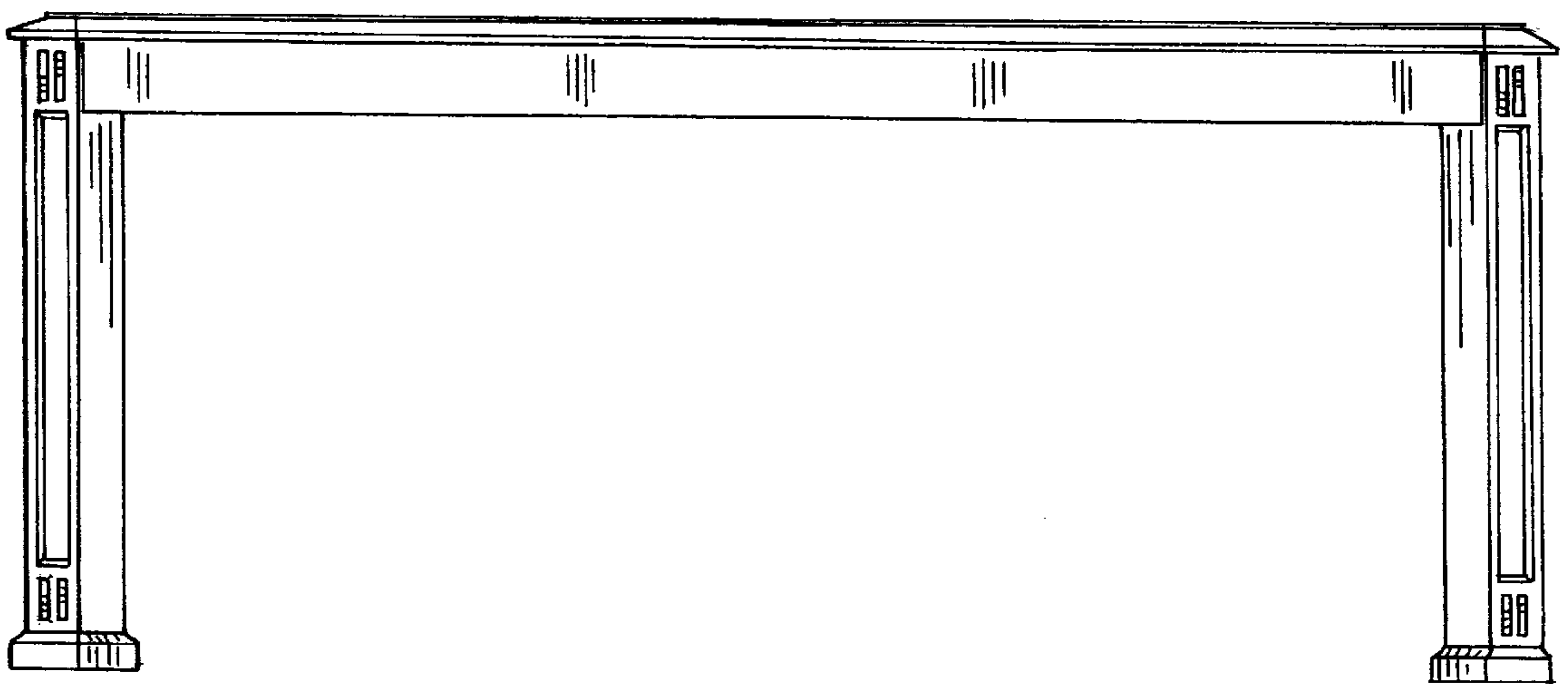


FIG. 1

FIG. 2



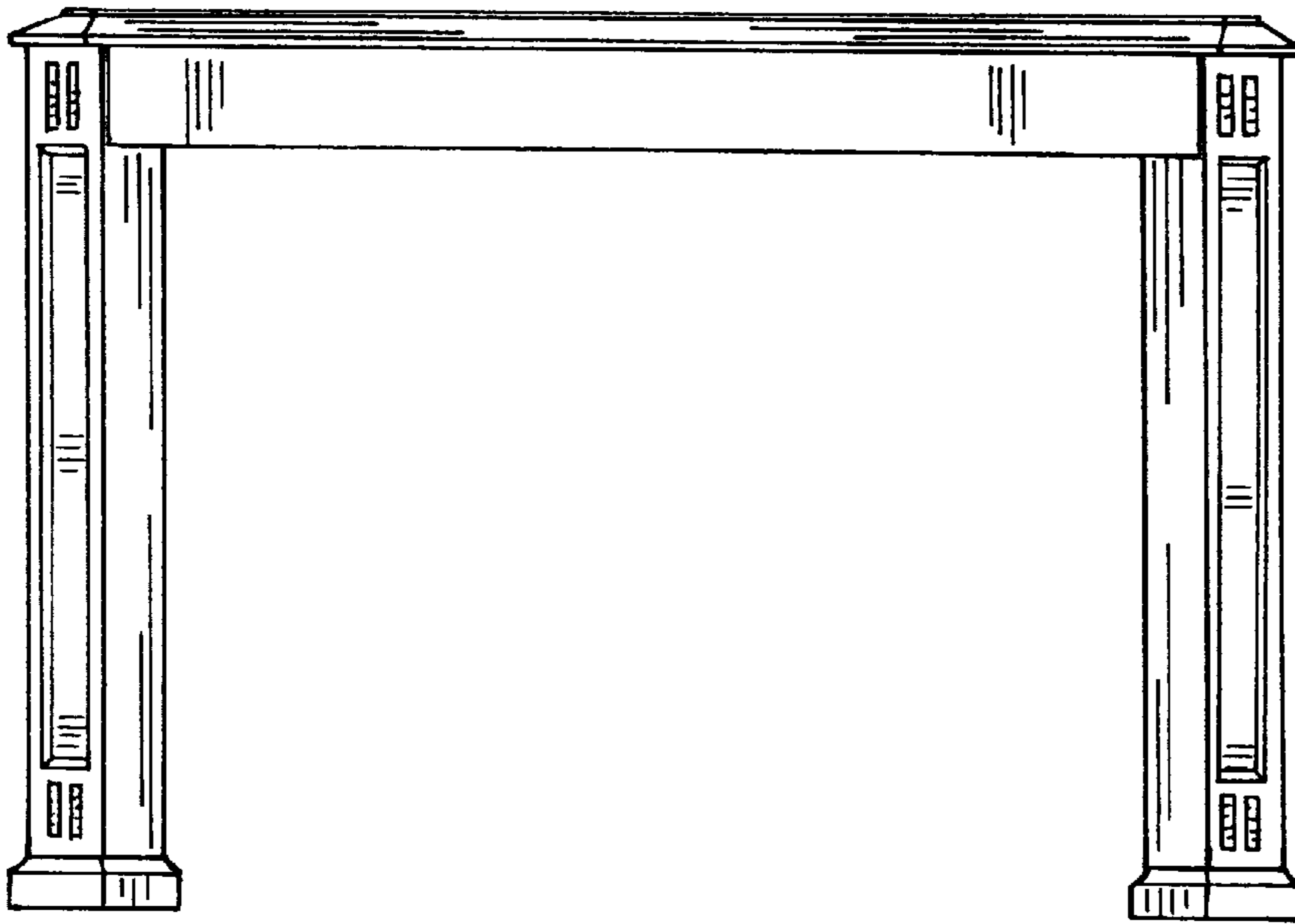
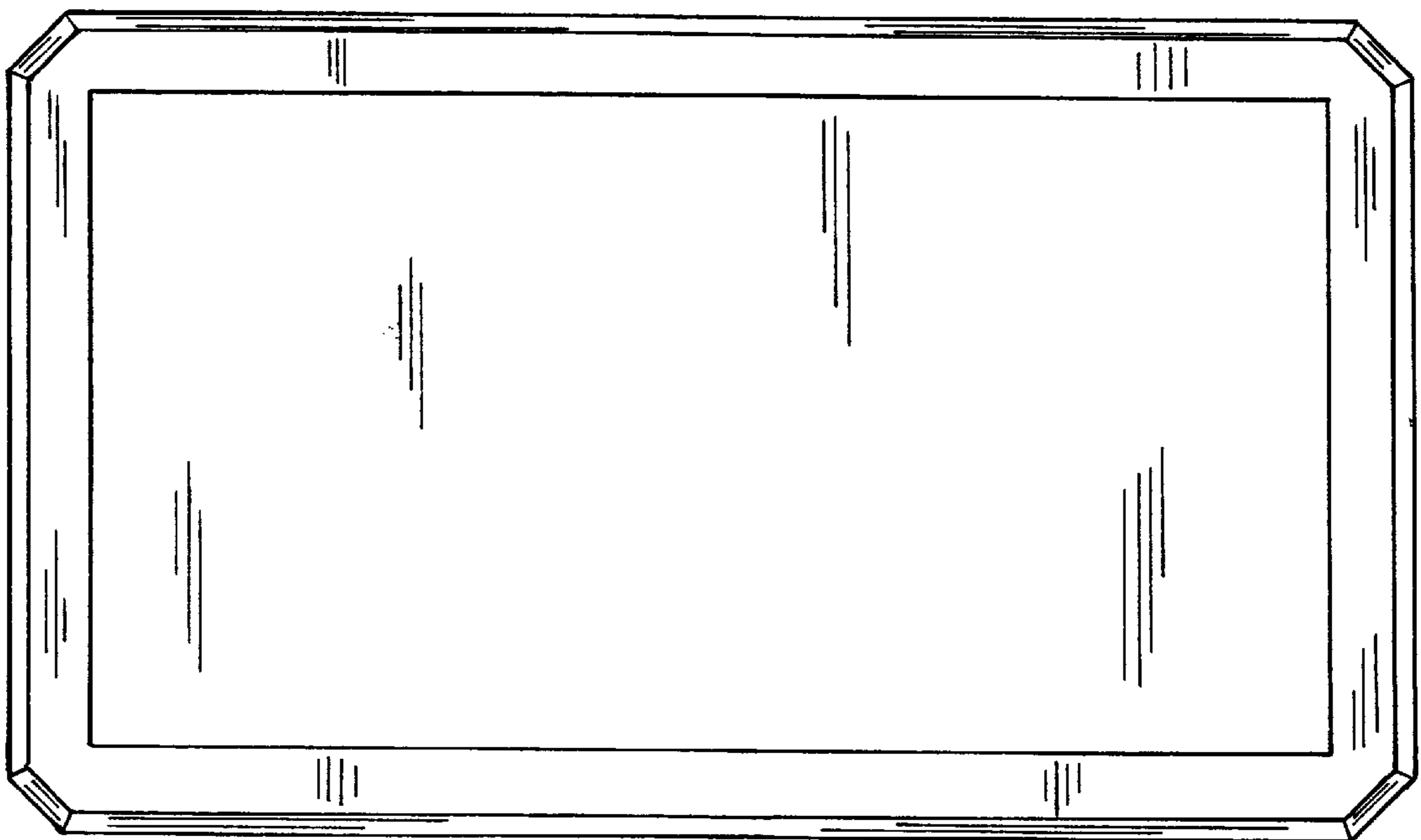


FIG. 3

FIG. 4



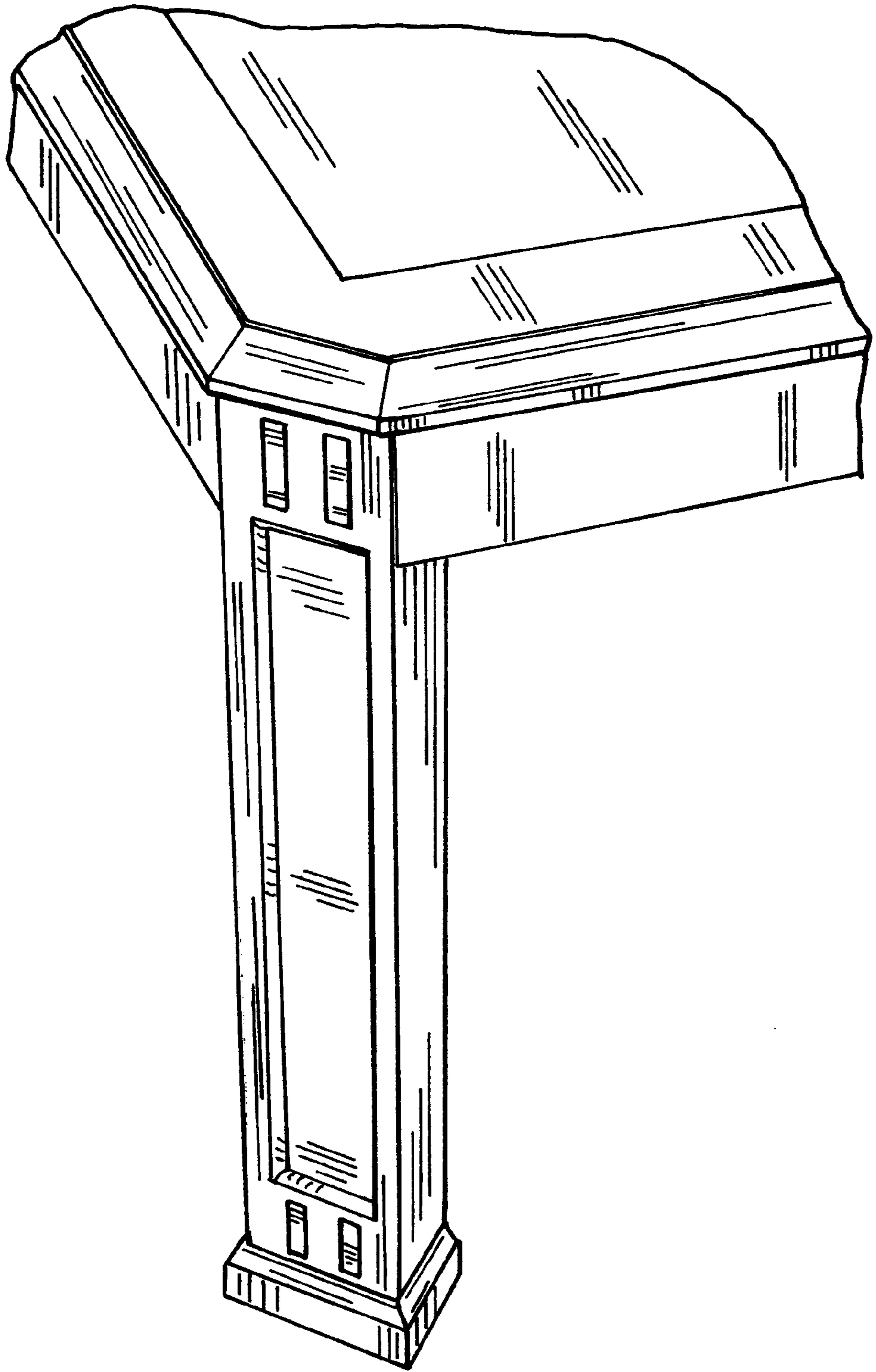


FIG. 5