



US00D433848S

# United States Patent [19]

Sorel et al.

[11] **Patent Number: Des. 433,848**

[45] **Date of Patent: \*\* Nov. 21, 2000**

[54] **TABLE**

3,380,778	4/1968	Barecki .....	297/162
5,765,911	6/1998	Sorenson .....	297/162

[75] Inventors: **Jess Allen Sorel**, Castro Valley;  
**Christopher Lyle Domina; David Eric Simon**, both of San Francisco, all of Calif.

### OTHER PUBLICATIONS

Busch, Jennifer Thiele, "Think Again", *Contract Design*, Nov., 1998, p. 22, color (2 sheets).

[73] Assignee: **Steelcase Inc.**, Grand Rapids, Mich.

*Primary Examiner*—Janice E. Seeger  
*Attorney, Agent, or Firm*—Foley & Lardner

[\*\*] Term: **14 Years**

### [57] CLAIM

[21] Appl. No.: **29/096,841**

The ornamental design for a table, as shown and described.

[22] Filed: **Nov. 20, 1998**

### DESCRIPTION

[51] **LOC (7) Cl.** ..... **06-03**

[52] **U.S. Cl.** ..... **D6/480**

[58] **Field of Search** ..... D6/480-489, 429,  
D6/511, 406.1, 406.2; 108/150, 144.11,  
147.18, 147.19, 157.11, 161, 49; 248/188,  
188.1, 188.8; 297/160, 162

FIG. 1 is a front perspective view of the table according to a preferred embodiment.

FIG. 2 is a bottom plan view of the table.

FIG. 3 is a left elevation of the table.

FIG. 4 is a right elevation of the table.

FIG. 5 is a front elevation of the table; and,

FIG. 6 is a rear elevation of the table.

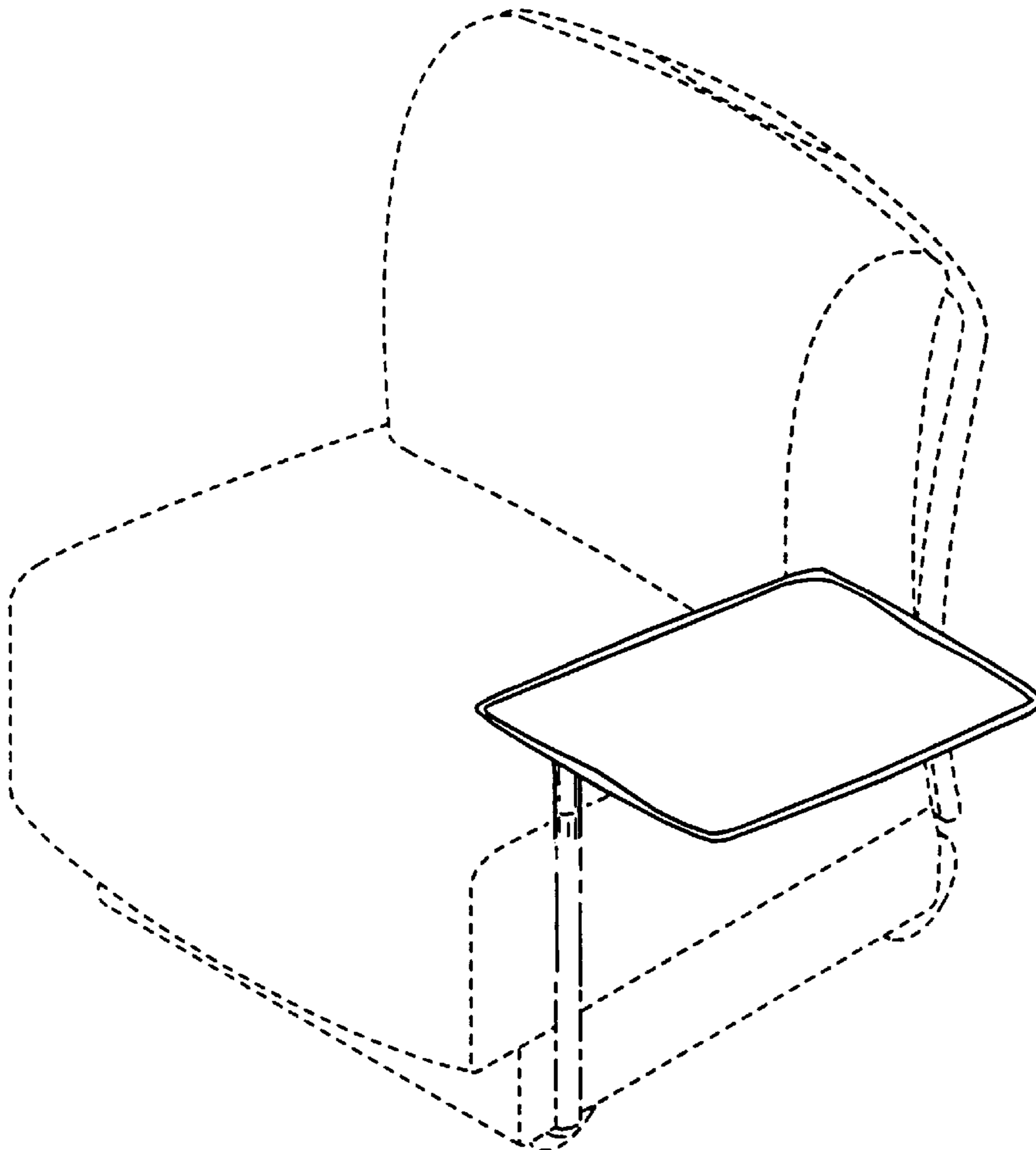
The broken line disclosure is for illustrative purposes only and forms no part of the claimed design.

### [56] References Cited

#### U.S. PATENT DOCUMENTS

D. 323,560	1/1992	Boyce et al. ....	D6/480
1,256,498	2/1918	Baker .....	108/49

**1 Claim, 6 Drawing Sheets**



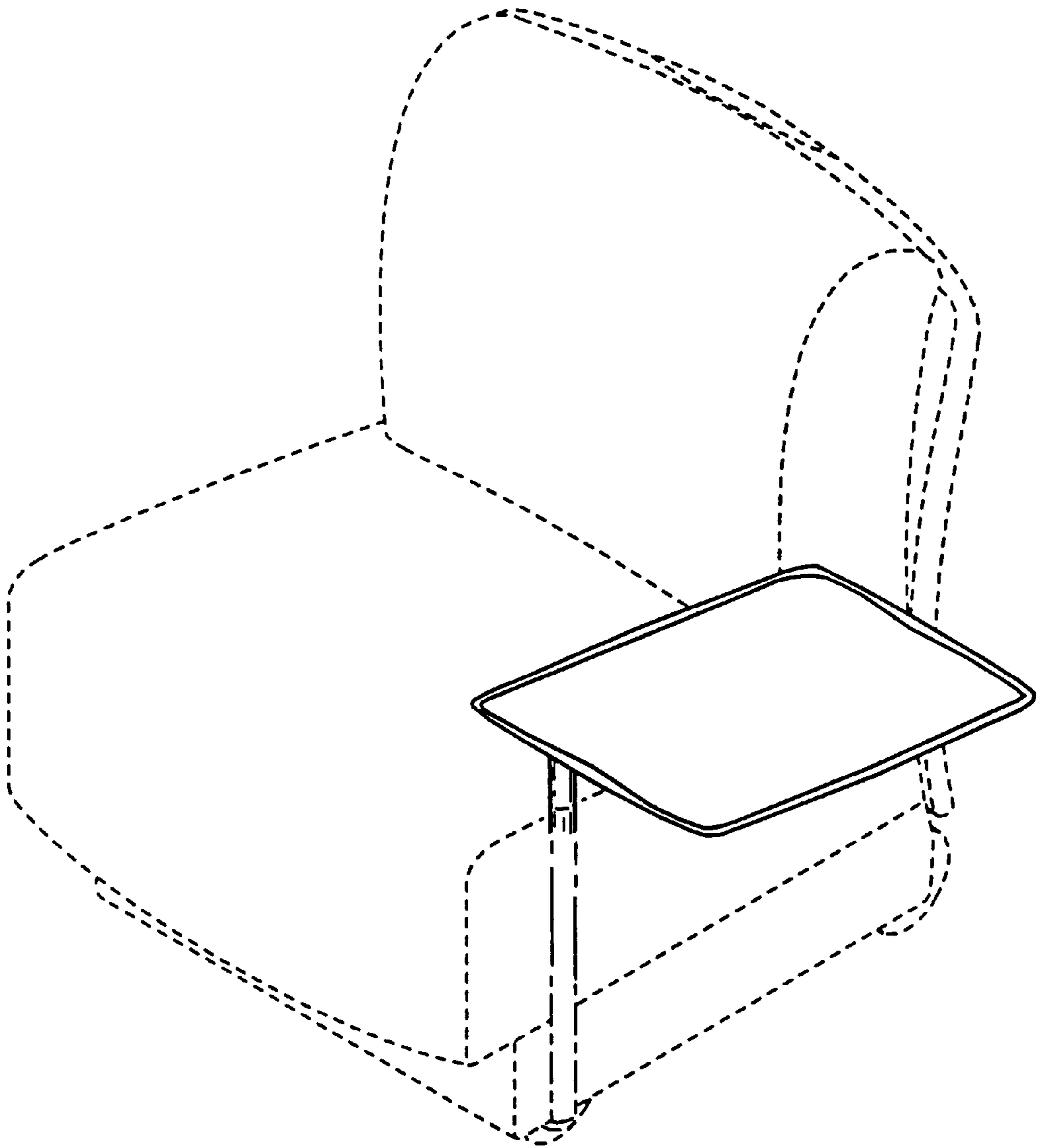


FIG. 1

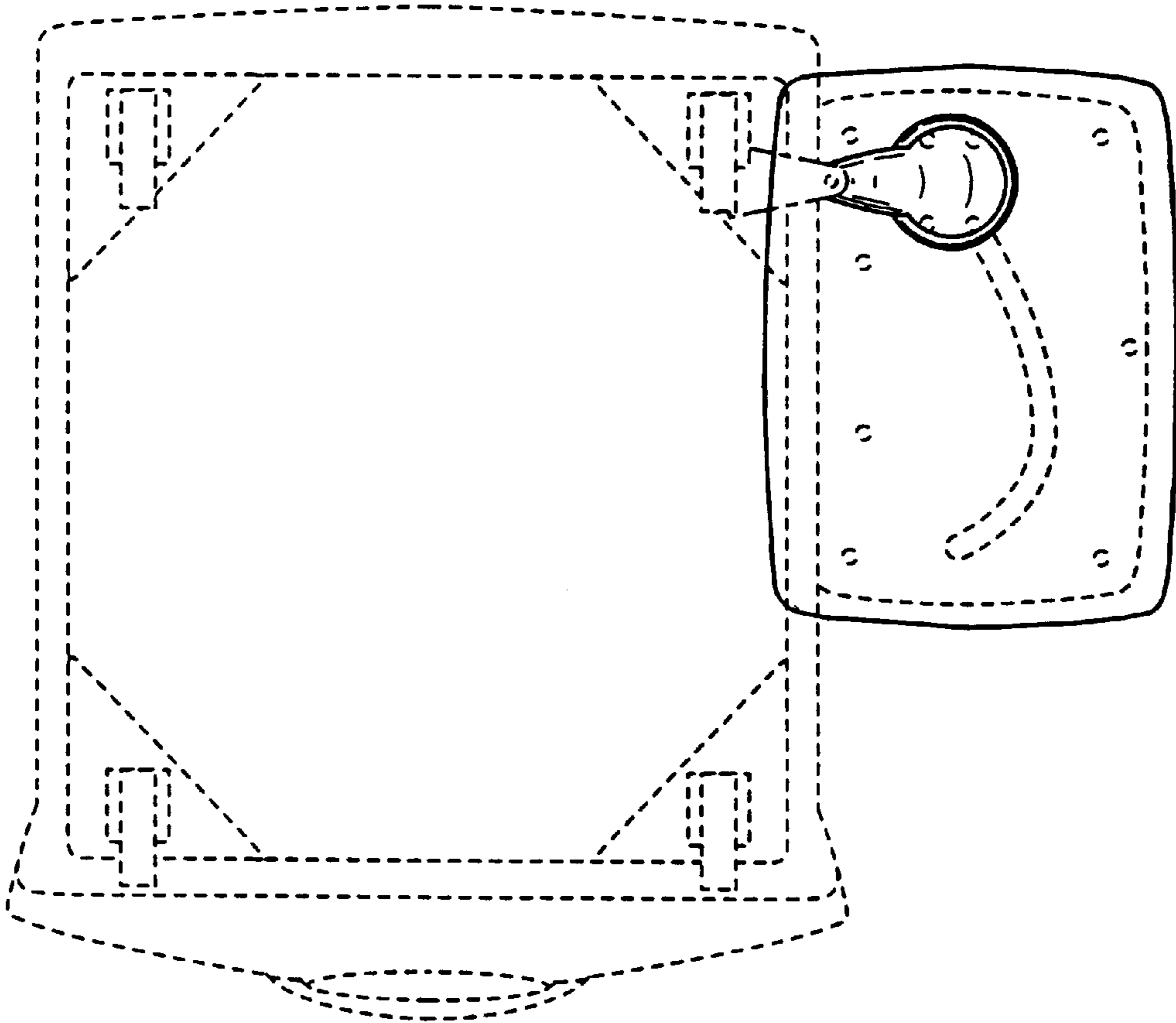


FIG. 2

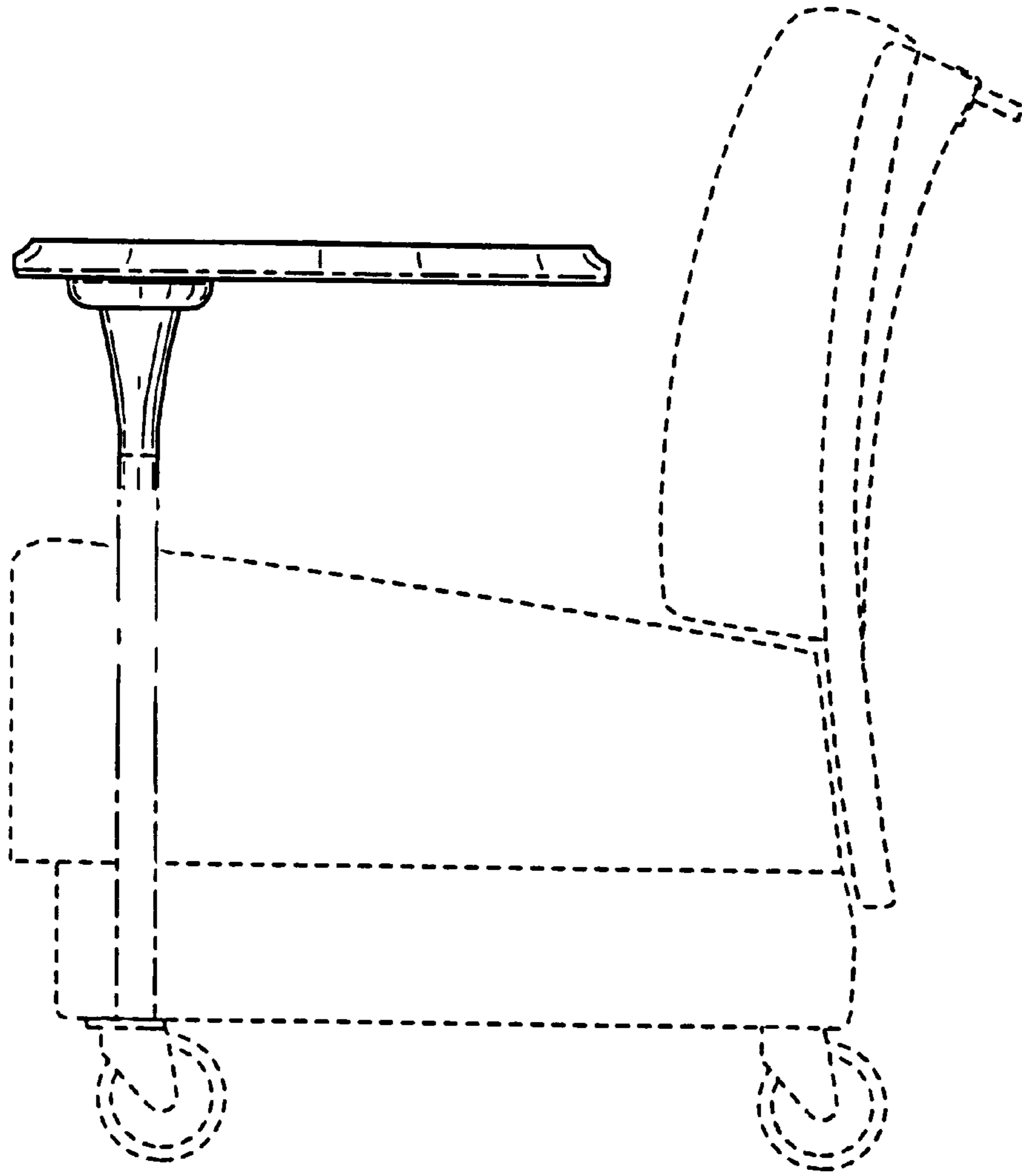


FIG. 3

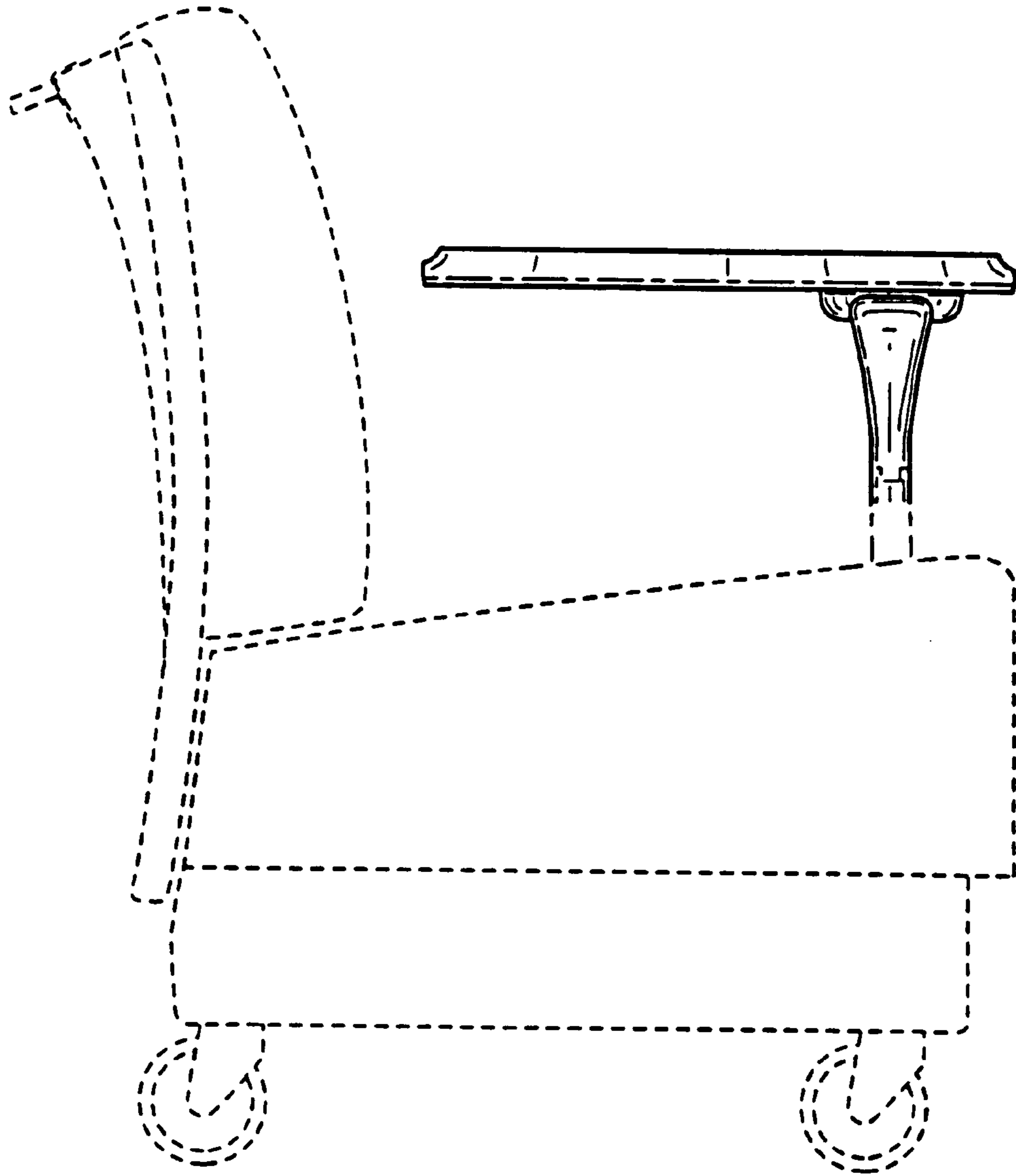


FIG. 4

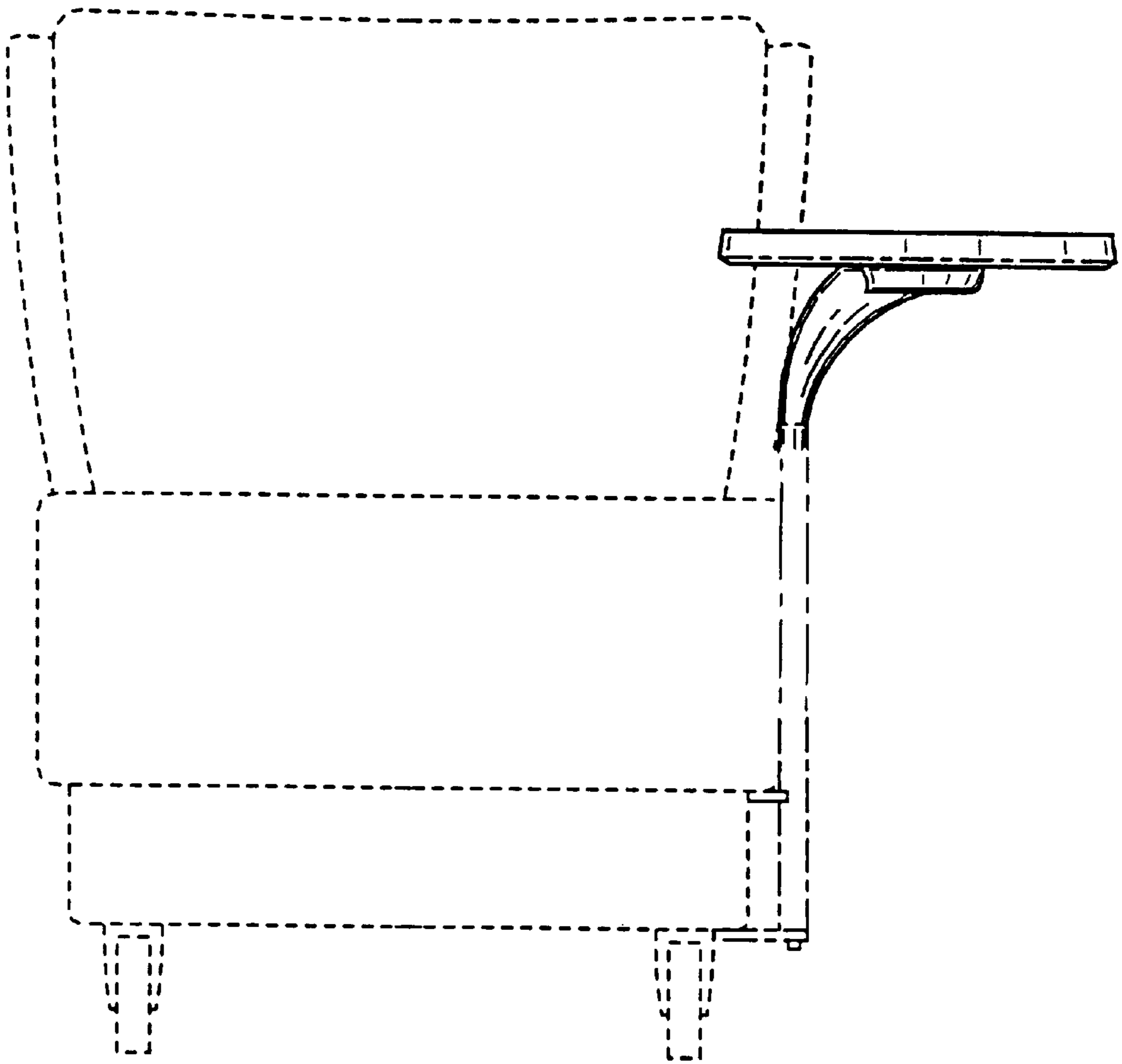


FIG. 5

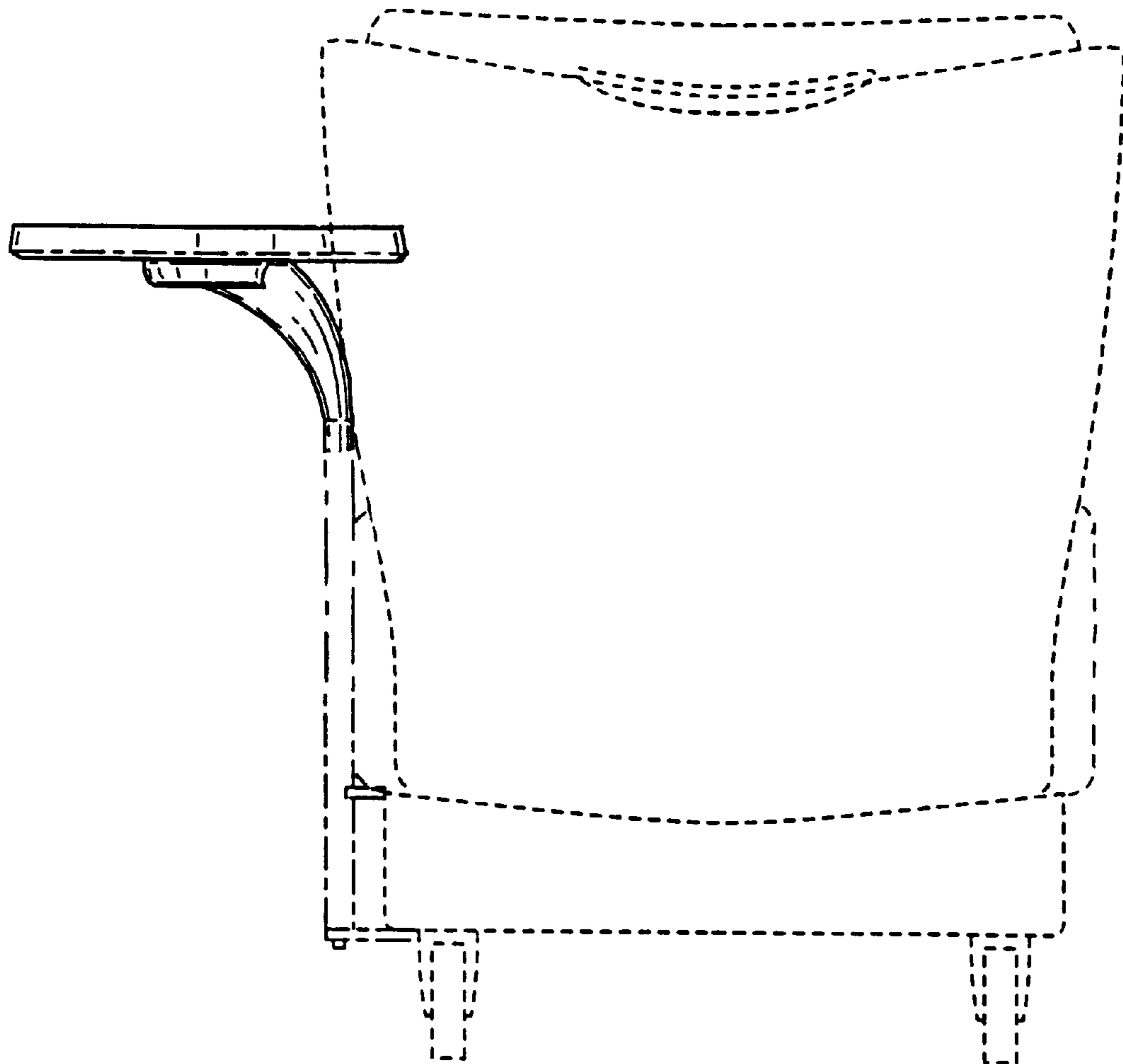


FIG. 6