



US00D433846S

United States Patent [19]
Chang

[11] **Patent Number: Des. 433,846**

[45] **Date of Patent: ** Nov. 21, 2000**

[54] **DISPLAY SHELVING**

FOREIGN PATENT DOCUMENTS

[76] Inventor: **Chien-Kuo Chang**, Fl. 10-2, No. 447,
Sec. 3, Wen-Hsin Rd., Taichung, Taiwan

M 9205055 4/1993 Germany .
M 9405041 12/1994 Germany .

[**] Term: **14 Years**

Primary Examiner—Cathron B. Matta
Attorney, Agent, or Firm—Rosenberg, Klein & Lee

[21] Appl. No.: **29/115,595**

[57] **CLAIM**

[22] Filed: **Dec. 20, 1999**

The ornamental design for display shelving, as shown and described.

[51] **LOC (7) Cl.** **06-04**

[52] **U.S. Cl.** **D6/474; D6/477**

[58] **Field of Search** D6/396, 449, 464,
D6/468, 474, 477; 108/59, 92, 93; 211/13.1,
128.1, 134

DESCRIPTION

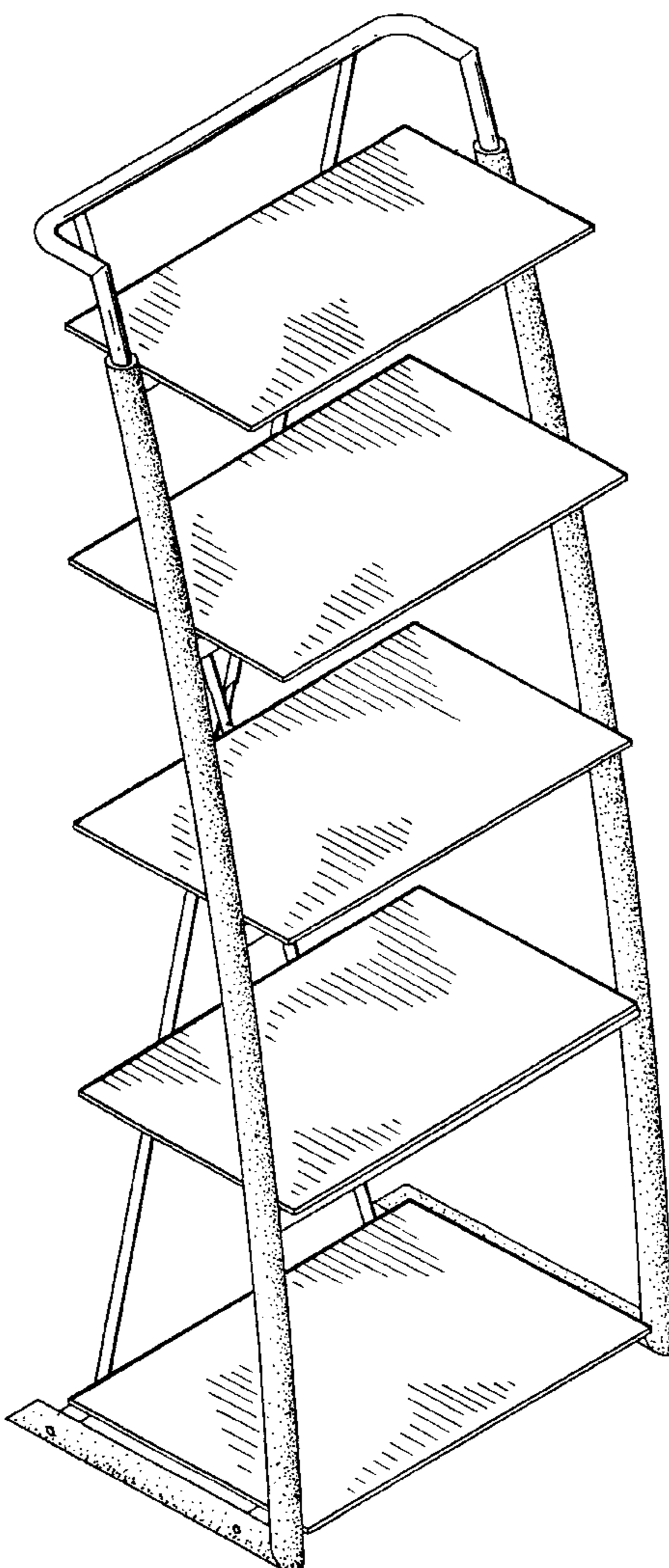
FIG. 1 is a perspective view of display shelving showing my new design;
FIG. 2 is a front elevational view thereof;
FIG. 3 is a rear elevational view thereof;
FIG. 4 is a left side elevational view thereof;
FIG. 5 is a right side elevational view thereof;
FIG. 6 is a top side elevational view thereof; and,
FIG. 7 is a bottom side elevational view thereof.

[56] **References Cited**

U.S. PATENT DOCUMENTS

- D. 200,562 3/1965 Gudez et al. D6/468
- D. 332,018 12/1992 De Pas et al. D6/464
- D. 360,779 8/1995 Allekotte et al. D6/449
- D. 364,763 12/1995 Sielaff D6/474 X
- D. 401,084 11/1998 Martin D6/474

1 Claim, 6 Drawing Sheets



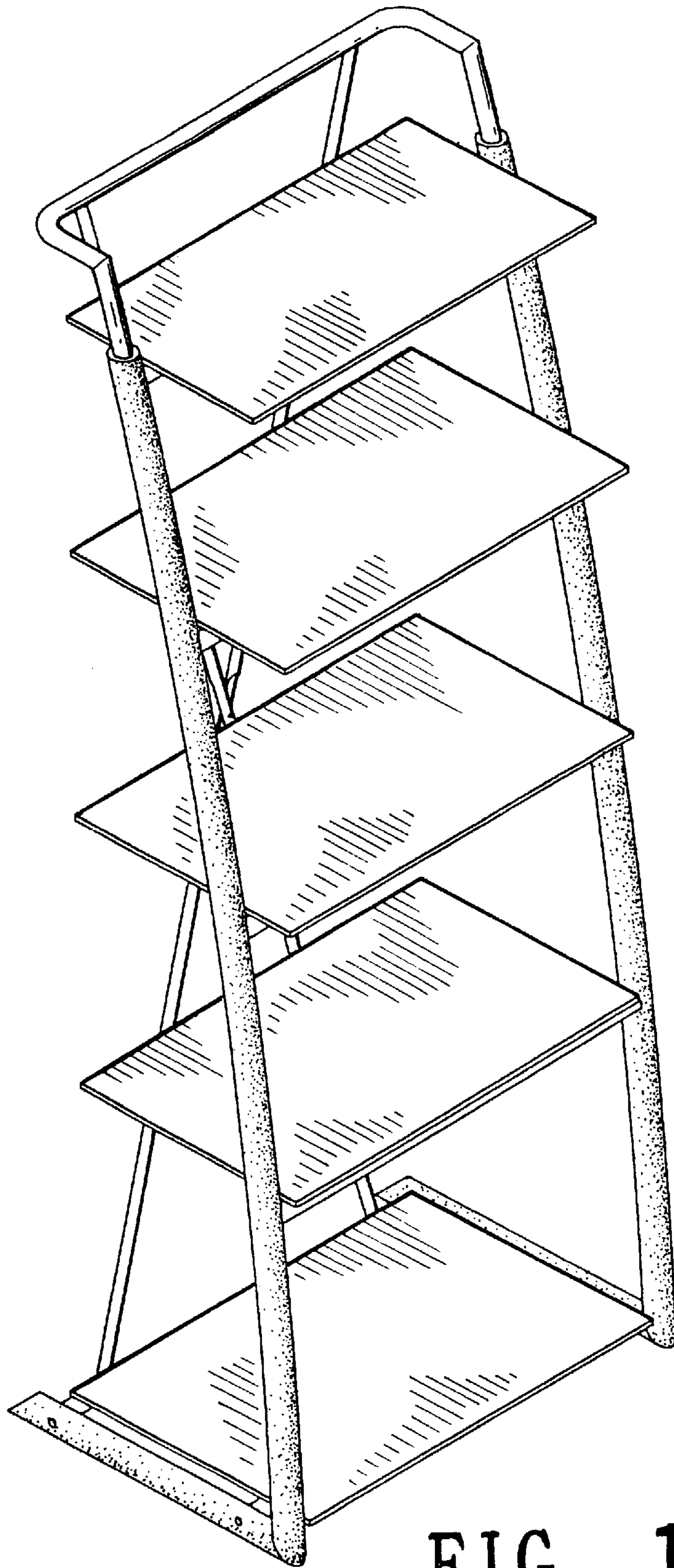


FIG. 1

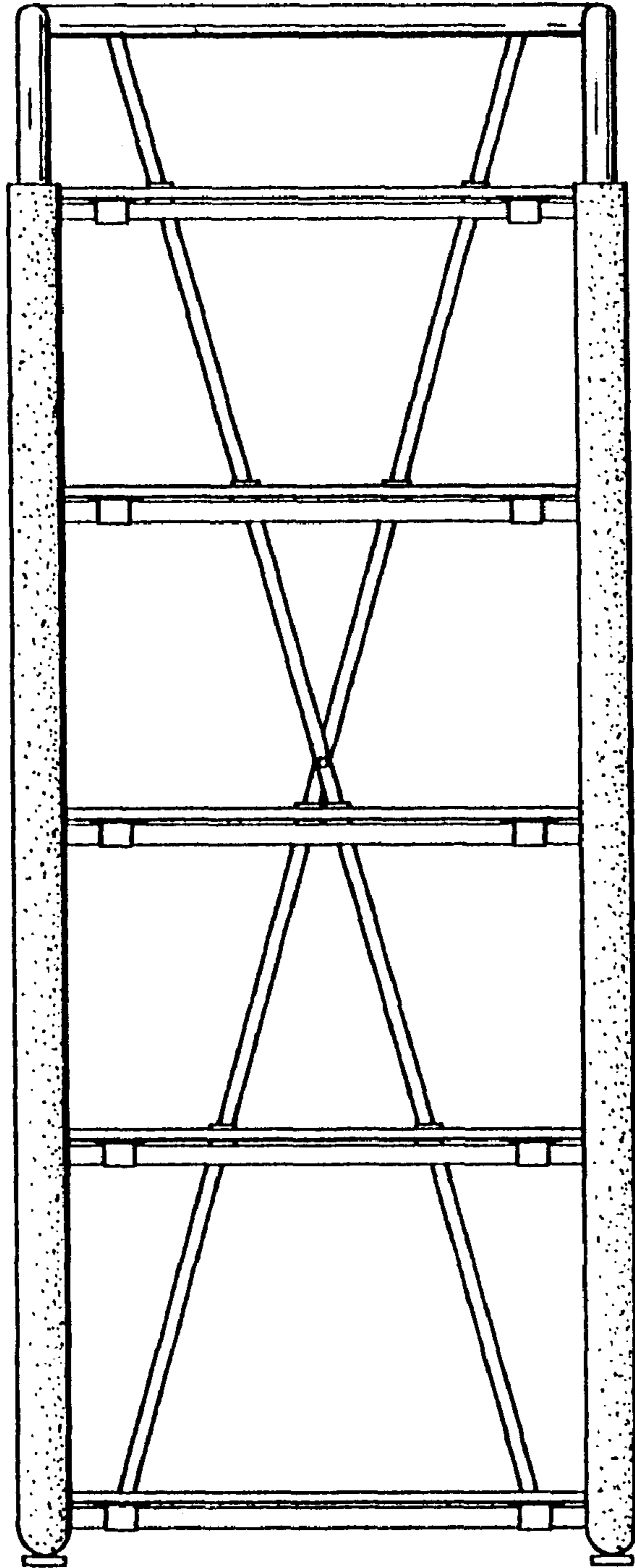


FIG. 2

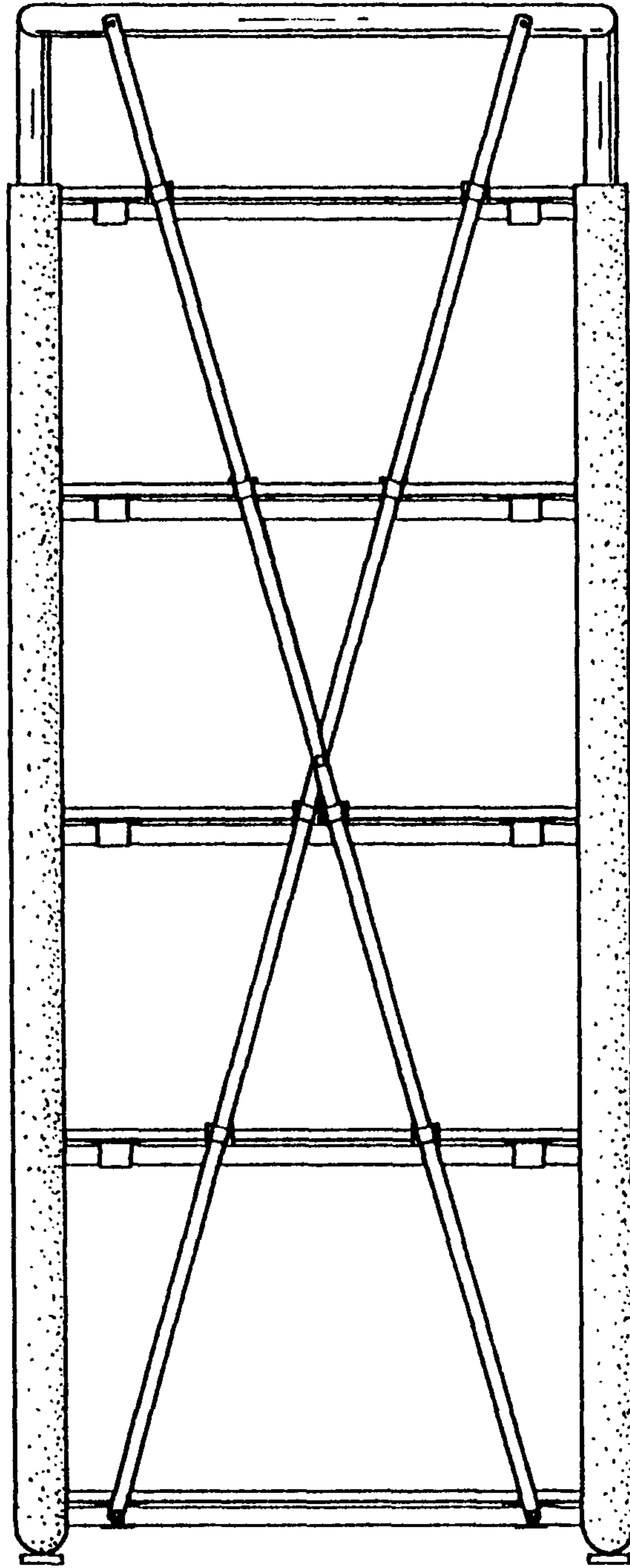


FIG. 3

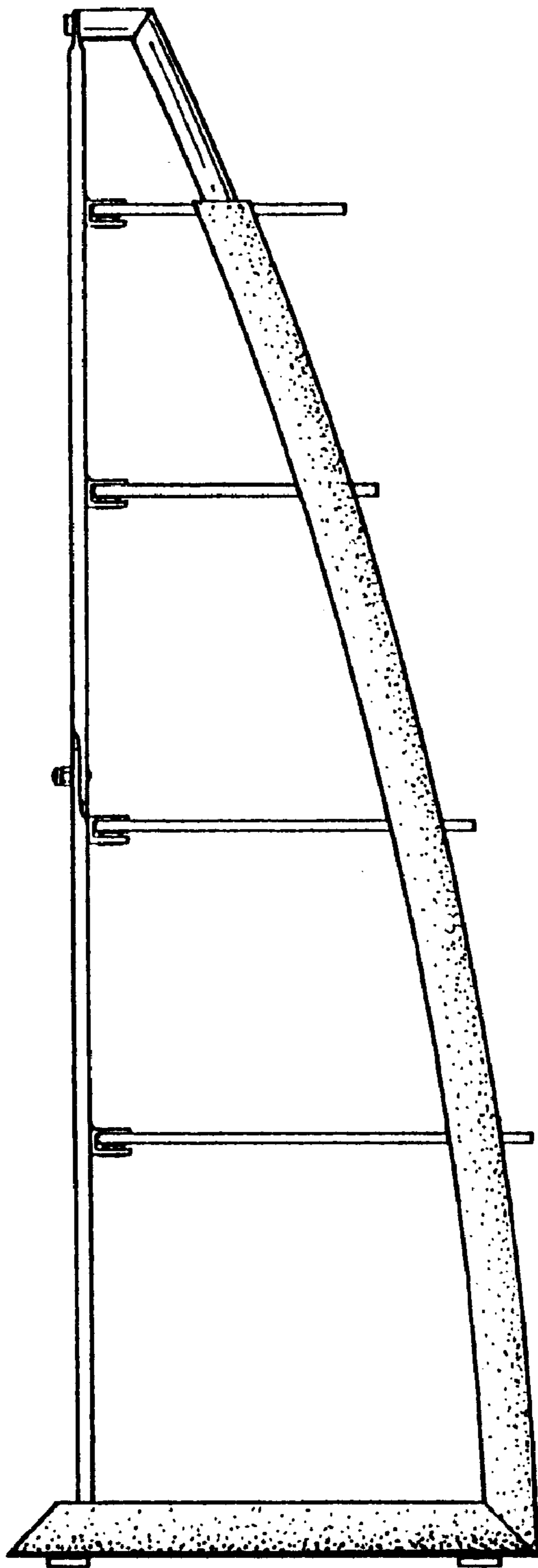


FIG. 4

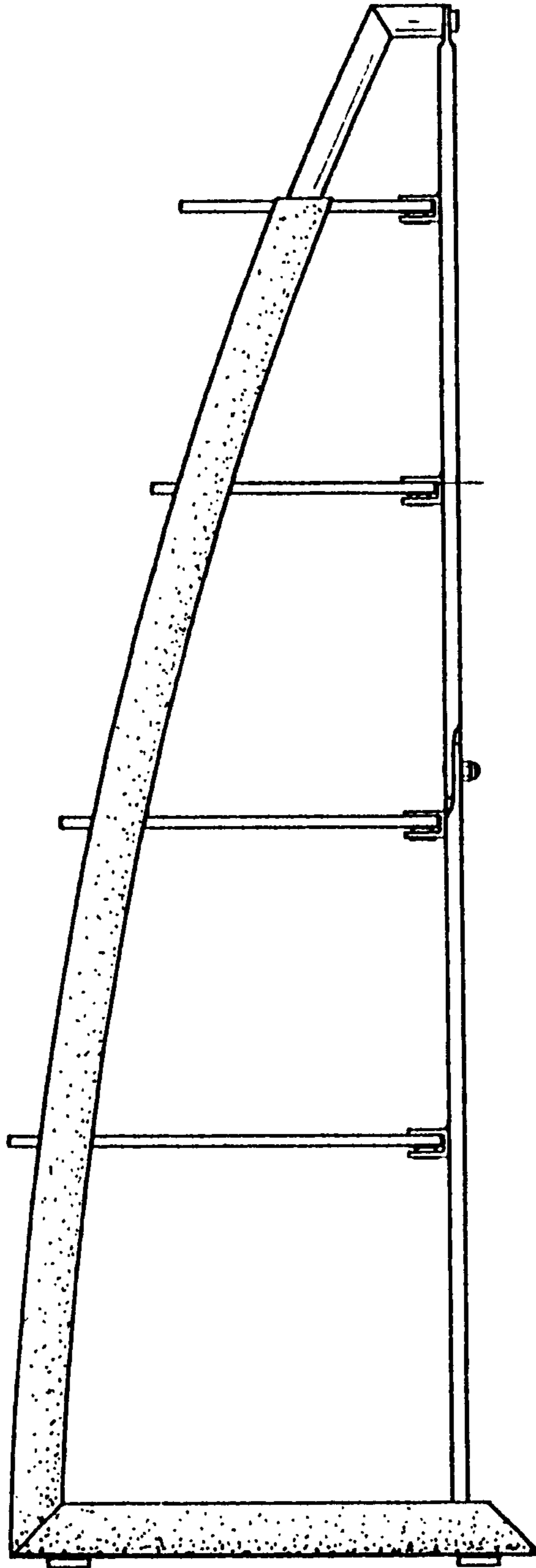


FIG. 5

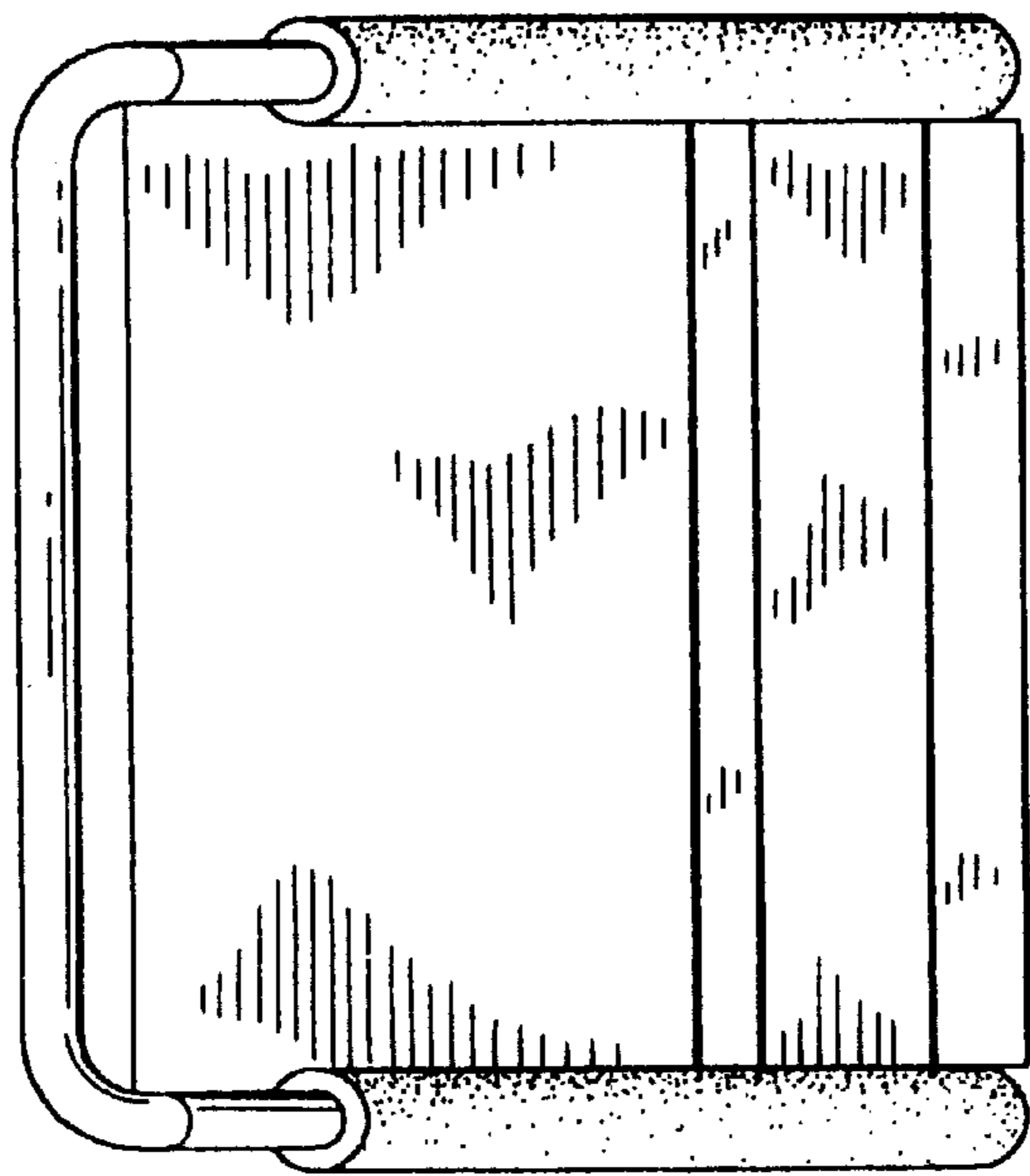


FIG. 6

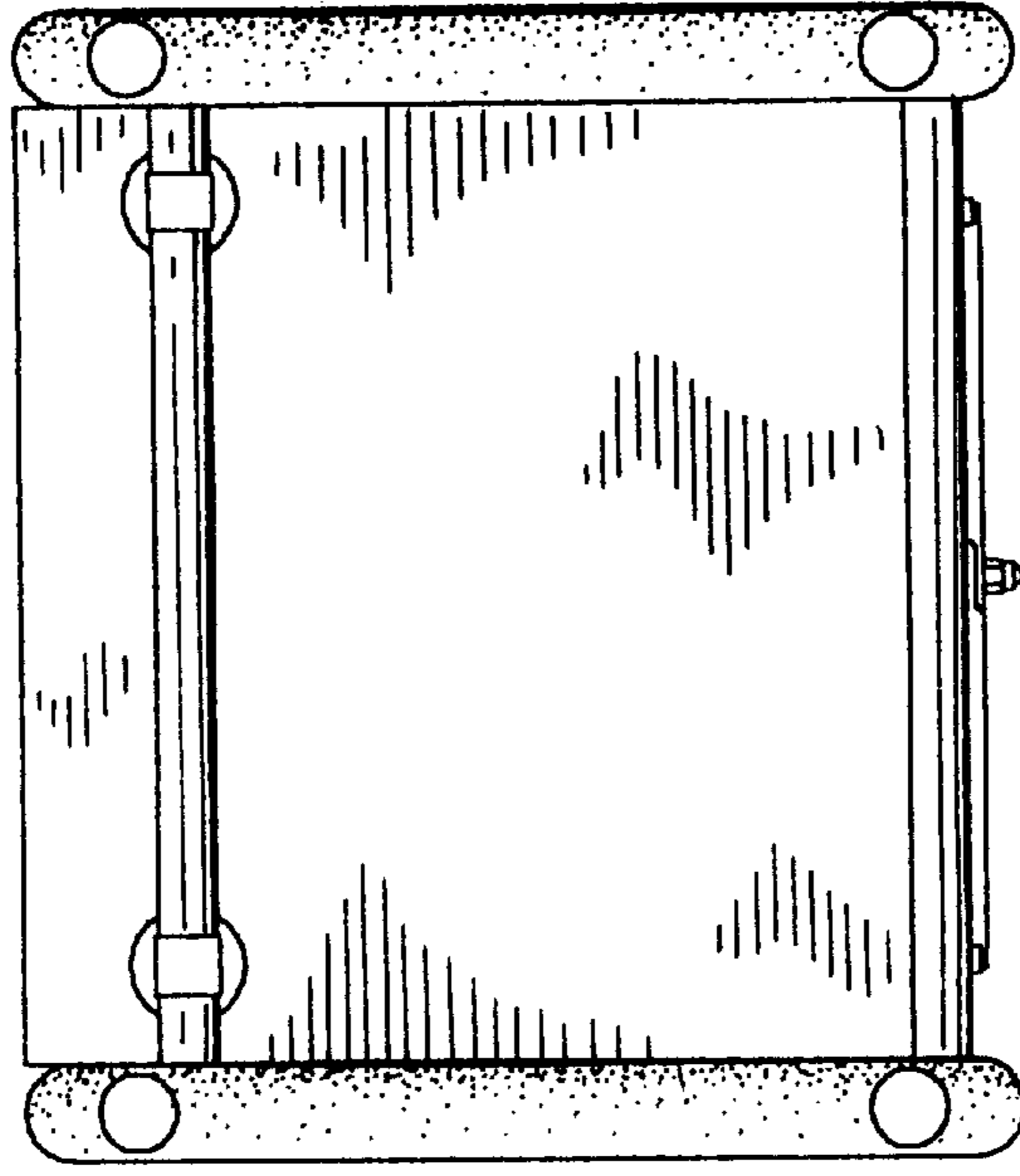


FIG. 7