



US00D433845S

# United States Patent [19]

Wilson et al.

[11] Patent Number: **Des. 433,845**

[45] Date of Patent: **\*\* Nov. 21, 2000**

[54] **CHEST**

D. 412,413 8/1999 Keller et al. .... D6/434 X

[75] Inventors: **Arthur Wilson; Peter Moon**, both of Altavista, Va.

### OTHER PUBLICATIONS

Thomasville, Rendezvous Mule Chest, p. 8, Sep. 1996.

[73] Assignee: **The Lane Company, Inc.**, Altavista, Va.

*Primary Examiner*—Cathron B. Matta  
*Attorney, Agent, or Firm*—Rhodes & Mason, PLLC

[\*\*] Term: **14 Years**

### [57] CLAIM

[21] Appl. No.: **29/102,279**

The ornamental design for a chest, as shown and described.

[22] Filed: **Mar. 22, 1999**

### DESCRIPTION

[51] **LOC (7) Cl.** ..... **06-04**

[52] **U.S. Cl.** ..... **D6/446; D6/445**

[58] **Field of Search** ..... D6/432-448; 312/204, 312/278, 279

FIG. 1 is a perspective view of a chest in accordance with the preferred embodiment of this invention;

FIG. 2 is a side elevational view of the chest of FIG. 1; the other side being a mirror image; and,

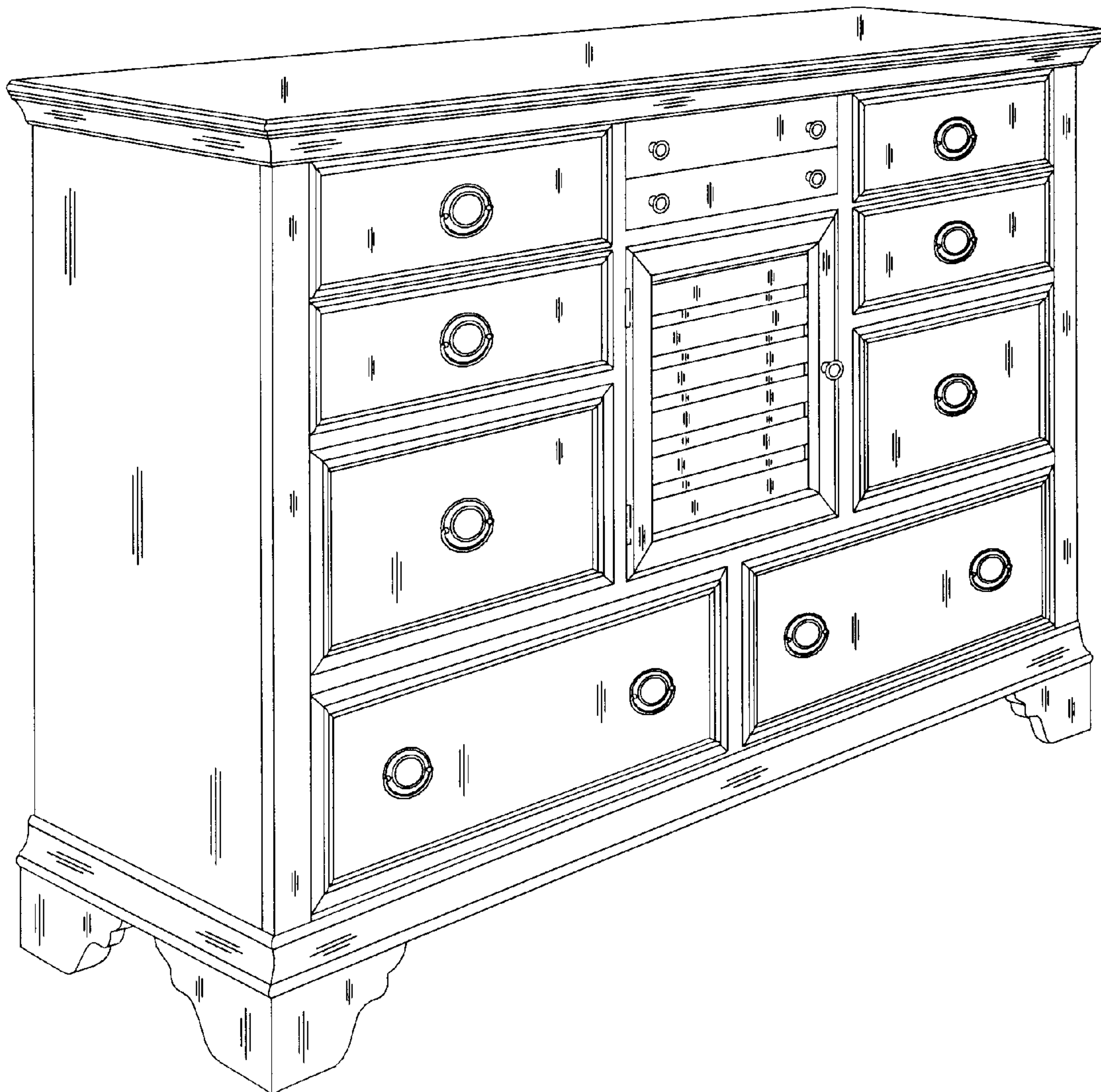
FIG. 3 is a front elevational view of the chest of FIG. 1.

### [56] References Cited

#### U.S. PATENT DOCUMENTS

D. 374,783 10/1996 Keller et al. .... D6/434 X

**1 Claim, 3 Drawing Sheets**



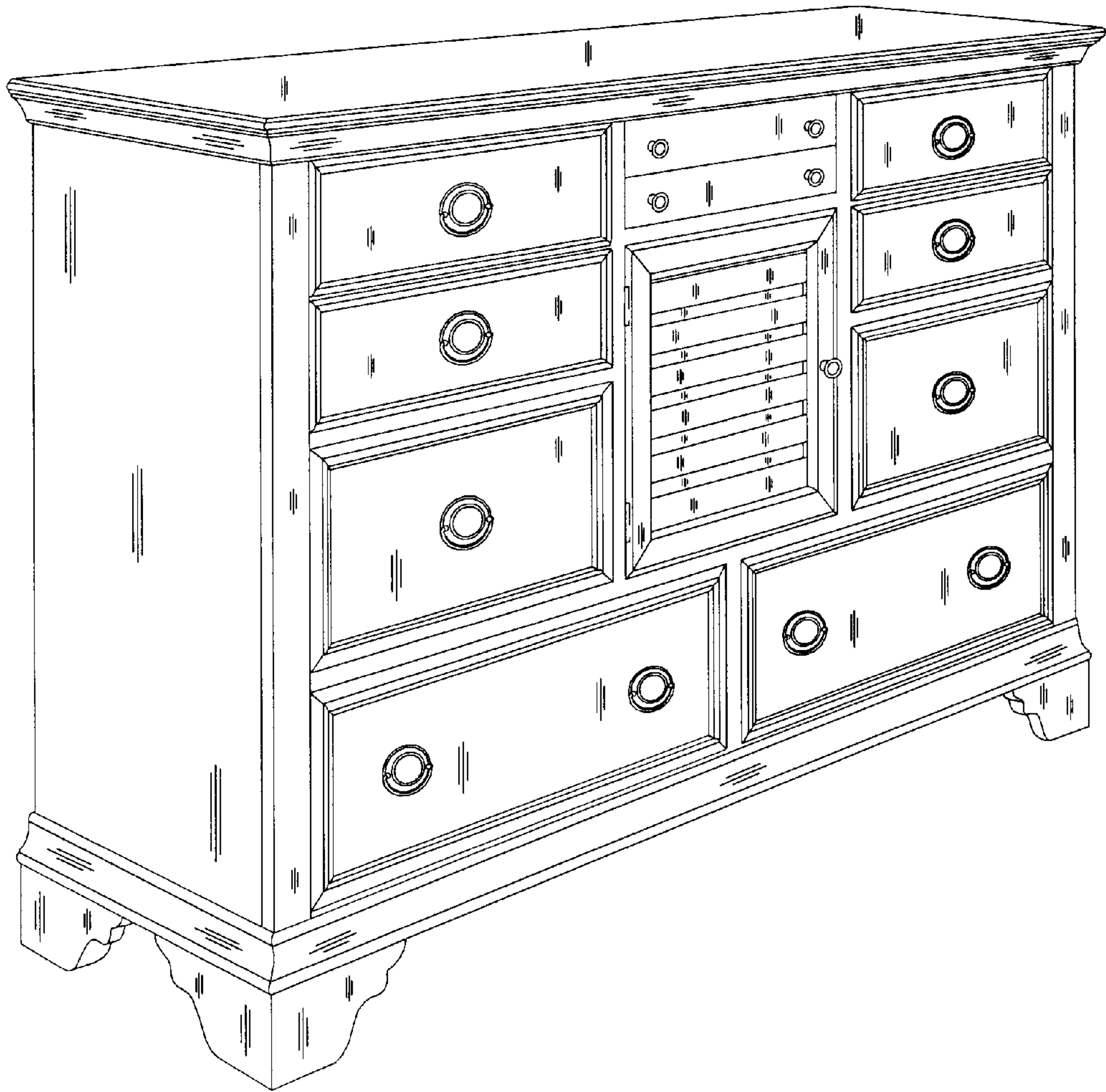
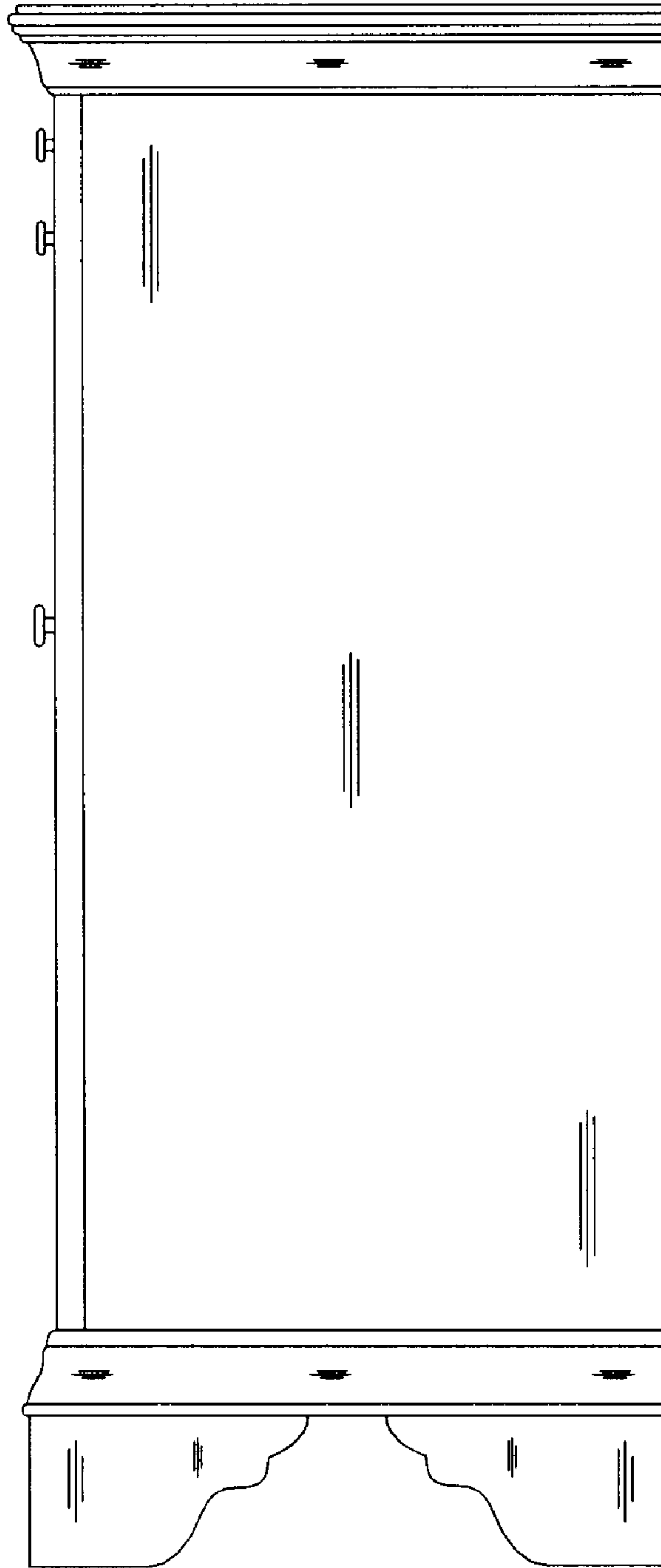


FIG. 1



**FIG. 2**

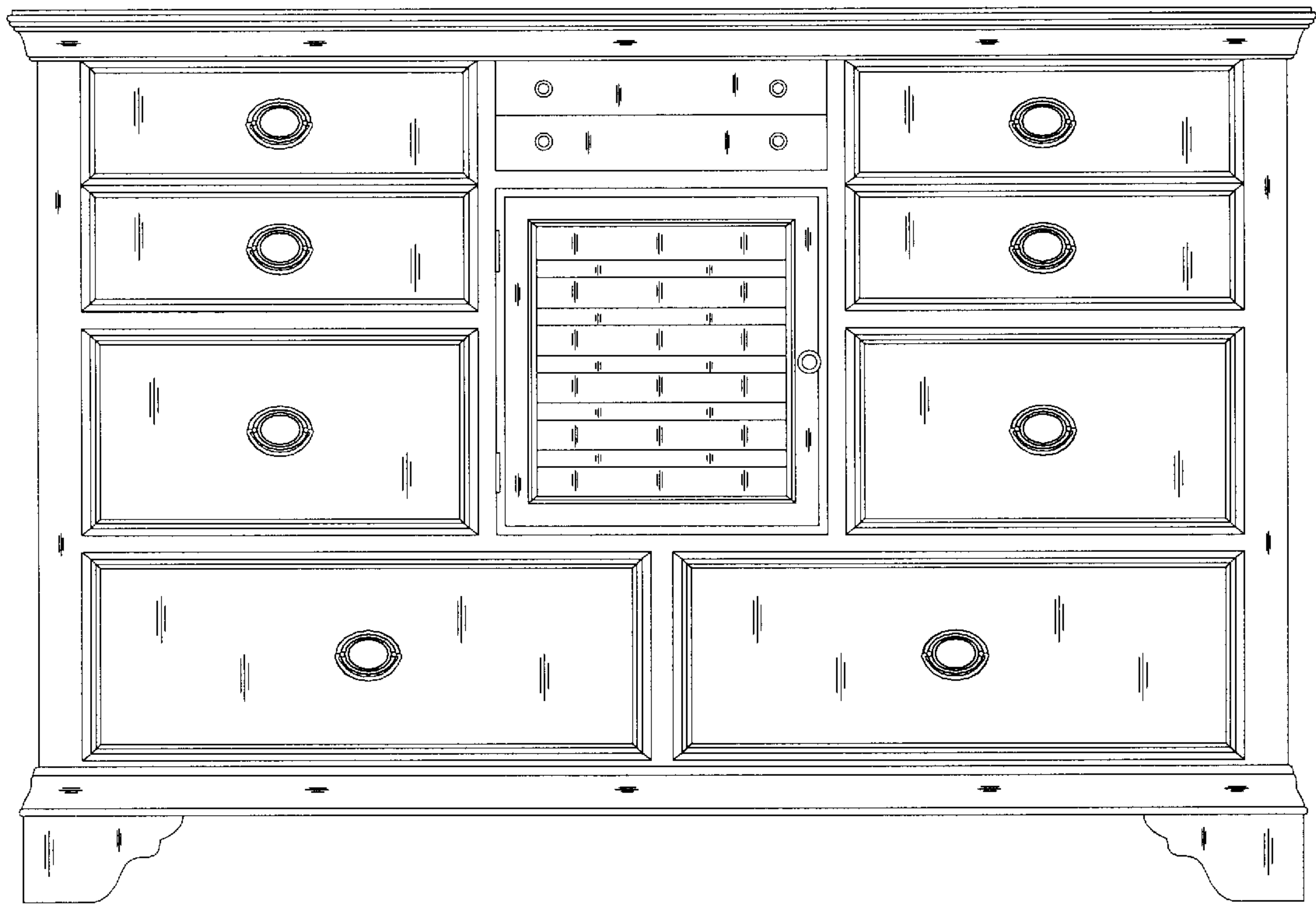


FIG. 3