



US00D433842S

United States Patent [19] Hawang

[11] **Patent Number: Des. 433,842**

[45] **Date of Patent: ** Nov. 21, 2000**

[54] **CABINET**

[75] Inventor: **James Hawang**, Taipei, Taiwan

[73] Assignee: **Kenmark Industrial Co., Ltd.**, Taipei, Taiwan

[**] Term: **14 Years**

[21] Appl. No.: **29/108,199**

[22] Filed: **Jul. 23, 1999**

[51] **LOC (7) Cl.** **06-04**

[52] **U.S. Cl.** **D6/445**

[58] **Field of Search** D6/432-448; D3/272, D3/273, 294, 903; D14/302, 308; 206/499; 312/183, 193

[56] **References Cited**

U.S. PATENT DOCUMENTS

D. 352,859	11/1994	Kirchner et al.	D6/632 X
D. 398,472	9/1998	Worrell et al.	D6/432 X
D. 410,230	5/1999	Witte	D6/432 X

Primary Examiner—Cathron B. Matta
Attorney, Agent, or Firm—Bacon & Thomas, PLLC

[57] **CLAIM**

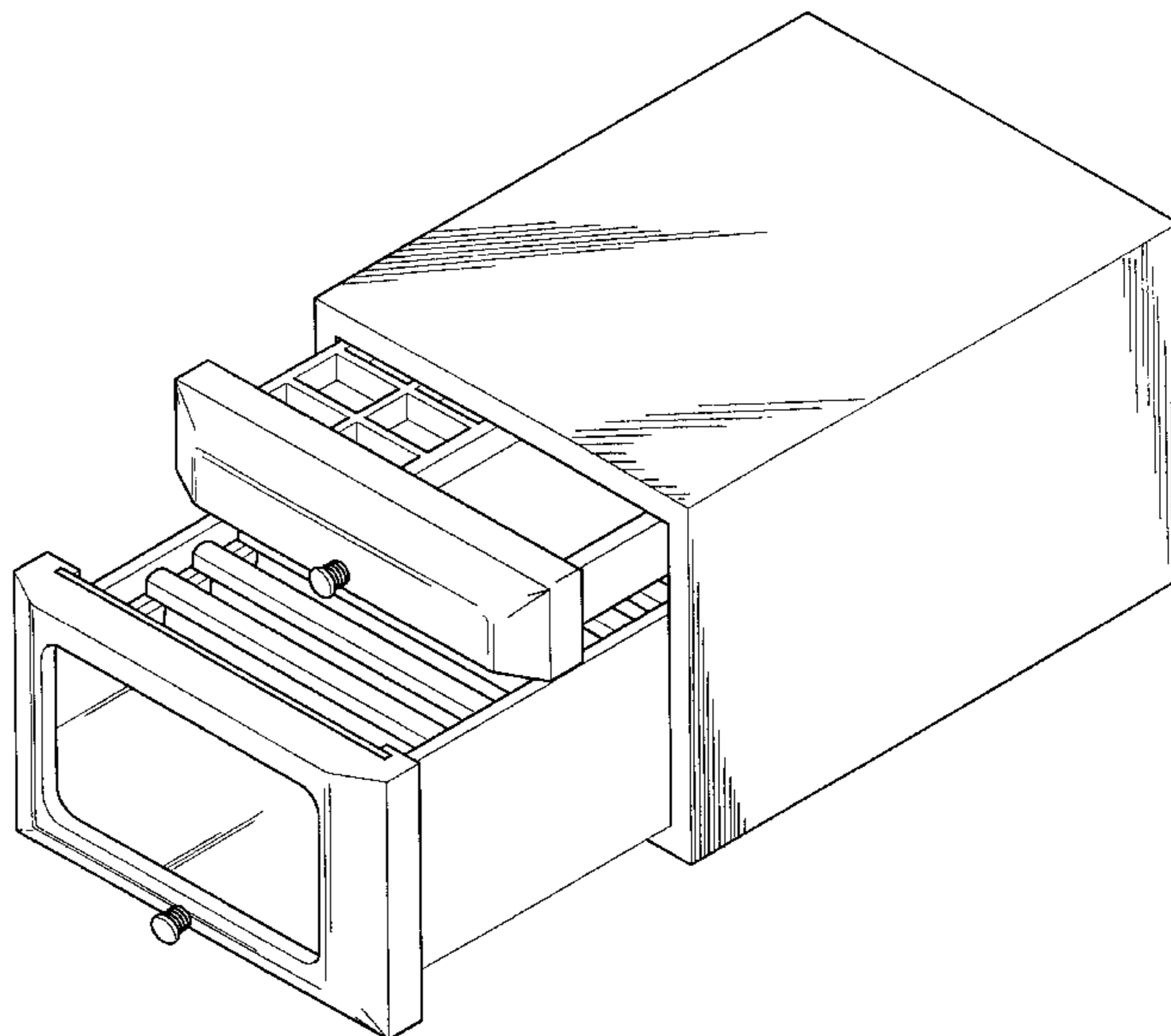
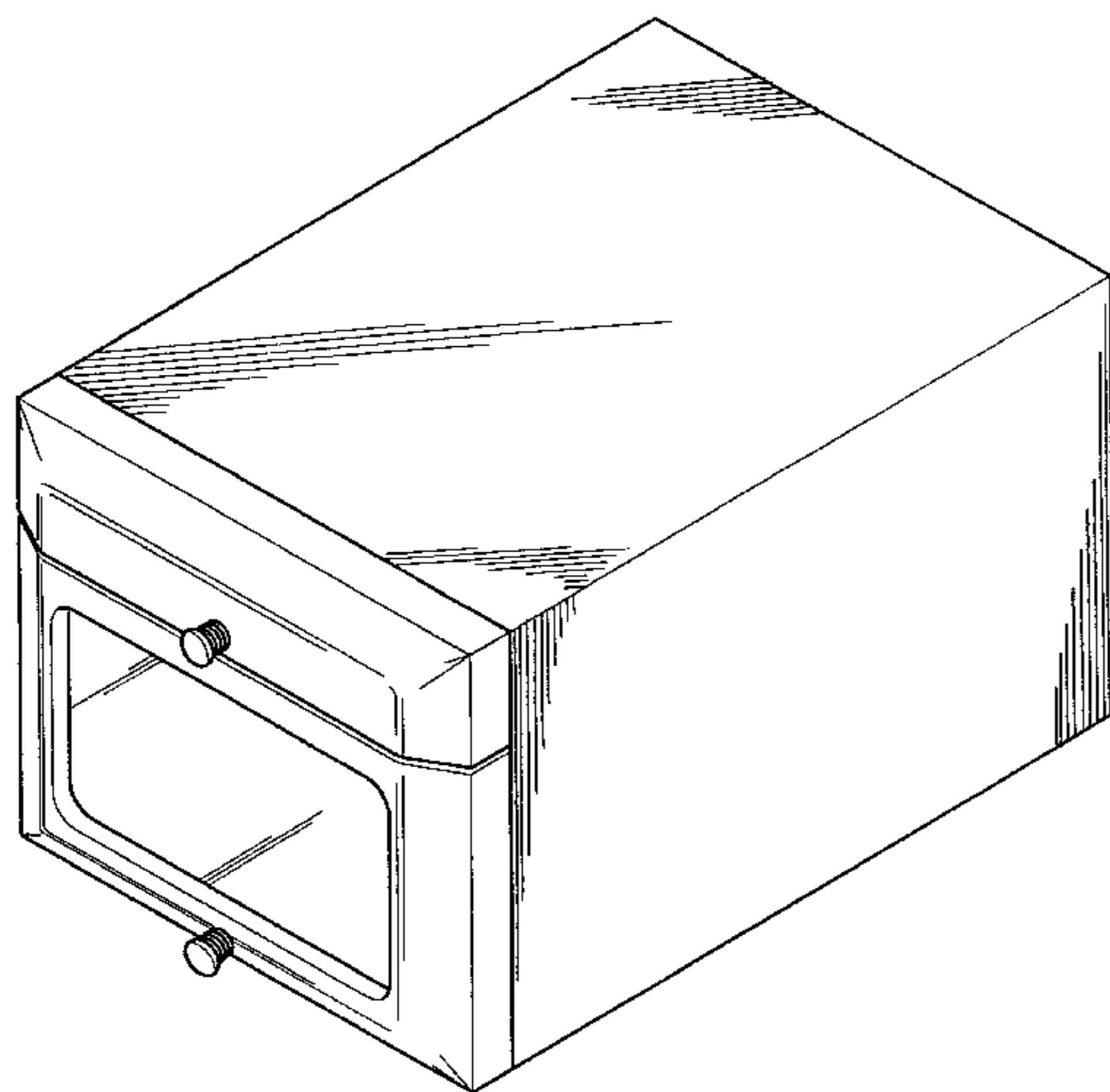
The ornamental design for a cabinet, as shown and described.

DESCRIPTION

FIG. 1 is a solid view thereof.
FIG. 2 is a front elevation view thereof.
FIG. 3 is a rear elevation view thereof.
FIG. 4 is a left plan elevation view thereof.
FIG. 5 is a right plan elevation view thereof.
FIG. 6 is a top plan view thereof.
FIG. 7 is a bottom plan view thereof; and,
FIG. 8 is a perspective view with the drawers shown in the open position.

The surfaces or portions of the article not shown in the drawing or described in the specification form no part of the claimed design.

1 Claim, 6 Drawing Sheets



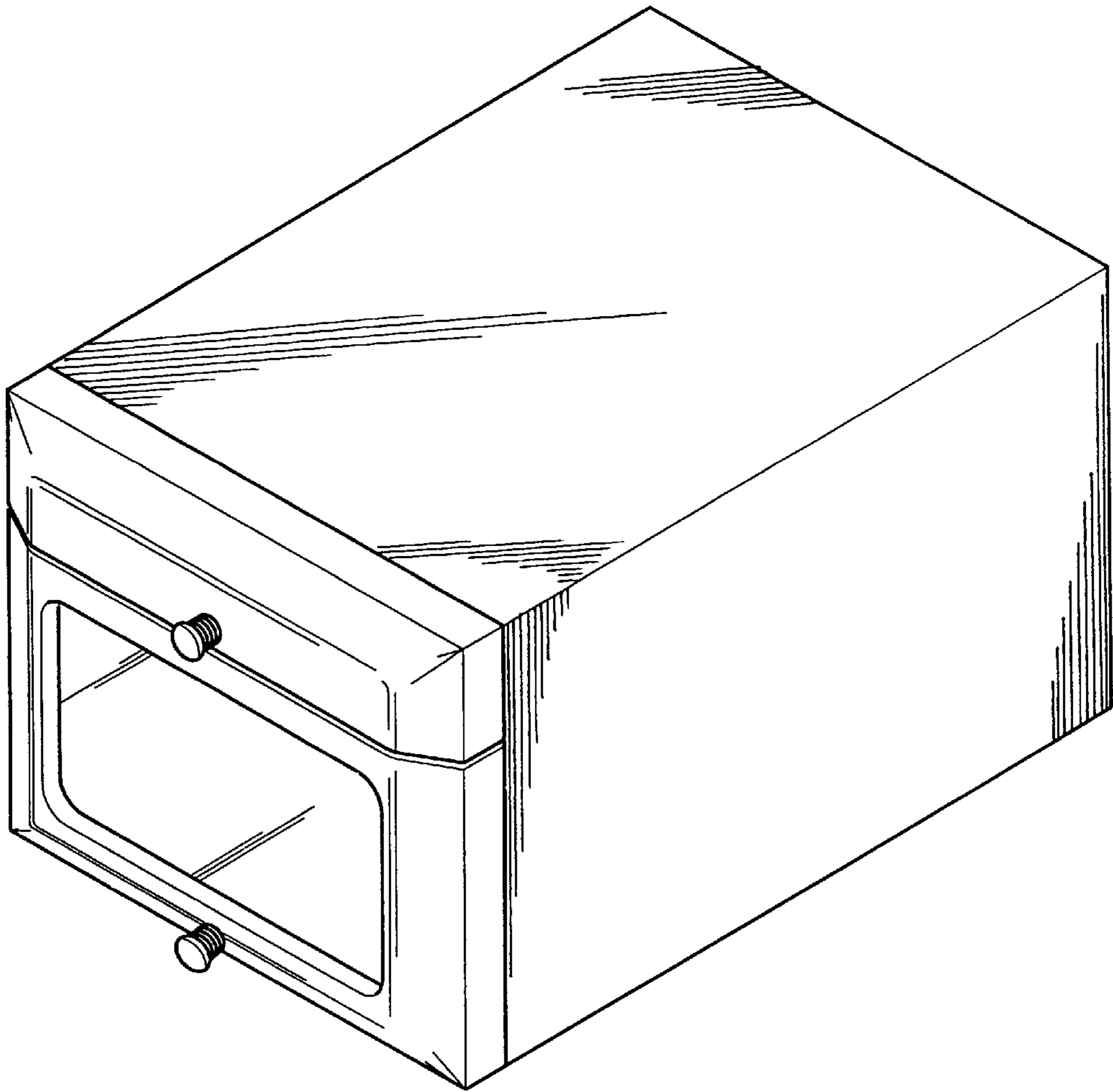


FIG.1

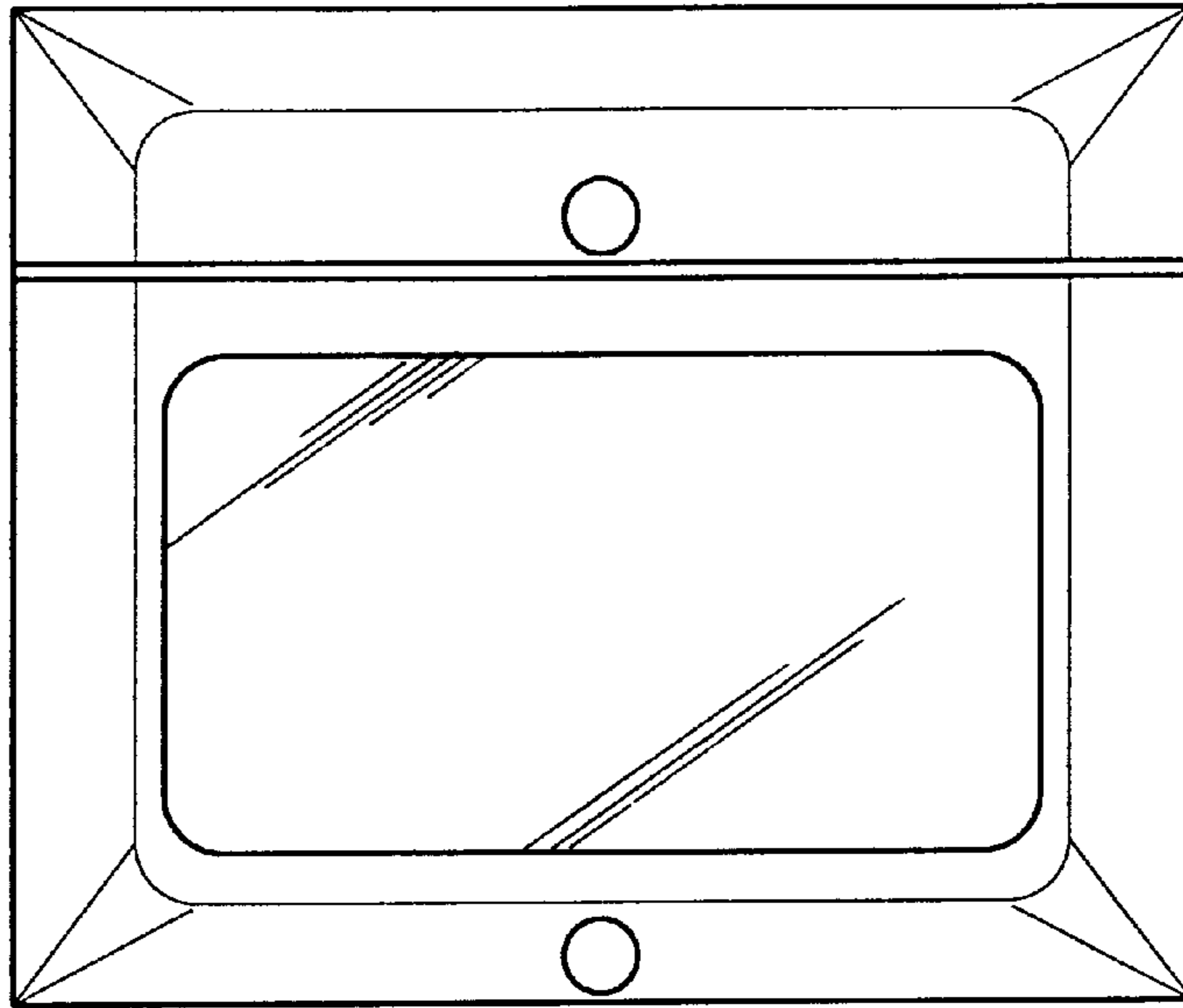


FIG. 2

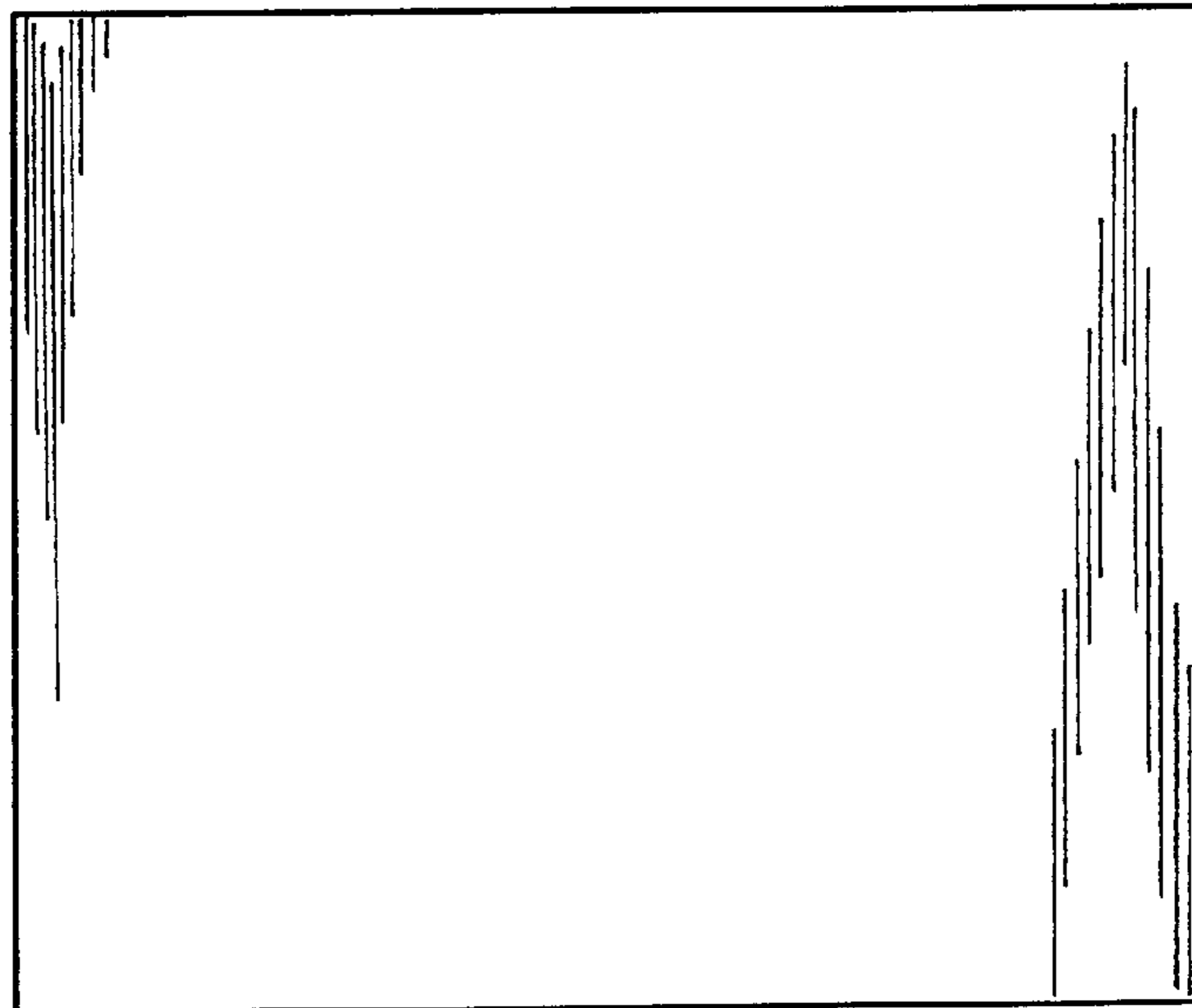


FIG. 3

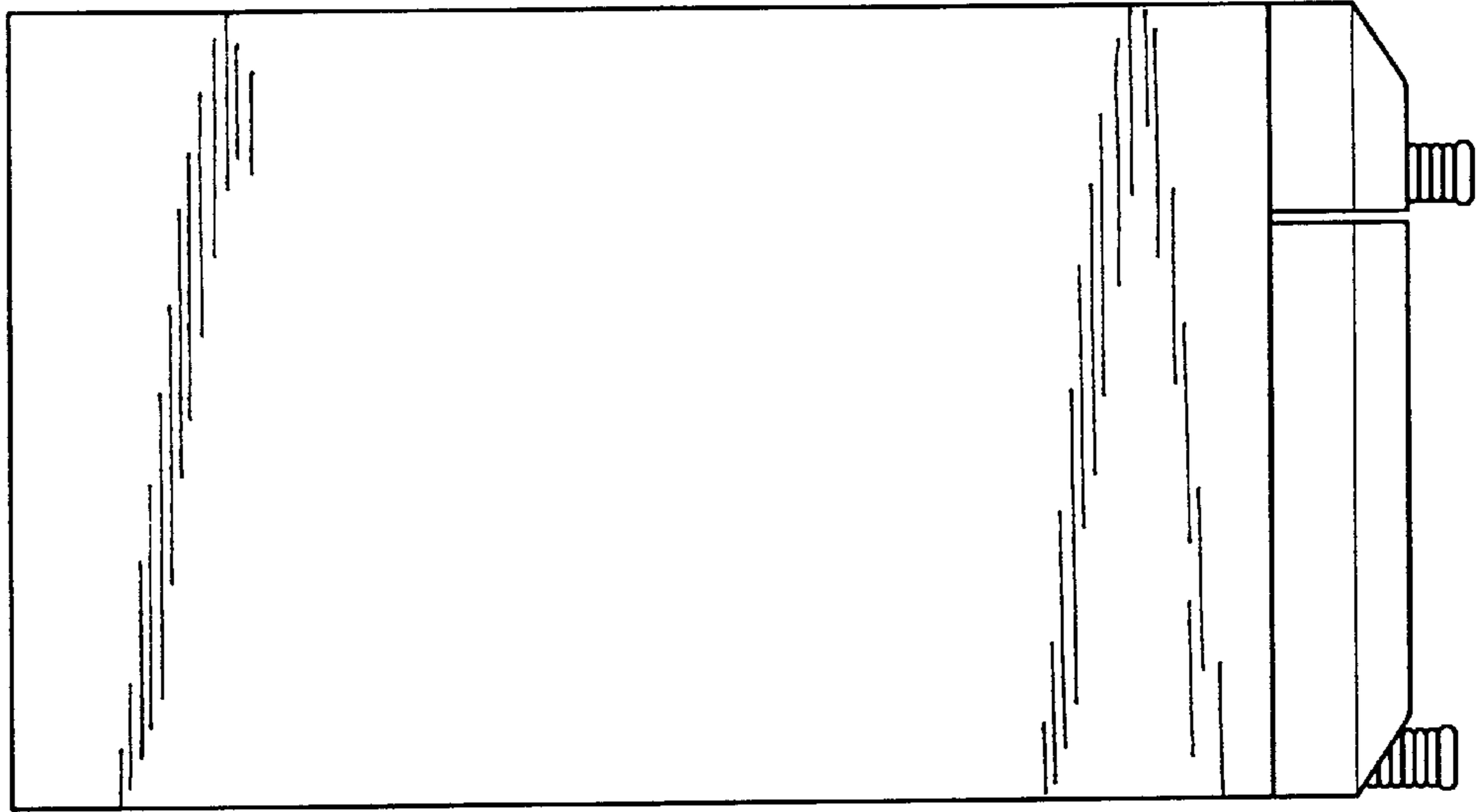


FIG. 4

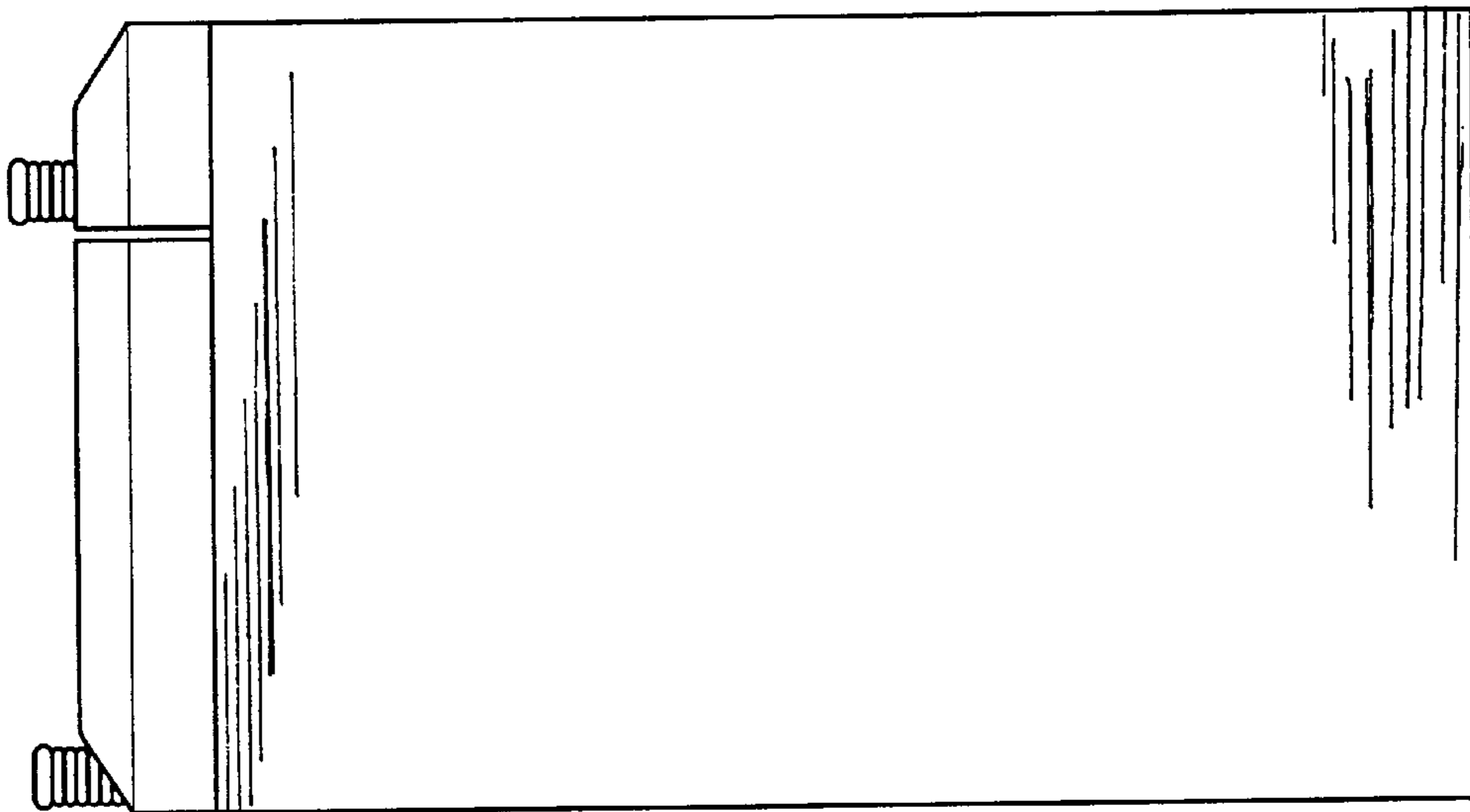


FIG. 5

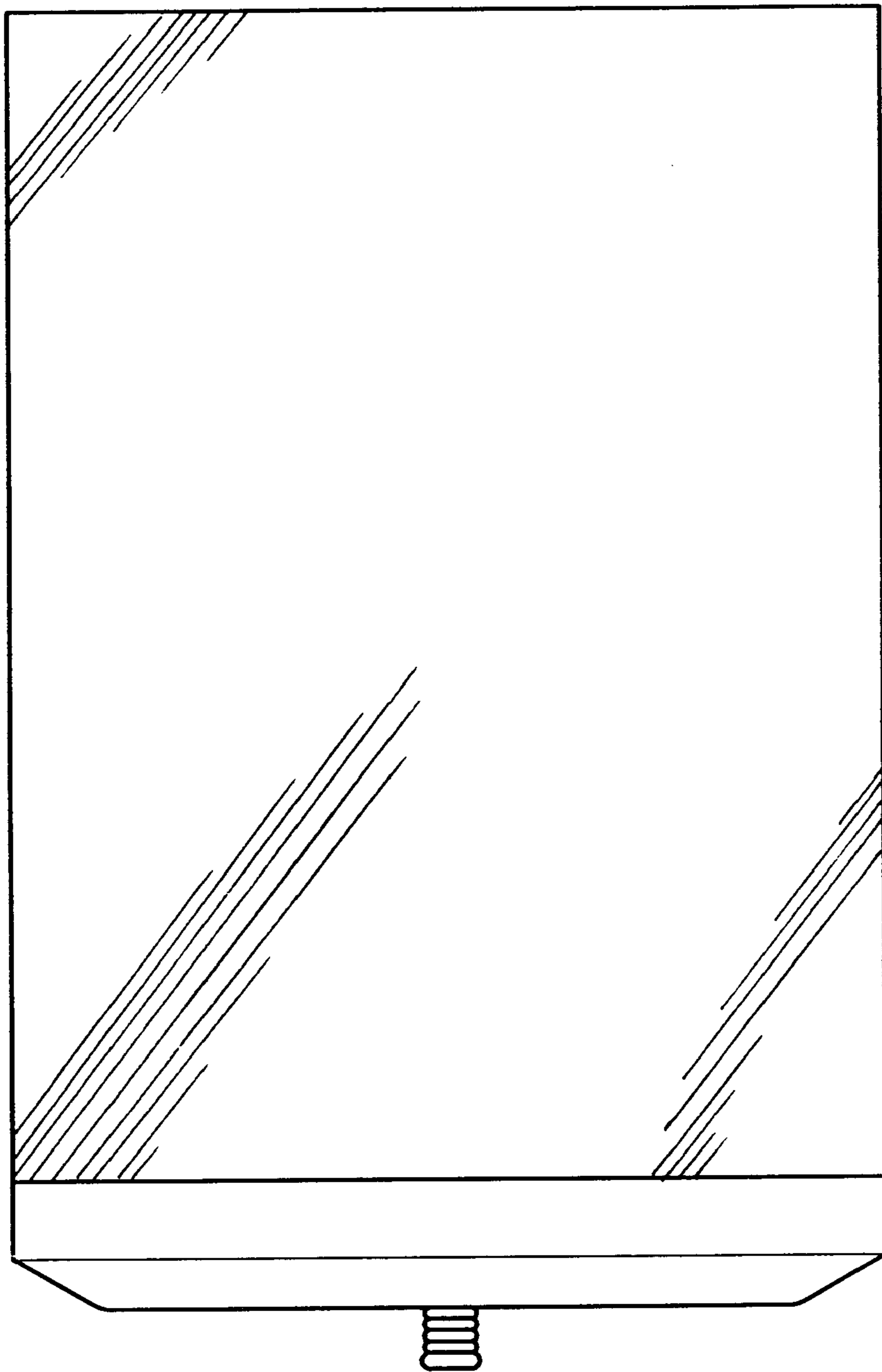


FIG. 6

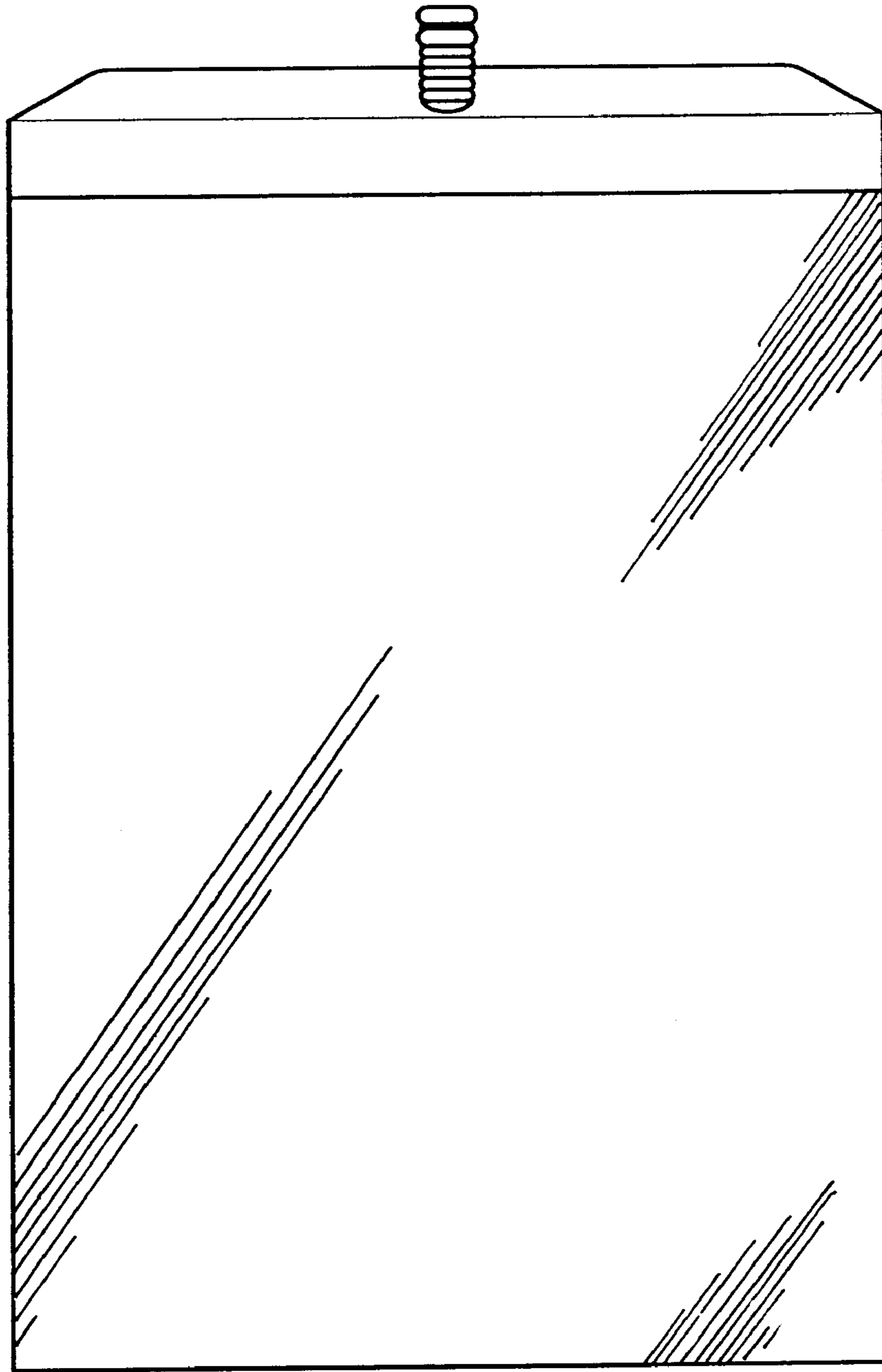


FIG. 7

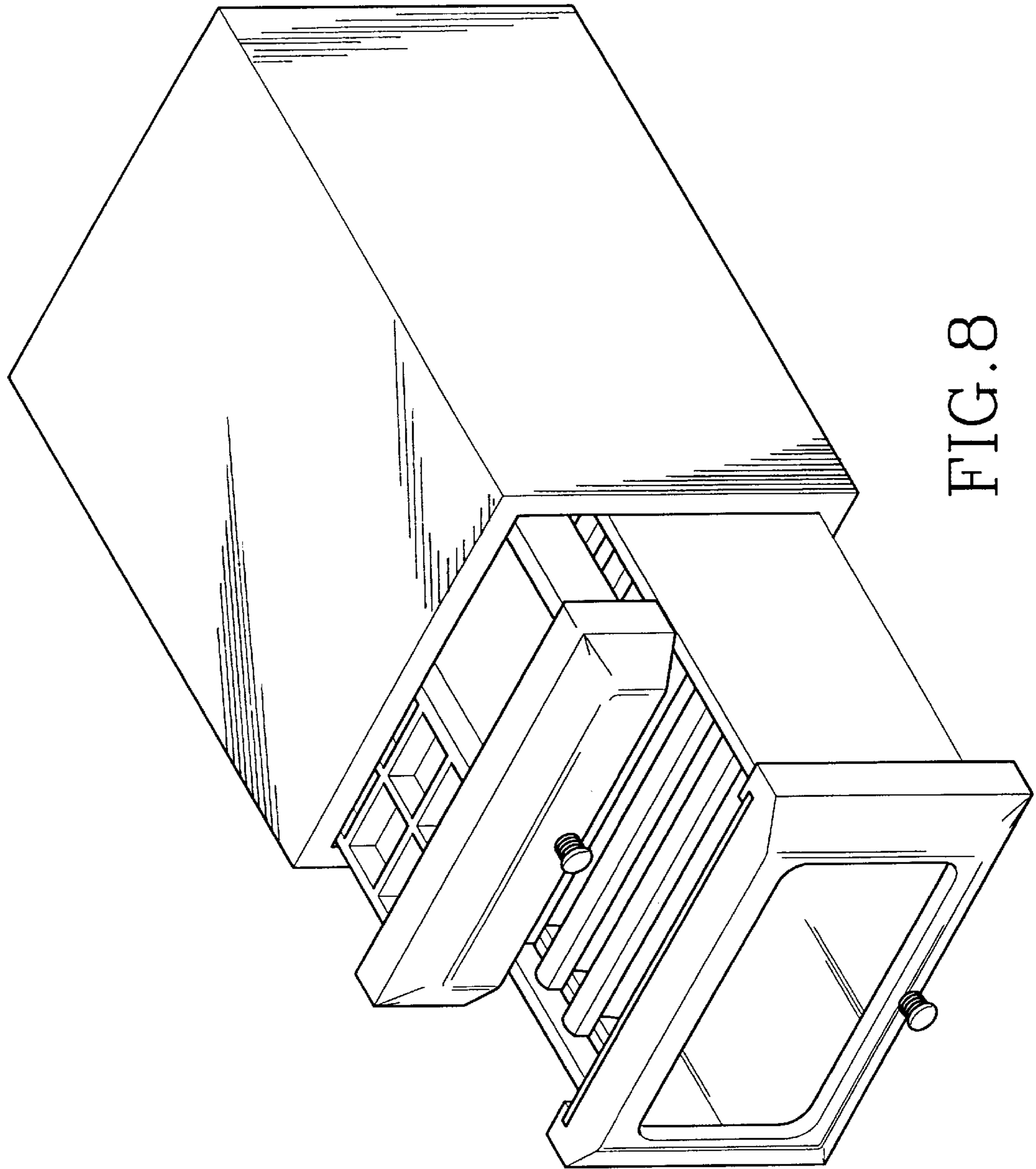


FIG. 8