



US00D433832S

United States Patent [19] Pizarro

[11] **Patent Number: Des. 433,832**

[45] **Date of Patent: ** Nov. 21, 2000**

[54] **BASE OF A CHAIR**

[75] Inventor: **Marcello Pizarro**, Marino del Ray, Calif.

[73] Assignee: **Minson Corporation**, Montebello, Calif.

[**] Term: **14 Years**

[21] Appl. No.: **29/115,563**

[22] Filed: **Dec. 16, 1999**

[51] **LOC (7) Cl.** **06-01**

[52] **U.S. Cl.** **D6/365; D6/380**

[58] **Field of Search** D6/334, 335, 363, D6/364, 365, 370, 371, 372, 373, 374, 379, 380, 500, 501, 502; 297/56, 446.1

[56] **References Cited**

U.S. PATENT DOCUMENTS

D. 137,904 5/1944 Dieter D6/372

D. 226,463	3/1973	Duern et al.	D6/363
D. 235,837	7/1975	Little	D6/363
D. 371,012	6/1996	Klein	D6/373
3,180,685	4/1965	Rogalski et al.	D6/334 X
4,652,047	3/1987	Chan	297/56 X

Primary Examiner—Gary D. Watson
Attorney, Agent, or Firm—Lyon & Lyon LLP

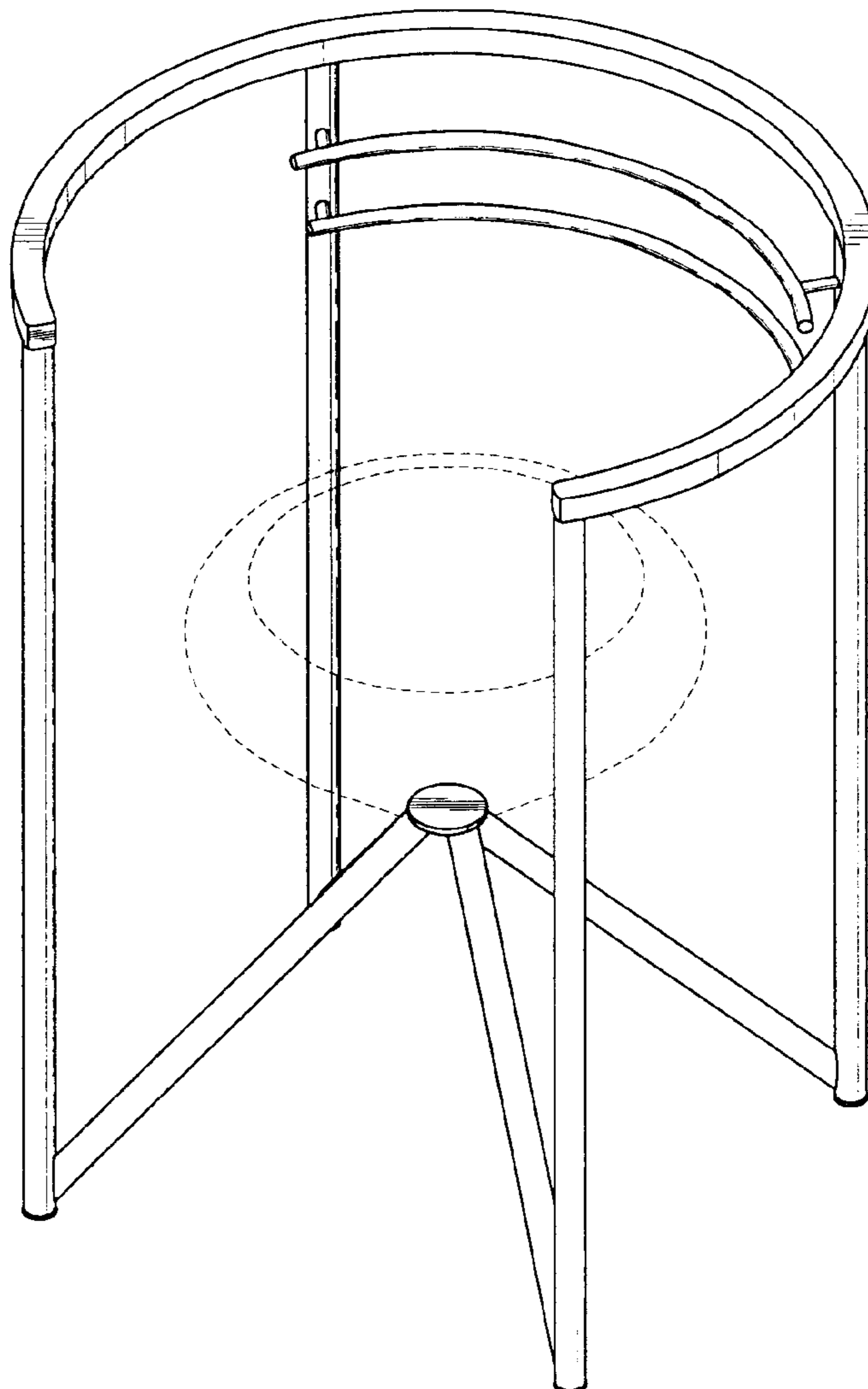
[57] **CLAIM**

The ornamental design for a base of a chair, as shown and described.

DESCRIPTION

FIG. 1 is a top front side perspective view of the new design; FIG. 2 is a front elevation view thereof; FIG. 3 is a top plan view thereof; FIG. 4 is a right side elevation view thereof; FIG. 5 is a bottom plan view thereof; and, FIG. 6 is a rear elevation view thereof; The broken lines illustrate the environmental structure of the base of the chair, and form no part of the claimed design.

1 Claim, 3 Drawing Sheets



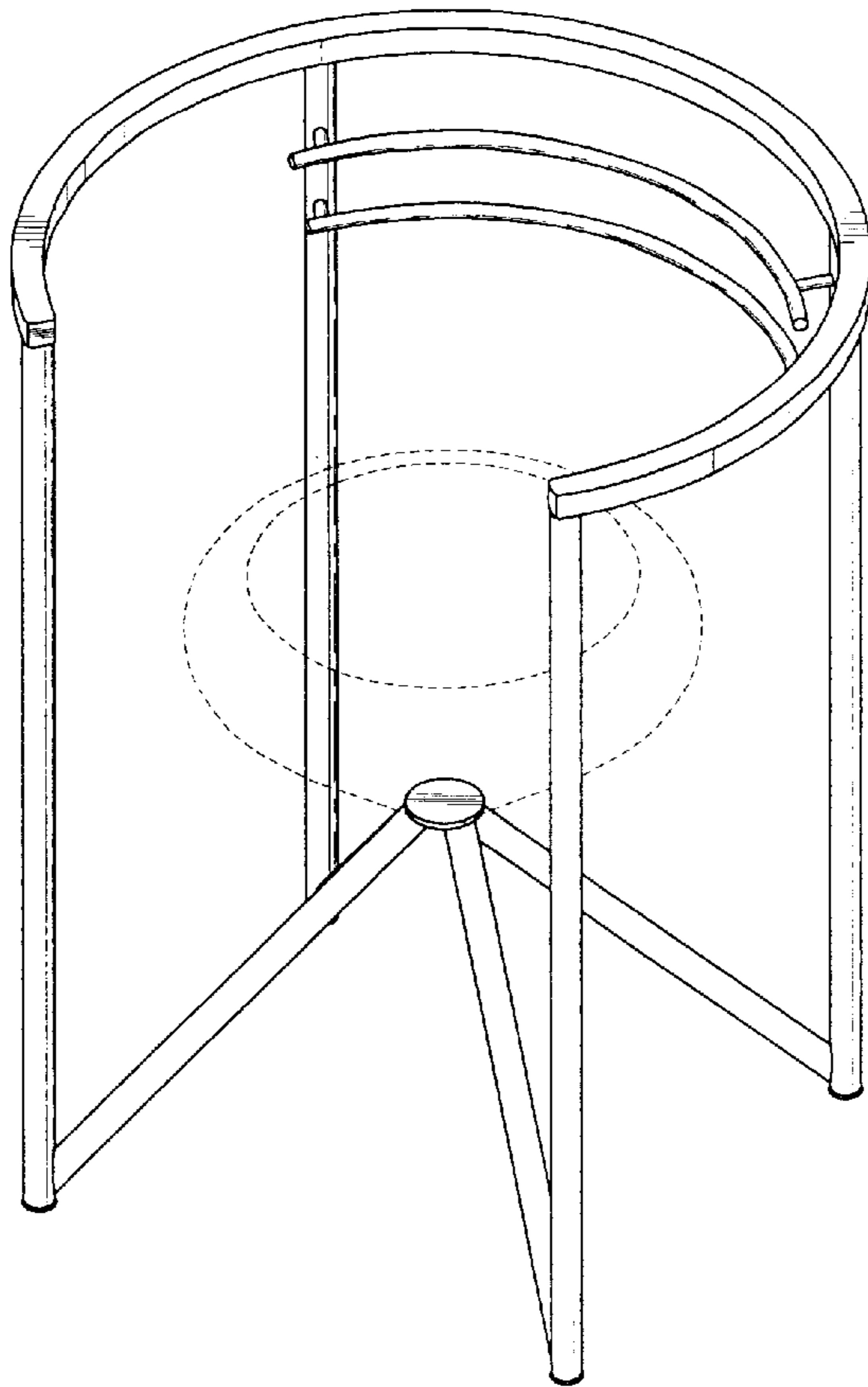


FIG. 1

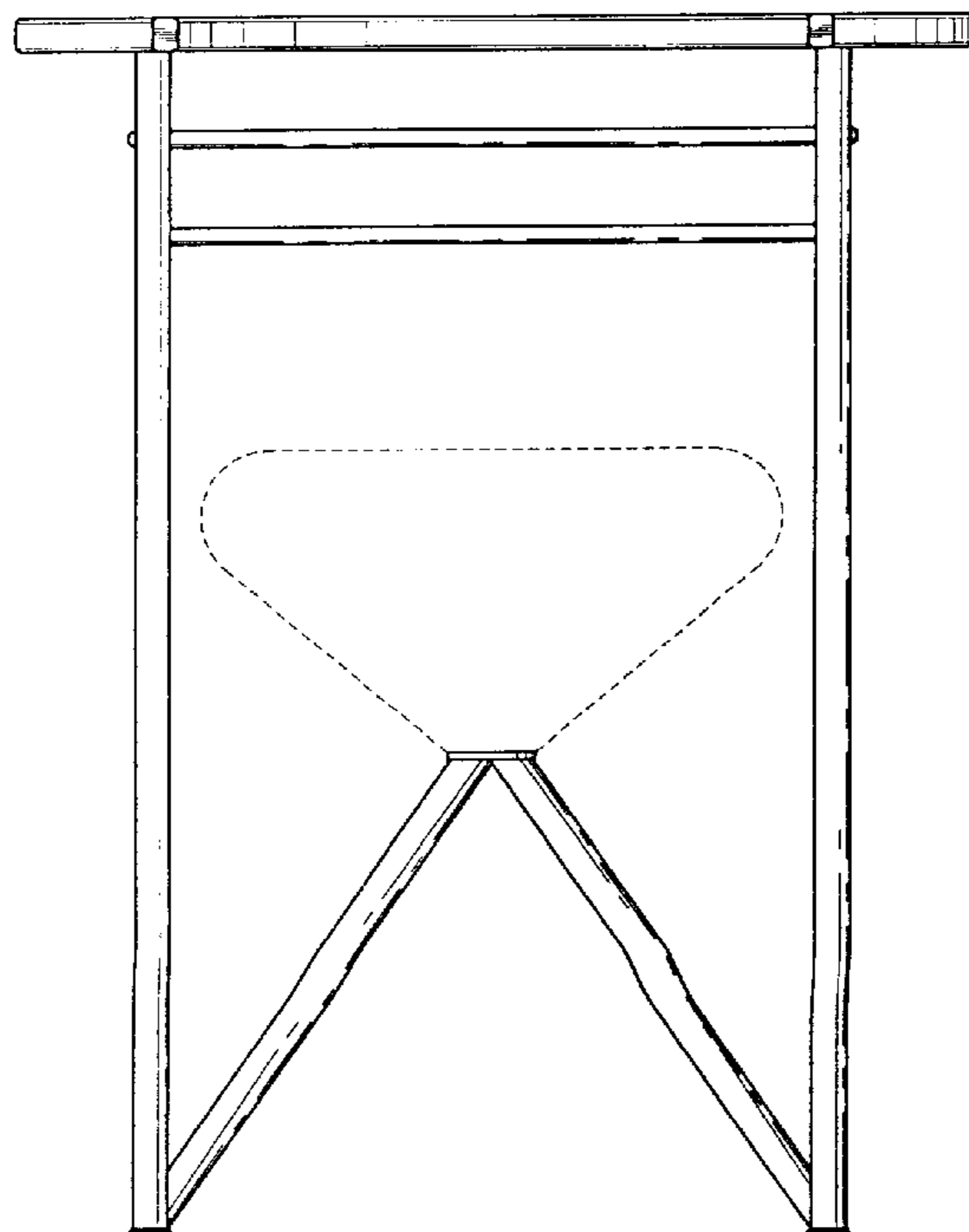


FIG. 2

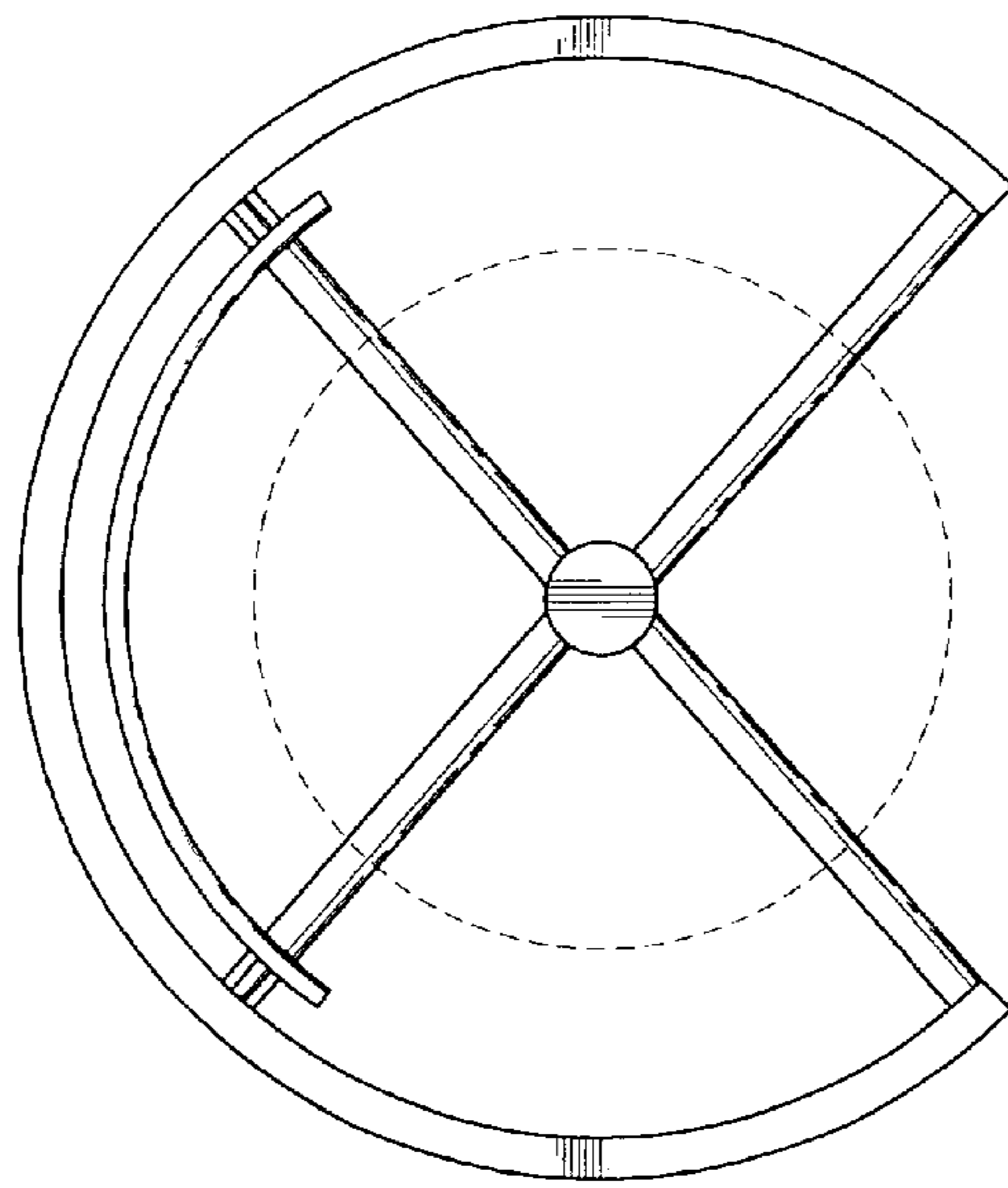


FIG. 3

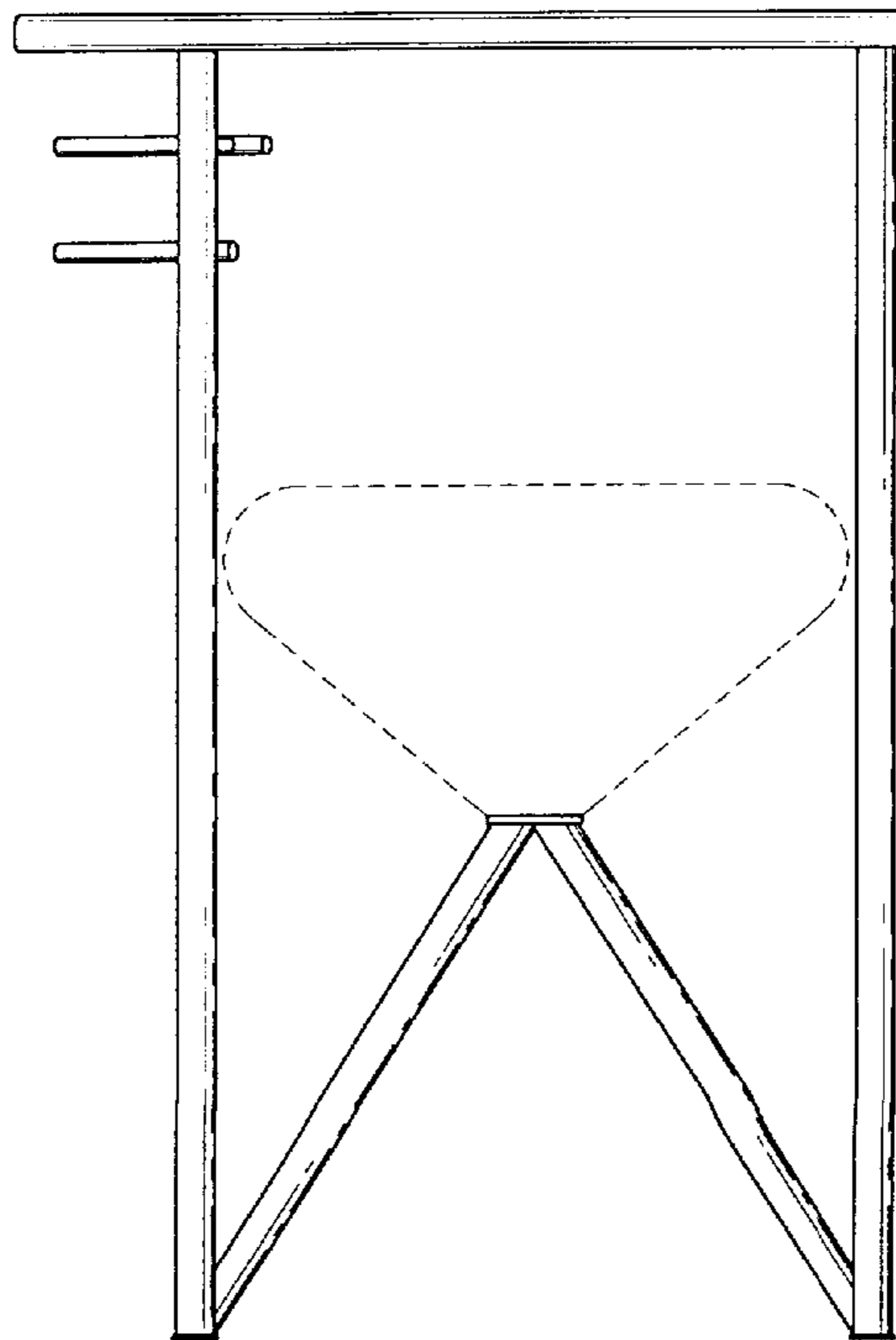


FIG. 4

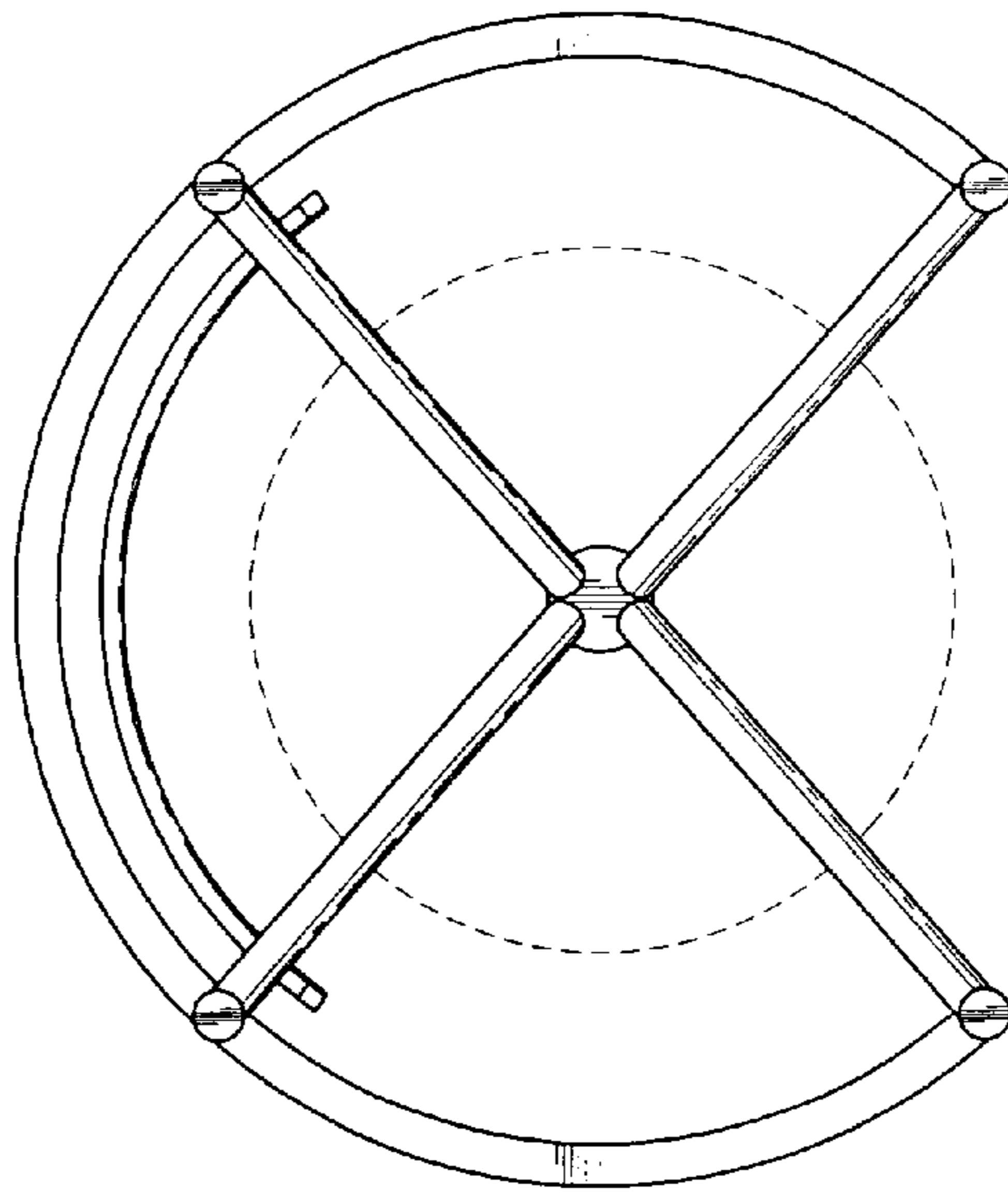


FIG. 5

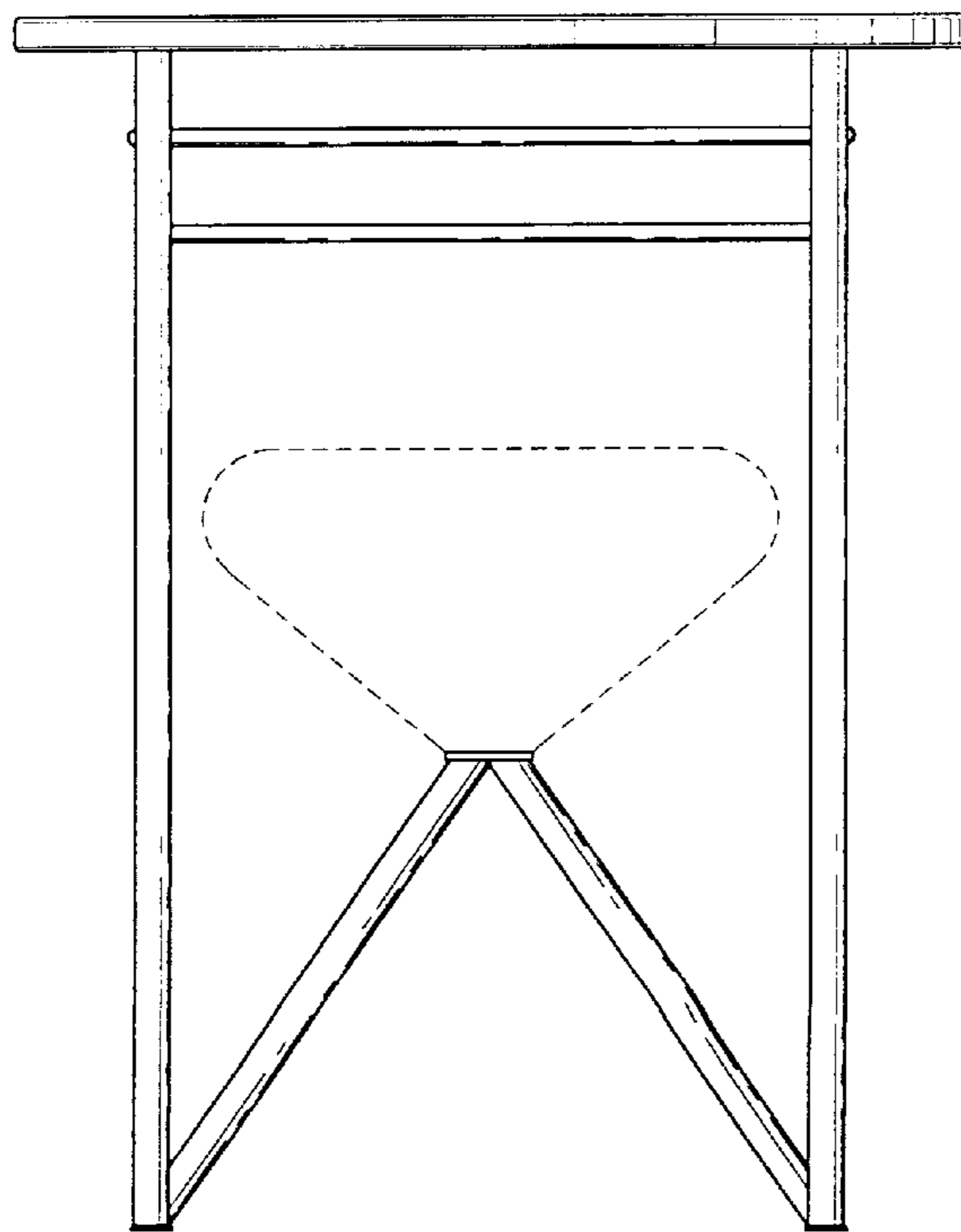


FIG. 6