



US00D433829S

# United States Patent [19]

Barile et al.

[11] Patent Number: **Des. 433,829**

[45] Date of Patent: **\*\* \*Nov. 21, 2000**

[54] **STACKING BAR STOOL WITH HORIZONTAL BACK**

[75] Inventors: **Peter Barile**, Morristown, Tenn.;  
**Manfred Steinfeld**, Chicago, Ill.

[73] Assignee: **Shelby Williams Industries, Inc.**,  
Morristown, Tenn.

[\*] Notice: This patent is subject to a terminal disclaimer.

[\*\*] Term: **14 Years**

[21] Appl. No.: **29/100,693**

[22] Filed: **Feb. 16, 1999**

[51] **LOC (7) Cl.** ..... **06-01**

[52] **U.S. Cl.** ..... **D6/360**

[58] **Field of Search** ..... D6/334, 350, 360,  
D6/370, 374, 376, 379, 380, 500, 501,  
502; 297/239, 423.21, 445.1, 446.1, 461

[56] **References Cited**

**U.S. PATENT DOCUMENTS**

D. 199,902 12/1964 Petersen ..... D6/374

D. 199,979	1/1965	Bates et al. ....	D6/350
D. 202,426	9/1965	Jakobsen .....	D6/360
D. 222,997	2/1972	Edgar et al. ....	D6/374
D. 264,779	6/1982	Wenger et al. ....	D6/380
D. 268,798	5/1983	Rowland .....	D6/374
D. 353,719	12/1994	Ward .....	D6/370
D. 371,010	6/1996	Barile .....	D6/370
2,936,024	5/1960	Hendrickson .....	297/239
4,304,436	12/1981	Rowland .....	297/239

*Primary Examiner*—Gary D. Watson  
*Attorney, Agent, or Firm*—Pitts & Brittan, P.C.

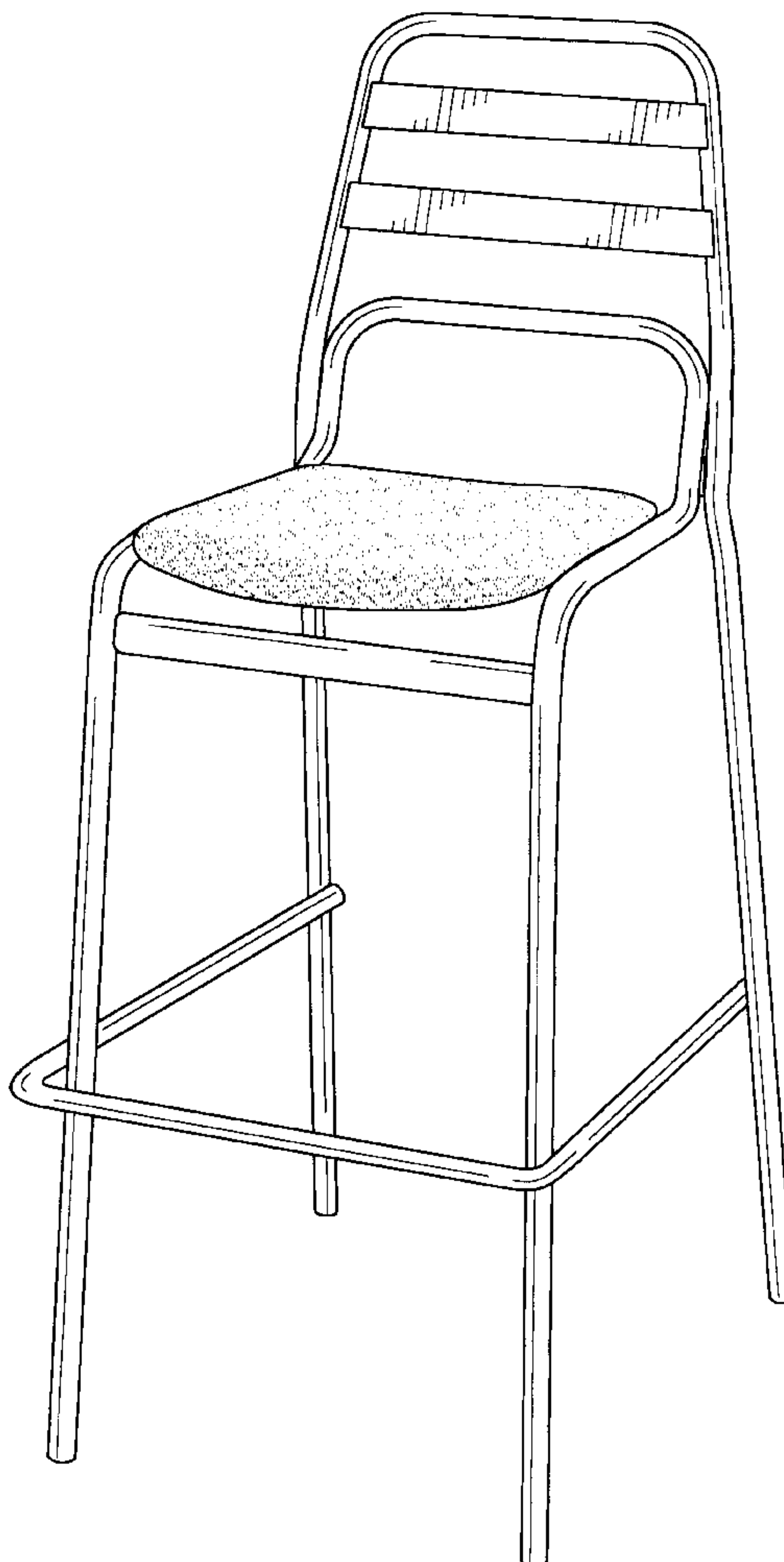
[57] **CLAIM**

The ornamental design for a stacking bar stool with horizontal back, as shown and described.

**DESCRIPTION**

FIG. 1 is a perspective view thereof;  
FIG. 2 is a front view thereof;  
FIG. 3 is a back view thereof;  
FIG. 4 is a right side view thereof, left side view being a mirror image thereof;  
FIG. 5 is a top view thereof; and,  
FIG. 6 is a bottom view thereof.

**1 Claim, 6 Drawing Sheets**



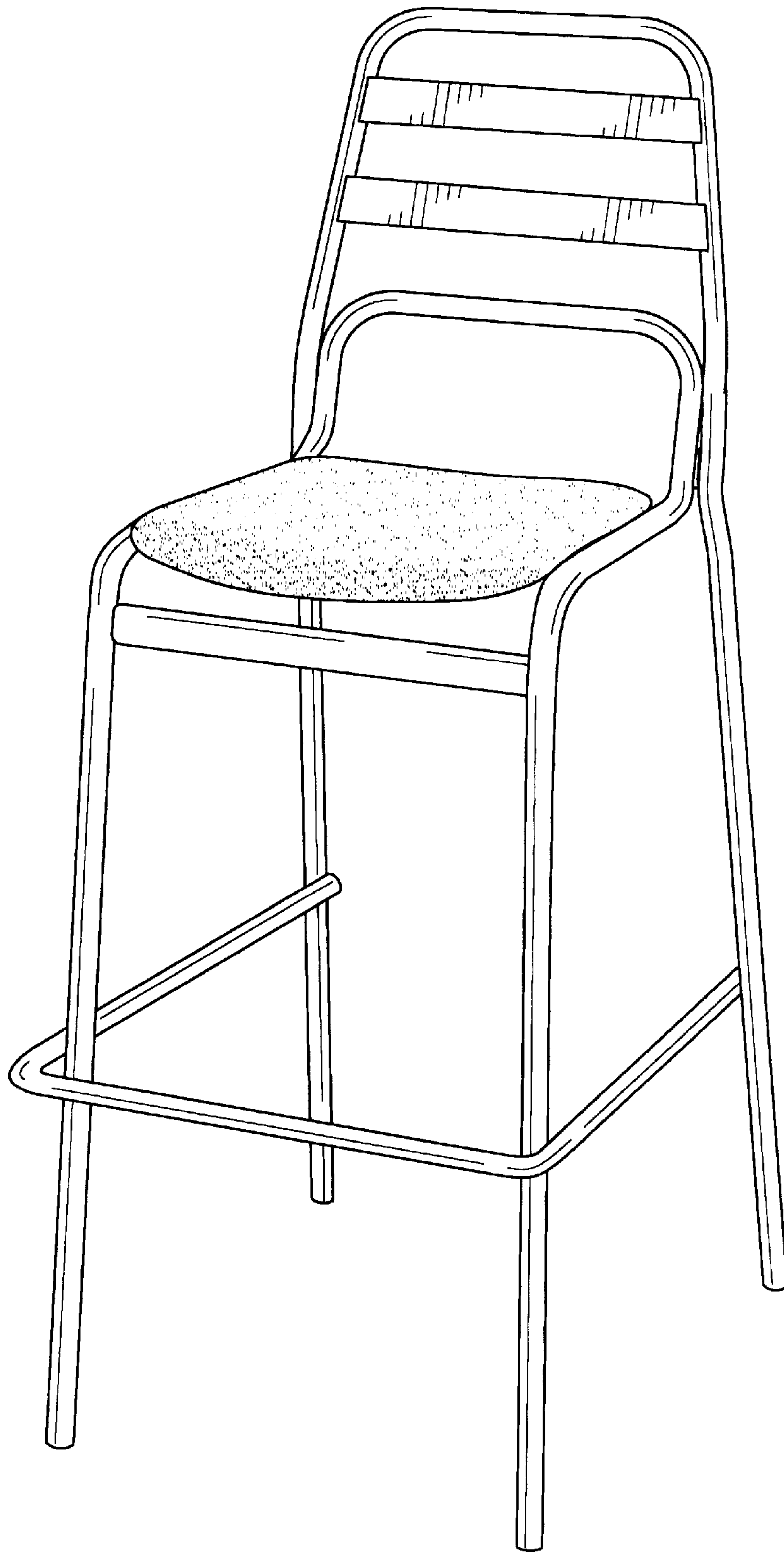


Fig. 1

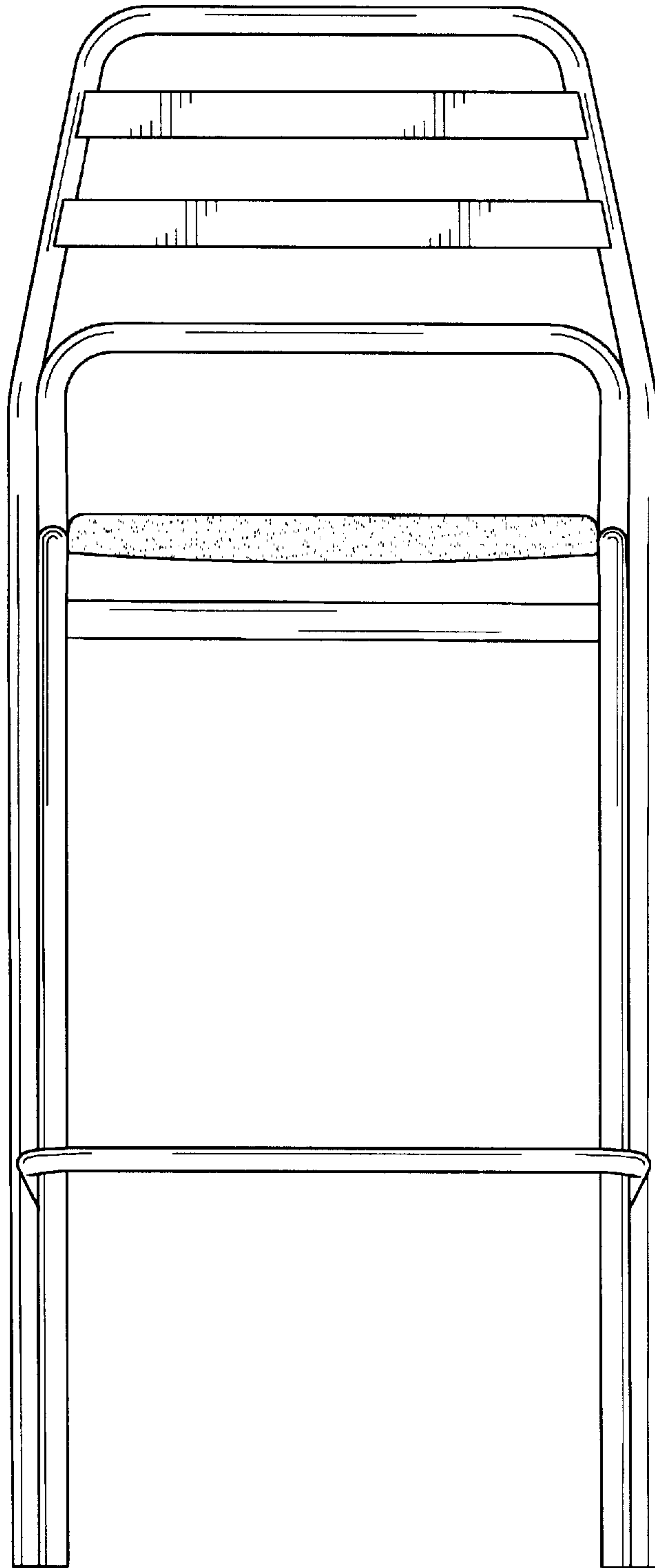


Fig. 2

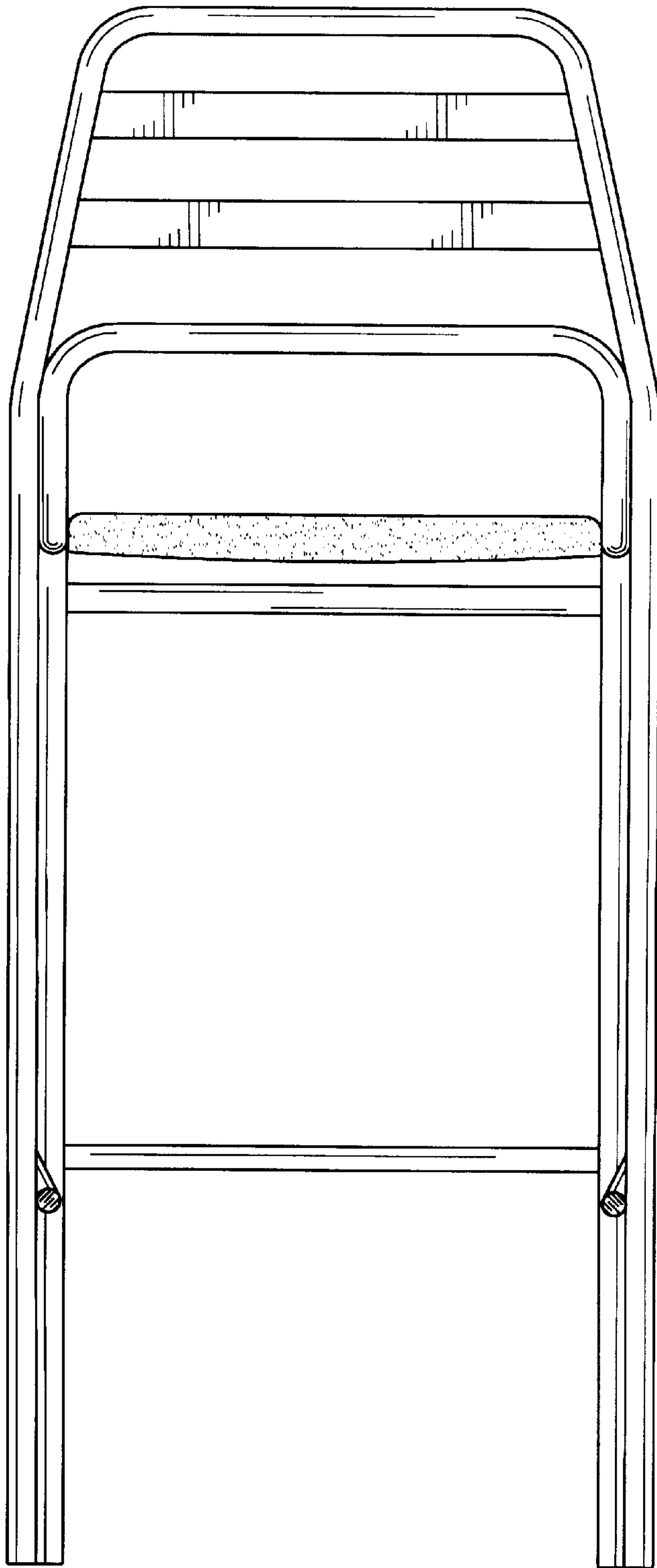


Fig. 3

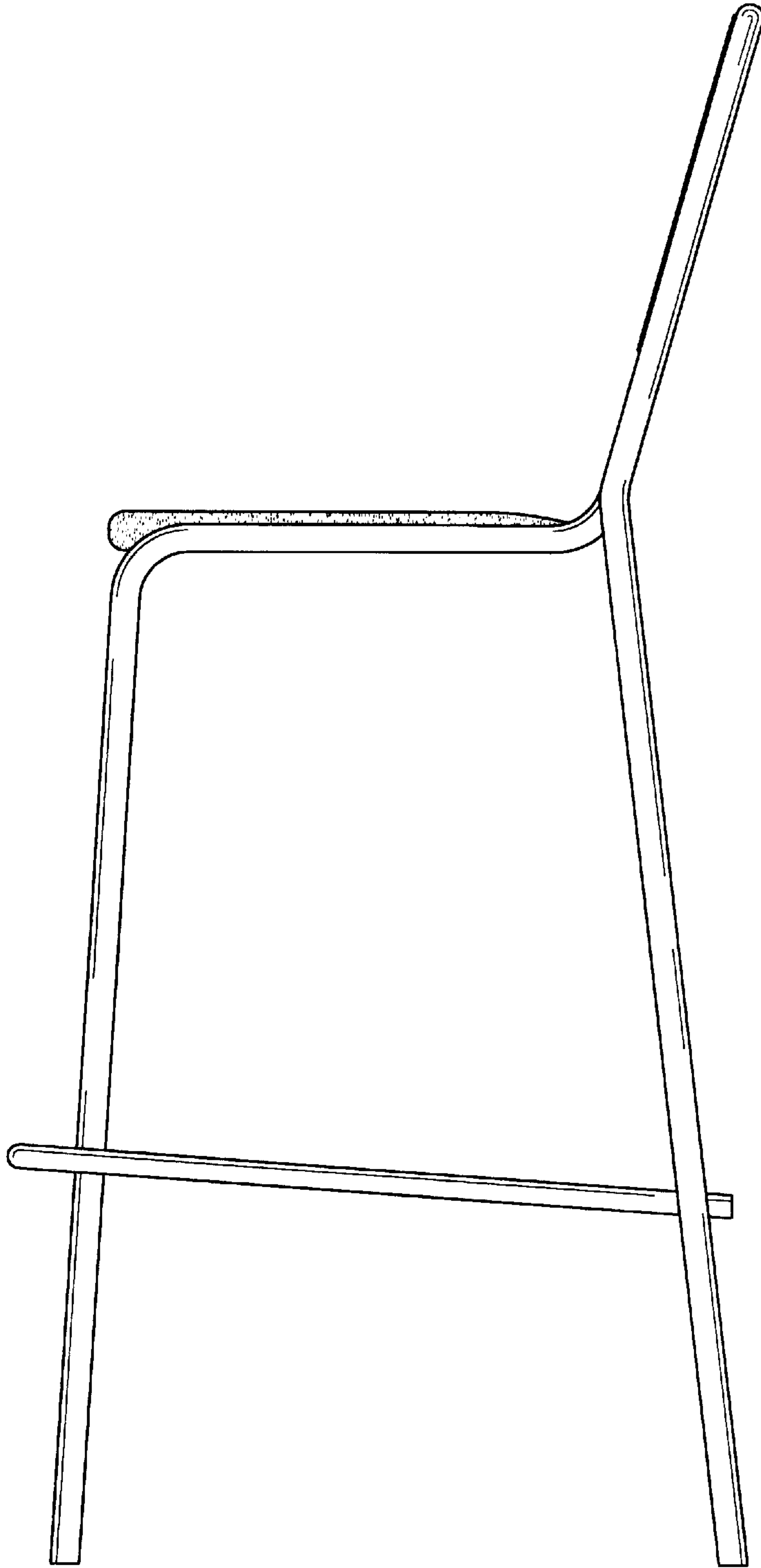


Fig. 4

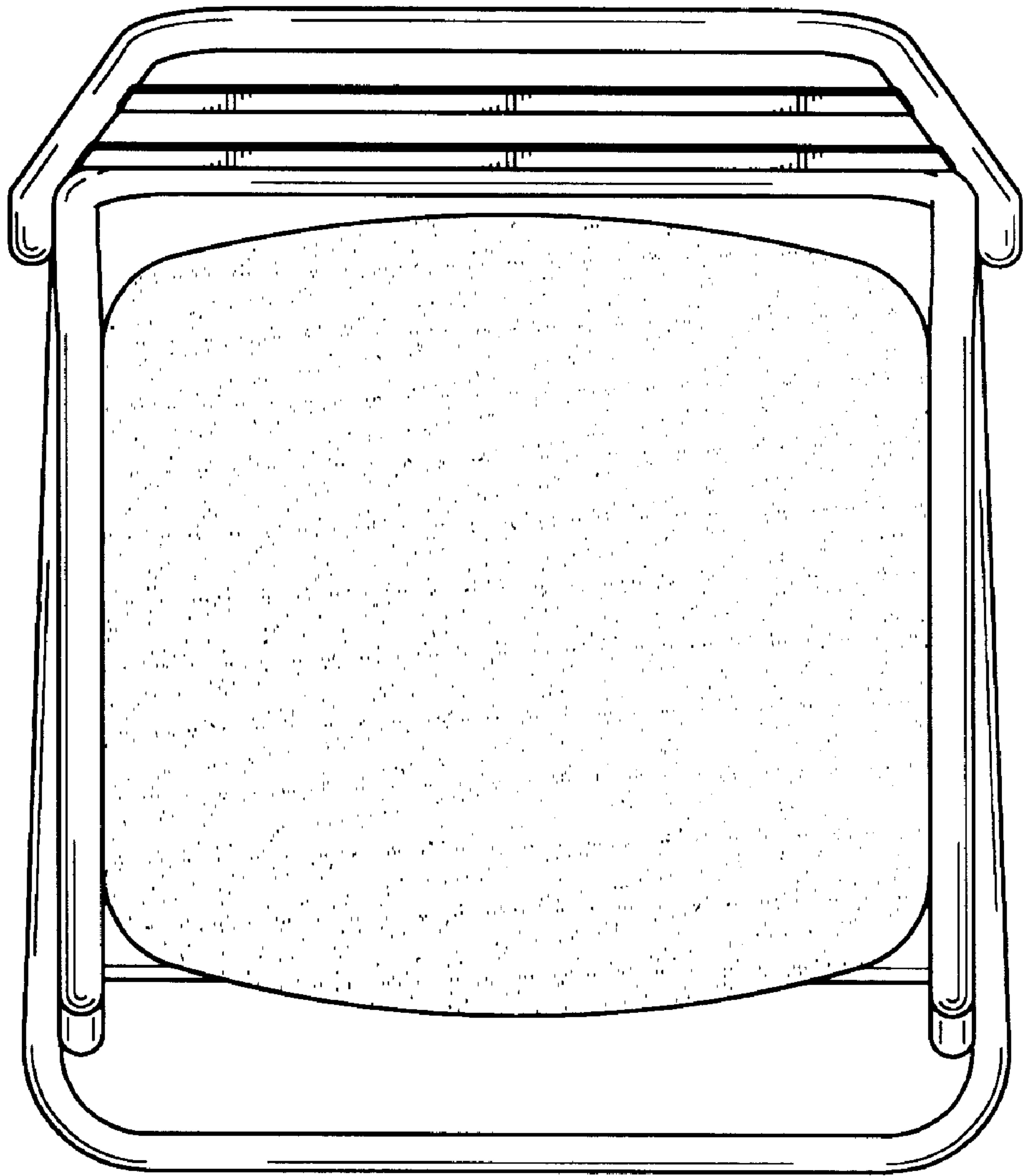


Fig. 5

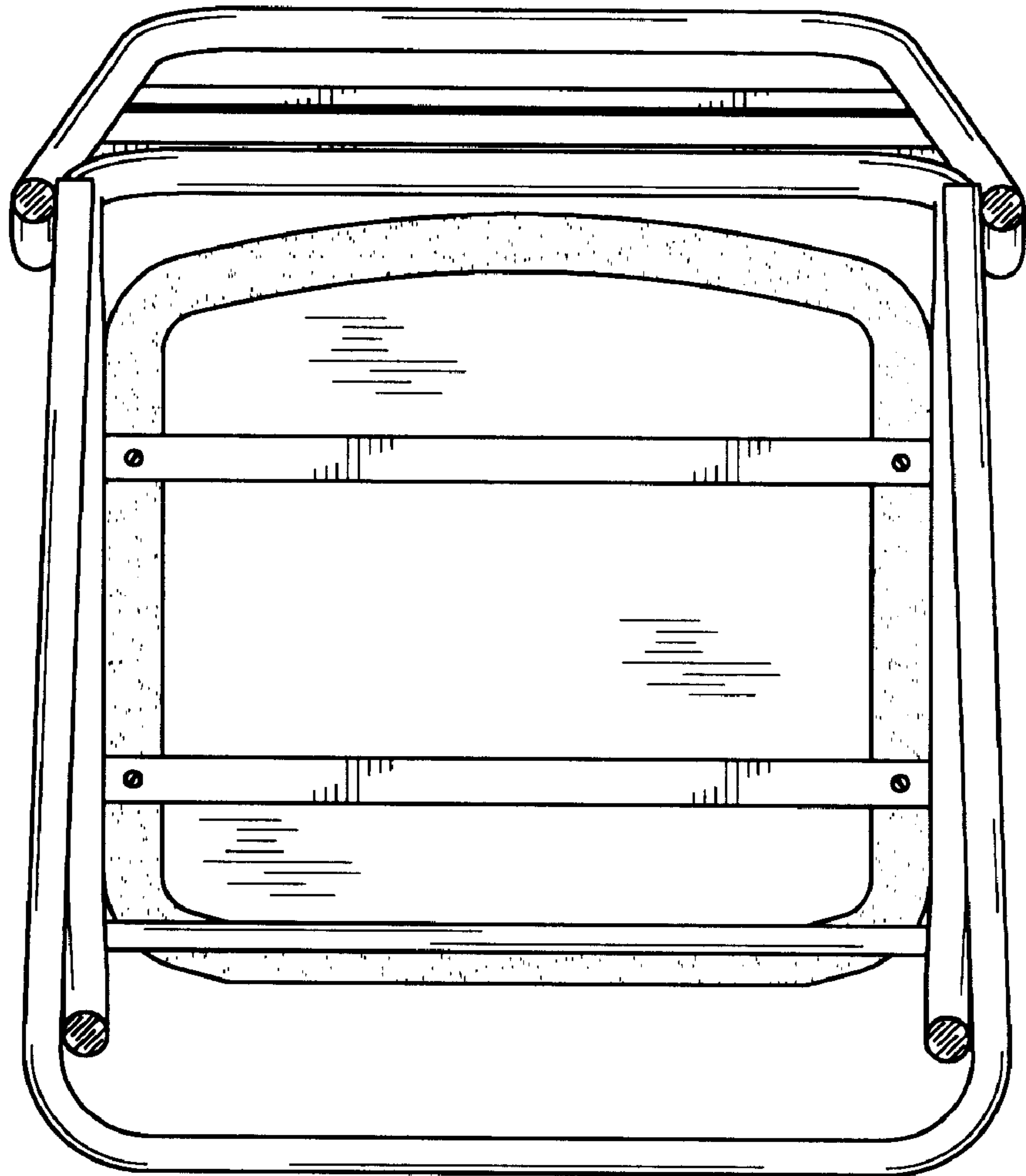


Fig. 6