



US00D433825S

**United States Patent** [19]  
**Piretti**

[11] **Patent Number: Des. 433,825**

[45] **Date of Patent: \*\* Nov. 21, 2000**

[54] **SEATING UNIT**

**DESCRIPTION**

[75] Inventor: **Giancarlo Piretti**, Bologna, Italy

[73] Assignee: **Pro-Cord. S.r.l.**, Italy

[\*\*] Term: **14 Years**

[21] Appl. No.: **29/105,947**

[22] Filed: **Jun. 4, 1999**

[51] **LOC (7) Cl.** ..... **06-01**

[52] **U.S. Cl.** ..... **D6/334; D6/335; D6/379**

[58] **Field of Search** ..... D6/334, 335, 336,  
D6/364, 371, 373, 375, 379, 381, 500,  
501, 502; 297/232, 445.1, 446.1

[56] **References Cited**

**U.S. PATENT DOCUMENTS**

D. 275,342	9/1984	Fister, Jr.	.....	D6/364
D. 284,142	6/1986	Raftyery	.....	D6/334
D. 347,330	5/1994	Kinsman	.....	D6/334
D. 374,992	10/1996	Burdick et al.	.....	D6/334

*Primary Examiner*—Gary D. Watson

*Attorney, Agent, or Firm*—Andrus, Scales, Starke & Sawall, LLP

[57] **CLAIM**

The ornamental design for a seating unit, as shown and described.

FIG. 1 is a isometric view illustrating a seating unit in accordance with my new design;  
 FIG. 2 is a front elevation view thereof;  
 FIG. 3 is a right side elevation view thereof;  
 FIG. 4 is a rear elevation view thereof;  
 FIG. 5 is a left side elevation view thereof;  
 FIG. 6 is a top plan view thereof;  
 FIG. 7 is an isometric view of another embodiment of a seating unit incorporating my new design;  
 FIG. 8 is a front elevation view thereof;  
 FIG. 9 is a right side elevation view thereof, the left side elevation view being a mirror image thereof;  
 FIG. 10 is a rear elevation view thereof;  
 FIG. 11 is a top plan view thereof;  
 FIG. 12 is a isometric view of another embodiment of a seating unit incorporating my new design;  
 FIG. 13 is a front elevation view thereof;  
 FIG. 14 is a right side elevation view thereof;  
 FIG. 15 is a rear elevation view thereof;  
 FIG. 16 is a left side elevation view thereof; and,  
 FIG. 17 is a top plan view thereof.

The broken lines showing various leg members are for illustrative purposes only and form no part of the claimed design.

**1 Claim, 6 Drawing Sheets**

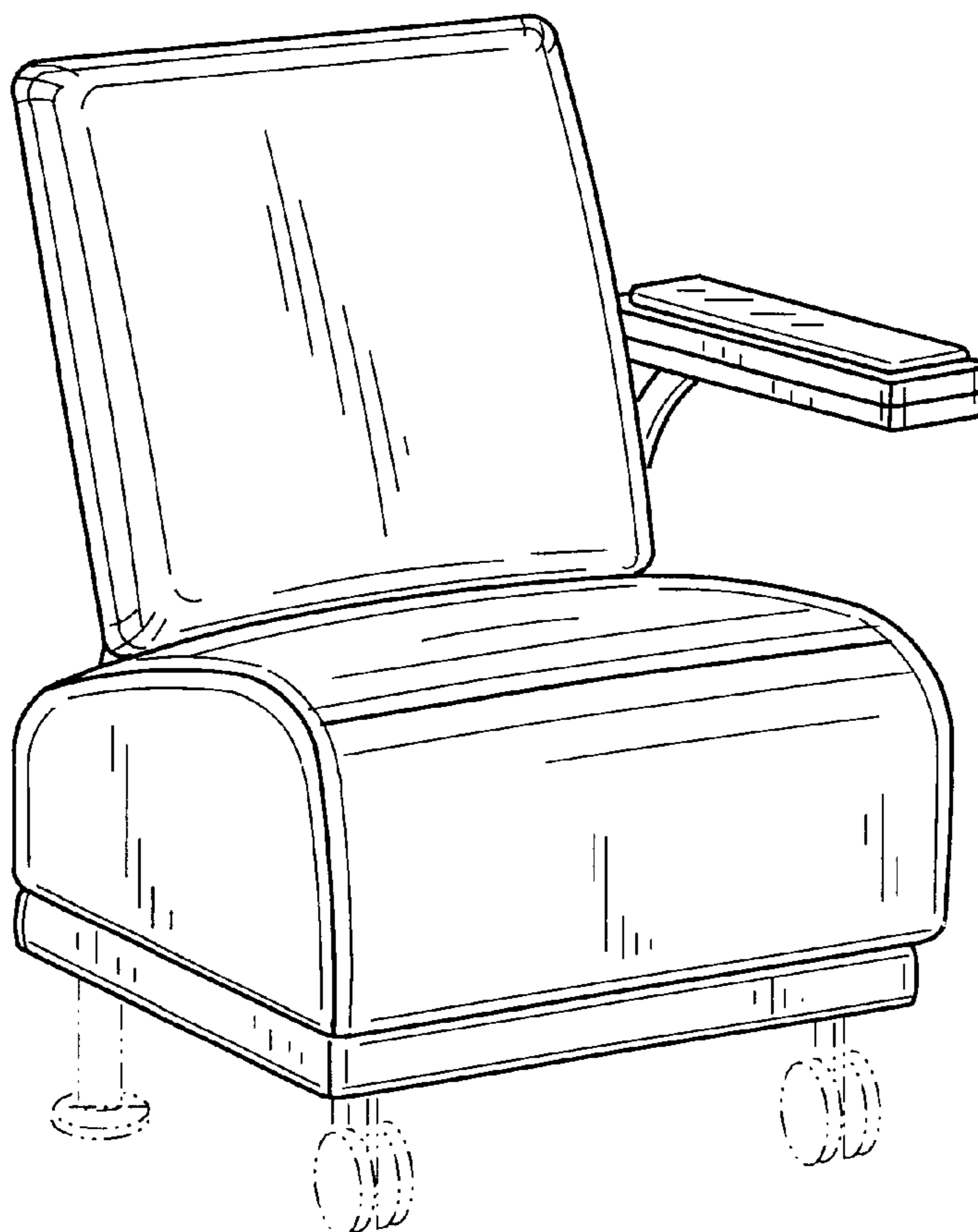


FIG. 1

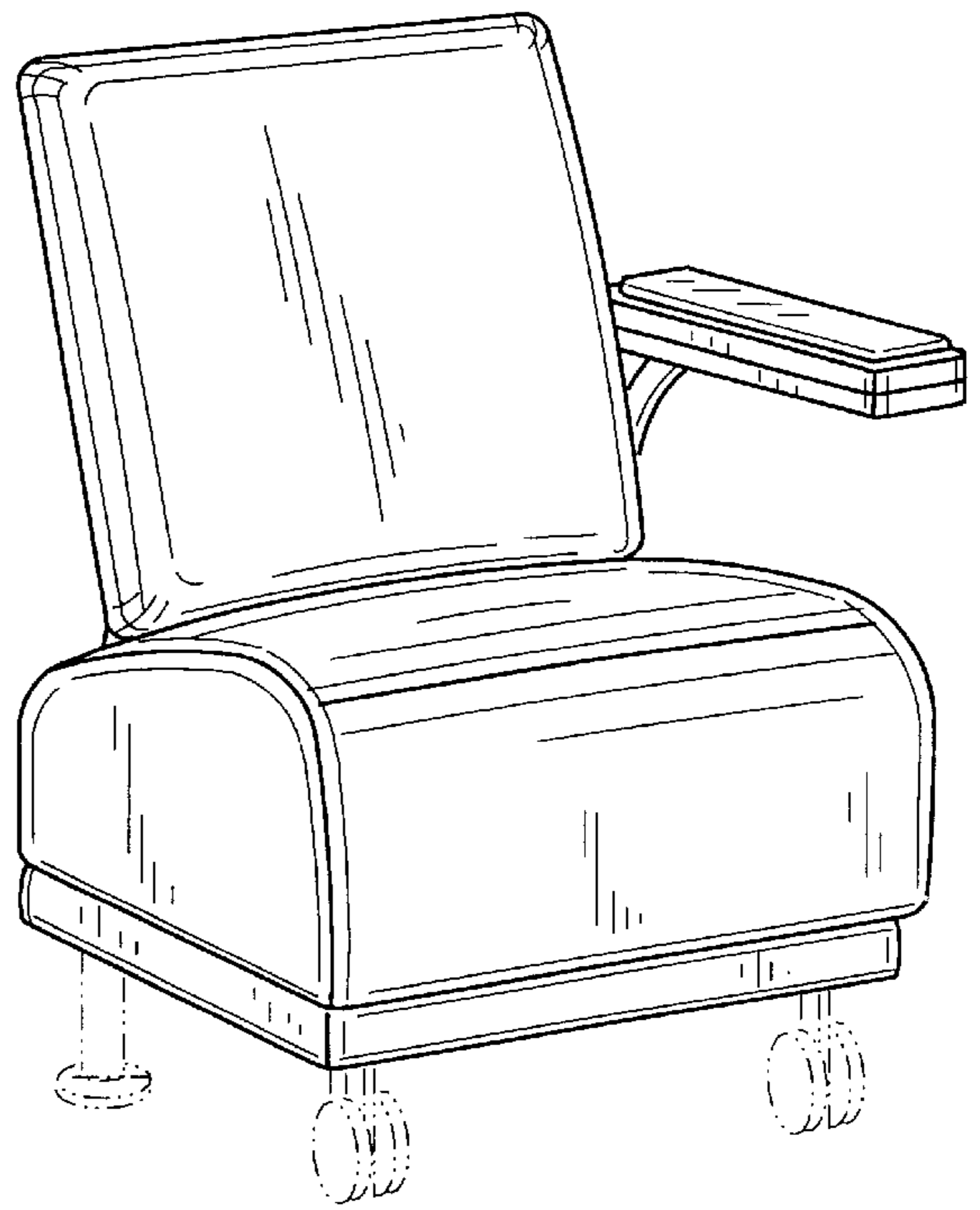


FIG. 2

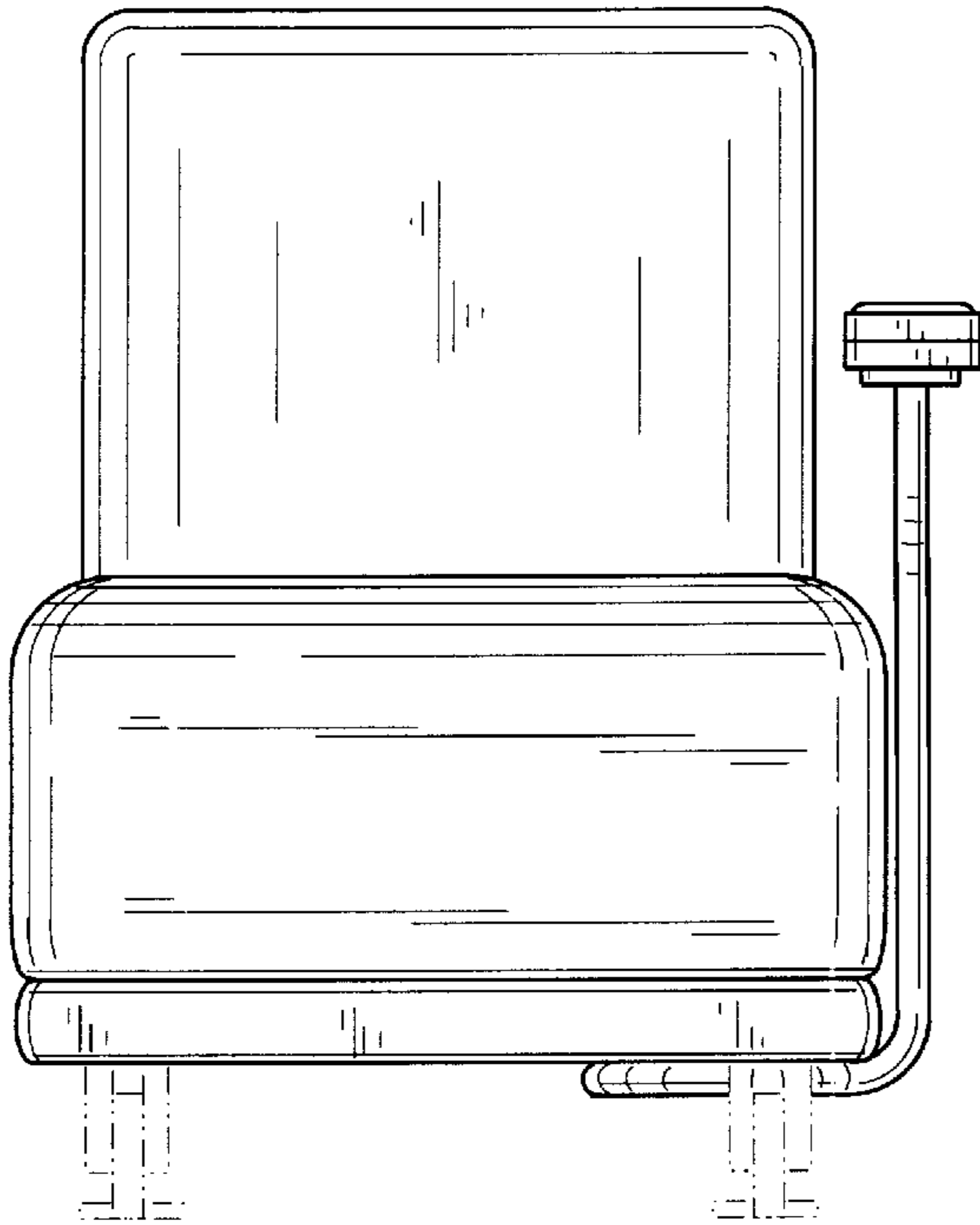
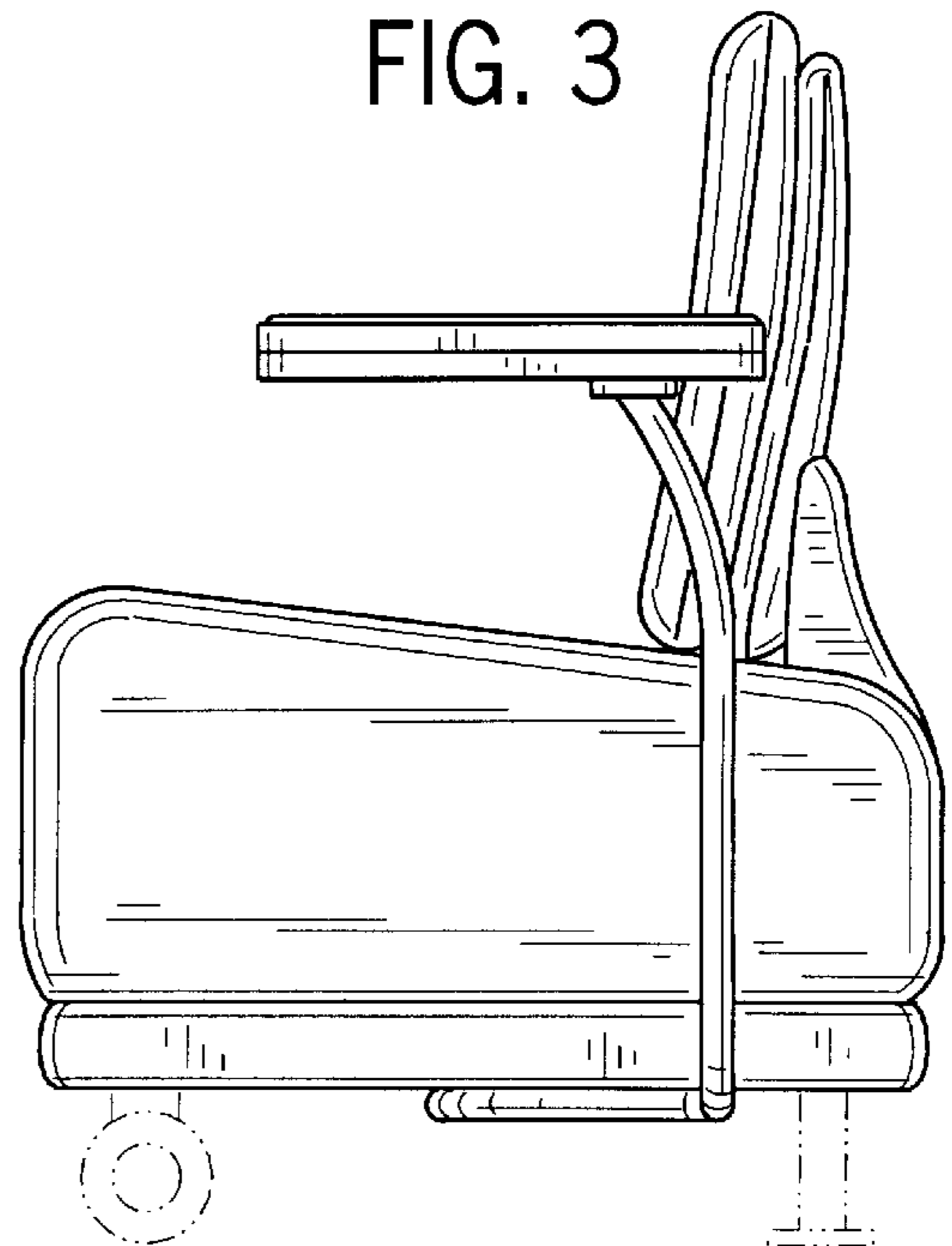


FIG. 3



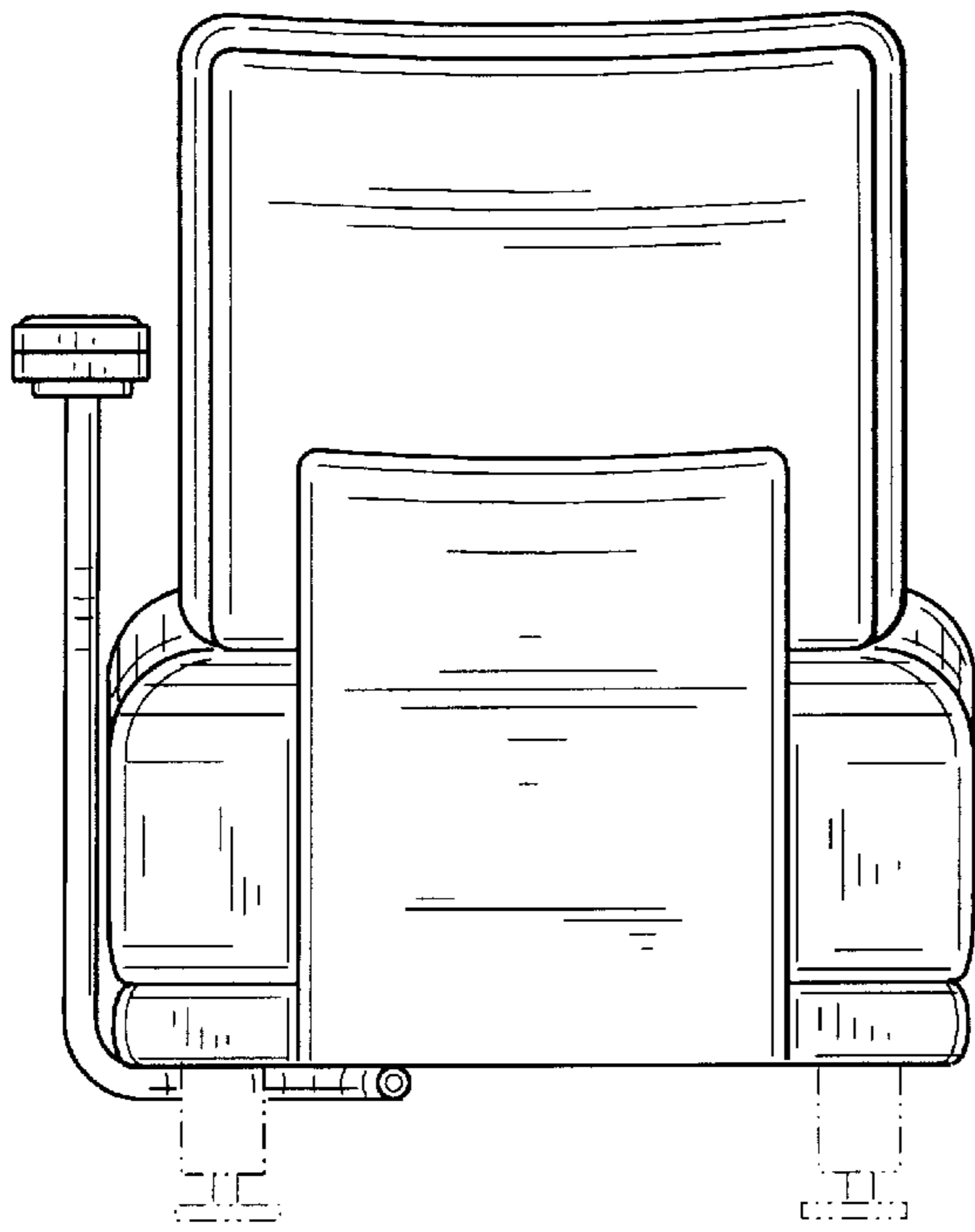


FIG. 4

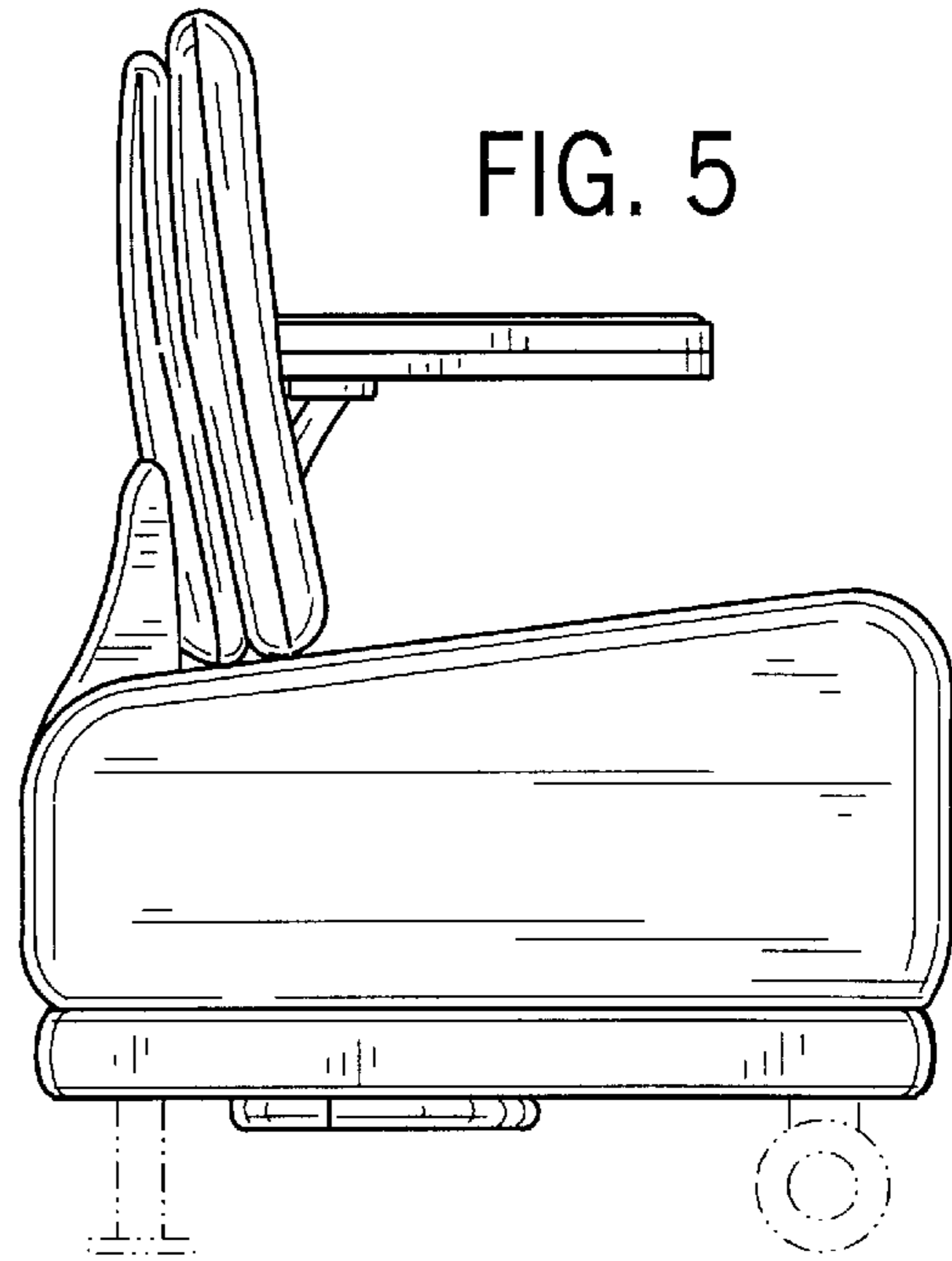


FIG. 5

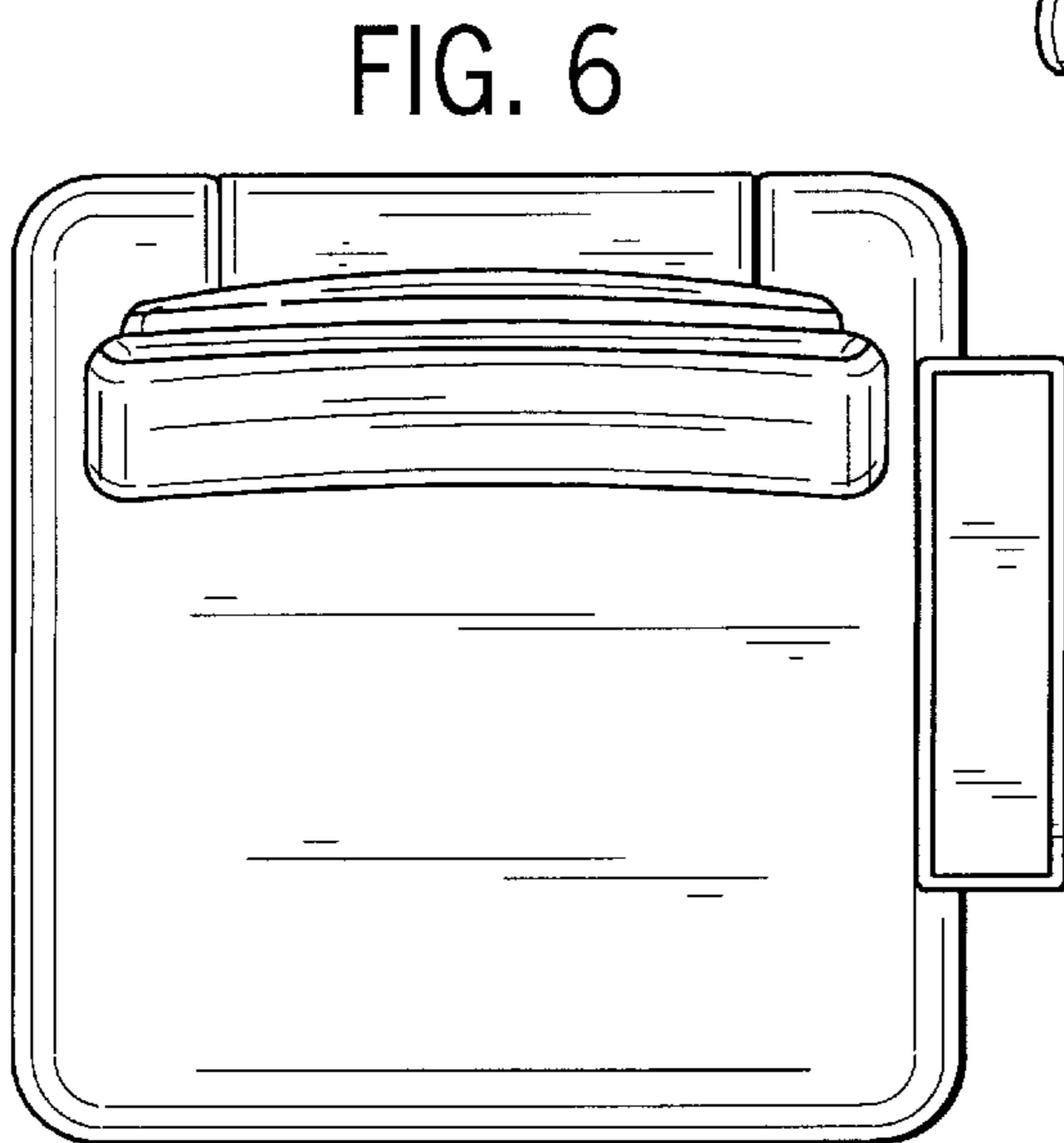


FIG. 6

FIG. 7

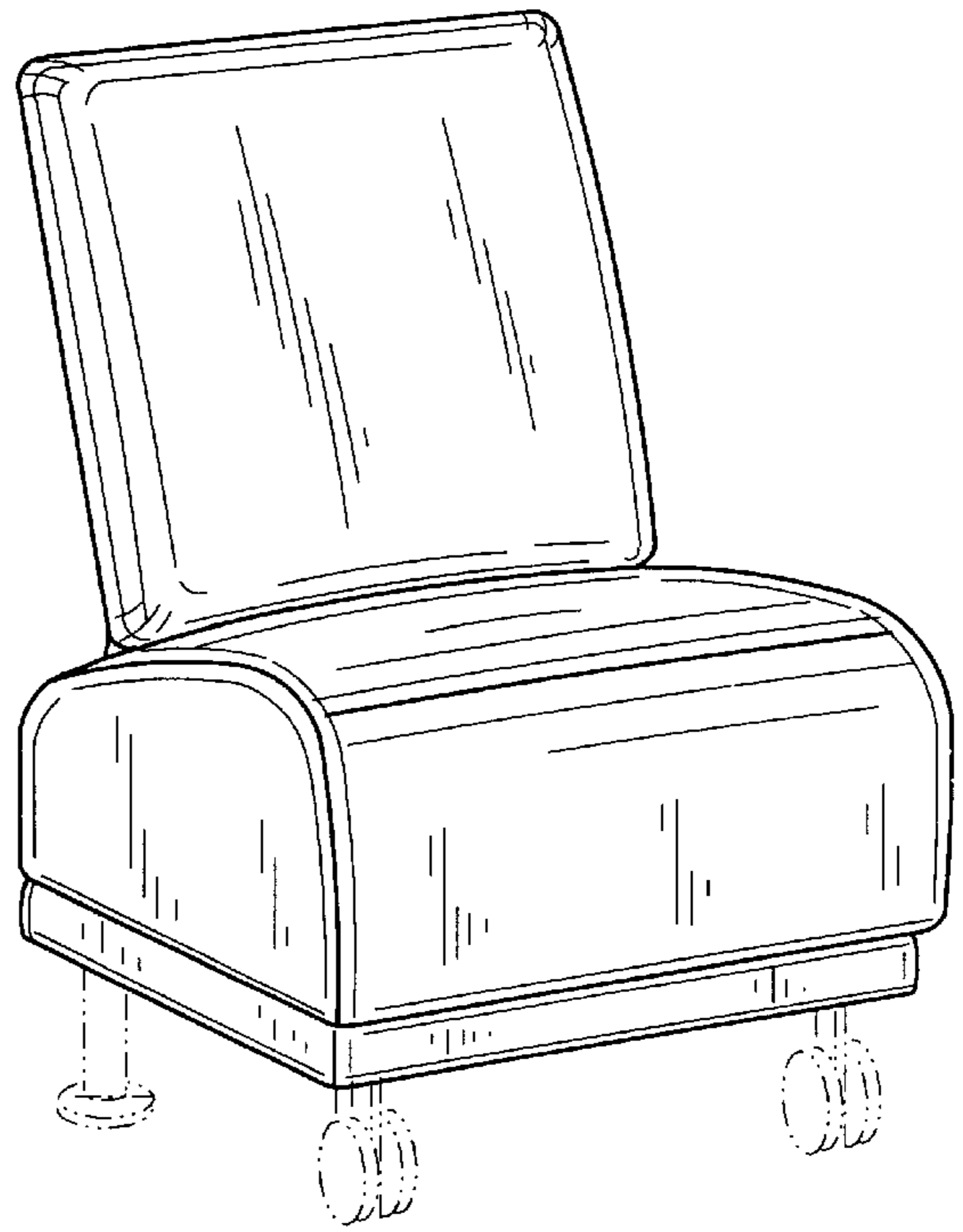


FIG. 8

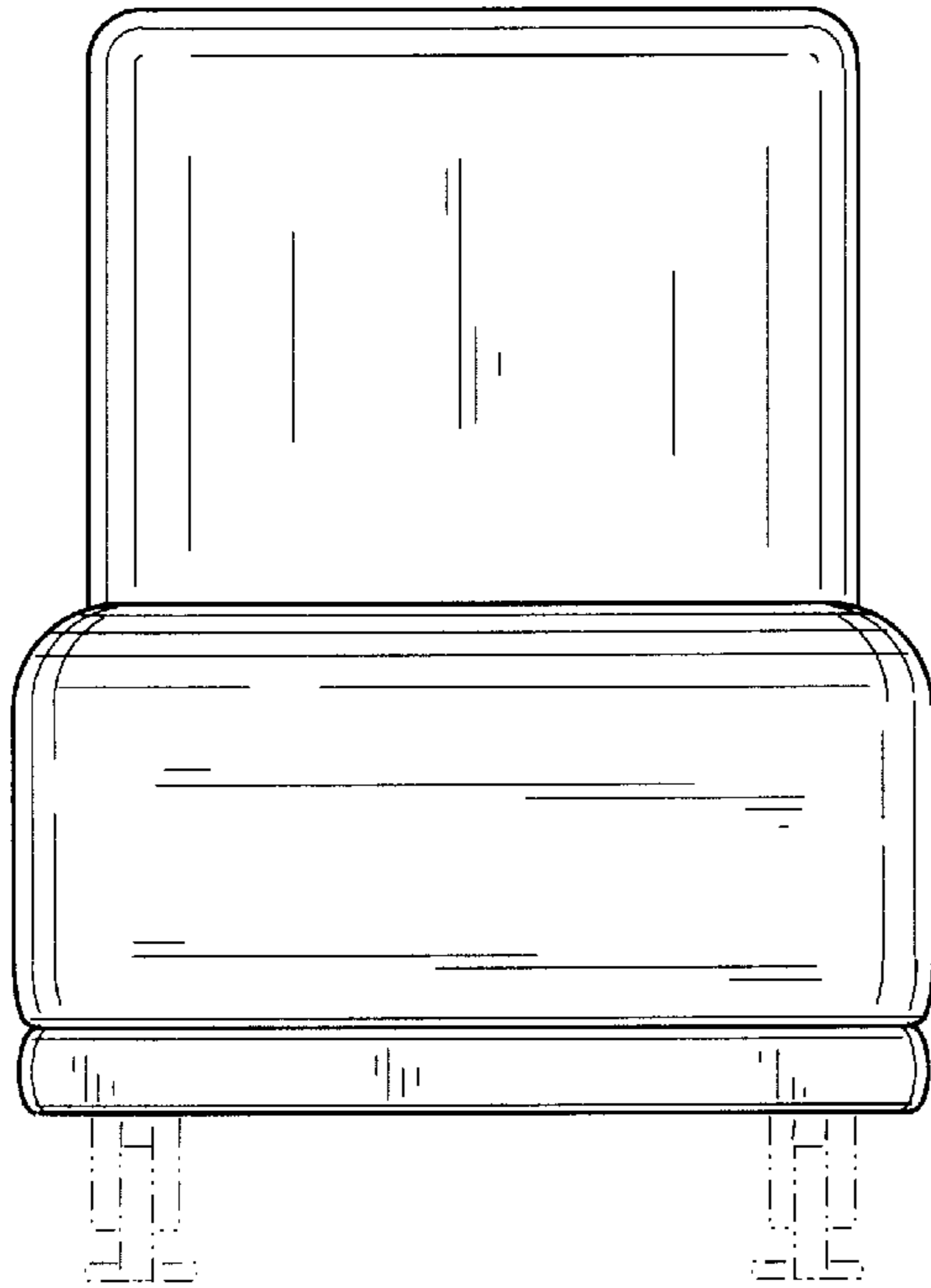


FIG. 9

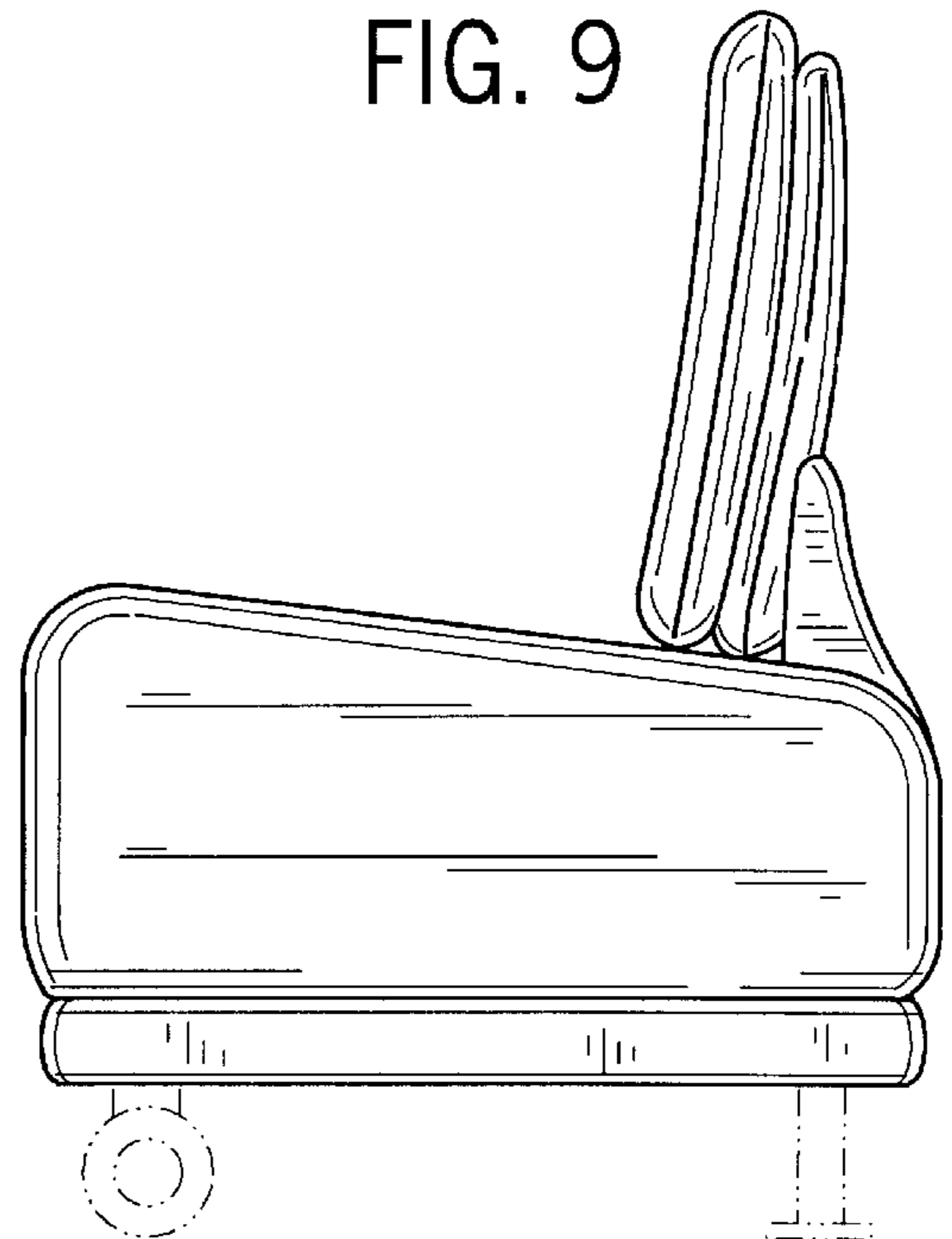


FIG. 10

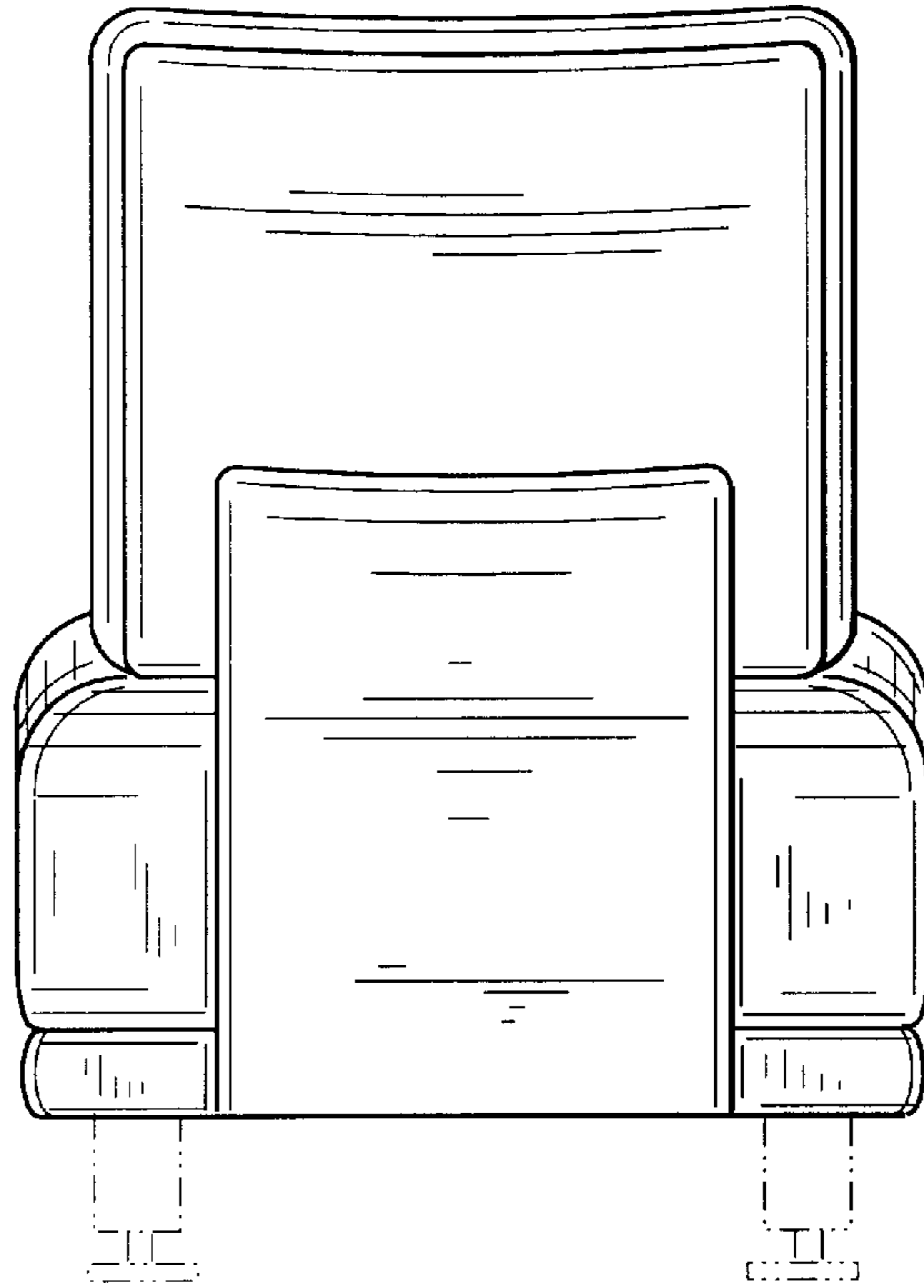


FIG. 11

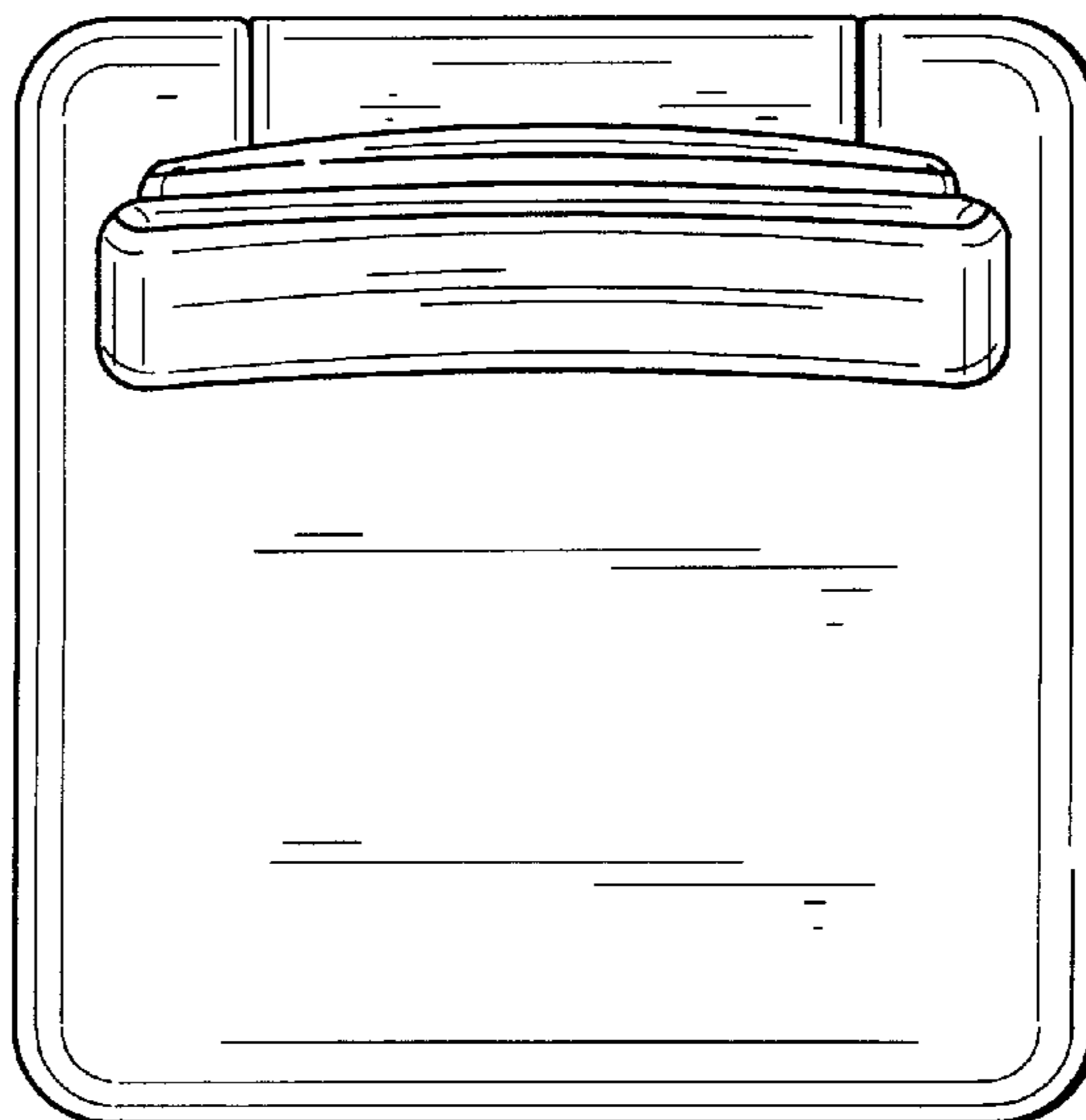


FIG. 12

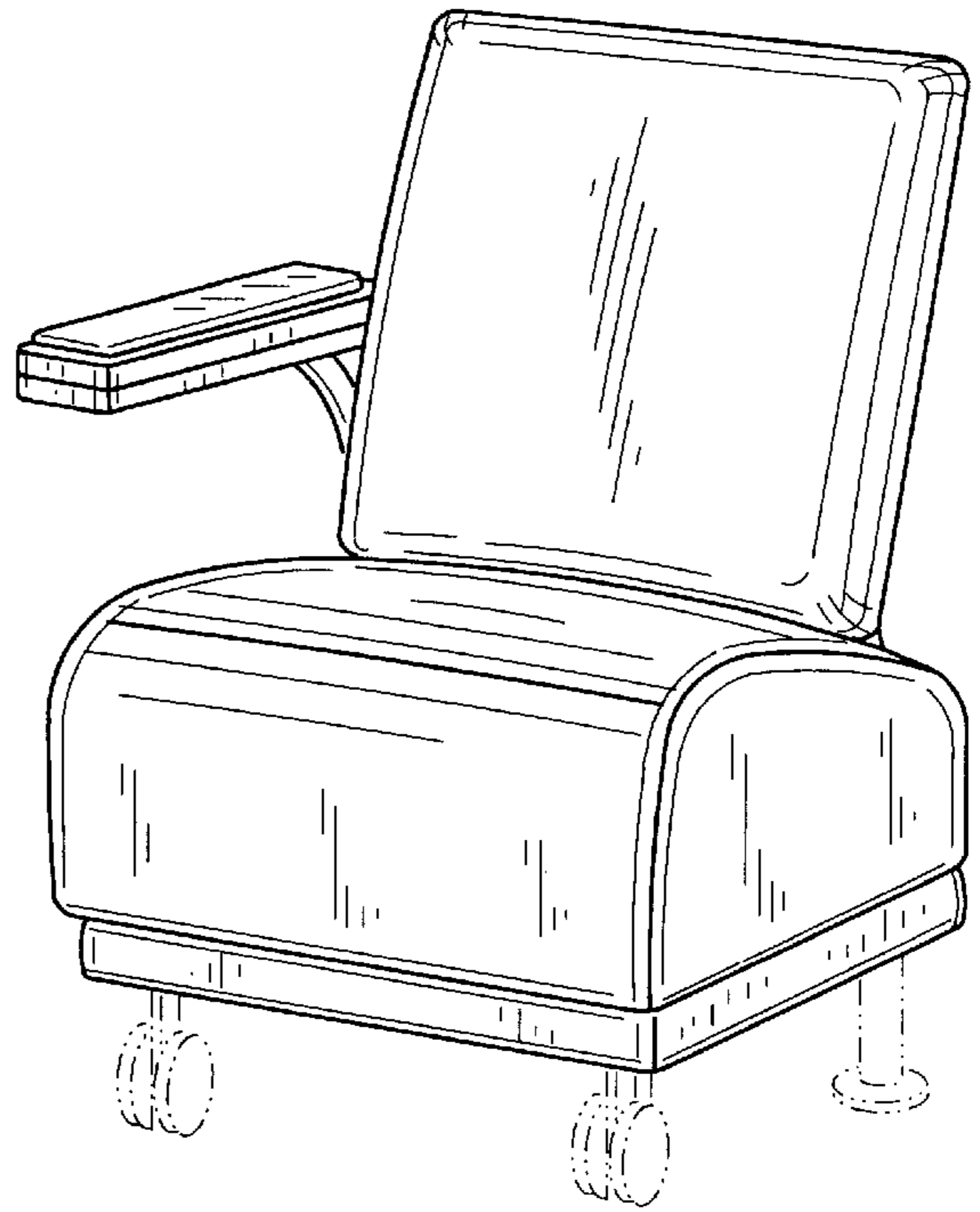


FIG. 13

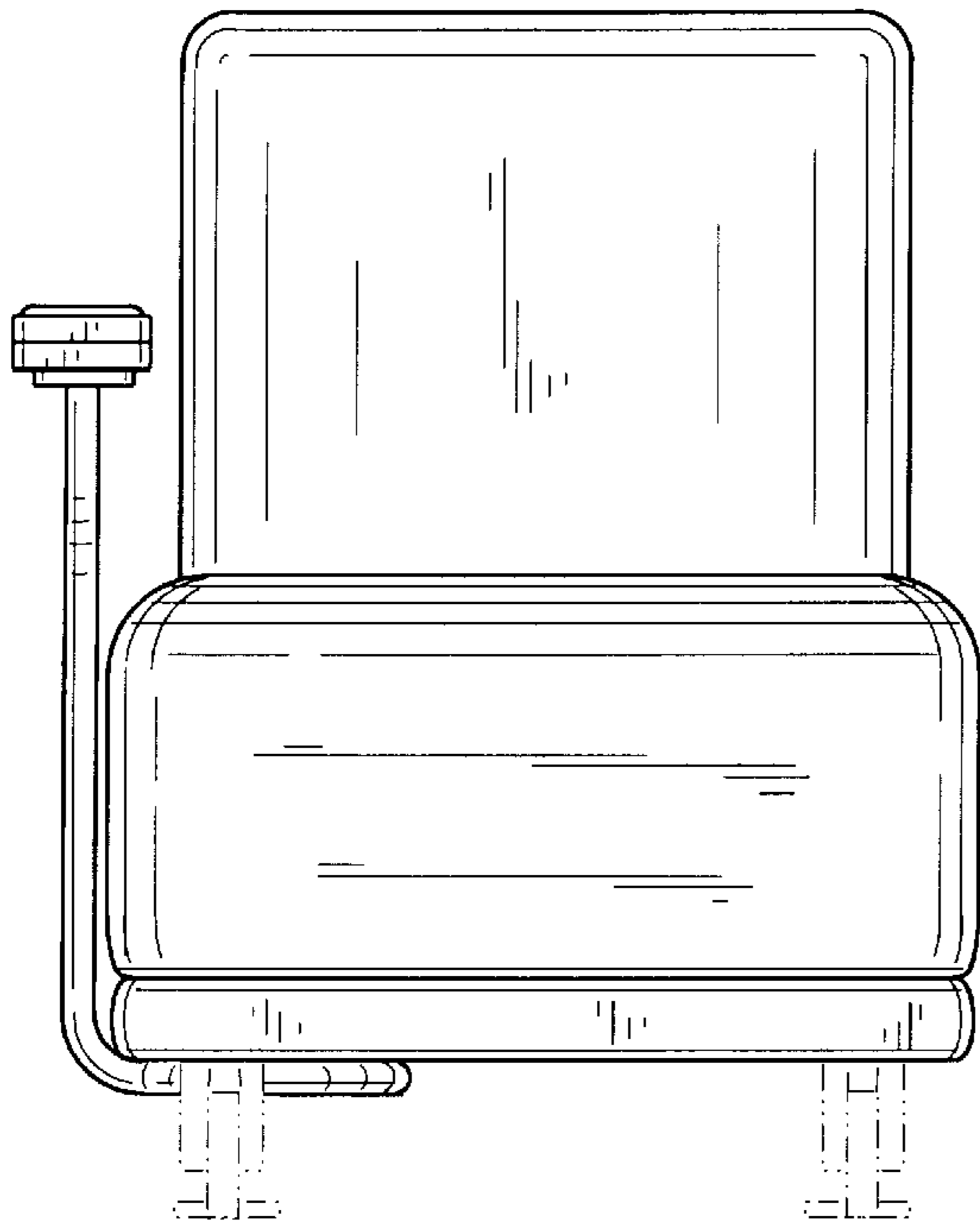
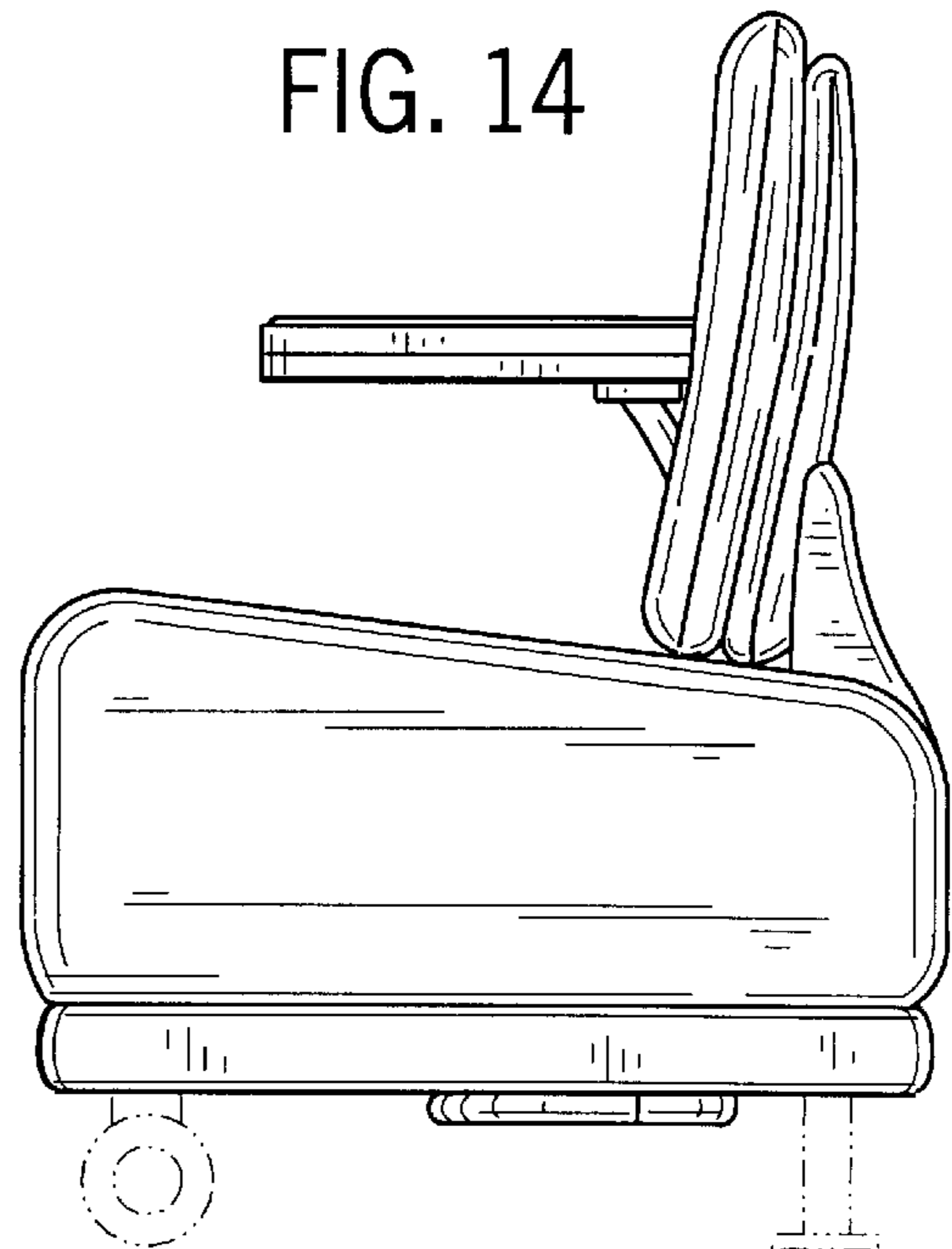


FIG. 14





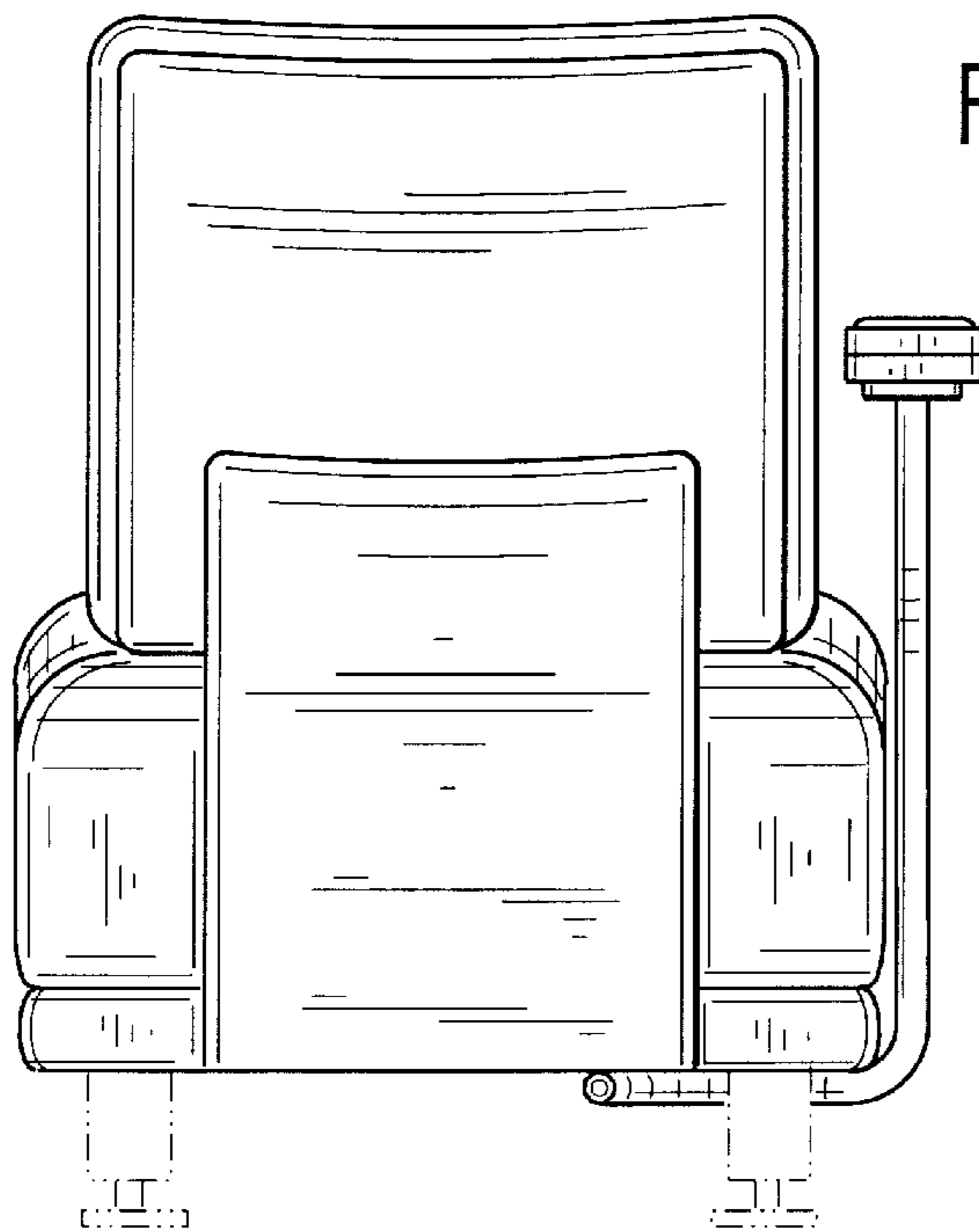


FIG. 15

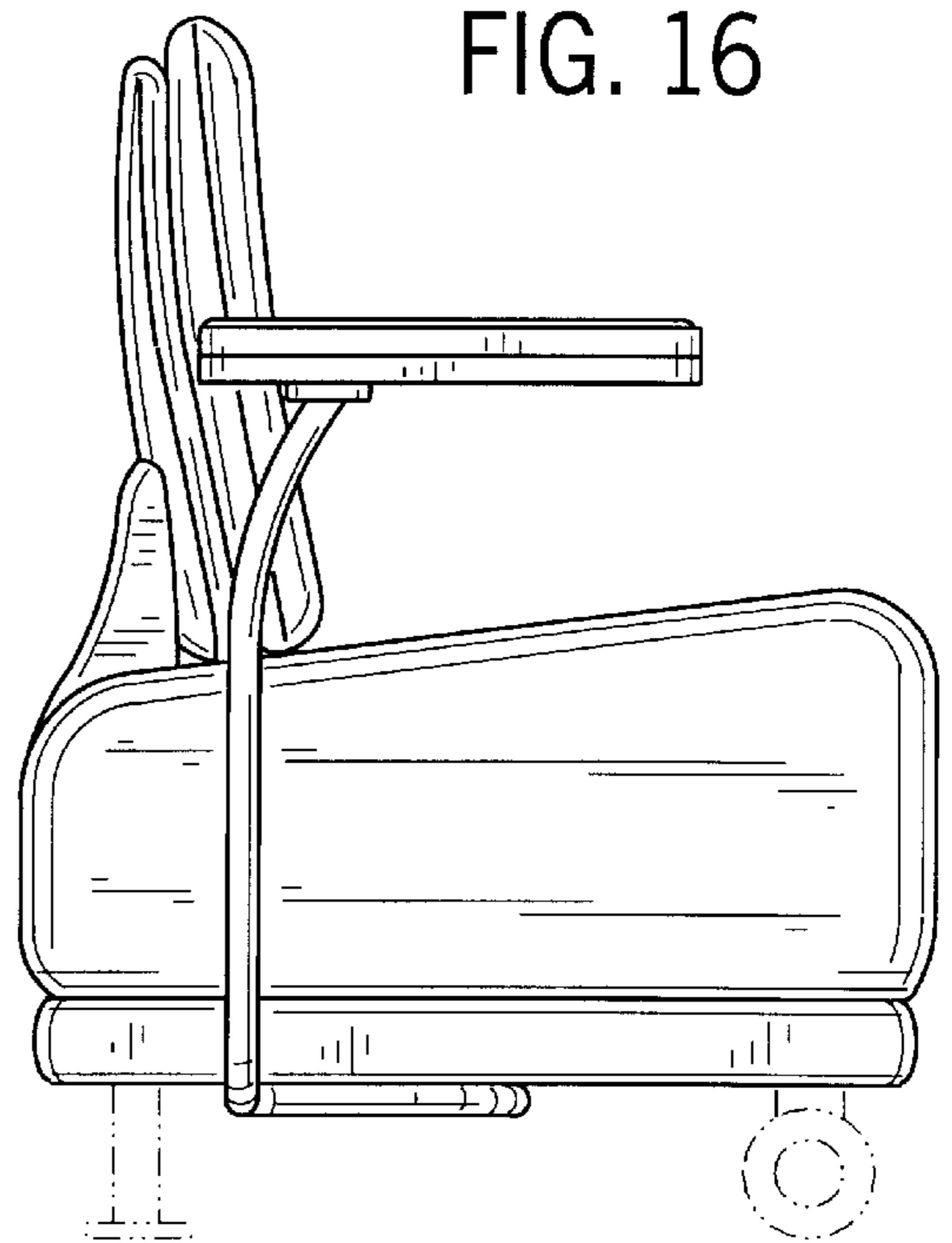


FIG. 16

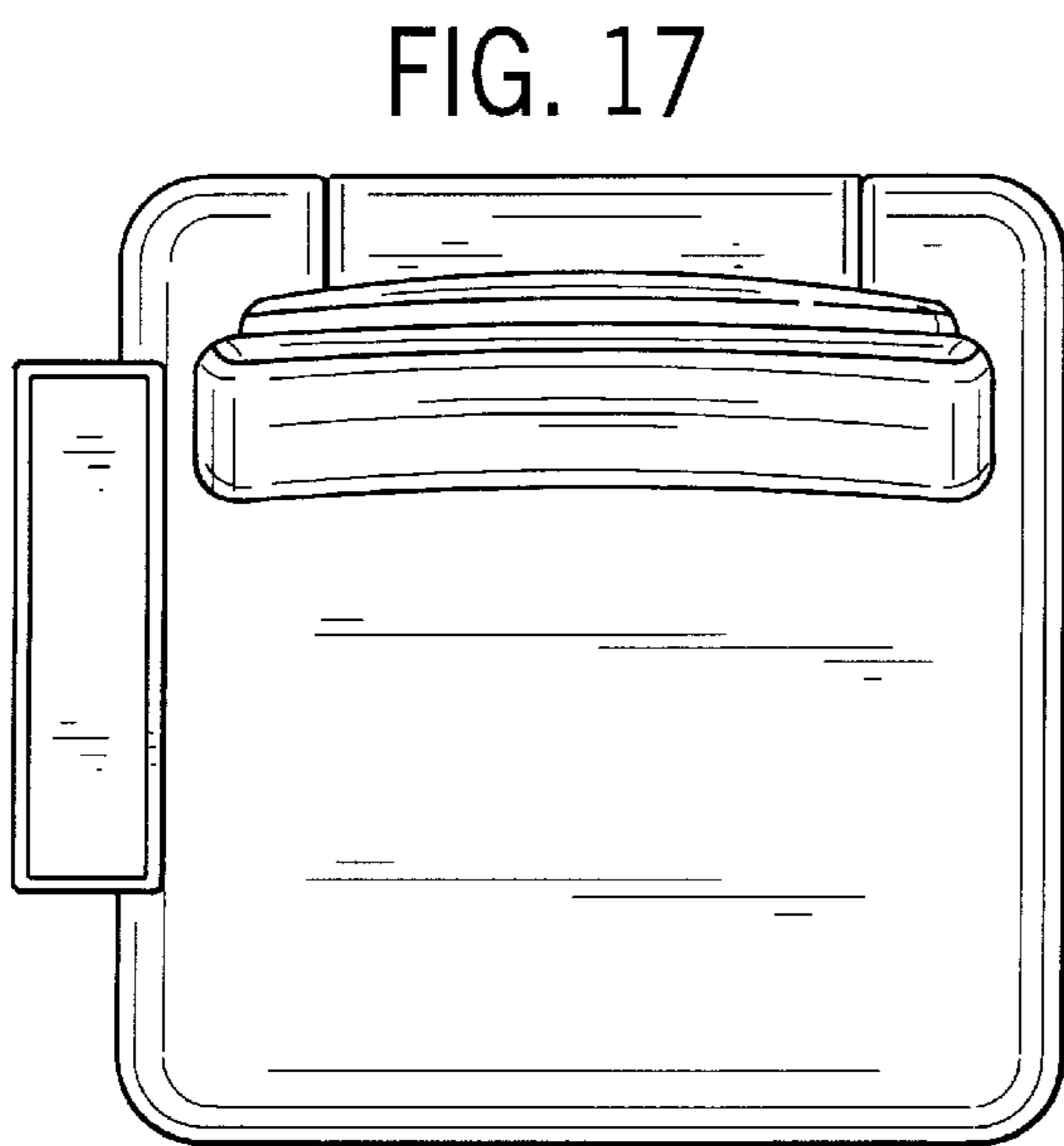


FIG. 17