



US00D433822S

United States Patent [19]
Sullivan

[11] **Patent Number: Des. 433,822**

[45] **Date of Patent: ** Nov. 21, 2000**

[54] **GARMENT HANGER**

[76] Inventor: **Scott L Sullivan**, 3 Garden Ridge,
Chappaqua, N.Y. 10514

[**] Term: **14 Years**

[21] Appl. No.: **29/118,523**

[22] Filed: **Feb. 10, 2000**

[51] **LOC (7) Cl.** **06-08**

[52] **U.S. Cl.** **D6/328; D6/326**

[58] **Field of Search** D6/315, 317-9,
D6/326, 328; 223/85, 87-96, DIG. 1, 4;
211/113, 119, 124

[56] **References Cited**

U.S. PATENT DOCUMENTS

D. 337,893	8/1993	Norman	D6/328
D. 423,235	4/2000	Bind et al.	D6/326
6,019,261	2/2000	Morgan et al.	223/96
6,050,461	4/2000	Batts et al.	223/96

Primary Examiner—B. J. Bullock
Attorney, Agent, or Firm—Darby & Darby

[57] **CLAIM**

The ornamental design for a garment hanger, as shown and described.

DESCRIPTION

FIG. 1 is a perspective view of a garment hanger showing my new design;
 FIG. 2 is a front view of the garment hanger shown in FIG. 1;
 FIG. 3 is a right side view of the garment hanger shown in FIG. 1;
 FIG. 4 is a rear view of the garment hanger shown in FIG. 1;
 FIG. 5 is a left side view of the garment hanger shown in FIG. 1;
 FIG. 6 is a bottom view of the garment hanger shown in FIG. 1; and,
 FIG. 7 is a top view of the garment hanger shown in FIG. 1.
 The broken lines are for illustrative purposes only and form no part of the claimed design.
 The hanger bar is shown broken away to indicate indeterminate length.

1 Claim, 4 Drawing Sheets

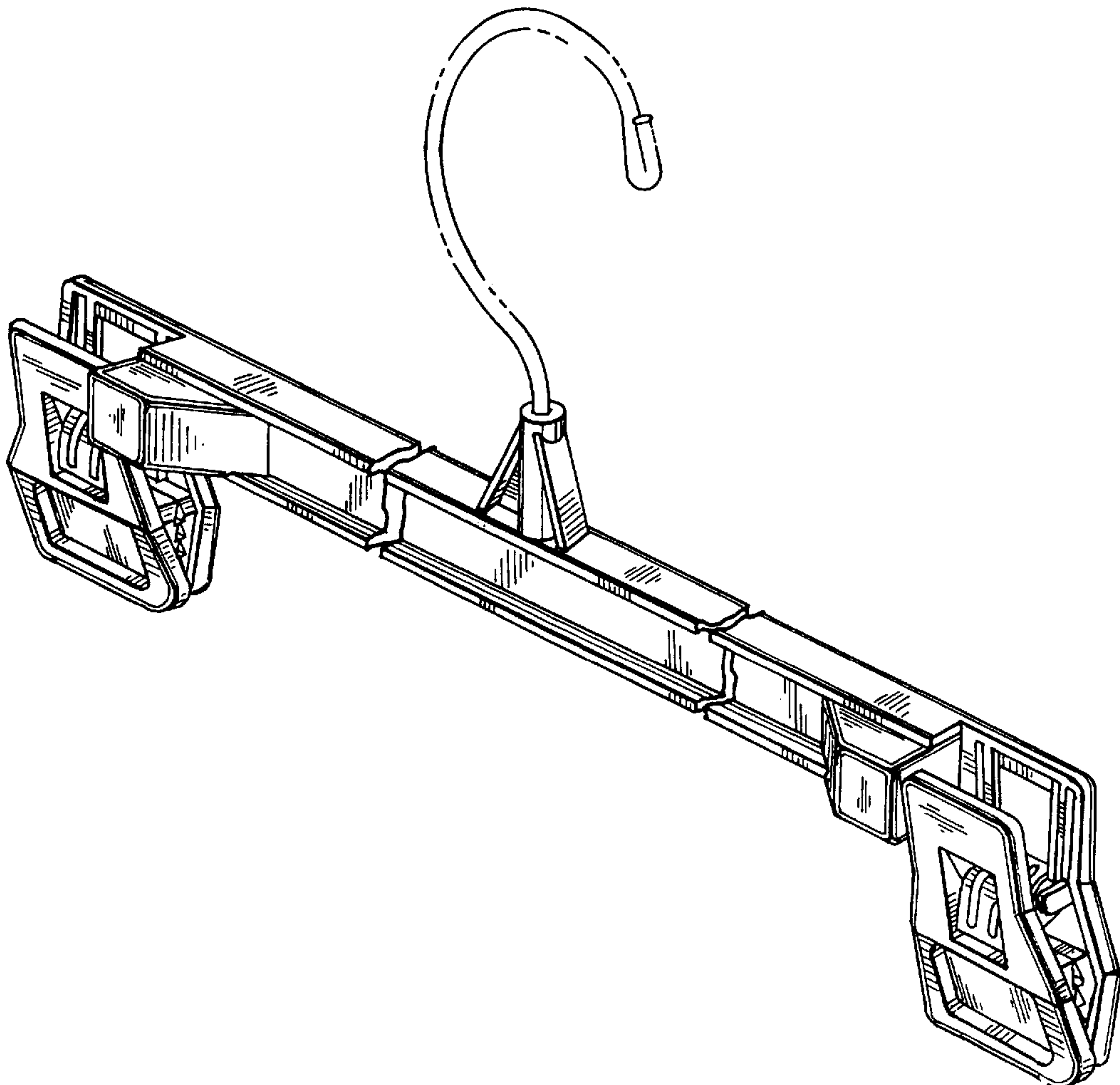
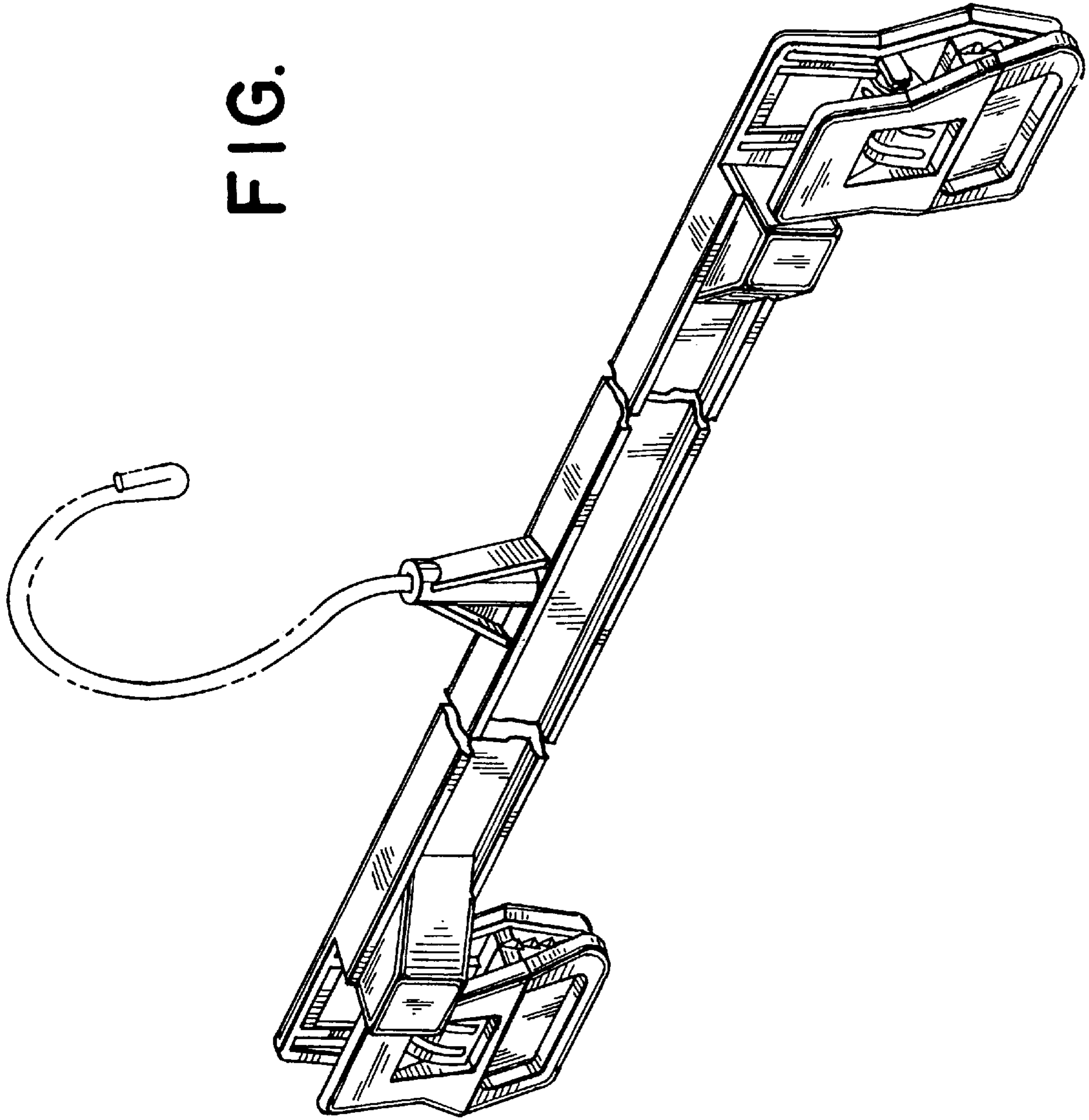


FIG. 1



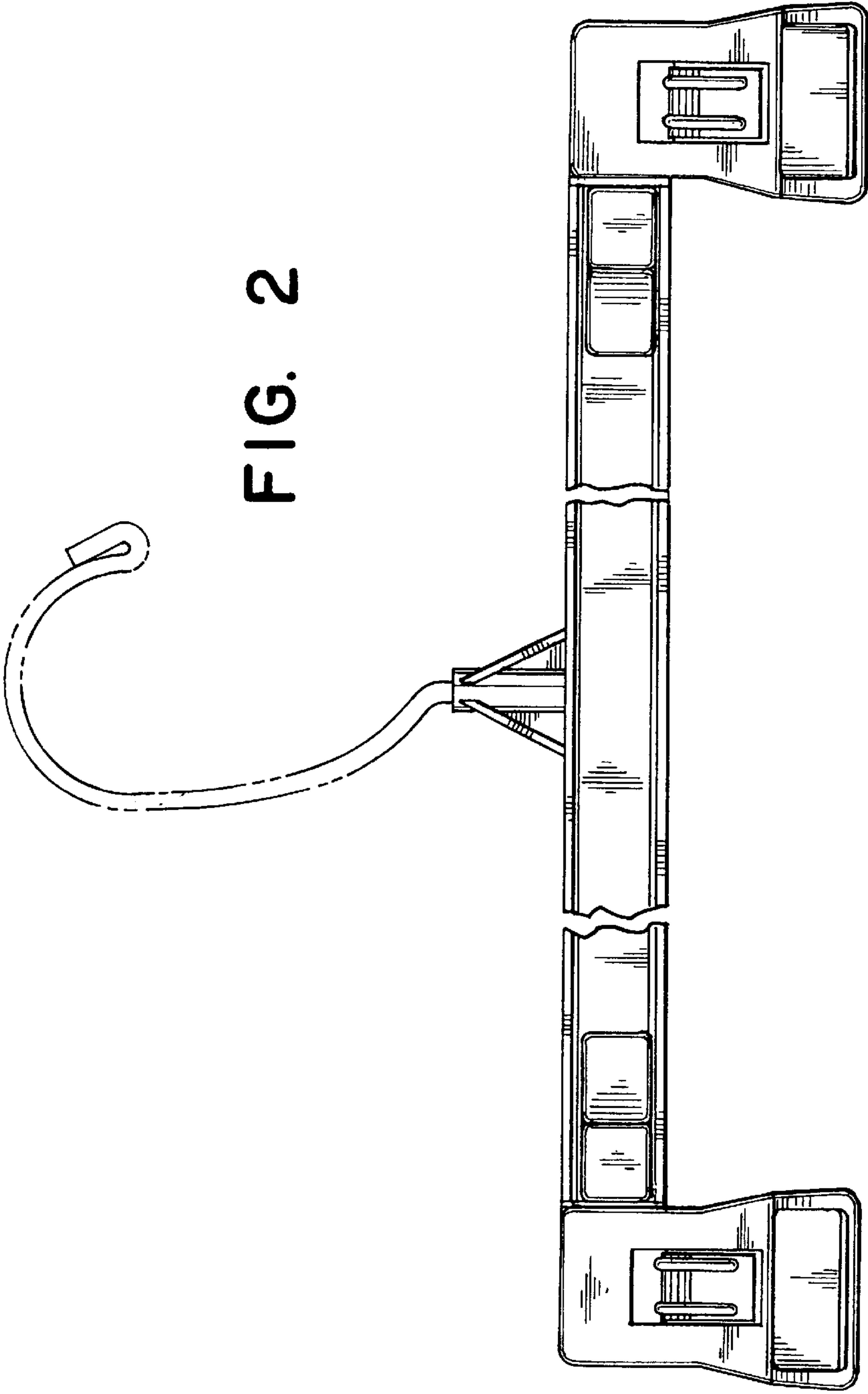


FIG. 2

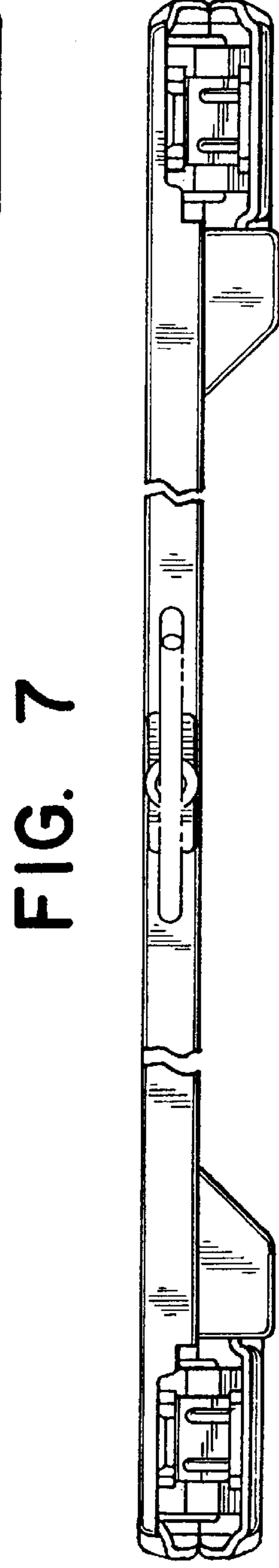


FIG. 7

FIG. 6

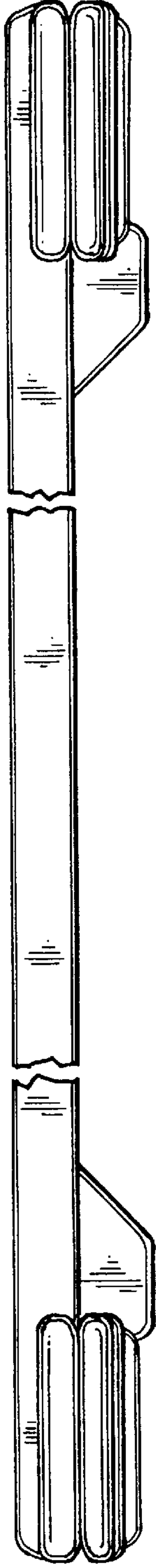


FIG. 5

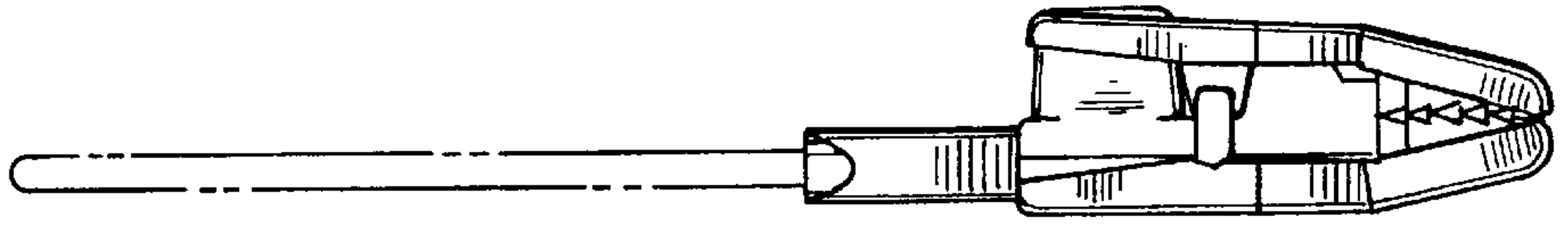


FIG. 3

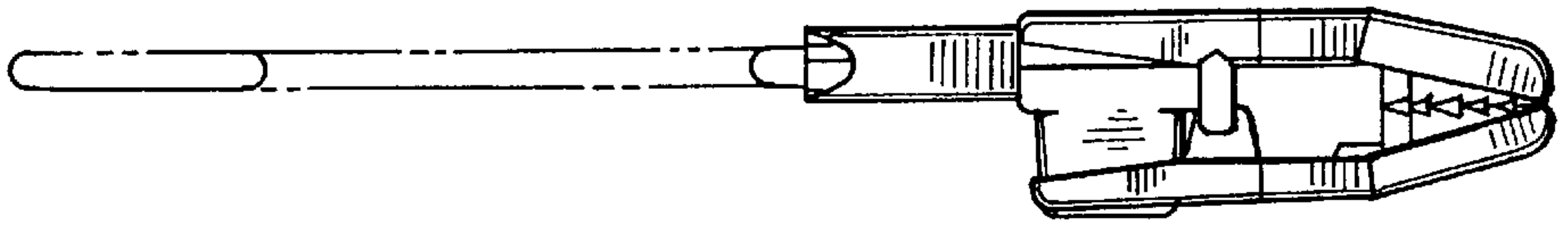


FIG. 4

